

BREDA

24" FRONT LOAD WASHING MACHINE



LUWM71200

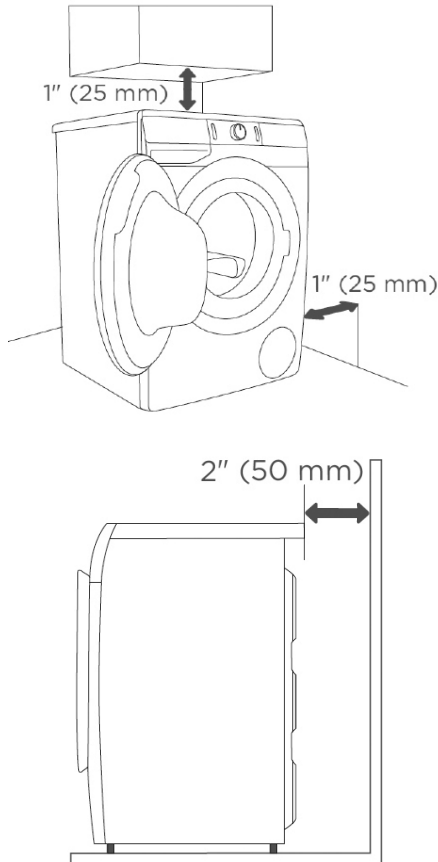


Features

- Stainless Steel Interior Tub
- 2.3 CuFt Capacity
- 17.6 Lbs Load Capacity
- Brushless DC Motor
- 220V Power Plug (Plugs into dryer)
- 16 Wash Programs
- 4 Auxiliary Functions
- Energy Star
- 2 Year Full Parts + Labor Warranty

Dimensions:

- Height: 33.5"
- Width: 23.5"
- Depth: 21.5" - Machine Depth
22.75" - Door Closed
41.75" - Door Open



FEATURES	
Capacity cu. ft.	2.3
Load Capacity	15.4 lbs / 7 kg
Drum Material	Stainless Steel
Controls	Electronic
Number of Programs	16 Programs: Auto Wash, Allergy Care Hot, Heavy Duty (Ex. Hot Hot, Warm, Cold), Spin + Drain, Rinsing, Sanitize, Tub, Cotton (Ext. Hot, Hot, Warm, Cold), Mixed Warm, Down Wear Warm & Active Wear Warm
Auxiliary Functions	NormalCare, EcoCare & TimeCare, Water+, Prewash
RPM	1200
Motor	Brushless
Time Delay	Yes
Child Lock	Yes
Clean Pump Filter Indicator	Yes
Adjustable Feet	Yes
Stacking Kit	Included
TECHNICAL	
Energy Star Qualified	Yes
RoHs compliant	Yes
Height	33 1/2" (850 mm)
Width	23 1/2" (600 mm)
Depth	21 1/2" (545 mm) - Machine Depth 22 3/4" (577 mm) - Door Closed 41 3/4" (1062 mm) - Door Open
Weight	149 lbs / 69 kg
Electrical connection:	Power Plug (Plugs into dryer)
Electric current supply	208-240 V / 60 Hz