

24" Compact Washer

300 Series – WAT28400UC



WAT28400UC
White

The 300 series washer is a perfect companion piece to the 300 series dryer, matching in quality, performance and design.

Features & Benefits

SpeedPerfect™ provides up to 40% faster washing time*.

EcoSilence™ motor delivers quiet, efficient & long lasting performance.

Wash up to 16 towels in one load.

*As compared to Perm Press Heavy Soil cycle without SpeedPerfect™



General Properties

| | |
|--------------------------------|-------------------------------------|
| Drum material | Stainless Steel |
| Maximum spin speed (rpm) | 1,400 |
| Interior light | No |
| Leak protection systems | Reinforced Hose |
| Internal water heater | Yes |
| Stackable | Yes |
| Silence level – washing (dBA) | 54 |
| Silence level – spinning (dBA) | 73 |
| Programs (No.), [Special] | (15), [Allergen, Jeans, Heavy Duty] |
| Options (No.), [Special] | (6), [SpeedPerfect™, PreWash] |
| Energy consumption (kWh/yr) | 84 |
| Water consumption (gal/yr) | 2,320 |
| ENERGY STAR® qualified | Yes |

Capacity

| | |
|--------------------|----------------|
| Capacity (cu. ft.) | 2.2 |
| Relative load | 16 bath towels |

Design Elements

| | |
|--------------------------|-------|
| Door ring | White |
| Control type | Touch |
| Dial | White |
| Bosch logo on door glass | No |



Technical Details

| | |
|------------------------|--|
| Watts (W) | 2,300 |
| Circuit breaker (A) | 20 (if plugged into an individual circuit) |
| Volts (V) | 208/220-240 |
| Current (A) | 12 |
| Frequency (Hz) | 60 |
| Plug type | 240V; NEMA 6-15 (3 prong) |
| Power cord included | Yes |
| Power cord length (in) | 63 (Full Length) |
| Drain hose length (in) | 57 (Full Length) |
| Inlet hose length (in) | 47 (Full Length) |
| Door hinge | Left Side (Not Reversible) |

Dimensions & Weight

| | |
|---|-----------------------------|
| Overall appliance dimensions (HxWxD) (in) | 33 1/4" x 23 1/2" x 24 1/4" |
| Net weight (lbs) | 158 |
| Minimum stack height (in) | 67 3/4" |

ADA compliance
 – Meets ADA height and access requirements *when installed on pedestal.*
 – Meets ADA operable parts requirements for controls and detergent dispenser.

Accessories—Optional



WMZ20490
Pedestal

For help and assistance with Bosch accessories please visit: www.bosch-eshop.com/eshop/bosch/us or call 1-800-944-2904 Mon-Fri 5am to 6pm PST Sat 6am to 3pm PST

Notes: All height, width and depth dimensions are shown in inches. BSH reserves the absolute and unrestricted right to change product materials and specifications, at any time, without notice. Consult the product's installation instructions for final dimensional data and other details prior to making cutout. Applicable product warranty can be found in accompanying product literature or you may contact your account manager for further details.

Warranties: Bosch warrants that the Product is free from defects in materials and workmanship for a period of three hundred and sixty-five (365) days from the date of purchase. The foregoing timeline begins to run upon the date of purchase, and shall not be stalled, tolled, extended, or suspended, for any reason whatsoever. This Product is also warranted to be free from cosmetic defects in material and workmanship (such as scratches of stainless steel, paint/porcelain blemishes, chip, dents, or other damage) to the finish of the Product, for a period of thirty (30) days from the date of purchase or closing date for new construction. This cosmetic warranty excludes slight color variations due to inherent differences in painted and porcelain parts, as well as differences caused by kitchen lighting, product location, or other similar factors. This cosmetic warranty specifically excludes any display, floor, "As Is", or "B" stock appliances.

For more information on our entire line of products, go to www.bosch-home.com/us or call 1-800-944-2904

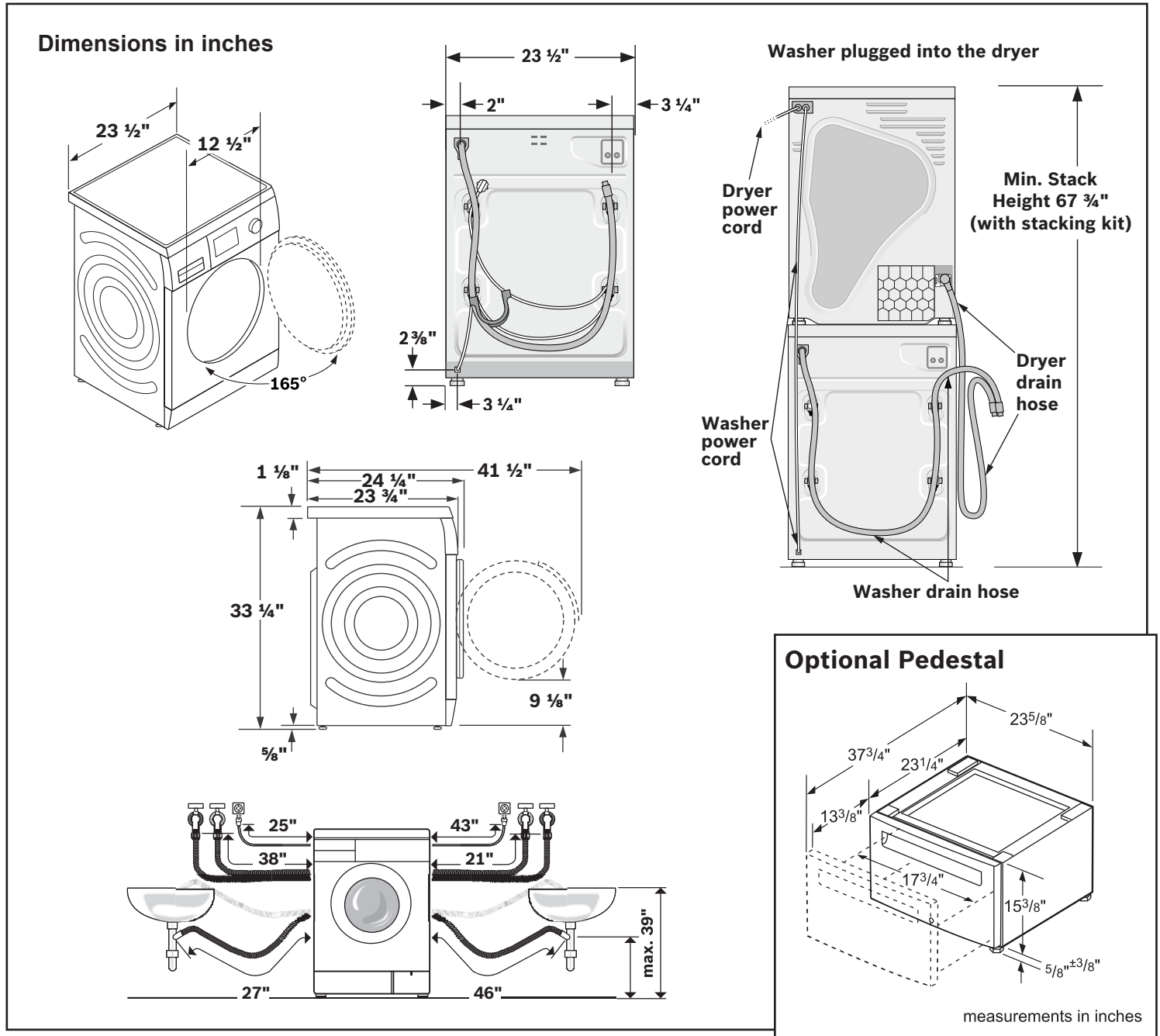
© BSH Home Appliances Corporation. All rights reserved. Bosch is a registered trademark of Robert Bosch GmbH.

24" Compact Washer

300 Series – WAT28400UC



Installation Details



For help and assistance with Bosch accessories please visit: www.bosch-eshop.com/eshop/bosch/us or call 1-800-944-2904 Mon-Fri 5am to 6pm PST Sat 6am to 3pm PST

Notes: All height, width and depth dimensions are shown in inches. BSH reserves the absolute and unrestricted right to change product materials and specifications, at any time, without notice. Consult the product's installation instructions for final dimensional data and other details prior to making cutout. Applicable product warranty can be found in accompanying product literature or you may contact your account manager for further details.

Warranties: Bosch warrants that the Product is free from defects in materials and workmanship for a period of three hundred and sixty-five (365) days from the date of purchase. The foregoing timeline begins to run upon the date of purchase, and shall not be stalled, tolled, extended, or suspended, for any reason whatsoever. This Product is also warranted to be free from cosmetic defects in material and workmanship (such as scratches of stainless steel, paint/porcelain blemishes, chip, dents, or other damage) to the finish of the Product, for a period of thirty (30) days from the date of purchase or closing date for new construction. This cosmetic warranty excludes slight color variations due to inherent differences in painted and porcelain parts, as well as differences caused by kitchen lighting, product location, or other similar factors. This cosmetic warranty specifically excludes any display, floor, "As Is", or "B" stock appliances.

For more information on our entire line of products, go to www.bosch-home.com/us or call 1-800-944-2904

© BSH Home Appliances Corporation. All rights reserved. Bosch is a registered trademark of Robert Bosch GmbH.

24" Compact Washer

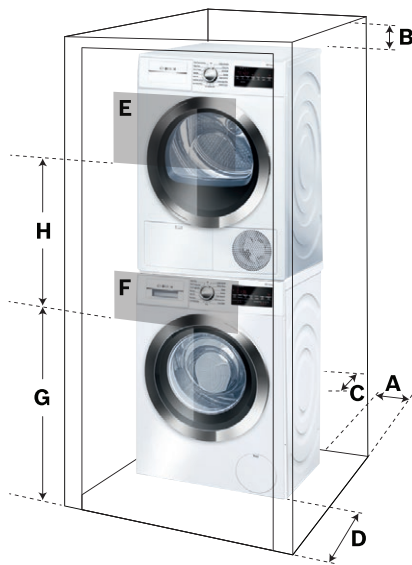
300 Series – WAT28400UC



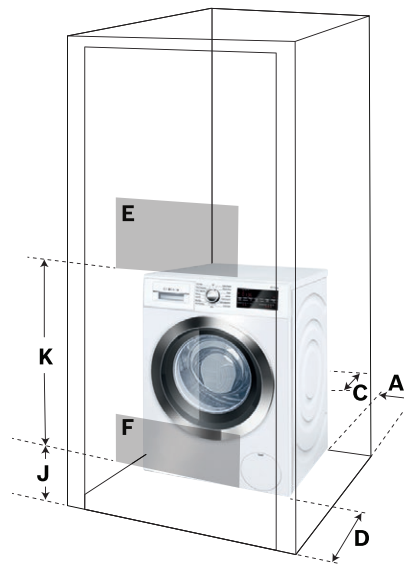
Installation Details

Enclosure Dimensions

Closet: Stacked



Closet: Stand Alone (shown) or Side by Side



Clearance requirements (Minimum)

| | |
|--------------|-----------|
| A Both Sides | 5/8 in. |
| B Top | 6 1/4 in. |
| C Rear | 2 1/2 in. |
| D Front | 2 1/2 in. |

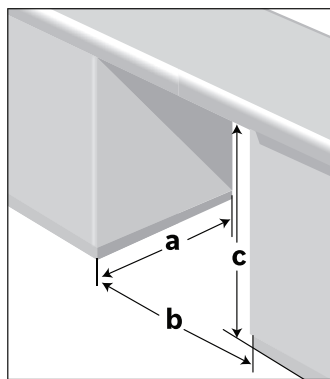
Ventilation Area (Minimum)

| | |
|----------|------------|
| E Top | 63 sq. in. |
| F Bottom | 63 sq. in. |

Vent Spacing

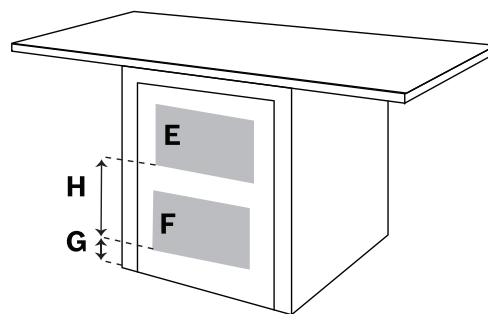
| | |
|---|--------|
| G | 37 in. |
| H | 26 in. |
| J | 3 in. |
| K | 29 in. |

Under Counter: (Preferred)



Front of the appliance fully open. No doors or coverings.

Under Counter: (Less Preferred)



If the front of the appliance is covered, ventilation openings must be installed as shown and front/rear clearances adhered to according to closet installations.

Minimum opening dimensions

| | |
|---|------------|
| a | 28 in. |
| b | 23 7/8 in. |
| c | 34 1/2 in. |

E & F are minimum area sizes

| | |
|---|------------|
| E | 63 sq. in. |
| F | 63 sq. in. |

G & H actual spacing dimensions for min. open area sizes

| | |
|---|--------|
| G | 3 in. |
| H | 14 in. |

For help and assistance with Bosch accessories please visit: www.bosch-eshop.com/eshop/bosch/us or call 1-800-944-2904 Mon-Fri 5am to 6pm PST Sat 6am to 3pm PST

Notes: All height, width and depth dimensions are shown in inches. BSH reserves the absolute and unrestricted right to change product materials and specifications, at any time, without notice. Consult the product's installation instructions for final dimensional data and other details prior to making cutout. Applicable product warranty can be found in accompanying product literature or you may contact your account manager for further details.

Warranties: Bosch warrants that the Product is free from defects in materials and workmanship for a period of three hundred and sixty-five (365) days from the date of purchase. The foregoing timeline begins to run upon the date of purchase, and shall not be stalled, tolled, extended, or suspended, for any reason whatsoever. This Product is also warranted to be free from cosmetic defects in material and workmanship (such as scratches of stainless steel, paint/porcelain blemishes, chip, dents, or other damage) to the finish of the Product, for a period of thirty (30) days from the date of purchase or closing date for new construction. This cosmetic warranty excludes slight color variations due to inherent differences in painted and porcelain parts, as well as differences caused by kitchen lighting, product location, or other similar factors. This cosmetic warranty specifically excludes any display, floor, "As Is", or "B" stock appliances.

For more information on our entire line of products, go to www.bosch-home.com/us or call 1-800-944-2904

© BSH Home Appliances Corporation. All rights reserved. Bosch is a registered trademark of Robert Bosch GmbH.