

30" Under-Cabinet Wall Hood

500 Series – Stainless Steel DUH30252UC



BOSCH
Invented for life



DUH30252UC
Stainless Steel

Quickly and quietly clears the air of smoke and odors.

Features & Benefits

Allows you to adjust the performance of your hood to match the type of cooking.

Efficiently filters grease and other solid particles out of the extracted air.

Flexible design gives the ability to recirculate the air back into the kitchen.

General Properties

Operating mode	Convertible: ducted / recirculating
Maximum CFM (blower)	400 CFM
Number of speed settings	4-stage
Motor location	Integrated motor in hood body
Number of lights	2 (bulbs not included)
Bulb type	Halogen
Light lumens	380
Light color	2700 K
Total power of the lamps	100 W
Damper included	Yes
Grease filter material	Aluminum
Grease filter type	Multilayer cassette

Technical Details

Watts	345 W
Volts	120 V
Frequency	60 Hz
Plug type	No plug



Dimensions & Weight

Overall appliance dimensions (width of canopy included) (HxWxD)	5" x 30" x 20"
Minimum distance above cooktop / range cooking surface	Min. 24" Electric / Min. 30" Gas
Diameter of air duct top	7"
Diameter of air duct back	3 1/4" x 10" Rectangular
Net weight	42 lbs

Accessories – Optional

Replacement charcoal filter	DHZ3002UC
-----------------------------	-----------

Accessories: To purchase Bosch accessories, cleaners & parts please visit www.bosch-home.com/us/store or call 1-800-944-2904 (Mon to Fri 5 am to 6 pm PST, Sat 6 am to 3 pm PST).

Notes: All height, width and depth dimensions are shown in inches. BSH reserves the absolute and unrestricted right to change product materials and specifications, at any time, without notice. Consult the product's installation instructions for final dimensional data and other details prior to making cutout.

Warranties: Please see Use & Care manual or Bosch website for statement of limited warranty.

For more information on our entire line of products, go to www.bosch-home.com/us or call 1-800-944-2904

© BSH Home Appliances Corporation. All rights reserved. Bosch is a registered trademark of Robert Bosch GmbH.

30" Under-Cabinet Wall Hood

500 Series – Stainless Steel DUH30252UC



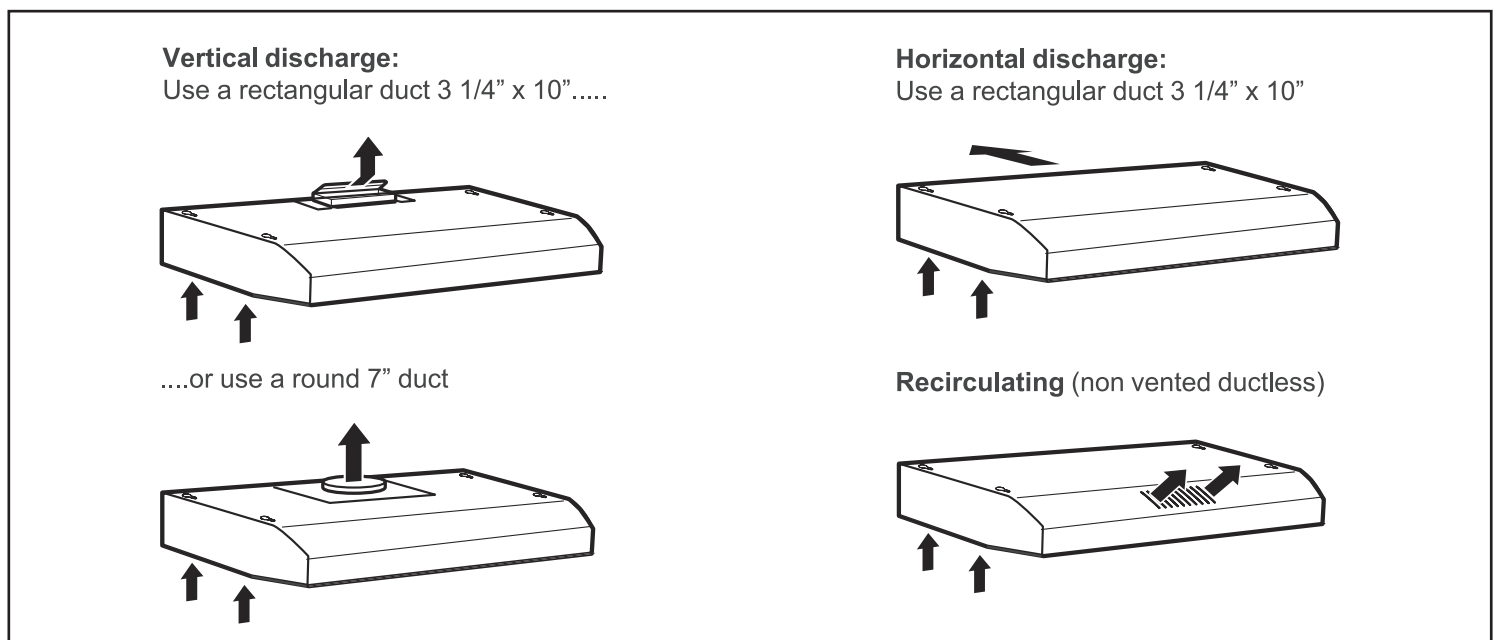
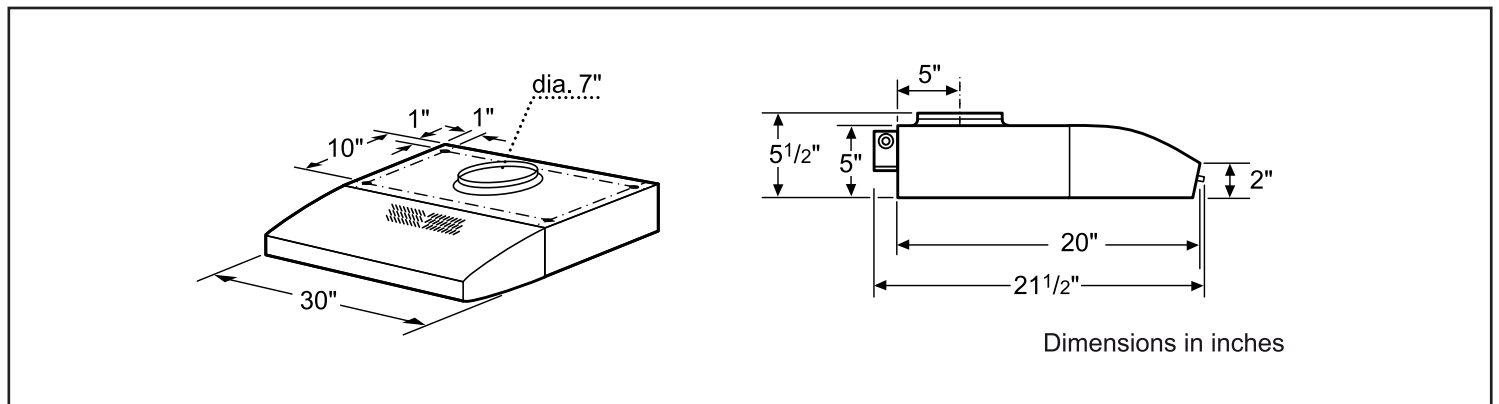
BOSCH
Invented for life



HVI Performance Values

Exhaust	Duct Size	Pressure (in. H2O)		Power (W)		CFM		Sones	
		High Speed	Working Speed	High Speed	Working Speed	High Speed	Working Speed	High Speed	Working Speed
Vertical	7"	0.1	0.018	345	215	380	150	6.5	1.3
Horizontal	3.25" x 10"	0.1	0.017	342	216	360	140	8.0	1.4
Vertical	3.25" x 10"	0.1	0.017	340	214	360	150	8.5	1.3

Installation Details



Accessories: To purchase Bosch accessories, cleaners & parts please visit www.bosch-home.com/us/store or call 1-800-944-2904 (Mon to Fri 5 am to 6 pm PST, Sat 6 am to 3 pm PST).

Notes: All height, width and depth dimensions are shown in inches. BSH reserves the absolute and unrestricted right to change product materials and specifications, at any time, without notice. Consult the product's installation instructions for final dimensional data and other details prior to making cutout.

Warranties: Please see Use & Care manual or Bosch website for statement of limited warranty.

For more information on our entire line of products, go to www.bosch-home.com/us or call 1-800-944-2904

© BSH Home Appliances Corporation. All rights reserved. Bosch is a registered trademark of Robert Bosch GmbH.