

24" Counter-Depth Bottom-Freezer with Ice Maker



800 Series – Stainless Steel B24CB80ESS



B24CB80ESS
Stainless Steel

Also available in:

White Glass B24CB80ESW

Black Glass B24CB80ESB

The convenient internal water dispenser and built-in ice maker meet all of your entertaining needs while the hidden hinge and reversible doors allow for a next-to-wall placement and nearly flush installation.

Features & Benefits

ENERGY STAR® qualified for energy efficiency.

The VitaFresh drawer keeps fruit and vegetables fresh longer.

Organize your refrigerator with adjustable shelving, door bins and convenient freezer drawers.

Ideal for compact kitchen layouts in metropolitan areas.

The LED lighting shines exceptionally bright and saves energy.

| General Properties | |
|--------------------------------------|-------------------|
| Reversible door hinge | Yes |
| Easy Clean Stainless Steel | Yes |
| Water filter | Yes |
| Lighting | Yes |
| Defrost process refrigerator section | Frost-free |
| Number of shelves – refrigerator | 4 |
| Adjustable shelves – refrigerator | 3 |
| Shelf material – refrigerator | Tempered glass |
| Type of shelves – refrigerator | Spill-proof glass |
| Door storage bins | 7 |
| Humidity control drawer | 1 |
| Defrost process freezer section | Automatic |
| Number of drawers – freezer | 3 |
| Adjustable shelves – freezer | N/A |
| Ice maker | Yes |
| Pyramid Ice | Yes |
| Ice storage capacity | 5.2 lbs* |
| MultiAirFlow™ | Yes |
| Home Connect® (Wi-Fi enabled) | Yes |

Capacity

| | |
|----------------------------|--------------|
| Total unit capacity – AHAM | 12.8 cu. ft. |
| Refrigerator capacity | 9.2 cu. ft. |
| Freezer capacity | 3.6 cu. ft. |

Technical Details

| | |
|-------------------|--------------|
| Current | 10 A |
| Volts | 110-120 V |
| Frequency | 60 Hz |
| Power cord length | 94" |
| Plug type | 120V-3 prong |

Dimensions & Weight

| | |
|----------------------------------|--------------------------------|
| Appliance dimensions (H x W x D) | 79 15/16" x 23 5/8" x 26 3/16" |
| Required cutout size (H x W x D) | 80 7/16" x 24" x 24" |
| Net weight | 165.34 lbs |

Efficiency

| | |
|------------------------|------------|
| ENERGY STAR® qualified | Yes |
| Energy consumption | 490 kWh/yr |

Accessories—Optional

UltraClarityPro™ Water Filter: BORPLFTR50



Home Connect

*2.6 lbs of ice storage per bin. Both bins must be used for ice storage to obtain maximum capacity of 5.2 lbs.

Accessories: To purchase Bosch accessories, cleaners & parts please visit www.bosch-home.com/us/store or call 1-800-944-2904 (Mon to Fri 5 am to 6 pm PST, Sat 6 am to 3 pm PST).

Notes: All height, width and depth dimensions are shown in inches. BSH reserves the absolute and unrestricted right to change product materials and specifications, at any time, without notice. Consult the product's installation instructions for final dimensional data and other details prior to making cutout.

Warranties: Please see Use & Care manual or Bosch website for statement of limited warranty.

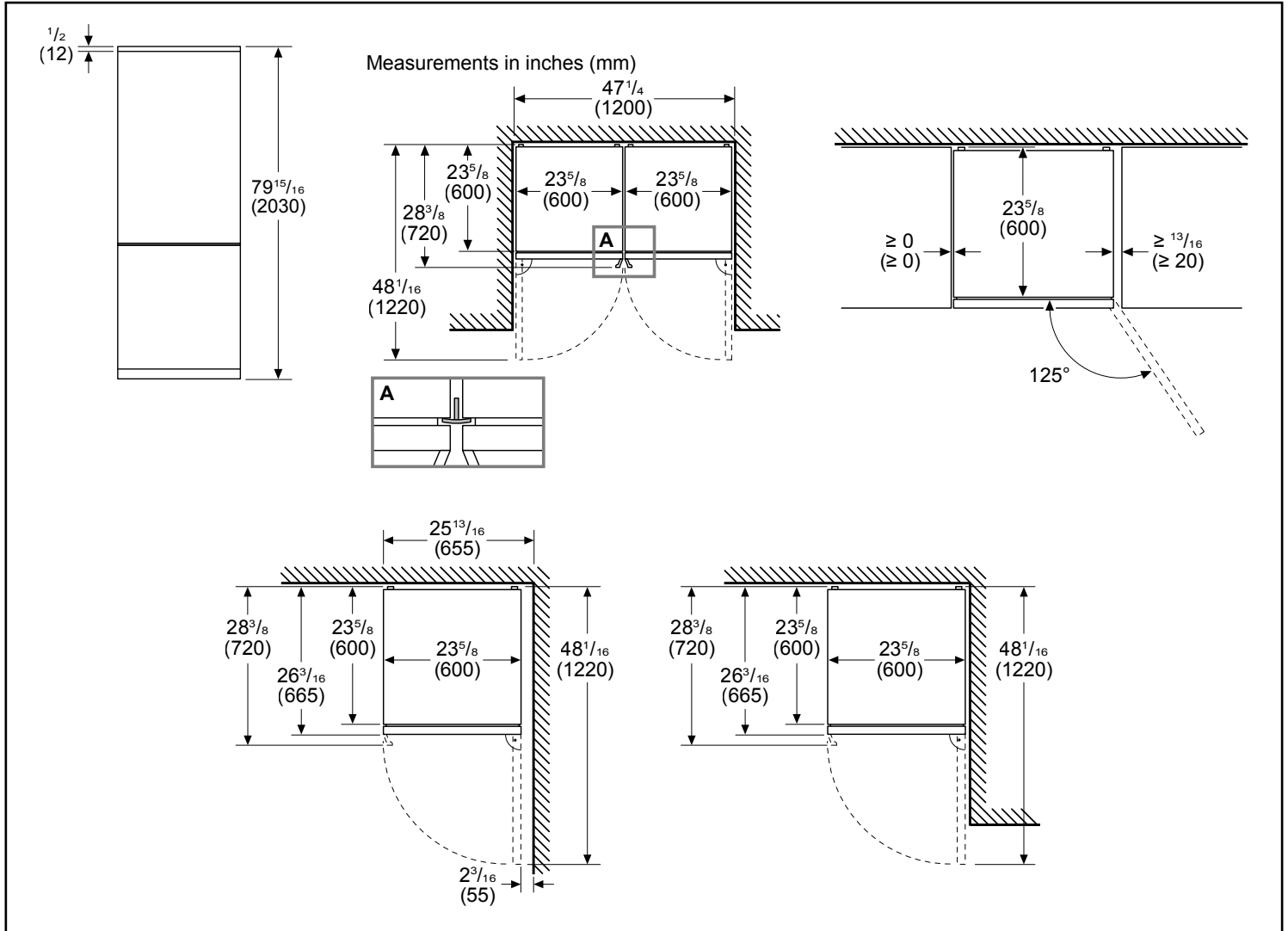
For more information on our entire line of products, go to www.bosch-home.com/us or call 1-800-944-2904

© BSH Home Appliances Corporation. All rights reserved. Bosch is a registered trademark of Robert Bosch GmbH.

24" Counter-Depth Bottom-Freezer with Ice Maker

800 Series – Stainless Steel B24CB80ESS

Installation Details



Accessories: To purchase Bosch accessories, cleaners & parts please visit www.bosch-home.com/us/store or call 1-800-944-2904 (Mon to Fri 5 am to 6 pm PST, Sat 6 am to 3 pm PST).

Notes: All height, width and depth dimensions are shown in inches. BSH reserves the absolute and unrestricted right to change product materials and specifications, at any time, without notice. Consult the product's installation instructions for final dimensional data and other details prior to making cutout.

Warranties: Please see Use & Care manual or Bosch website for statement of limited warranty.

For more information on our entire line of products, go to www.bosch-home.com/us or call 1-800-944-2904

© BSH Home Appliances Corporation. All rights reserved. Bosch is a registered trademark of Robert Bosch GmbH.