



Register your
appliance and join
the Bosch
family of perks:
[bosch-home.com/us/
mybosch](https://bosch-home.com/us/mybosch)



Free-standing range

HIS8055U

HIS8055C

HIS8655U

HIS8655C

[en-us]
[fr-ca]

Installation Instructions
Instructions d'installation

Free-standing range
Cuisinière amovible

2
20

Table of contents

1 IMPORTANT SAFETY INSTRUCTIONS.....	3
1.1 Safety definitions.....	3
1.2 General information.....	3
1.3 General safety instructions.....	3
1.4 Appliance handling safety	4
1.5 Installation location.....	4
1.6 Safety codes and standards.....	4
1.7 Electrical safety.....	4
1.8 State of California Proposition 65 Warnings	5
1.9 Transport	5
2 Before you begin.....	6
2.1 Tools and parts needed	6
2.2 Parts included	6
2.3 Other accessories	6
2.4 Removing packaging.....	6
2.5 Appliance dimensions	7
2.6 Cabinet requirements.....	8
2.7 Installation checklist	9
3 Installation procedure	9
3.1 How to remove the oven door	9
3.2 Fitting the rear vent trim	10
3.3 Fitting the adjustable feet	10
3.4 Install appliance	11
3.5 Installing the anti-tip bracket.....	11
3.6 Connect electrical supply	12
3.7 Preparation for power connection.....	13
3.8 Four-wire range cord connection (recommended method).....	13
3.9 Connecting the three-wire range cord (alternate method).....	14
3.10 Connecting the four-wire flexible conduit.....	15
3.11 Connecting the three-wire flexible conduit.....	16
3.12 Testing the operation	16
4 Customer Service	16
4.1 Model number (E-Nr.) and production number (FD)	16
4.2 Rating plate location.....	17
5 Wiring diagrams.....	18



IMPORTANT SAFETY INSTRUCTIONS

READ AND SAVE THESE INSTRUCTIONS

Read all instructions carefully before use. These precautions will reduce the risk of electrical shock, fire and injury to persons. When using kitchen appliances, basic safety precautions must be followed including those in the following pages.

1.1 Safety definitions

Here you can find explanations of the safety signal words used in this manual.

WARNING

This indicates that death or serious injuries may occur as a result of non-observance of this warning.

CAUTION

This indicates that minor or moderate injuries may occur as a result of non-observance of this warning.

NOTICE:

This indicates that damage to the appliance or property may occur as a result of non-compliance with this advisory.

Note: This alerts you to important information and/or tips.

1.2 General information

Here you can find general information about this manual.

- Please read this manual carefully.
- Observe the safety instructions and warnings.
- Keep the manual and the product information in a safe place for future reference or for the next owner.
- Check the appliance for damage after unpacking it. Do not connect the appliance if it has been damaged in transit.

1.3 General safety instructions

IMPORTANT: THE APPLIANCE MUST BE INSTALLED BY A QUALIFIED INSTALLER.

IMPORTANT: SAVE THESE INSTRUCTIONS FOR THE LOCAL ELECTRICAL INSPECTOR'S USE.

OWNER: PLEASE RETAIN THESE INSTRUCTIONS FOR FUTURE REFERENCE.

INSTALLER: LEAVE THESE INSTRUCTIONS WITH THE APPLIANCE AFTER INSTALLATION IS COMPLETE.

Examine the appliance after unpacking it. In the event of transport damage, do not plug it in.

WARNING

If the information in this manual is not followed exactly, fire or shock may result causing property damage or personal injury.

Do not repair, replace or remove any part of the appliance unless specifically recommended in the manuals. Improper installation, service or maintenance can cause injury or property damage.

- ▶ Refer to this manual for guidance.
- ▶ All other servicing should be done by an authorized service provider.

WARNING

TIP OVER HAZARD! A child or adult can tip the range over and be killed.



- ▶ Install the anti-tip device to the structure and/or the range.
- ▶ Verify the anti-tip device has been properly installed and engaged.
- ▶ Engage the range to the anti-tip device. Ensure the anti-tip device is re-engaged when the range is moved.
- ▶ Re-engage the anti-tip device if the range is moved. Do not operate the range without the anti-tip device in place and engaged.
- ▶ See installation instructions for details.
- ▶ Failure to follow the instructions in this manual can result in death or serious burns to children and adults.
- ▶ Check for proper installation and use of the anti-tip bracket. Carefully tip the range forward pulling from the back to ensure that the anti-tip bracket engages the range leg and prevents tip-over. The range should not move more than 1" (2.5 cm).

WARNING

Never modify or alter the construction of the appliance.

- ▶ For example, do not remove leveling legs, panels, wire covers or anti-tip brackets/screws.

The appliance should only be used if installed by a qualified technician in accordance with these installation instructions. The manufacturer is not responsible for any damage resulting from incorrect installation.



IMPORTANT SAFETY INSTRUCTIONS

READ AND SAVE THESE INSTRUCTIONS

WARNING

Remove all tape and packaging before using the appliance.

- ▶ Destroy the packaging after unpacking the appliance.
- ▶ Dispose of packaging in an environmentally responsible manner.
- ▶ Never allow children to play with packaging material.
- ▶ Store small parts safely as they can be a choke hazard.

1.4 Appliance handling safety

WARNING



Unit is heavy and requires at least two people or proper equipment to move.

- ▶ Do not lift appliance by door handle.
- ▶ Remove the door for easier handling and installation. See instructions in this manual.

WARNING



Hidden surfaces may have sharp edges.

- ▶ Use caution when reaching behind or under appliance.
- ▶ Wear gloves to avoid cutting fingers on sharp edges during installation.

1.5 Installation location

To eliminate the risk of burns or fire by reaching over heated surface units, cabinet storage space located above the surface units should be avoided. If cabinet storage is to be provided, the risk can be reduced by installing a hood that projects horizontally a minimum of 5" (12.7 cm) beyond the bottom of the cabinet.

Verify that cabinets above the range are a maximum of 13" (330 mm) deep.

1.6 Safety codes and standards

This appliance complies with the latest version of one or more of the following standards:

- CAN/CSA C22.2 No. 61 - Household Cooking Ranges
- UL 858 - Household Electric Ranges

It is the responsibility of the owner and the installer to determine if additional requirements and/or standards apply to specific installations.

1.7 Electrical safety

- **Installer** - show the owner the location of the circuit breaker or fuse. Mark it for easy reference.
- If required by the National Electrical Code (or Canadian Electrical Code), this appliance must be installed on a separate branch circuit.
- Local codes vary. The installer is responsible for ensuring that the installation, connections, and grounding comply with all applicable codes. The manufacturer is not responsible for any issues associated with the improper installation of this product.
- Be sure your appliance is properly installed and grounded by a qualified technician.
- The circuit breaker should have a contact separation of at least 3 mm on all poles.
- Do not use an adapter.
- Refer to the rating plate for more information.
→ "Rating plate location", Page 17

WARNING

Before installing, turn power OFF at the service panel.

- ▶ Lock service panel to prevent power from being turned ON accidentally.



ELECTRIC SHOCK HAZARD

- ▶ Disconnect power before installing or servicing. Before turning power ON, be sure that all controls are in the OFF position.
- ▶ DO NOT remove connections.
- ▶ DO NOT use an extension cord.
- ▶ Improper grounding can result in a risk of electric shock.
- ▶ Failure to follow these instructions can result in death, fire, or electrical shock.

GROUNDING INSTRUCTIONS

- ▶ This appliance must be grounded.
- ▶ Grounding reduces the risk of electric shock by providing a safe pathway for electric current in the event of a short circuit.
- ▶ Be sure your appliance is properly installed and grounded by a qualified technician.
- ▶ Installation, electrical connections and grounding must comply with all applicable codes.

Before you turn on power supply, make sure all controls are in the OFF position.



IMPORTANT SAFETY INSTRUCTIONS

READ AND SAVE THESE INSTRUCTIONS

1.8 State of California Proposition 65 Warnings

This product may contain a chemical known to the State of California, which can cause cancer or reproductive harm. Therefore, the packaging of your product may bear the following label as required by California:

STATE OF CALIFORNIA PROPOSITION 65 WARNING:

 **WARNING**

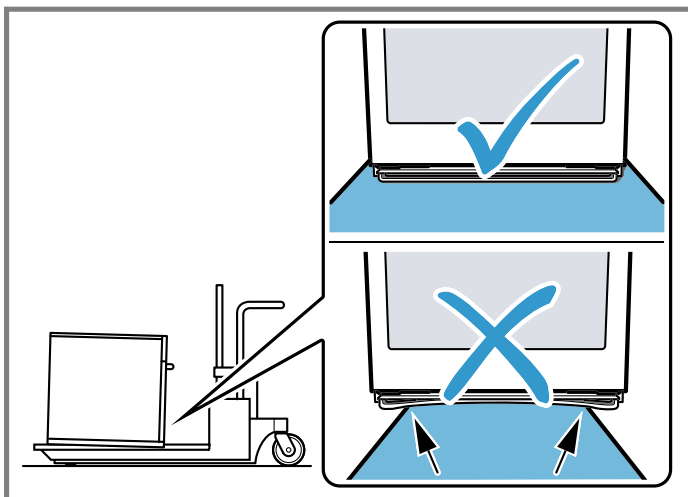
Cancer and Reproductive Harm - www.P65Warnings.ca.gov

1.9 Transport

Follow these precautions when transporting your appliance.

NOTICE:

To avoid damaging the appliance, use the transport method shown in the following picture.



2 Before you begin

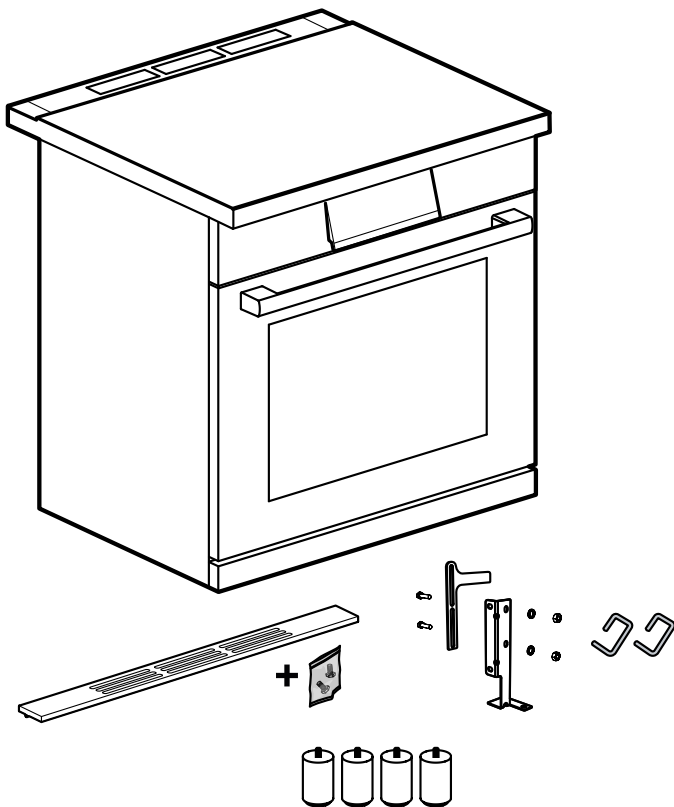
2.1 Tools and parts needed

- Cross head screwdriver
- Slotted screwdriver 1/8" (3,5 mm)
- Adjustable wrench
- Tongue and groove pliers
- Socket or flat wrench 3/8" (10 mm) or tongs
- Socket or flat wrench 7/8" (22 mm) or tongs
- Drill with 5/16" (8 mm) bit
- Pencil
- Measuring tape

Only needed for appliances without power cord:

- Tube hexagonal wrench with nut head 3/8" (10 mm)
- Tube hexagonal wrench with nut head 5/16" (8 mm)
- Power supply cord (only for USA)

2.2 Parts included



2.3 Other accessories

You can purchase other accessories from our Customer Service, specialist retailers or online.

You will find a comprehensive range of products for your appliance in our brochures and online: www.bosch-home.com

Accessories are appliance-specific. When purchasing, always check for compatibility with your appliance model number (E-Nr).

You can find out which accessories are available for your appliance in our online shop or from our Customer Service.

Side panel extension

Use

- Side cover for appliances without adjacent kitchen units.
- Order number: HEZ9YZ04UC

Toe kick plate for 30" appliances

Use

- Toe kick plate to conceal the appliance feet.
- Order number: HEZ9TK30UC

Toe kick plate for 36" appliances

Use

- Toe kick plate to conceal the appliance feet.
- Order number: HEZ9TK36UC

Metal range feet

Use

- Set (4 pcs.) of premium range feet.
- Order number: HEZ9LLUC

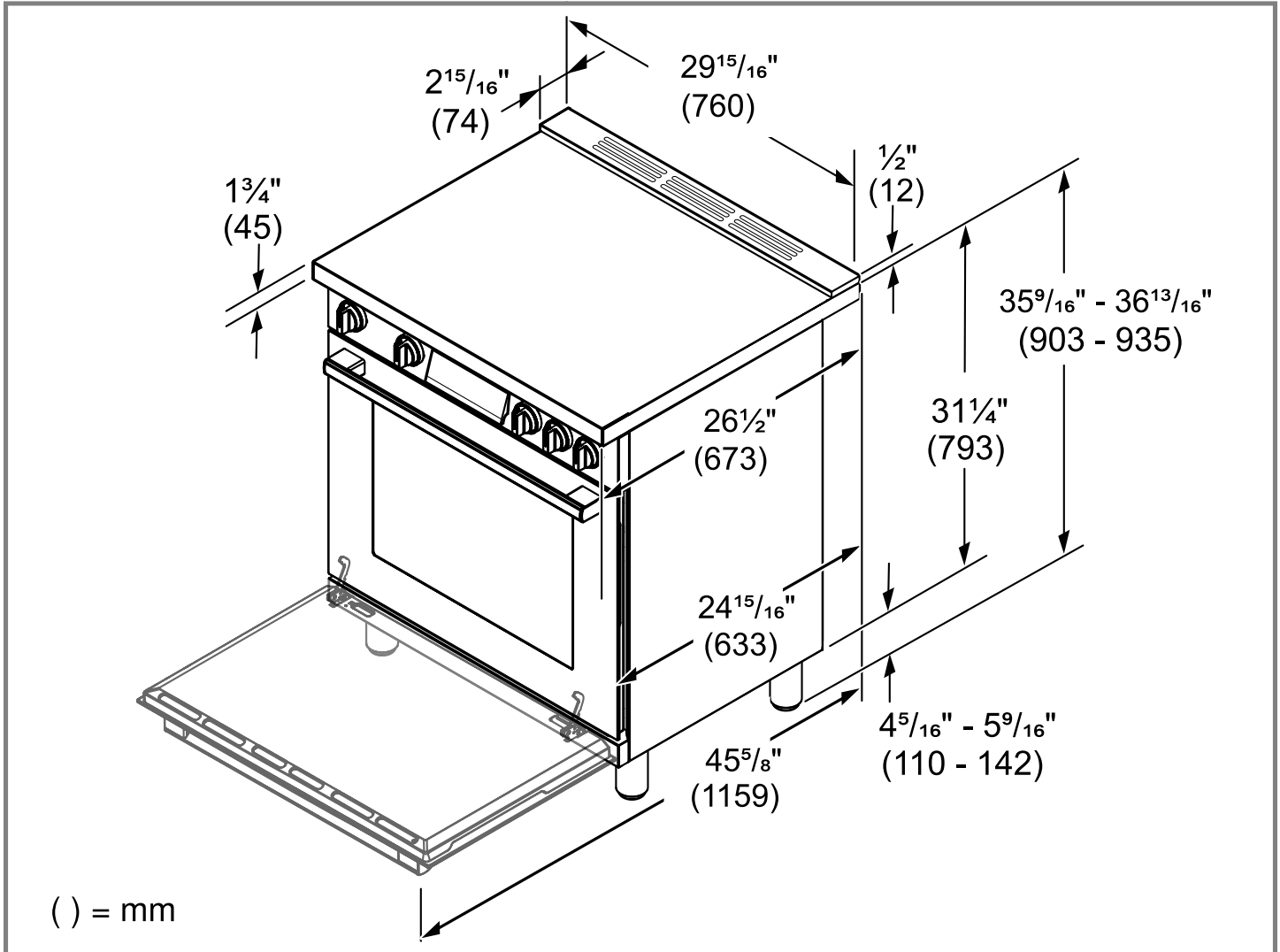
2.4 Removing packaging

See the diagram on the packaging.

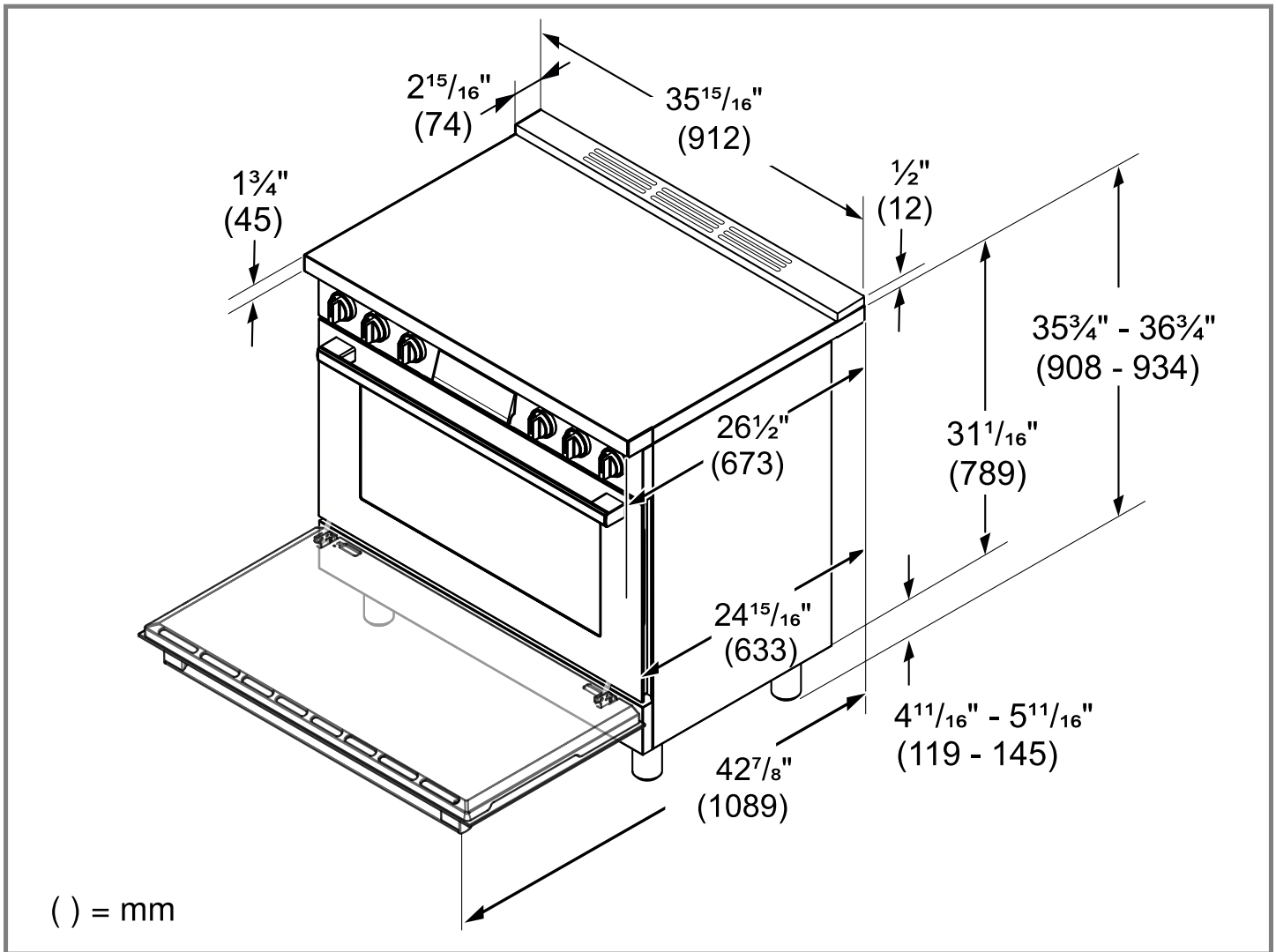
1. If straps are present, cut the straps.
2. Cut the plastic down the back of unit making sure not to cut the unit.
3. Remove the plastic film.
4. Lift the cardboard carton from the top of the range and dispose of it.
5. Remove the corner posts, making sure that any other packaging materials running between the corner posts are also removed.
6. Remove all internal packaging and tape.
7. The rear vent trim is nested in the styrofoam packaging for shipping purposes. Do not throw it away.

2.5 Appliance dimensions

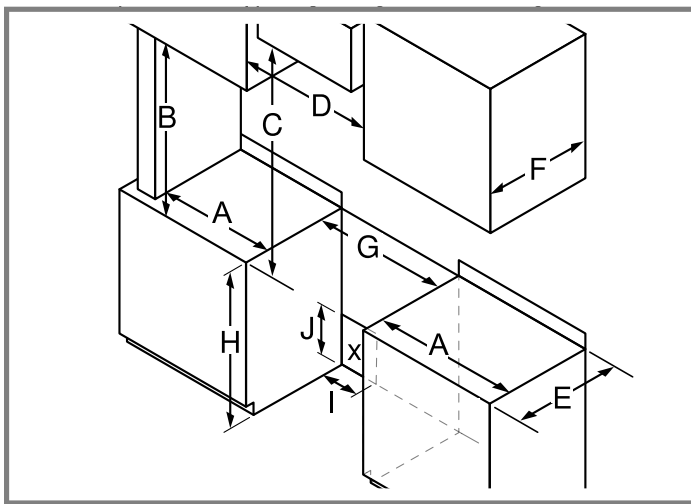
30" Ranges



36" Ranges



2.6 Cabinet requirements



C	min. 30" (762 mm) clearance between the top of the cooking surface and the bottom of the unprotected wood or metal cabinet
D	30": min. 30" (762 mm) 36": min. 36" (914 mm)
E	min. 25" (635 mm)
F	max. 13" (330 mm)
G	30": min. 30" (762 mm) 36": min. 36" (914 mm) Zero clearance between adjacent combustible construction below the countertop surface and sides of the appliance
H	35 ³ / ₈ " - 36 ⁵ / ₈ " (898 - 930 mm)
I	max. 11" (279 mm)
J	max. 7" (178 mm)

From the cooking surface to side materials: no clearance is required from unit walls to adjacent vertical combustible walls on rear, right or left.

X Grounded Outlet

The distances that must be maintained when installing the range shall be:

A	min. 7" (178 mm)
B	min. 18" (457 mm)

2.7 Installation checklist

Please refer to the following pages for complete installation instructions. Use this checklist to verify that you have completed each step of the installation process. This can help you avoid mistakes.

✓	Installation step
	Before installing the range, be sure to verify the cabinet dimensions are correct for your unit and that the required electrical connections are present.
	Before installing the range, make sure that any opening in the wall behind the appliance and in the floor under the appliance shall be sealed.
	Read this installation manual for content regarding Safety, Cabinet Dimensions, Removing Packaging, Electrical Installation and Customer Service.
	Removing the oven door prior to installation reduces the unit weight and makes the range easier to move. Additionally, the removal of the oven door provides access to handholds for lifting.
	Install and adjust the feet.
	Move the range (2 people needed) into place in front of the installation opening, leaving the bottom packaging on the unit to avoid damaging flooring.
	Plug the range into a properly configured receptacle.
	Protect the flooring from damage, then slide the unit all the way into place, making sure to route the power cord correctly.
	Reinstall the oven door.
	Make sure the anti-tip bracket is engaged.

3 Installation procedure

3.1 How to remove the oven door

⚠ WARNING

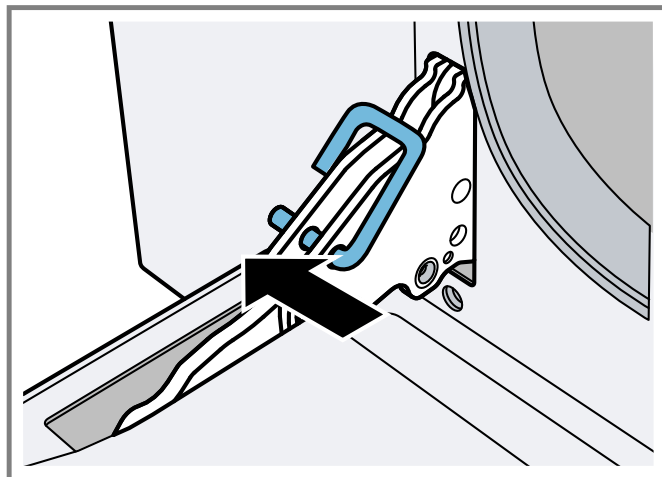
Failure to follow these instructions when removing the oven door may lead to personal injury or product damage.

- ▶ Make sure oven is cool and power to the oven has been turned off before removing the door. Failure to do so could result in electrical shock or burns.
- ▶ The oven door is heavy and parts of it are fragile. Use both hands to remove the oven door.
- ▶ The door front is glass. Handle it carefully to avoid breakage.
- ▶ Grasp only the side of the oven door. Do not grasp the handle. It may swing in your hand and cause damage or injury. Failure to grasp the oven door firmly and properly could result in personal injury or product damage.
- ▶ To avoid injury from hinge bracket snapping closed, be sure both levers are securely in place before removing the door.
- ▶ Do not force the door open or closed. The hinge could be damaged and cause damage or injury.

- ▶ Do not lay the removed door on sharp or pointed objects as this could break the glass. Lay it on a flat, smooth surface, positioned so that the door cannot fall over.

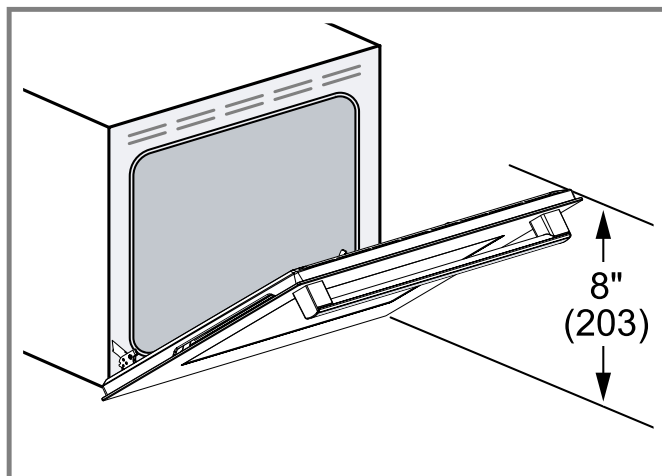
Note: To avoid injury or damage, make sure that you read the above WARNING before attempting to remove the oven door.

1. Open the oven door to its fully open position.
2. Lock the two hinges on the left and right using the locking pin. The locking pins must be fully inserted into the holes in the hinges.



3. **⚠ CAUTION** Closing the door by 8" (203 mm) takes the pressure off the spring. If this is not done, the door can still be removed but the latch will now slam shut and may pinch or cut your hand.

Close the oven door until it catches on the hinge stop levers, locking the hinges at the correct angle for door removal. The door can be removed when it is pulled up from the open position by about 8 inches (203 mm). This takes the tension off the spring-loaded hinges so that the door can be easily lifted out.



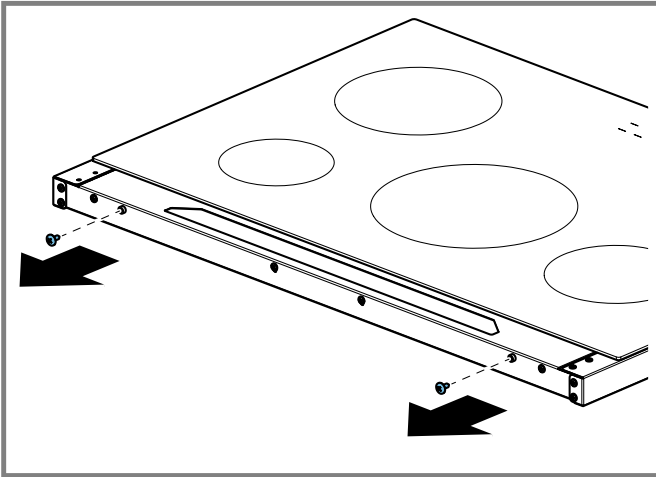
4. The door is heavy. Use both hands to firmly grip it by the sides. Do not grip the door by the handle. Keeping the angle of the door the same, lift the door straight up approximately 3/4" (19 mm) to unhook the hinges from the slots. Pull the door out towards you until the hinges are clear of the oven housing.
5. Place the door in a convenient and stable location for cleaning.

6. Refit the door in the reverse order in which it was removed.

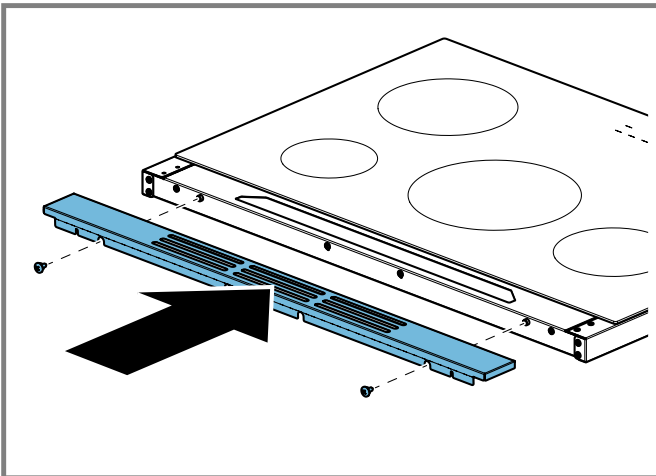
Note: Do not throw away the locking pins. Keep them in a safe place. They will be needed anytime the door is removed from the appliance.

3.2 Fitting the rear vent trim

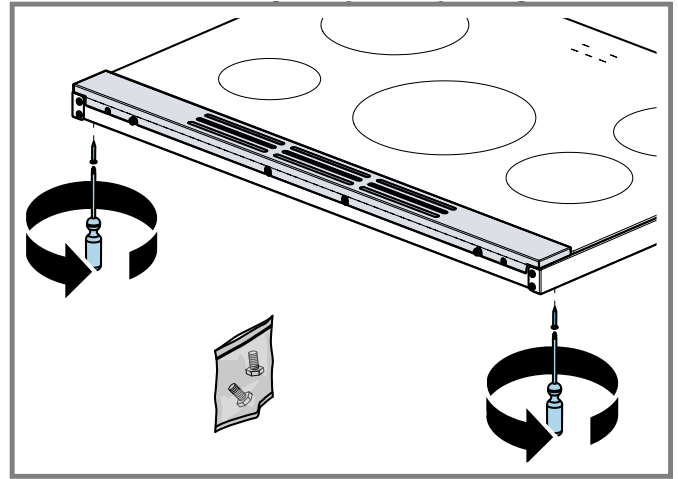
1. The rear vent trim is nested in the styrofoam packaging. Remove the packaging and the protective film from the rear vent trim. Remove the bag with 2 screws attached to the rear vent trim.
2. Remove the 2 screws from the back trim of the range-top.



3. Place the rear vent trim on the rangetop frame and fasten it with the 2 screws removed in the previous step.

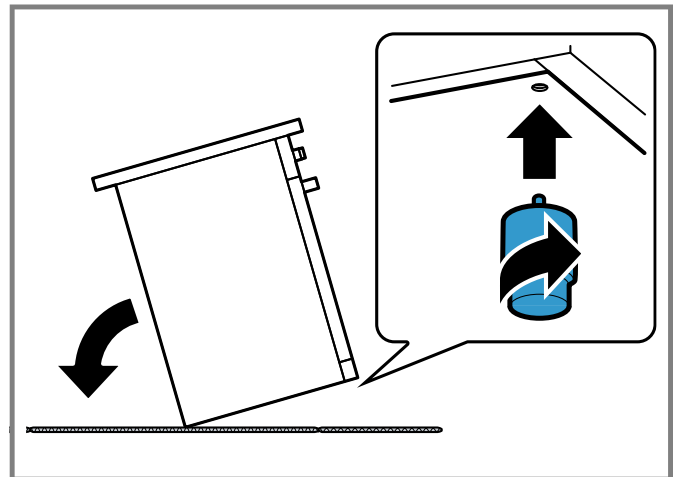


4. Take the screws from the attached bag and insert and tighten them from below.



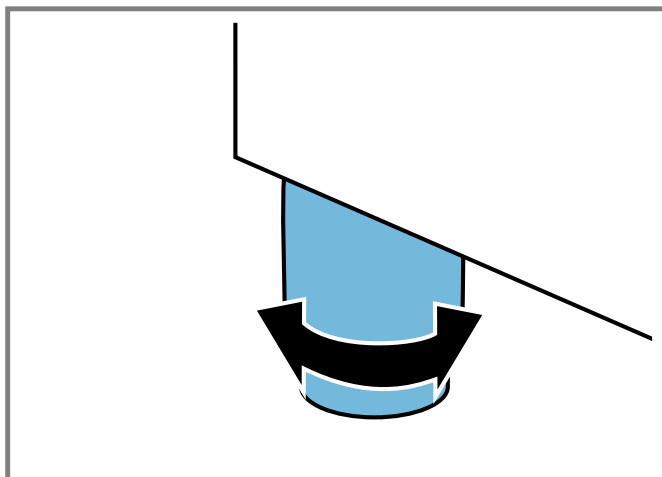
3.3 Fitting the adjustable feet

1. Remove all parts that are not permanently fixed, especially the pan supports and burners.
2. **CAUTION** Protect the floor. Remove the accessories from the oven.
3. **CAUTION** Do not use the door handle or projecting control panel for carrying. Tilt the appliance and put it to the floor on the backside.



4. Screw the adjustable feet into the mounting holes on the underside of the appliance.
If the appliance needs to be moved again, screw the adjustable feet in fully.
5. Carefully move the appliance back onto its feet.

6. Turn the adjustable feet to align the appliance.



Note: Measure the installation height of the cabinetry and adjust appliance height accordingly prior to placing appliance in cabinetry.

3.4 Install appliance

⚠ WARNING

TIP OVER HAZARD! A child or adult can tip the range over and be killed.

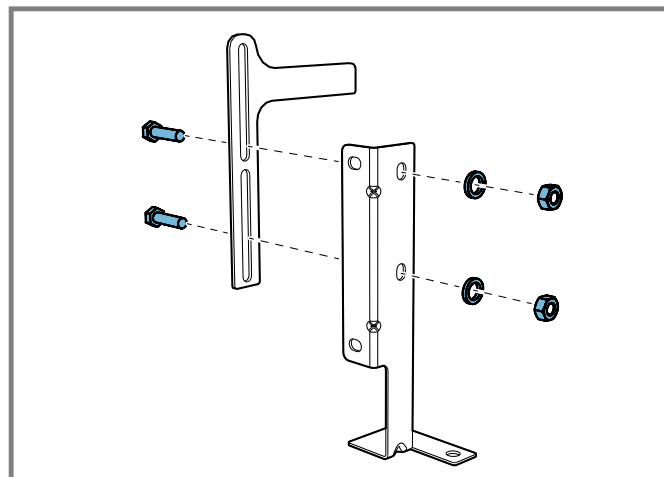


- ▶ Install the anti-tip device to the structure and/or the range.
- ▶ Verify the anti-tip device has been properly installed and engaged.
- ▶ Engage the range to the anti-tip device. Ensure the anti-tip device is re-engaged when the range is moved.
- ▶ Re-engage the anti-tip device if the range is moved. Do not operate the range without the anti-tip device in place and engaged.
- ▶ See installation instructions for details.
- ▶ Failure to follow the instructions in this manual can result in death or serious burns to children and adults.
- ▶ Check for proper installation and use of the anti-tip bracket. Carefully tip the range forward pulling from the back to ensure that the anti-tip bracket engages the range leg and prevents tip-over. The range should not move more than 1" (2.5 cm).

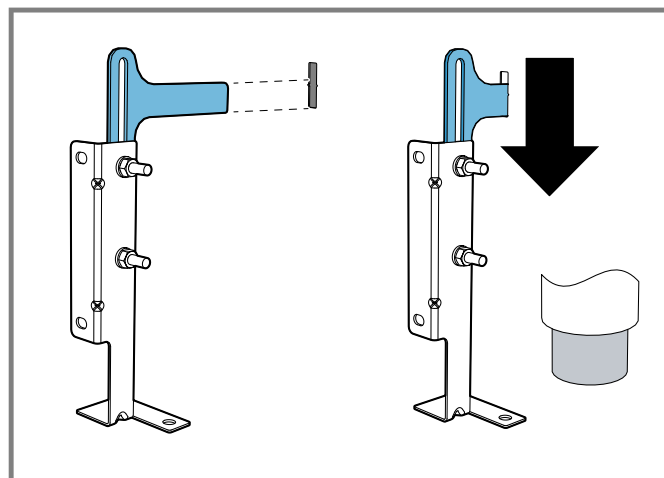
3.5 Installing the anti-tip bracket

1. Ensure that the electrical connection and the gas connection are in the correct position.

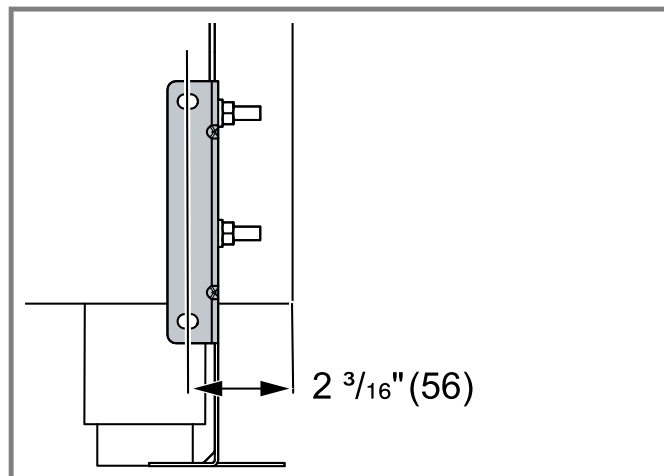
2. Assemble the bracket.



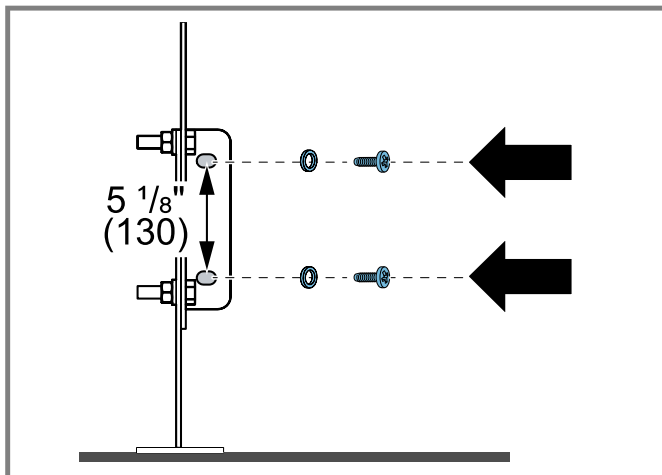
3. Align the base of the hook of the bracket with the base on the slot of the rear wall fastening bracket. Align the base of the fastening bracket with the ground and tighten the screws to fix the measurements.



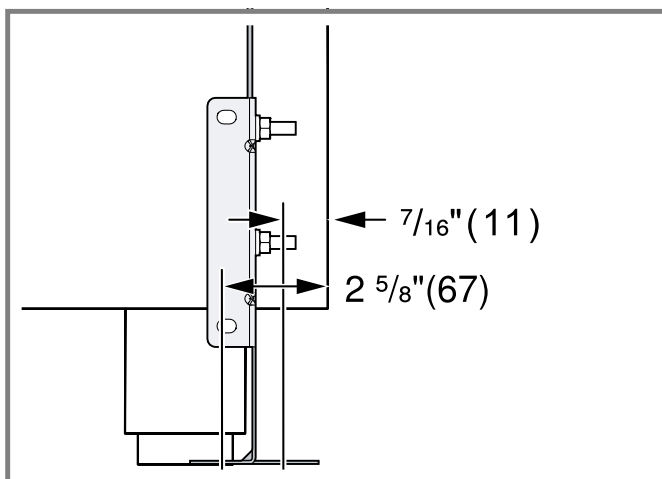
4. For wall mounting, proceed with steps 5–7 and 10. For floor mounting, proceed with steps 8–9 and 10.
5. Use the specified distance from the side of the appliance to the bracket holes.



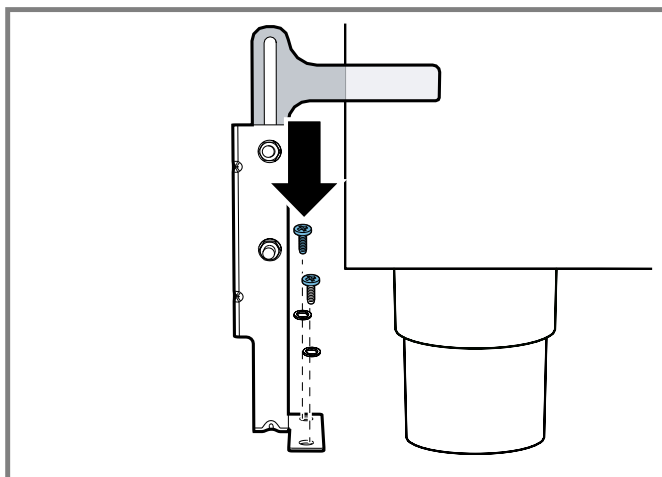
6. Move the bracket onto the wall and fix with the two washers and screws. A qualified technician must verify suitability of the materials in accordance with the type and condition of the wall.



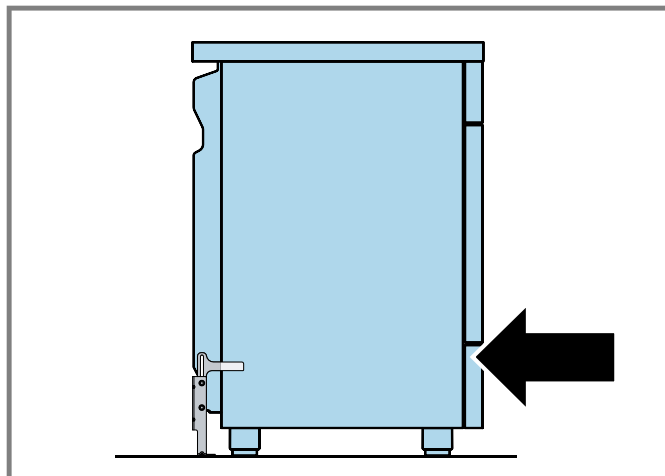
7. Use the following distances for the distance from the side of the appliance to the bracket holes.



8. After having positioned and leveled the appliance, move the bracket close to the rear of the appliance and anchor it to the floor with the two washers and screws. A qualified technician must verify suitability of the materials in accordance with the type and condition of the floor.



9. Push the cooker towards the wall, and at the same time, insert the bracket in the plate fastened to the rear of the appliance.

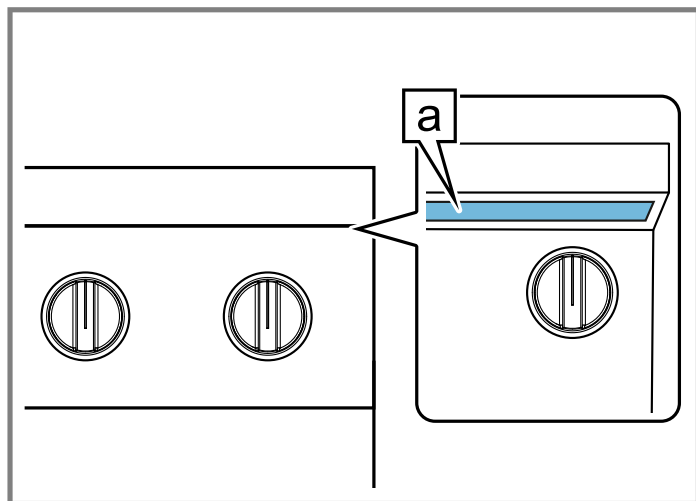


10. **⚠ WARNING** The rear vent trim has 3/16" (5 mm) standoffs to keep the appliance slightly off of the back wall. Do not remove or tamper with standoffs due to potential temperature issues.

Check for proper installation and use of the anti-tip bracket. Carefully tip the range forward pulling from the back to ensure that the anti-tip bracket engages the range leg and prevents tip-over. The range should not move more than 1" (2.5 cm).

3.6 Connect electrical supply

This dual-fuel range may be connected using an electric range cord or using a flexible conduit electrical connection. The length must be at least 5 ft (1.5 m). For technical specifications see the rating label **a** on the underside of the projecting control panel.



Do not use multiple outlets, extension cords or adapters.

Note

- In Canada, the range is shipped from the factory with the power cord already installed.
- We recommend that only qualified persons add a power cord or make electrical connections to this appliance.

For installations other than those in Canada, connect the power cord at the terminal block. Access the terminal block by removing the cover in the lower right-hand corner of the range back panel.

⚠ WARNING

ELECTRICAL GROUNDING INSTRUCTIONS

- ▶ This appliance (HIS8..5C) is equipped with a four-prong grounding plug for your protection against shock hazard and should be plugged directly into a properly grounded receptacle. Do not cut or remove the grounding prong from this plug.

3.7 Preparation for power connection

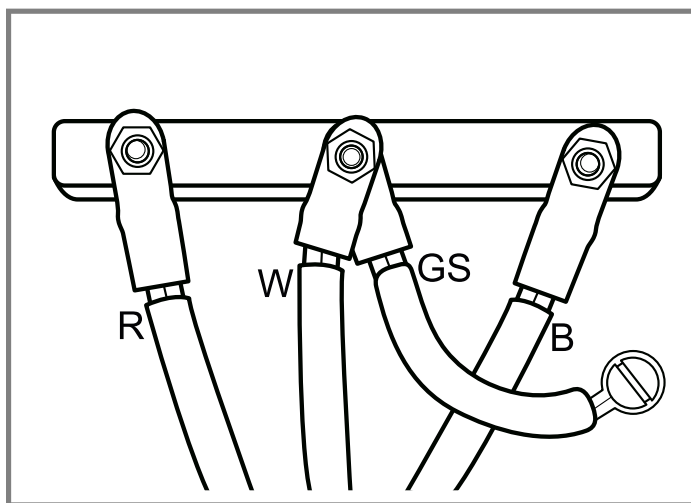
⚠ WARNING

Risk of Electric Shock or Fire. Grounding through the neutral conductor is prohibited for new branch-circuit installations (1996 NEC), mobile homes, and recreational vehicles, or in an area where local codes prohibit grounding through the neutral conductor.

For installations where grounding through the neutral conductor is prohibited: (a) disconnect the link from the neutral, (b) use grounding terminal or lead to ground unit, (c) connect neutral terminal to lead branch circuit neutral in the usual manner. When the appliance is to be connected by means of a cord kit, use 4-conductor cord for this purpose.

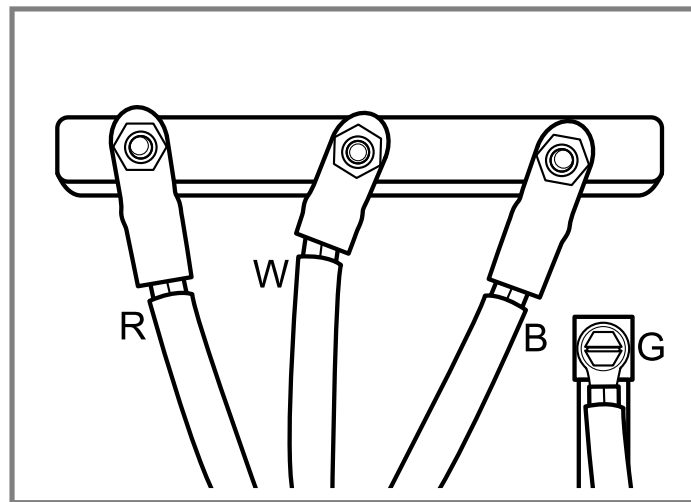
Use only cord kits rated 208/240 volts, 50 amperes, with ring or fork type connector and labelled "For use with ranges". Use only flexible conduit with wires with ring or fork type connectors. Strain relief provided with the cord must be installed per instructions included with the cord. The nuts for supply cable fixing come separately in an accessory bag.

3-Wire Hookup



R	Red
W	White
GS	Grounding Strip
B	Black

4-Wire Hookup



R	Red
W	White
G	Green
B	Black

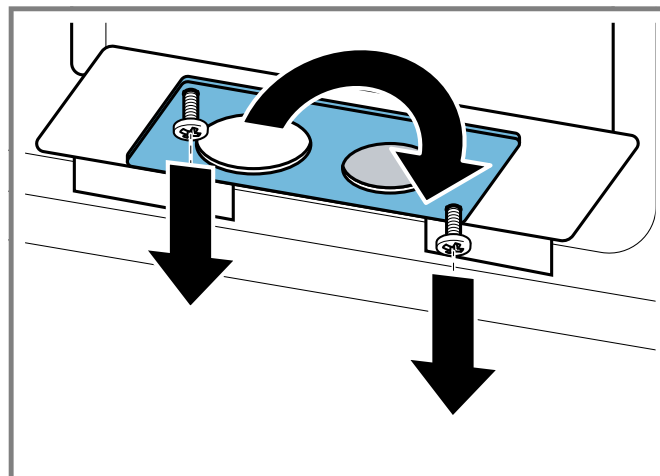
⚠ WARNING

To prevent electrical shock, the grounding prong on the range cord should not be cut or removed under any circumstances.

- ▶ It must be plugged into a matching grounding type receptacle and connected to a correctly polarized 240-Volt circuit.
- ▶ If there is any doubt as to whether the wall receptacle is properly grounded, have it checked by a qualified electrician.

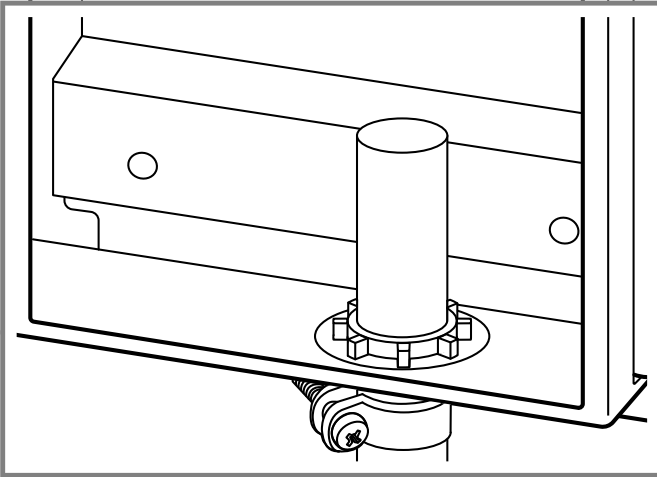
3.8 Four-wire range cord connection (recommended method)

1. Disconnect the electrical power at the breaker box. Remove the terminal block cover to expose the terminal block.
2. If you need a larger hole for the strain relief (not provided with range) remove the metal plate. Rotate it 180° to have the larger hole for the power supply cable and mount it again.



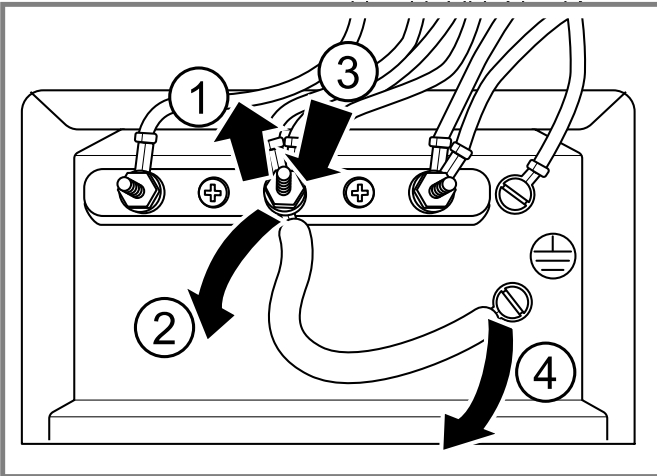
3. Insert the power supply cable into the terminal block through the bottom hole.

4. Mount strain relief (not provided with range) through the hole of the metal plate in the back panel located below the terminal block and secure tightly. Route the wires of the power supply cable through the strain relief and tighten clamp.



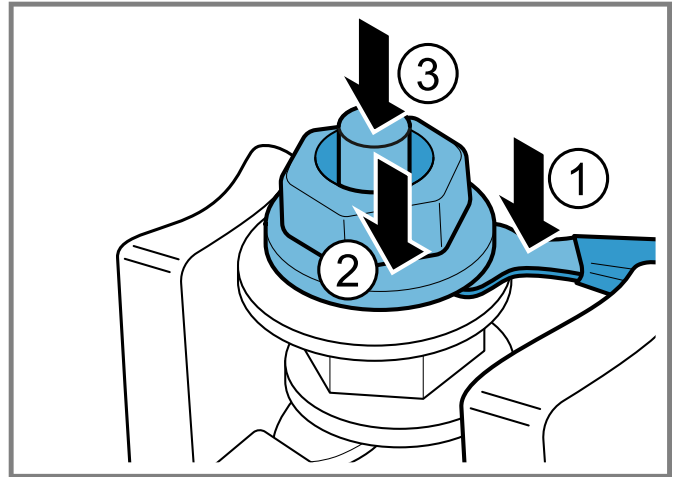
Make sure the strain relief is secured properly.

5. Remove the grounding strap from the center post on the terminal block. Therefore remove the hexagonal nut of the neutral pin. Remove the fork type connector of the grounding link. Mount the hexagonal nut on the neutral pin again. Remove the green hexagonal screw and the ring connector from the grounding. The strap will not be needed. Remove it from the unit.



6. Attach the insulated grounding wire to the grounding hole with the green grounding screw. Tighten the green hexagonal screw firmly, but do not overtighten.
7. Insert the flat washer.

8. Attach the red wire to the left junction block terminal using one of the hexagonal nuts.

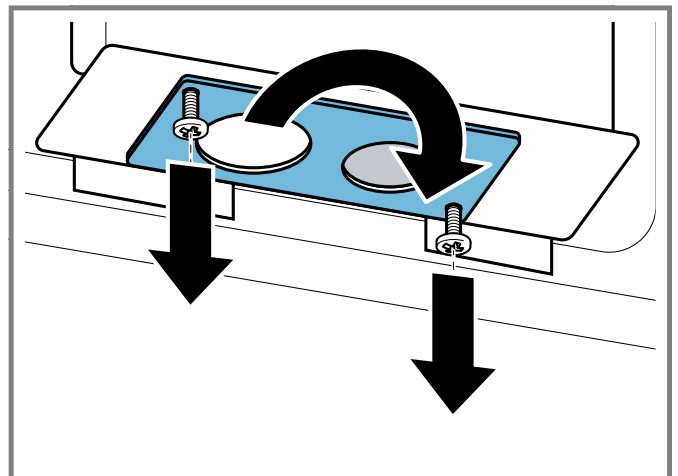


9. Attach the white wire to the center junction block terminal using one of the hexagonal nuts.
10. Attach the black wire to the right junction block terminal using one of the hexagonal nuts.
11. Tighten all connections securely and replace terminal block cover.
Do not plug in the range at this time.

3.9 Connecting the three-wire range cord (alternate method)

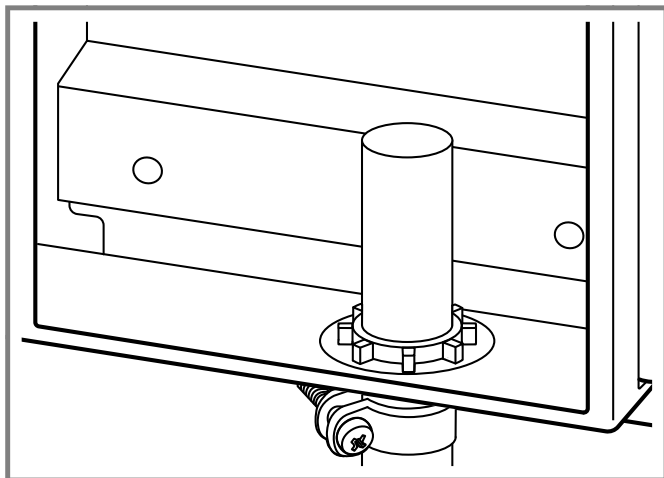
The four-wire connection (above) is preferred, but where local codes and ordinances permit grounding through the neutral and where conversion to four-wire is impractical, the unit can be connected to the power supply via a three-wire connection.

1. Disconnect the electrical power at the breaker box. Remove the terminal block cover to expose the terminal block.
2. If you need a larger hole for the strain relief (not provided with range) remove the metal plate. Rotate it 180° to have the larger hole for the power supply cable and mount it again.



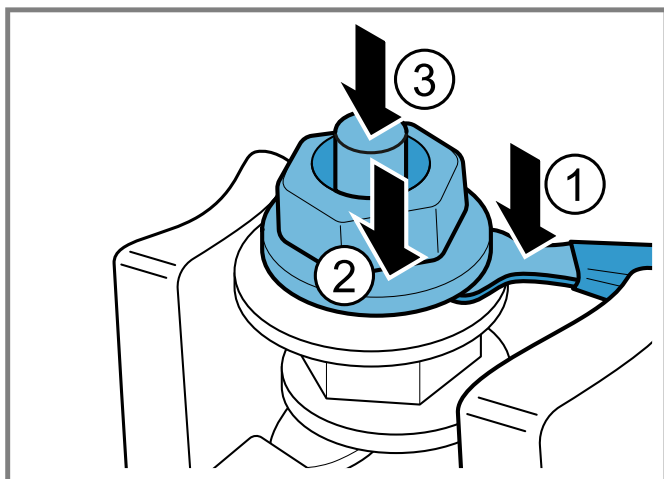
3. Insert the power supply cable into the terminal block through the bottom hole.

4. Mount strain relief (not provided with range) through the hole of the metal plate in the back panel located below the terminal block and secure tightly. Route the wires of the power supply cable through the strain relief and tighten clamp.



Make sure the strain relief is secured properly.

5. Insert the flat washer.
6. Attach the red wire to the left junction block terminal using one of the hexagonal nuts.



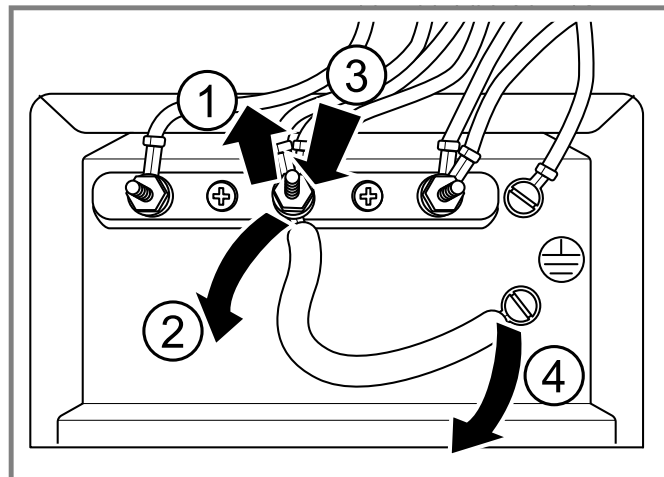
7. Attach the white wire to the center junction block terminal using one of the hexagonal nuts.
8. Attach the black wire to the right junction block terminal using one of the hexagonal nuts.
9. Tighten all connections securely and replace terminal block cover.

Do not plug in the range at this time.

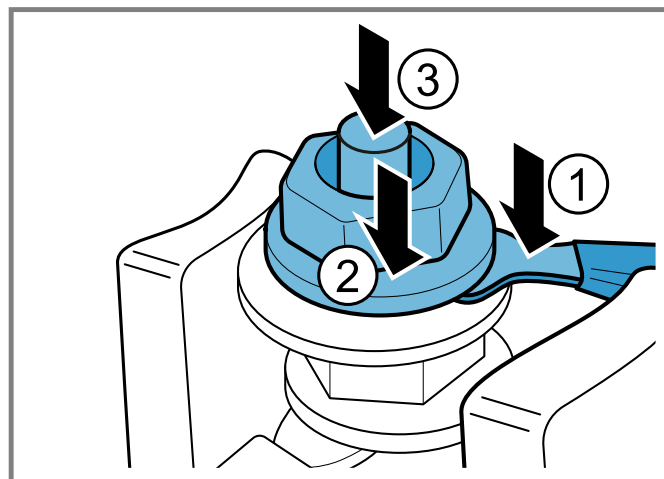
3.10 Connecting the four-wire flexible conduit

1. Disconnect the electrical power at the breaker box. Remove the terminal block cover to expose the terminal block.
2. Insert the power supply cable into the terminal block through the bottom hole.

3. Remove the grounding strap from the center post on the terminal block. Therefore remove the hexagonal nut of the neutral pin. Remove the fork type connector of the grounding link. Mount the hexagonal nut on the neutral pin again. Remove the green hexagonal screw and the ring connector from the grounding. The strap will not be needed. Remove it from the unit.



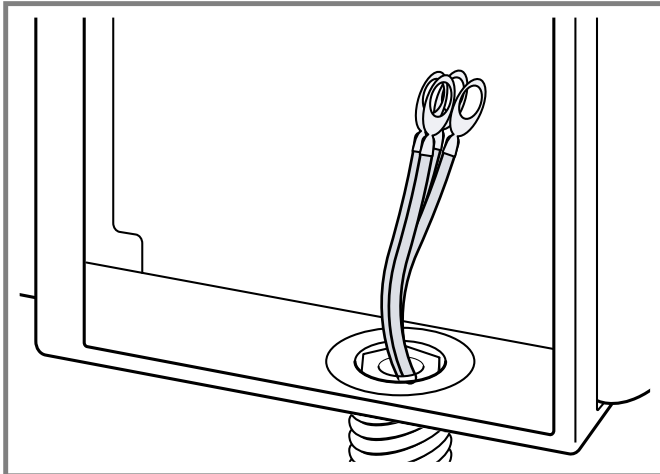
4. Attach the insulated grounding wire to the grounding hole with the green grounding screw. Tighten the green hexagonal screw firmly, but do not overtighten.
5. Insert the flat washer.
6. Attach the red wire to the left junction block terminal using one of the hexagonal nuts.



7. Attach the white wire to the center junction block terminal using one of the hexagonal nuts.
8. Attach the black wire to the right junction block terminal using one of the hexagonal nuts.

9. **⚠ WARNING** The strain relief provided with your range cord must be installed correctly.

Properly secure strain relief.



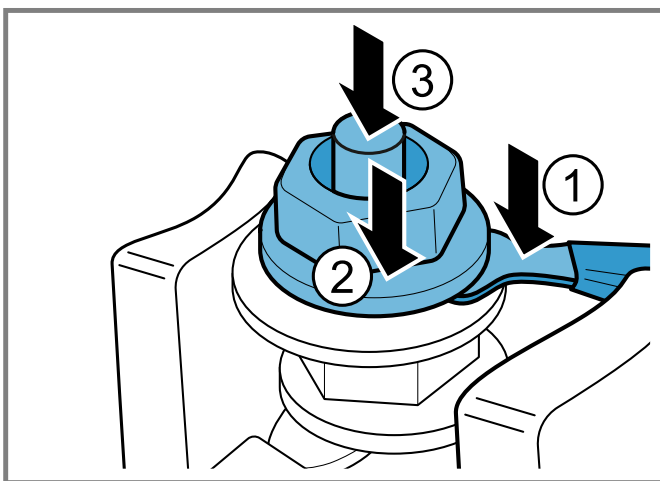
10. Tighten all connections securely and replace terminal block cover.

Do not plug in the range at this time.

3.11 Connecting the three-wire flexible conduit

The four-wire connection is preferred, but where local codes and ordinances permit grounding through neutral and/or conversion to four-wire is impractical, the unit can be connected to the power supply via a three-wire connection.

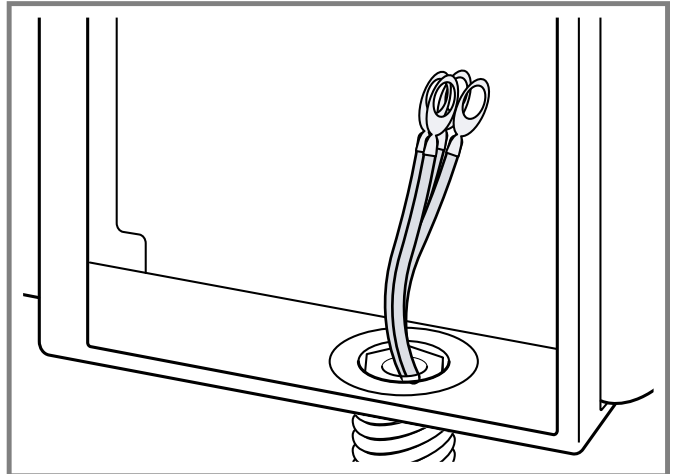
1. Disconnect the electrical power at the breaker box. Remove the terminal block cover to expose the terminal block.
2. Insert the power supply cable into the terminal block through the bottom hole.
3. Insert the flat washer.
4. Attach the red wire to the left junction block terminal using one of the hexagonal nuts.



5. Attach the white wire to the center junction block terminal using one of the hexagonal nuts.
6. Attach the black wire to the right junction block terminal using one of the hexagonal nuts.

7. **⚠ WARNING** The strain relief provided with your range cord must be installed correctly.

Properly secure strain relief.



8. Tighten all connections securely and replace terminal block cover.

Do not plug in the range at this time.

3.12 Testing the operation

Check if your unit is working properly after you have completed the installation steps.

1. Turn on power at the breaker.
2. To test the oven select the **bake** mode. See the User Manual for detailed operating instructions.
3. Verify that the oven light comes on and the oven begins to preheat.

4 Customer Service

With any warranty repair, we will make sure your appliance is repaired by an authorized service provider using genuine replacement parts. We use only genuine replacement parts for all repairs.

Detailed information on the warranty period and terms of warranty can be found in the Statement of Limited Product Warranty, from your retailer, or on our website.

If you contact the Customer Service, you will need the model number (E-Nr.) and the production number (FD) of your appliance.

USA:

1-800-944-2904

www.bosch-home.com/us/owner-support/get-support

www.bosch-home.com/us/shop

CA:

1-800-944-2904

www.bosch-home.ca/en/service/get-support

www.bosch-home.ca/en/service/cleaners-and-accessories

4.1 Model number (E-Nr.) and production number (FD)

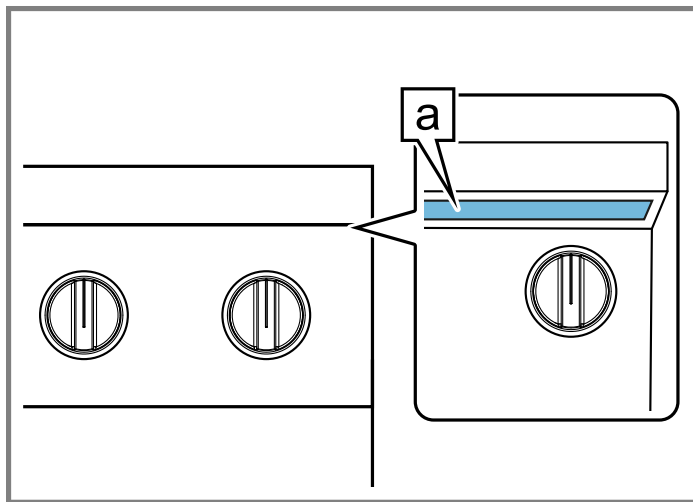
You can find the model number (E-Nr.) and the production number (FD) on the appliance's rating plate.

Making a note of your appliance's details and the Customer Service telephone number will enable you to find them again quickly.

4.2 Rating plate location

You can find the rating plate of your appliance:

- on the back side of the appliance.
- on the underside of the projecting control panel.



a Rating plate

5 Wiring diagrams

⚠ WARNING

When servicing the controls, label all wires prior to disconnection. Wiring errors can cause improper and dangerous operation: Verify proper operation after servicing.
 HIS*U models: Use copper or alluminum conductors.

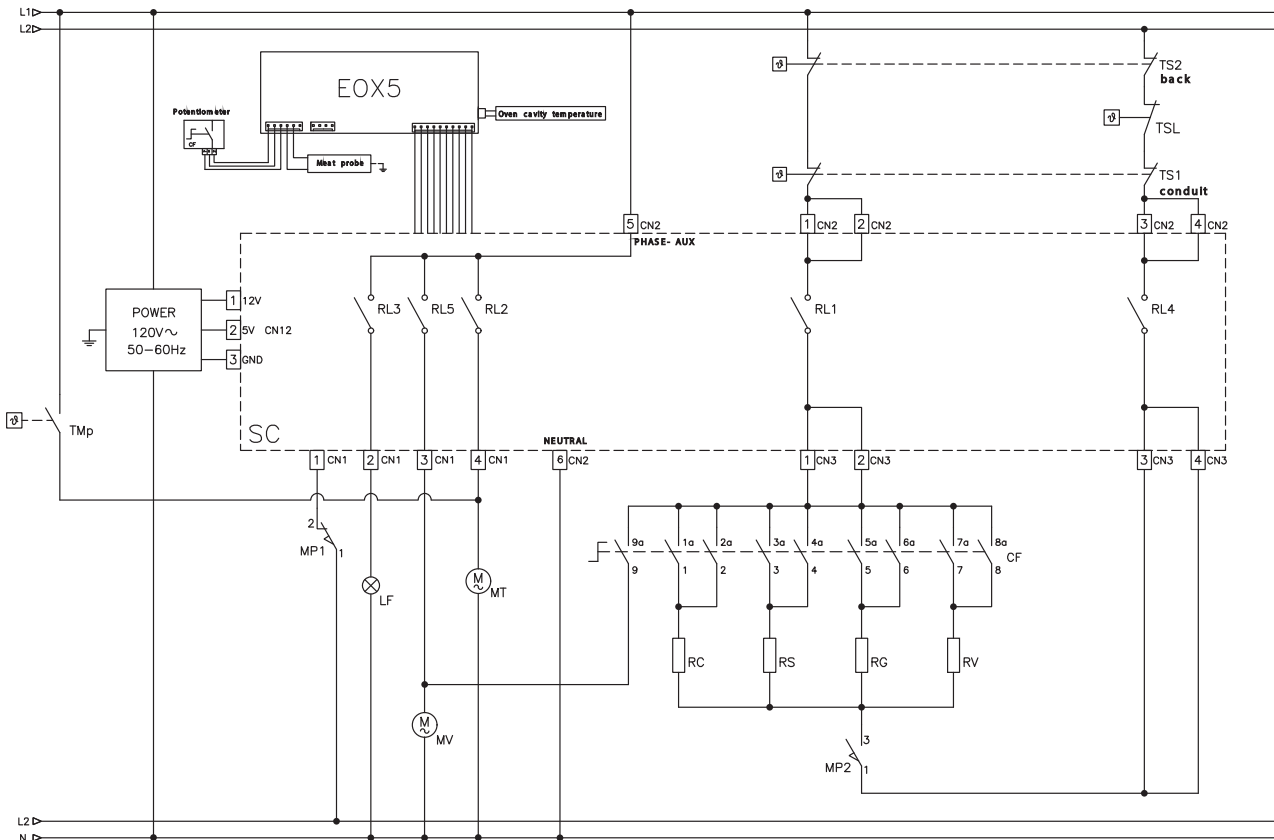
⚠ AVERTISSEMENT

Etiquetez les fils avant de déconnecter pour les controles de service. Une erreur dans le filage peut provoquer des opérations dangereuses et incorrectes. Verifiez la conformité de l'opération après un entretien. Modèles HIS*U: Utilisez des conducteurs en cuivre ou en aluminium.

⚠ ADVERTENCIA

Marcar todos los cables antes de desconectar, al realizar el mantenimiento de los mandos. Los errores de conexiòn pueden causar boperaciones inadecuadas y peligrosas. Comprobar el funcionamiento correcto después del mantenimiento. Modelos HIS * U: Use conductores de cobre o aluminio.

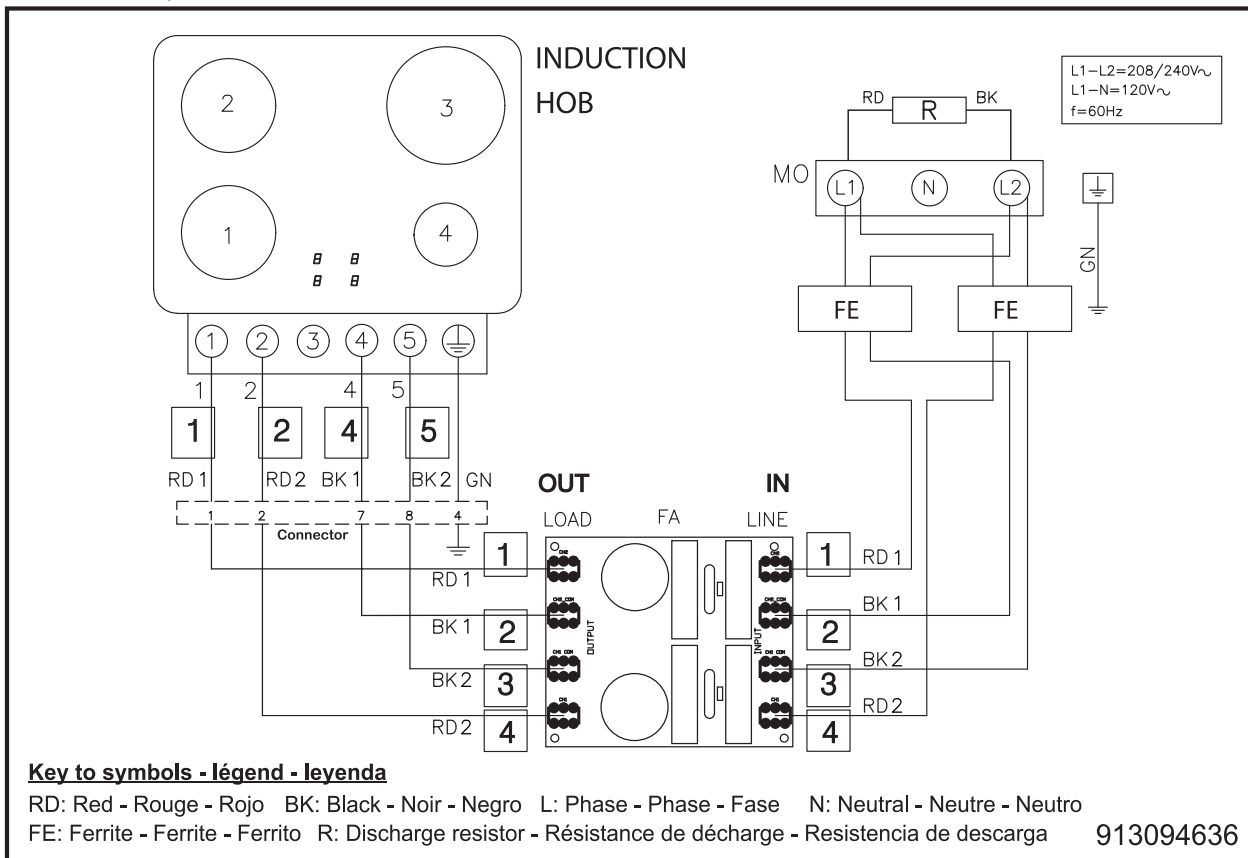
Key to symbols - leyenda	TS	Safety thermostat Thermostat de sécurité Termostato de seguridad		RG	Broil-grill element Résistance grill Resistencia grill		RS	Bottom heating element Résistance inférieure Resistencia inferior			
	MV	Cooking fan motor Ventilateur de cuisson Ventilador de coccion	RL	Relay Relais Relé		LF	Oven lamp Lampe four Lampara horno	MT	Cooling fan motor Ventilateur de refroidissement Ventilador de refrigeracion		
	RC	Upper heating element Résistance superieure Resistencia superior		CF	Selector switch contact Commutateur Commutador de funciones		SC	Printed circuit board Carte de circuits imprimés Tarjeta de circuitos impresos			
	TMp	Cooling fan for hob motor thermostat Ventilateur de refroidissement pour thermostat de moteur de table de cuisson Ventilador de refrigeracion para termostato del motor de la encimera						MP	Door microswitch Micro-interrupteur porte Microinterruptor de la puerta		
	RV	Circular heating element Résistance circulaire Resistencia circular	L	Phase Phase Fase		N	Neutral Neutre Neutro		TSL	Safety temperature limiter Limiteur de température de sécurité Limitador de temperatura de seguridad	



L1-L2=240 Vac 60Hz L1-N=120 Vac 60Hz

913094552

HIS8055U; HIS8055C



HIS8655U; HIS8655C

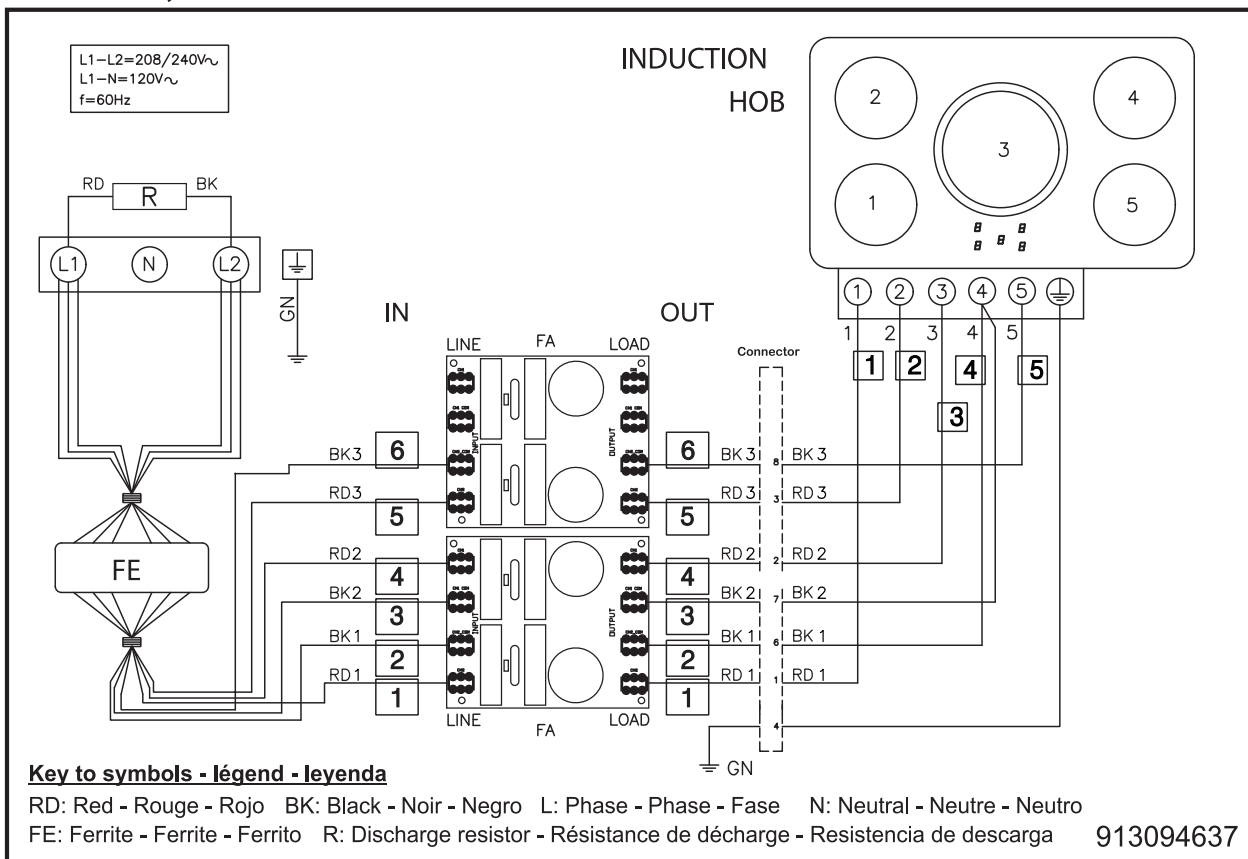


Table des matières

1 IMPORTANTES CONSIGNES DE SÉCURITÉ	21
1.1 Définitions des termes de sécurité	21
1.2 Informations générales.....	21
1.3 Consignes générales de sécurité	21
1.4 Manipulation sécuritaire des appareils	22
1.5 Lieu d'installation.....	22
1.6 Codes et normes de sécurité	22
1.7 Sécurité électrique	22
1.8 Mises en garde conformément à la proposition 65 de l'État de Californie	23
1.9 Transport	23
2 Avant de commencer.....	24
2.1 Outils et pièces nécessaires.....	24
2.2 Pièces incluses	24
2.3 Autres accessoires.....	24
2.4 Retrait de l'emballage	24
2.5 Dimensions de l'électroménager	25
2.6 Exigences concernant les armoires.....	26
2.7 Liste de contrôle pour l'installation	27
3 Procédure d'installation	27
3.1 Comment retirer la porte du four	27
3.2 Ajustement de la garniture de ventilation arrière	28
3.3 Montage des pieds réglables	28
3.4 Installer l'appareil	29
3.5 Montage de la console anti-basculement	29
3.6 Raccordement à l'alimentation électrique.....	30
3.7 Préparation à la connexion électrique	31
3.8 Liaison par cordon à quatre fils de la cuisinière (méthode recommandée).....	32
3.9 Raccordement du cordon à trois fils de la cuisinière (autre méthode).....	33
3.10 Raccordement du conduit électrique flexible à quatre fils	33
3.11 Raccordement du conduit électrique flexible à trois fils.....	34
3.12 Opération d'essai	34
4 Service à la clientèle.....	35
4.1 Numéro de modèle (E-Nr.) et numéro de fabrication (FD)	35
4.2 Emplacement de la plaque signalétique	35
5 Schémas de branchement.....	36



IMPORTANTES CONSIGNES DE SÉCURITÉ

LIRE ET CONSERVER CES INSTRUCTIONS

Lisez toutes les instructions attentivement avant l'utilisation. Ces précautions réduiront le risque d'électrocution, d'incendie et de blessure pour les personnes utilisant l'appareil. Lorsque vous utilisez des appareils électroménagers, il importe de suivre les précautions de sécurité de base, y compris celles indiquées dans les pages suivantes.

1.1 Définitions des termes de sécurité

Vous trouverez ici des explications sur les mots de signalisation de sécurité utilisés dans ce manuel.

AVERTISSEMENT

Signale un risque de mort ou de blessure grave si l'avertissement n'est pas respecté.

MISE EN GARDE

Signale un risque de blessures mineures ou modérées si l'avertissement n'est pas respecté.

AVIS :

Ceci indique que la non-conformité à cet avis de sécurité peut entraîner des dégâts matériels ou endommager l'appareil.

Remarque : Ceci vous signale des informations et/ou indications importantes.

1.2 Informations générales

Vous trouverez ici des informations générales sur ce manuel.

- Veuillez lire attentivement ce manuel.
- Respectez les consignes de sécurité et les avertissements.
- Conservez le manuel et les informations sur le produit dans un endroit sûr pour référence future ou pour le prochain propriétaire.
- Vérifiez que l'appareil n'est pas endommagé après l'avoir déballé. Ne branchez pas l'appareil s'il a été endommagé pendant le transport.

1.3 Consignes générales de sécurité

IMPORTANT : L'APPAREIL DOIT ÊTRE INSTALLÉ PAR UN INSTALLATEUR QUALIFIÉ.

IMPORTANT : CONSERVEZ CES INSTRUCTIONS POUR L'UTILISATION DE L'INSPECTEUR ÉLECTRIQUE LOCAL.

PROPRIÉTAIRE : VEUILLEZ CONSERVER CES INSTRUCTIONS POUR RÉFÉRENCE FUTURE.

INSTALLATEUR : LAISSEZ CES INSTRUCTIONS AVEC L'APPAREIL UNE FOIS L'INSTALLATION COMPLÈTE.

Examinez l'appareil après l'avoir déballé. En cas de dommage en cours de transport, ne branchez pas l'appareil.

AVERTISSEMENT

Si les consignes du présent manuel ne sont pas suivies à la lettre, il y a un risque d'incendie ou d'électrocution pouvant entraîner des dommages matériels ou des blessures.

Ne pas réparer, remplacer ni retirer toute pièce de l'électroménager à moins que cela ne soit spécifiquement recommandé par les manuels. L'installation, les réparations ou l'entretien inadéquats pourraient causer des blessures ou des dégâts matériels.

- ▶ Consulter ce manuel pour les directives d'utilisation.
- ▶ Toutes les autres réparations doivent être effectuées par un prestataire de services agréé.

AVERTISSEMENT

DANGER DE RENVERSEMENT! Un enfant ou un adulte peut renverser le four et être tué.



- ▶ Installer le dispositif anti-basculement sur la structure et / ou le four.
- ▶ Vérifiez que le dispositif anti-basculement a été correctement installé et engagé.
- ▶ Engagez le four sur le dispositif anti-basculer. Assurez-vous que le dispositif anti-basculer est réengagé lorsque la cuisinière est déplacée.
- ▶ Réengager le dispositif anti-basculement si la cuisinière est déplacée. Ne pas utiliser la cuisinière sans le dispositif anti-basculer en place et engagé.
- ▶ Voir les instructions d'installation pour plus de détails.
- ▶ Non-respect des instructions de ce manuel peut entraîner la mort ou des brûlures graves pour les enfants et les adultes.
- ▶ Vérifiez que le support anti-basculement est correctement installé et utilisé. Inclinez délicatement la cuisinière vers l'avant de l'arrière pour s'assurer que le



IMPORTANTES CONSIGNES DE SÉCURITÉ

LIRE ET CONSERVER CES INSTRUCTIONS

support anti-bascule s'engage dans la patte de la cuisinière et empêche le renversement. La portée ne doit pas dépasser 1 po (2,5 cm).

AVERTISSEMENT

Ne jamais modifier ni altérer la structure de l'appareil électroménager.

- ▶ Par exemple, ne retirez pas les pieds d'ajustement, les panneaux, les couvre-fils ou les vis ou supports anti-basculement.

Utilisez uniquement l'appareil électroménager s'il a été installé par un technicien qualifié conformément aux présentes instructions d'installation. Le fabricant ne peut pas être tenu responsable de tous dommages causés par une installation inadéquate.

AVERTISSEMENT

Retirer tout le ruban adhésif et l'emballage avant d'utiliser l'électroménager.

- ▶ Jetez l'emballage après avoir déballé l'électroménager.
- ▶ Éliminez l'emballage d'une manière respectueuse de l'environnement.
- ▶ Ne laissez jamais les enfants jouer avec le matériel d'emballage.
- ▶ Conservez les pièces de petite taille dans un endroit sûr, car elles peuvent être avalées facilement.

1.4 Manipulation sécuritaire des appareils

AVERTISSEMENT



L'unité est lourde et son déplacement exige au moins deux personnes ou encore un équipement approprié.

- ▶ Ne pas soulever l'appareil par la poignée de porte.
- ▶ Retirez la porte pour une manipulation et une installation plus faciles. Voir les instructions dans ce manuel.

AVERTISSEMENT



Certaines surfaces cachées peuvent avoir des rebords tranchants.

- ▶ Redoubler de vigilance quand vous passez la main derrière ou sous l'appareil électroménager.

- ▶ Portez des gants pour éviter de vous couper les doigts sur les rebords pointus au cours de l'installation.

1.5 Lieu d'installation

Pour éliminer le risque de brûlure ou d'incendie lorsque vous vous étirez au-dessus des surfaces chauffantes de l'électroménager, il faut éviter d'installer des armoires de rangement au-dessus de la surface de l'électroménager. Si une armoire de rangement est installée, il est possible de réduire le risque en installant une hotte qui dépasse horizontalement d'au moins 5 po (12,7 mm) le bord du fond de l'armoire.

Vérifiez que les armoires au-dessus de la cuisinière ont une profondeur maximale de 13 po (330 mm).

1.6 Codes et normes de sécurité

Cet appareil est conforme aux plus récentes versions de l'une ou plus des normes suivantes :

- CAN/CSA C22.2 no 61 - Cuisinières domestiques
- UL 858 - Cuisinières électriques domestiques

Il est de la responsabilité du propriétaire et de l'installateur de déterminer si des exigences et/ou des normes supplémentaires s'appliquent à des installations spécifiques.

1.7 Sécurité électrique

- **Installateur** - indiquez au propriétaire l'emplacement du disjoncteur ou du fusible. Identifiez sa position pour pouvoir le retrouver facilement.
- S'il y a lieu, conformément au Code national de l'électricité (ou au Code canadien de l'électricité), cet appareil doit être installé sur un circuit de dérivation séparé.
- Les codes locaux peuvent varier. L'installateur est responsable de s'assurer que l'installation, les connexions et la mise à la terre sont conformes à tous les codes applicables. Le fabricant n'est pas responsable des problèmes associés à une mauvaise installation de ce produit.
- Assurez-vous que l'appareil est correctement installé et mis à la terre par un technicien qualifié.
- Le disjoncteur doit avoir une séparation des contacts d'au moins 3 mm sur tous les pôles.
- N'utilisez pas un adaptateur.



IMPORTANTES CONSIGNES DE SÉCURITÉ

LIRE ET CONSERVER CES INSTRUCTIONS

- Voir la fiche signalétique pour plus d'information.
→ "Emplacement de la plaque signalétique", Page 35

AVERTISSEMENT

Avant l'installation, couper l'alimentation au panneau de service.

- ▶ Verrouiller le panneau de service pour empêcher que l'alimentation ne soit rétablie par accident.



RISQUE D'ÉLECTROCUTION

- ▶ Débranchez l'alimentation avant l'installation ou l'entretien. Avant de rétablir l'alimentation, s'assurer que toutes les commandes sont à la position d'arrêt (OFF).
- ▶ NE PAS enlever de raccords.
- ▶ NE PAS utiliser de rallonge.
- ▶ Une mise à la terre inadéquate peut entraîner un risque d'électrocution.
- ▶ Tout manquement à ces directives peut entraîner la mort ou une électrocution, ou déclencher un incendie.

INSTRUCTIONS DE MISE À LA TERRE

- ▶ Cet appareil doit être mis à la terre.
- ▶ La mise à la terre réduit le risque de choc électrique en fournissant une voie sûre pour le courant électrique en cas de court-circuit.
- ▶ Assurez-vous que l'appareil est correctement installé et mis à la terre par un technicien qualifié.
- ▶ L'installation, les raccordements électriques et la mise à la terre doivent être conformes avec tous les codes en vigueur.

Avant de mettre sous tension la source d'alimentation, vérifiez que toutes les commandes sont à la position OFF (Arrêt).

1.8 Mises en garde conformément à la proposition 65 de l'État de Californie

Ce produit pourrait contenir un produit chimique reconnu par l'État de la Californie comme cancérigène ou ayant des effets nocifs sur la reproduction. Par conséquent, vous pourriez devoir apposer l'étiquette suivante sur l'emballage du produit comme requis par la Californie :

AVERTISSEMENT ISSUE DE LA PROPOSITION 65 DE L'ÉTAT DE LA CALIFORNIE :

AVERTISSEMENT

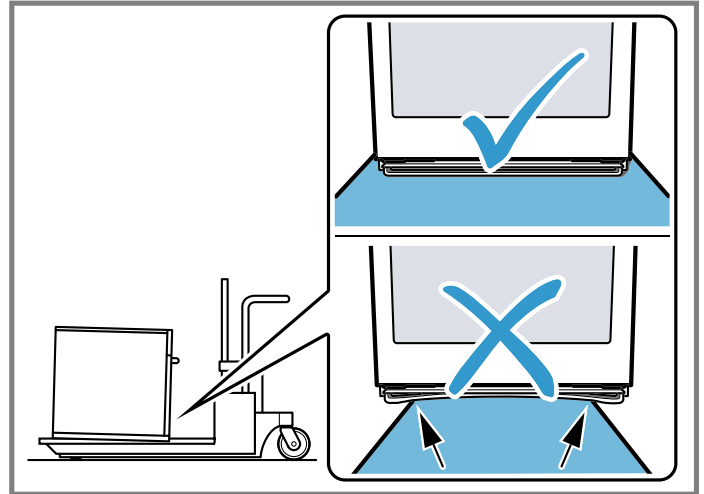
Cancer et dommages à la reproduction -
www.P65Warnings.ca.gov

1.9 Transport

Suivez ces précautions lors du transport de votre appareil.

AVIS :

Pour éviter d'endommager l'appareil, utilisez la méthode de transport illustrée ci-dessous.



2 Avant de commencer

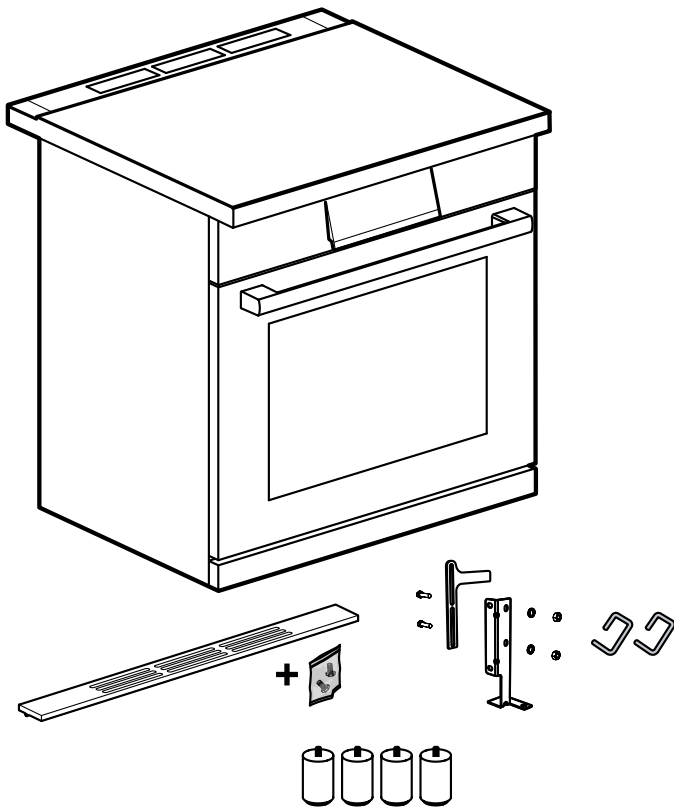
2.1 Outils et pièces nécessaires

- Tournevis cruciforme
- Tournevis plat 1/8 po (3,5 mm)
- Clé réglable
- Pinces à rainure et languette
- Prise ou clé plate de 3/8 po (10 mm) ou une pince
- Prise ou une clé plate de 7/8 po (22 mm) ou une pince
- Percez avec une mèche de 5/16 po (8 mm)
- Crayon
- Ruban à mesurer

Nécessaire uniquement pour les appareils sans cordon d'alimentation :

- Clé à pipe hexagonale avec tête d'écrou 3/8 po (10 mm)
- Clé à pipe hexagonale avec tête d'écrou 5/16 po (8 mm)
- Cordon d'alimentation (uniquement pour les États-Unis)

2.2 Pièces incluses



2.3 Autres accessoires

Vous pouvez acheter des accessoires supplémentaires auprès du service client, de revendeurs spécialisés ou sur Internet.

Vous pouvez trouver une gamme complète de votre appareil sur Internet ou dans nos brochures : www.bosch-home.com

Les accessoires sont spécifiques à l'appareil. Indiquez toujours la description exacte (n ° E) de votre appareil lors de l'achat.

Vous pouvez connaître les accessoires disponibles pour votre appareil dans la boutique en ligne ou auprès du service client.

Côté d'extension du panneau

Utilisation

- Couvercle latéral pour appareils sans éléments de cuisine adjacents.
- Numéro de commande : HEZ9YZ04UC

Bordure inférieure de protection pour les électroménagers de 30 po

Utilisation

- Bordure inférieure pour dissimuler les pieds de l'appareil.
- Numéro de commande : HEZ9TK30UC

Bordure inférieure de protection pour les électroménagers de 36 po

Utilisation

- Bordure inférieure pour dissimuler les pieds de l'appareil.
- Numéro de commande : HEZ9TK36UC

Pieds de cuisinière en métal

Utilisation

- Ensemble (4 pièces) de pieds de gamme qualité supérieure.
- Numéro de commande : HEZ9LLUC

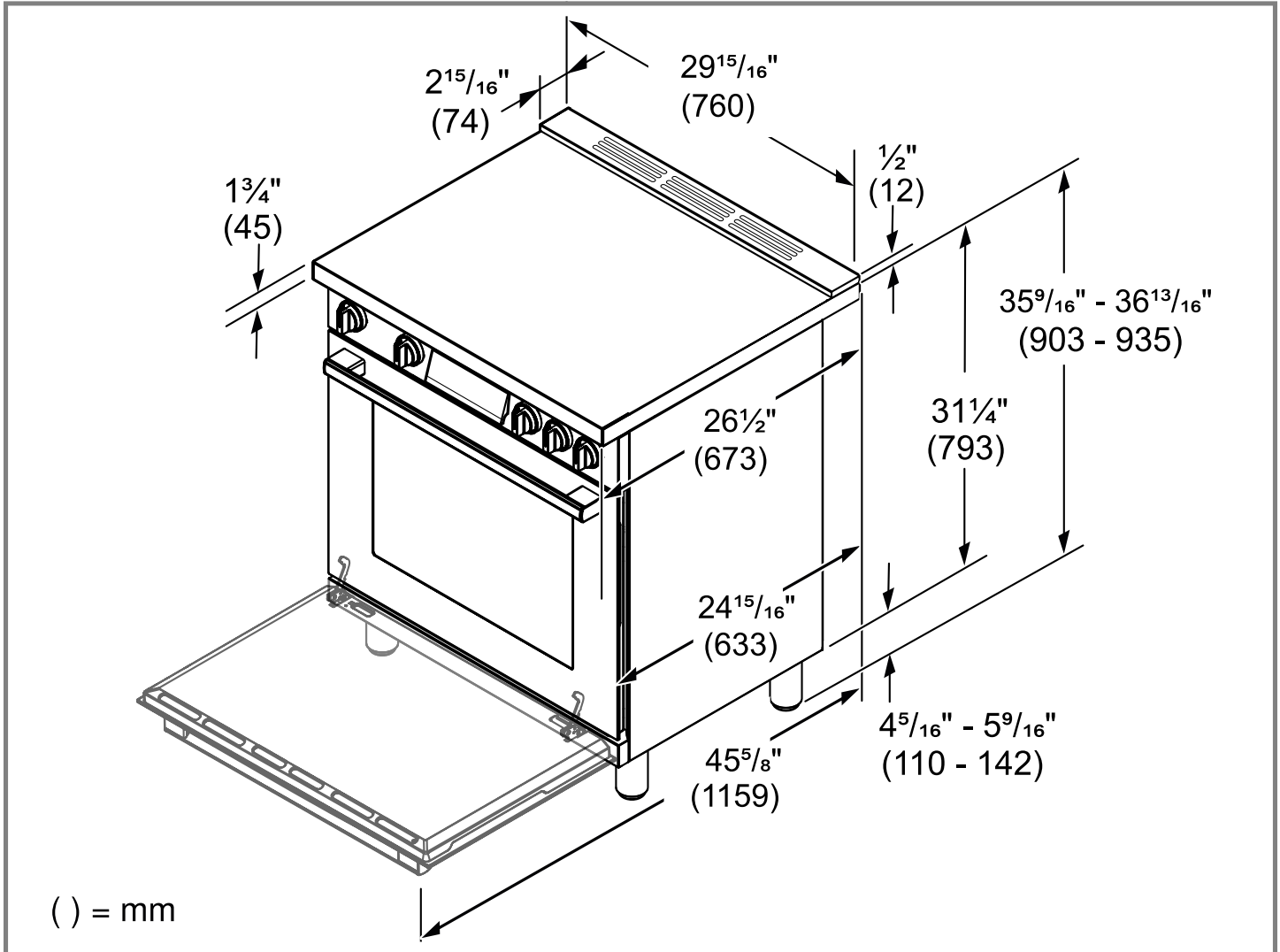
2.4 Retrait de l'emballage

Voir le schéma sur l'emballage.

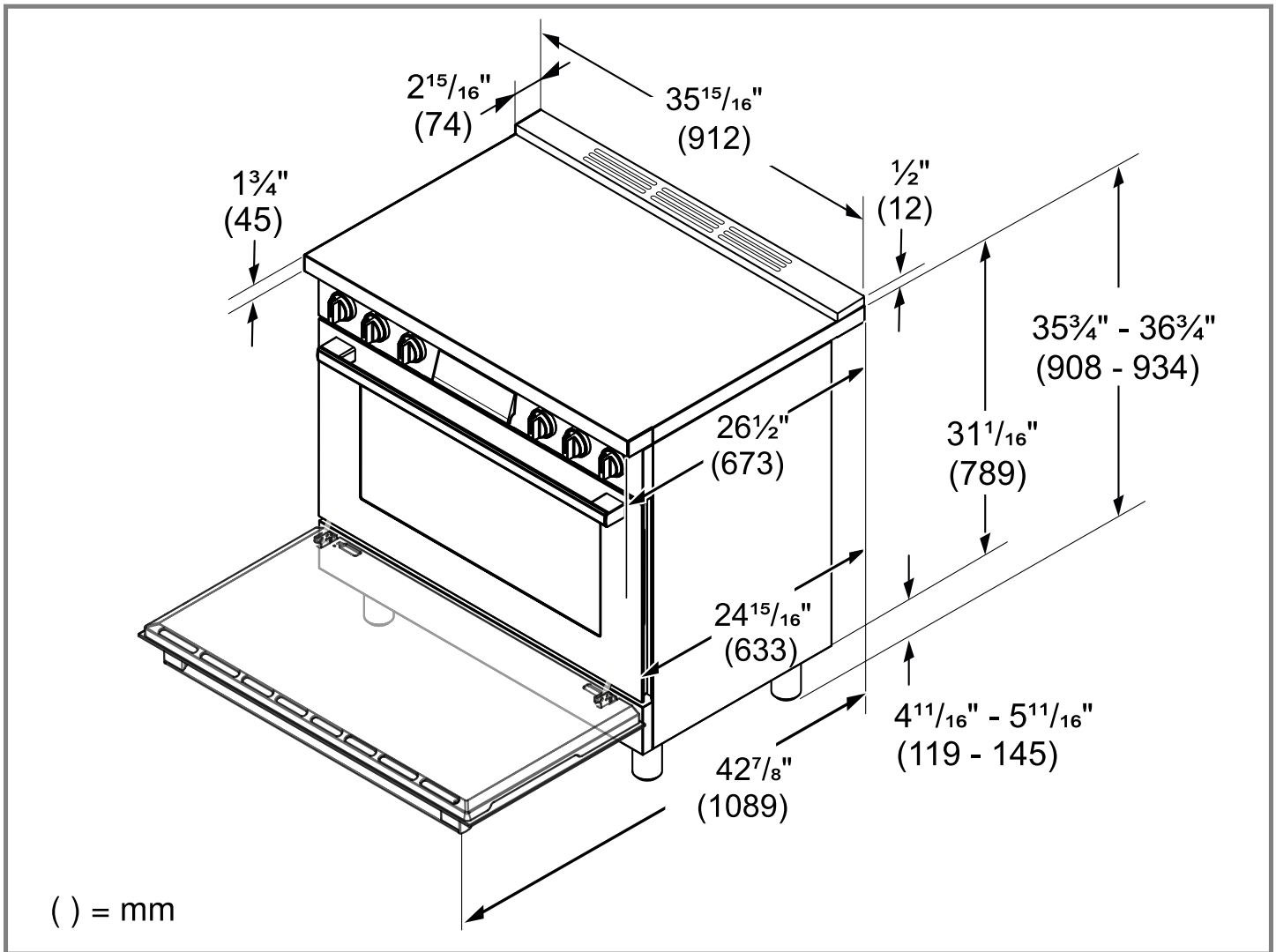
1. S'il y a des sangles, coupez-les.
2. Coupez le plastique à l'arrière de l'appareil en vous assurant de ne pas couper l'appareil.
3. Retirez le film protecteur.
4. Soulevez l'étui en carton du haut de gamme et jetez-le.
5. Enlevez les montants d'angle en vous assurant que tous les autres matériaux d'emballage se trouvant entre les montants d'angle sont également enlevés.
6. Retirez tous les emballages internes et le ruban adhésif.
7. La garniture de ventilation arrière est imbriquée dans l'emballage en polystyrène pour les besoins de l'expédition. Ne pas le jeter.

2.5 Dimensions de l'électroménager

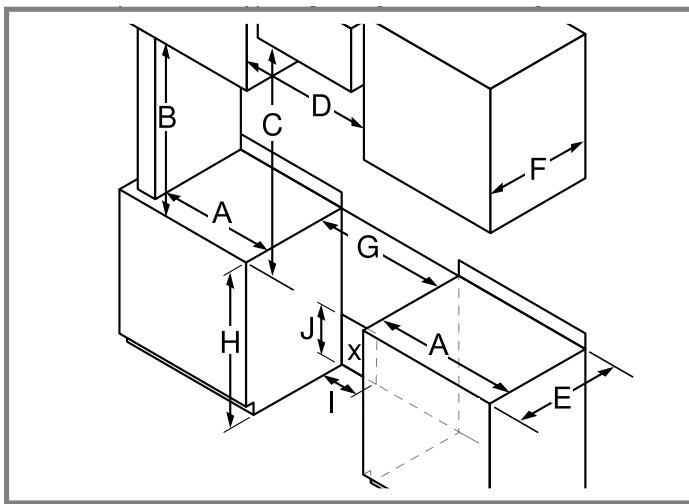
Cuisinières de 30 po



Cuisinières de 36 po



2.6 Exigences concernant les armoires



C	dégagement minimal de 30 po (762 mm) entre le dessus de la surface de cuisson et le dessous de l'armoire en bois ou en métal non protégée
D	30 po : min. 30 po (762 mm) 36 po : min. 36 po (914 mm)
E	min. 25 po (635 mm)
F	max. 13 po (330 mm)
G	30 po : min. 30 po (762 mm) 36 po : min. 36 po (914 mm) Dégagement nul entre la construction de combustible adjacente en dessous de la surface du comptoir et les côtés de l'appareil.
H	35 3/8 po - 36 5/8 po (898 - 930 mm)
I	max. 11 po (279 mm)
J	max. 7 po (178 mm)

De la surface de cuisson aux matériaux latéraux : aucun dégagement n'est requis entre les murs de l'unité et les murs combustibles verticaux adjacents à l'arrière, à droite ou à gauche.

X Prise de mise à la terre

Les distances qui doivent être maintenues lors de l'installation de la cuisinière doivent être :

A	min. 7 po (178 mm)
B	min. 18 po (457 mm)

2.7 Liste de contrôle pour l'installation

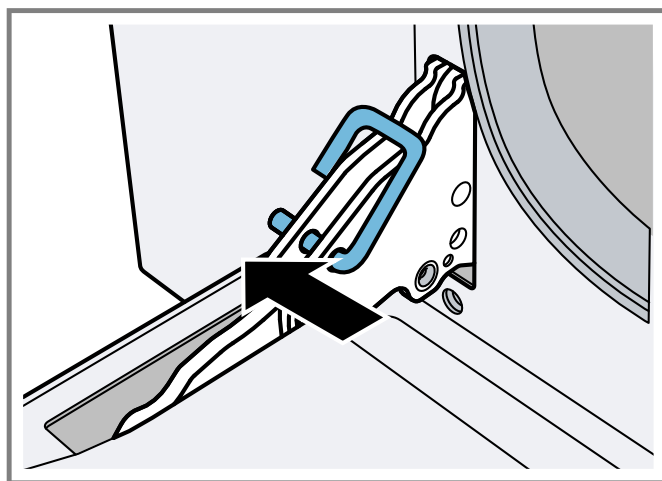
Veillez consulter les pages suivantes pour les instructions d'installation complètes. Utilisez cette liste de contrôle pour vérifier que vous avez terminé chaque étape du processus d'installation. Cela peut vous aider à éviter de commettre des erreurs.

✓	Étape d'installation
	Avant d'installer la cuisinière, assurez-vous que les dimensions du caisson sont correctes pour votre appareil et que les connexions électriques et gaz nécessaires sont présentes.
	Avant d'installer la gazinière, veuillez vous assurer que tout orifice dans le mur derrière l'appareil et dans le plancher sous l'appareil est scellé.
	Lisez ce manuel d'installation pour le contenu concernant la sécurité, les dimensions de l'armoire, le retrait de l'emballage, l'installation électrique et le service à la clientèle.
	Le retrait de la porte du four avant l'installation réduit le poids unitaire et facilite le déplacement de l'appareil. De plus, le retrait de la porte du four donne accès à des poignées pour la levée.
	Installez et ajustez les pieds.
	Placez la cuisinière (2 personnes nécessaires) devant l'ouverture d'installation, en laissant l'emballage inférieur sur l'appareil pour éviter d'endommager le revêtement de sol.
	Branchez la cuisinière dans une prise de courant correctement configurée.
	Protégez le revêtement de sol contre les dommages, puis faites glisser l'appareil jusqu'en place tout en veillant à ce que le cordon d'alimentation soit correctement installé.
	Réinstallez la porte du four.
	Assurez-vous que le support anti-bascule est engagé lorsque la cuisinière est déplacée.

- ▶ Pour éviter toute blessure causée par l'enclenchement soudain du support de charnière, s'assurer que les deux leviers sont bien enclenchés avant d'enlever la porte.
- ▶ Ne forcez pas la porte pour l'ouvrir ou la fermer. La charnière pourrait être endommagée et provoquer des dommages ou des blessures.
- ▶ Ne pas déposer la porte sur des objets acérés ou pointus, car ils risquent de briser la vitre. Posez-la sur une surface plane et lisse, positionnée de manière à ce que la porte ne puisse pas tomber.

Remarque : Pour éviter de vous blesser ou d'endommager l'appareil, lisez attentivement l'AVERTISSEMENT ci-dessus avant d'essayer d'enlever la porte du four.

1. Ouvrez la porte du four dans sa position complètement ouverte.
2. Verrouillez les charnières gauche et droite à l'aide de la goupille de verrouillage. Les goupilles de verrouillage doivent être complètement insérées dans les trous des charnières.



3 Procédure d'installation

3.1 Comment retirer la porte du four

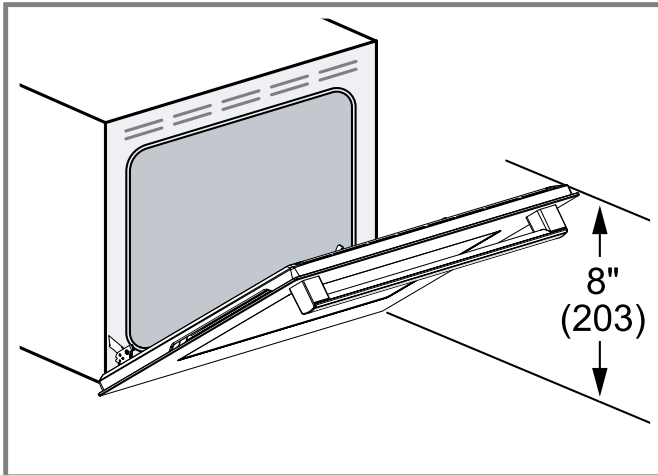
⚠ AVERTISSEMENT

Le non-respect de ces instructions lors du retrait de la porte du four peut entraîner des blessures ou endommager le produit.

- ▶ Avant de démonter la porte, s'assurer que le four soit froid et que le courant qui l'alimente a été coupé. Le non-respect de cette précaution pourrait entraîner un choc électrique ou des brûlures.
- ▶ La porte du four est lourde et certaines parties sont fragiles. Utilisez les deux mains pour retirer la porte du four.
- ▶ Le devant de la porte est en verre. Manipulez-la avec précaution pour éviter des cassures.
- ▶ Saisir uniquement les côtés de la porte. Ne saisissez pas la poignée. Il peut osciller dans votre main et provoquer des dommages ou des blessures. Si la porte du four n'est pas saisie fermement et correctement, il y a un risque de blessure ou de dommage à l'appareil.

3. **⚠ MISE EN GARDE** La fermeture de la porte de 8 po (203 mm) enlève la pression du ressort. Si cela n'est pas fait, la porte peut toujours être retirée, mais le loquet peut se refermer et vous pincer ou vous couper la main.

Fermez la porte du four jusqu'à ce qu'elle s'enclenche sur les leviers d'arrêt des charnières tout en verrouillant ces dernières selon l'angle correct pour le retrait de la porte. La porte peut être retirée lorsqu'elle est soulevée d'environ 8 pouces (203 mm) de la position ouverte. La tension des charnières à ressort est ainsi relâchée, ce qui permet à la porte de s'ouvrir facilement.



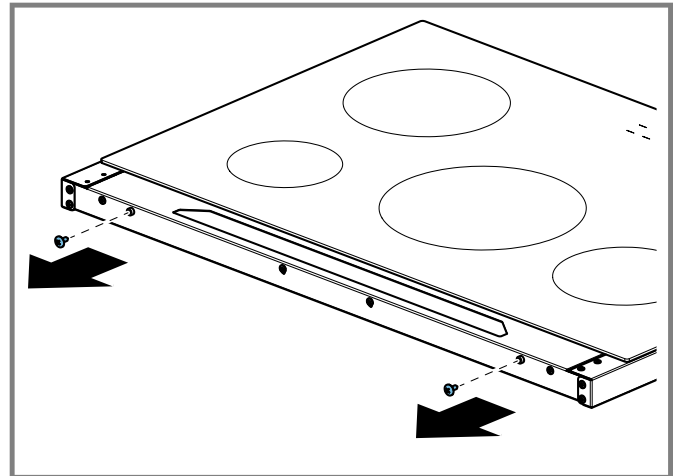
4. La porte est lourde. Utilisez les deux mains pour le saisir fermement par les côtés. Ne saisissez pas la porte par la poignée. En maintenant l'angle de la porte au même niveau, soulevez cette dernière d'environ 3/4 po (19 mm) vers le haut pour décrocher les charnières des fentes. Tirez la porte vers vous jusqu'à ce que les charnières soient dégagées du boîtier du four.
5. Placez la porte dans un endroit pratique et stable pour le nettoyage.
6. Remplacez la porte dans l'ordre inverse dans lequel elle a été retirée.

Remarque : Ne jetez pas les goupilles de verrouillage. Gardez-les en lieu sûr. Ils seront nécessaires chaque fois que la porte sera retirée de l'appareil.

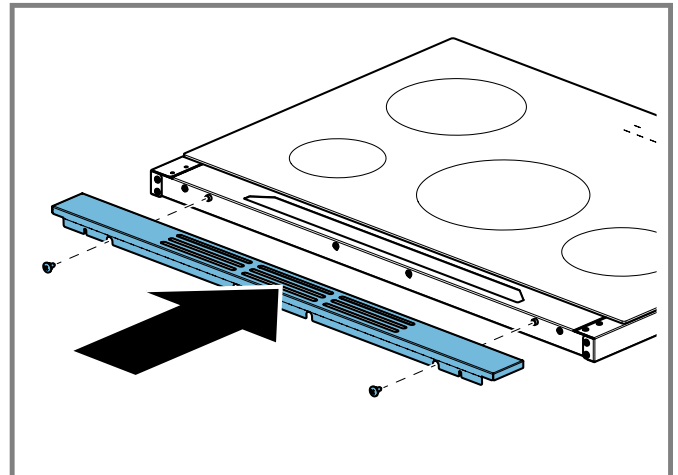
3.2 Ajustement de la garniture de ventilation arrière

1. La garniture de ventilation arrière est imbriquée dans l'emballage en polystyrène. Retirez l'emballage et le film protecteur de la garniture de ventilation arrière. Retirez le sac avec les 2 vis fixées à la garniture de ventilation arrière.

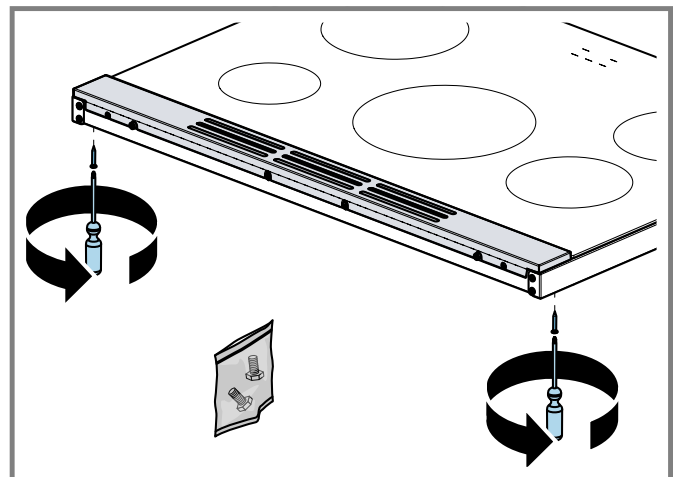
2. Retirez les 2 vis de la garniture arrière de la cuisinière.



3. Placez la garniture de ventilation arrière sur le cadre de la cuisinière et fixez-la avec les 2 vis retirées à l'étape précédente.



4. Retirez les vis du sac joint puis insérez-les et serrez-les par le bas.



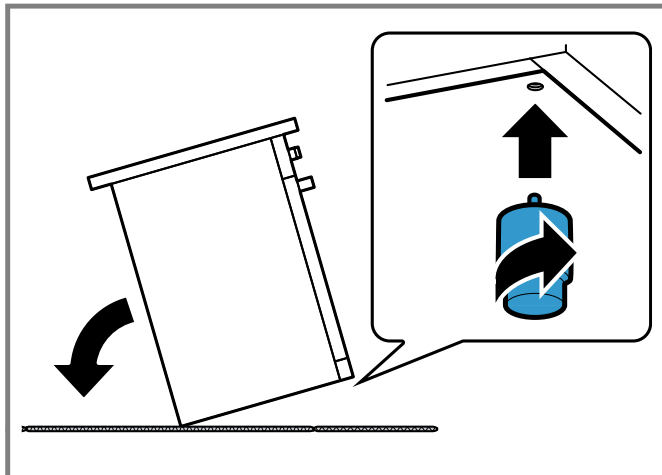
3.3 Montage des pieds réglables

1. Retirez toutes les pièces qui ne sont pas fixées de façon permanente, en particulier les supports de casseroles et les brûleurs.
2. **⚠ MISE EN GARDE** Protégez le plancher.

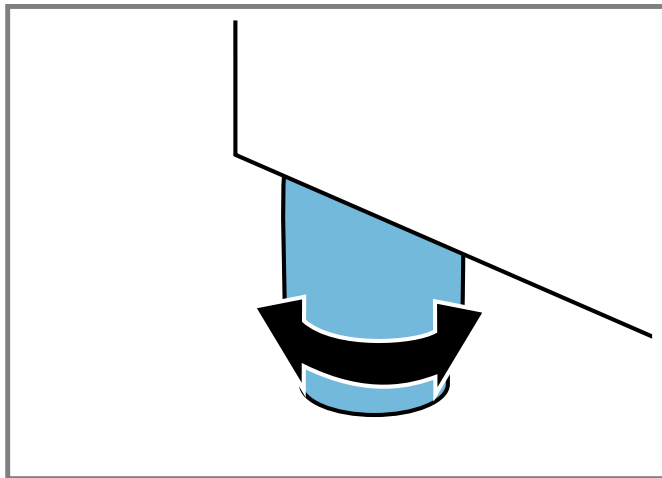
Retirez les accessoires du four.

3. **⚠ MISE EN GARDE** N'utilisez pas la poignée de porte ou le panneau de commande de projection pour transporter.

Inclinez l'appareil et le mettre au plancher sur le côté arrière.



4. Vissez les pieds réglables dans les trous de fixation sur la face inférieure de l'appareil.
Si l'appareil doit être déplacé de nouveau, vissez les pieds réglables complètement.
5. Soigneusement replacer l'appareil sur les pieds.
6. Pour aligner l'appareil, faites pivoter les pieds réglables.



Remarque : Mesurez la hauteur de montage de l'armoire et ajustez la hauteur de l'appareil en conséquence avant de le placer dans l'armoire.

3.4 Installer l'appareil

⚠ AVERTISSEMENT
DANGER DE RENVERSEMENT! Un enfant ou un adulte peut renverser le four et être tué.

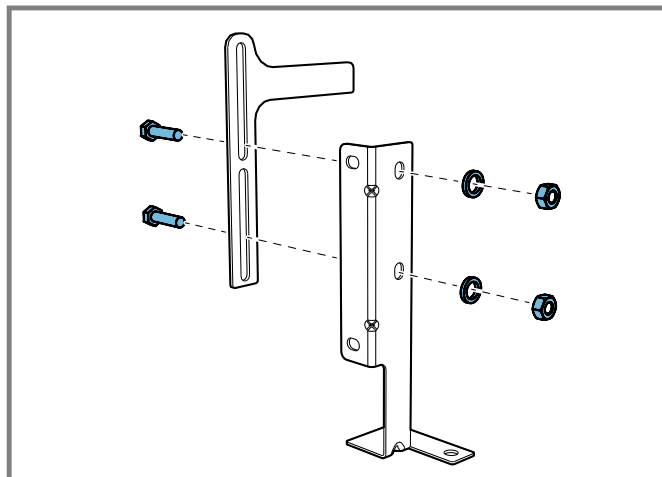


- ▶ Installer le dispositif anti-basculément sur la structure et / ou le four.
- ▶ Vérifiez que le dispositif anti-basculément a été correctement installé et engagé.

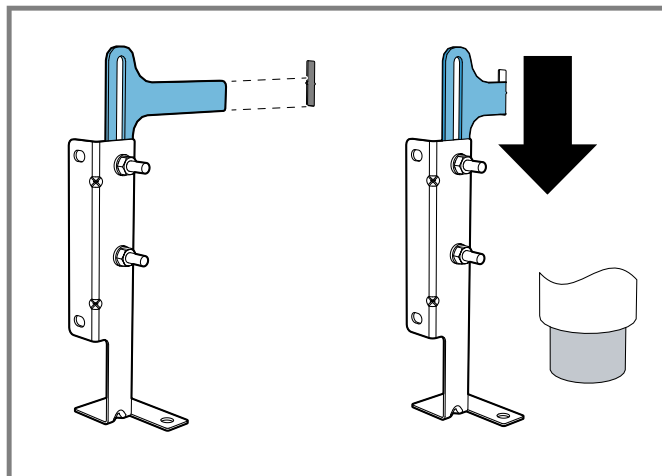
- ▶ Engagez le four sur le dispositif anti-basculément. Assurez-vous que le dispositif anti-basculément est réengagé lorsque la cuisinière est déplacée.
- ▶ Réengager le dispositif anti-basculément si la cuisinière est déplacée. Ne pas utiliser la cuisinière sans le dispositif anti-basculément en place et engagé.
- ▶ Voir les instructions d'installation pour plus de détails.
- ▶ Non-respect des instructions de ce manuel peut entraîner la mort ou des brûlures graves pour les enfants et les adultes.
- ▶ Vérifiez que le support anti-basculément est correctement installé et utilisé. Inclinez délicatement la cuisinière vers l'avant de l'arrière pour s'assurer que le support anti-basculément s'engage dans la patte de la cuisinière et empêche le renversement. La portée ne doit pas dépasser 1 po (2,5 cm).

3.5 Montage de la console anti-basculément

1. Veillez à ce que le raccordement électrique et le raccordement du gaz soient en position correcte.
2. Assemblez les supports.

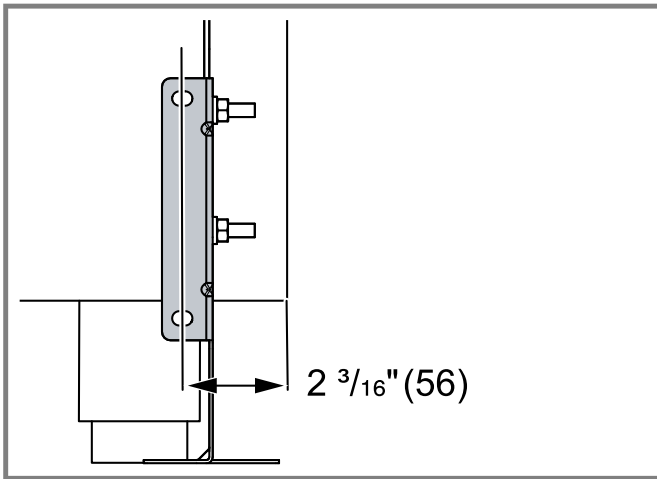


3. Orientez la base du crochet du support avec la base de la fente du support de fixation murale arrière. Alignez la base du support de fixation avec le sol et serrez les vis pour fixer les mesures.

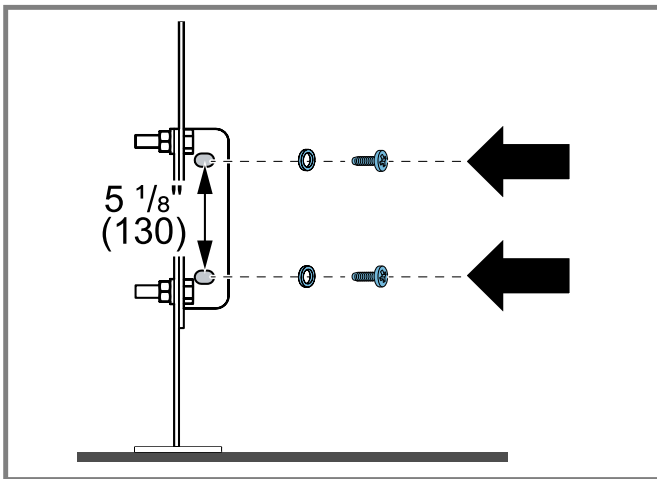


4. Pour le montage mural, procéder aux étapes 5 - 7 et 10. Pour le montage au sol, procédez comme suit 8 - 9 et 10.

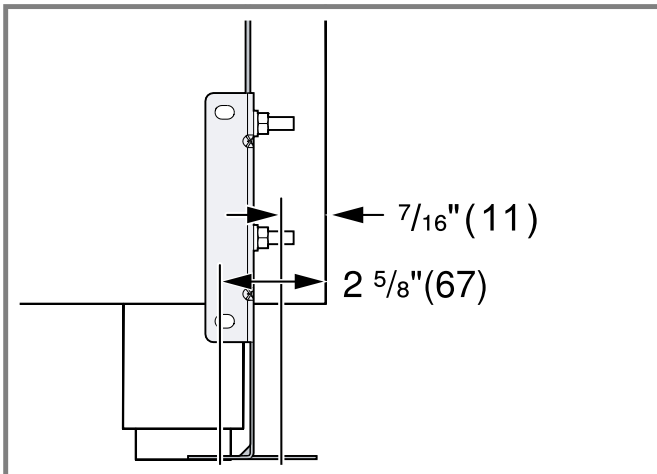
5. Respectez la distance spécifiée entre le côté de l'appareil et les trous des supports.



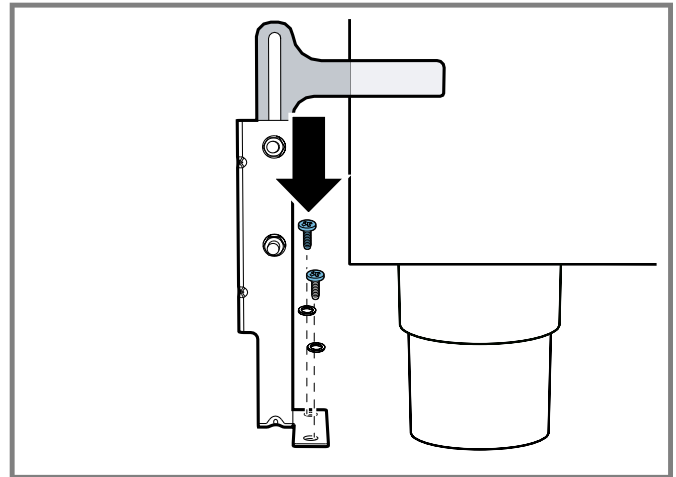
6. Déplacez le support sur le mur et fixer avec les deux rondelles et vis. Un technicien qualifié doit vérifier l'adéquation des matériaux en fonction du type et de l'état du mur.



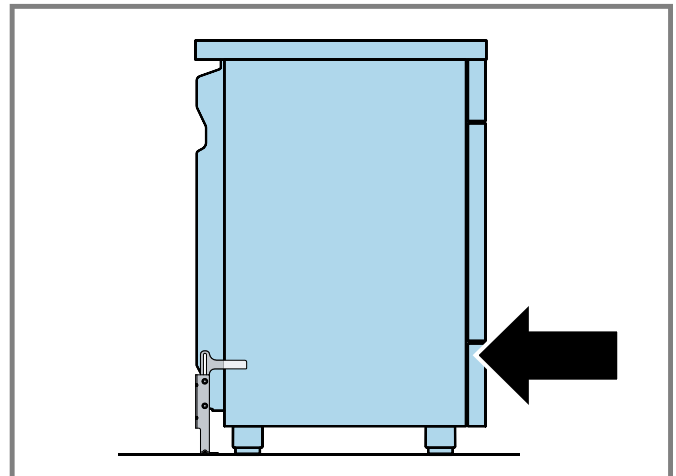
7. Respectez les distances suivantes pour déterminer la distance entre le côté de l'appareil et les trous des supports.



8. Après avoir positionné et mis à niveau l'appareil, rapprochez le support à l'arrière de l'appareil et fixez-le au sol avec les deux rondelles et vis. Un technicien qualifié doit vérifier l'adéquation des matériaux en fonction du type et de l'état du sol.




9. Déplacez la cuisinière vers le mur et, en même temps, insérez le support dans la plaque fixée à l'arrière de l'appareil.

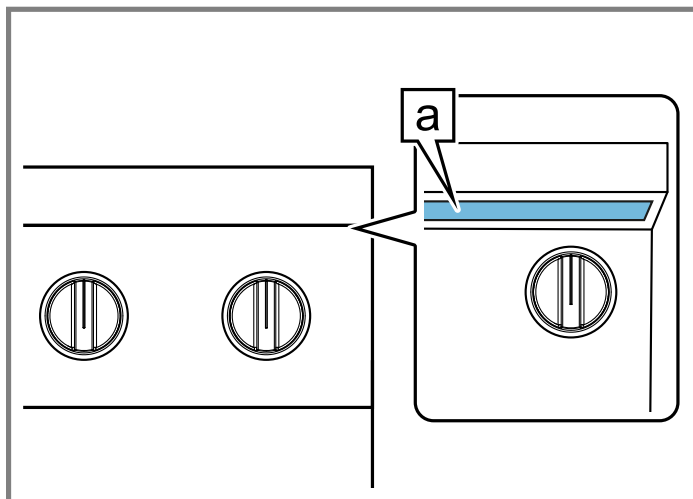


10. **⚠ AVERTISSEMENT** La garniture de ventilation arrière présente des espacements de 3/16 po (5 mm) pour maintenir l'appareil légèrement éloigné du mur arrière. Ne retirez pas ou ne modifiez pas les espacements en raison de problèmes potentiels de température.
Vérifiez que le support anti-basculement est correctement installé et utilisé. Inclinez délicatement la cuisinière vers l'avant de l'arrière pour s'assurer que le support anti-bascule s'engage dans la patte de la cuisinière et empêche le renversement. La cuisinière ne doit pas bouger de plus de 1 po (2,5 cm).

3.6 Raccordement à l'alimentation électrique

Cette cuisinière à double carburant peut être connectée à l'aide d'un cordon de cuisinière électrique ou à l'aide d'une connexion électrique à conduit flexible. La longueur doit être d'au moins 5 pi (1,5 m).

Pour les spécifications techniques, voir l'étiquette signalétique  sur le dessous du panneau de commande de projection.



N'utilisez pas plusieurs prises, rallonges ou adaptateurs.

Remarque

- Au Canada, la cuisinière est expédiée de l'usine avec le cordon d'alimentation déjà installé.
- Nous recommandons que seules des personnes qualifiées puissent ajouter un cordon d'alimentation ou effectuer les raccordements électriques de cet appareil.

Pour les installations autres que celles au Canada, connectez le cordon d'alimentation au bornier. Accédez au bornier en retirant le couvercle situé dans le coin inférieur droit du panneau arrière de la cuisinière.

⚠ AVERTISSEMENT

INSTRUCTIONS DE MISE À LA TERRE ÉLECTRIQUE

- ▶ L'électroménager (HIS8..5C) est doté d'une fiche à quatre broches mise à la terre pour vous protéger contre le danger d'électrocution. La fiche doit être utilisée dans une prise correctement mise à la terre. Ne pas enlever ni couper la broche de mise à la terre de la fiche.

3.7 Préparation à la connexion électrique

⚠ AVERTISSEMENT

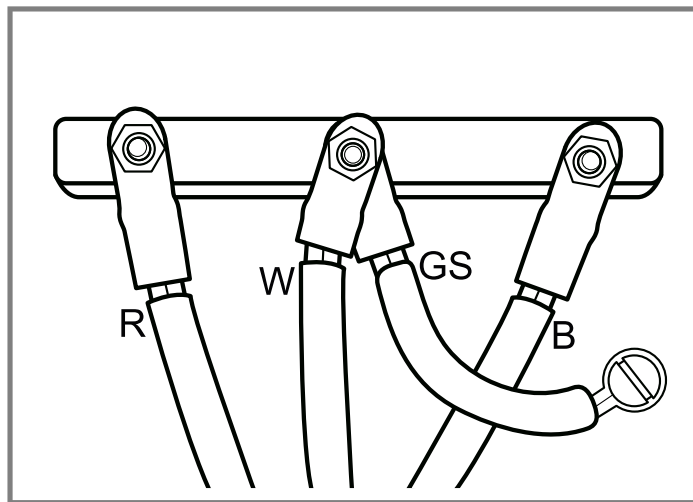
Risque d'électrocution ou de feu. La mise à la terre via le conducteur neutre est interdite pour les nouvelles installations de circuit de dérivation (NEC 1996), les caravanes et les véhicules récréatifs, ou dans une zone où les codes locaux interdisent la mise à la terre via le conducteur neutre.

Les installations pour lesquelles la mise à la terre via le conducteur neutre est interdite : (a) déconnectez la liaison du neutre, (b) utilisez la borne de mise à la terre ou le conducteur de dérivation du neutre, (c) connectez la borne du neutre au conducteur de dérivation du neutre de façon habituelle. Lorsque l'appareil est connecté grâce à d'une trousse de câbles électriques, utilisez à cet effet un câble à 4 conducteurs.

Utilisez uniquement des trousse de cordons de 208/240 volts, 50 ampères, avec un connecteur de type à anneau ou à fourche et étiquetés « Pour une utilisation avec des cuisinières ». Utilisez uniquement des conduits flexibles avec des fils avec des connecteurs à anneau ou à fourche. Le réducteur de tension fourni avec le câble électrique doit être installé selon les instructions fournies avec ce dernier.

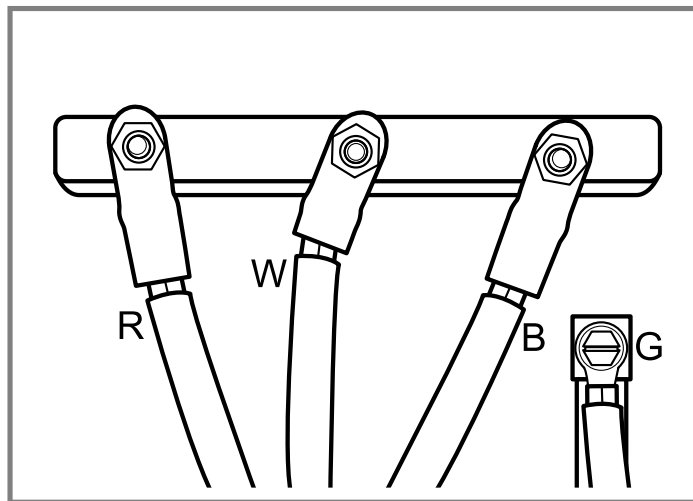
Les écrous pour la fixation du câble d'alimentation sont livrés séparément dans un sac d'accessoires.

Branchement à 3 fils



R	Rouge
W	Blanc
GS	Bande de mise à la terre
B	Noir

Branchement à 4 fils



R	Rouge
W	Blanc
G	Vert
B	Noir

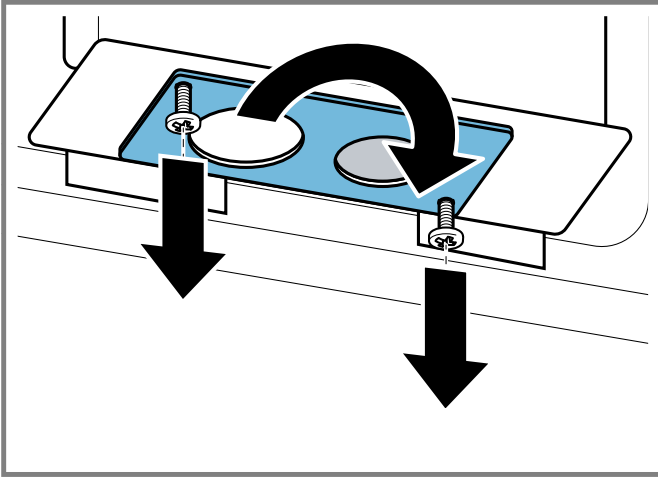
⚠ AVERTISSEMENT

Pour éviter tout risque de choc électrique, la prise de terre du cordon de la cuisinière ne doit en aucun cas être coupée ou retirée.

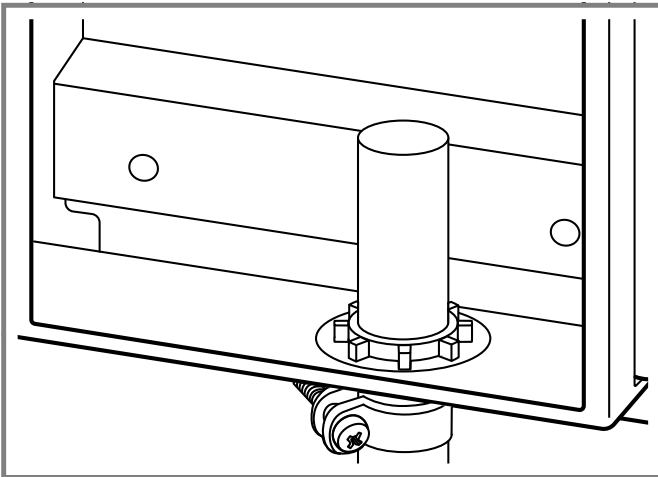
- ▶ Elle doit être reliée à une prise de type mise à la terre adaptée et connecté à un circuit de 240 volts correctement polarisé.
- ▶ En cas de doute concernant la mise à la terre appropriée de la prise murale, le faites-la vérifier par un électricien qualifié.

3.8 Liaison par cordon à quatre fils de la cuisinière (méthode recommandée)

1. Débranchez l'alimentation électrique au niveau du boîtier des disjoncteurs. Retirez le couvercle du bornier pour mettre le bornier à découvert.
2. Si vous avez besoin d'un trou plus grand pour la décharge de traction (non fourni avec la cuisinière), retirez la plaque métallique. Faites-le pivoter de 180 ° pour avoir un plus grand trou pour le câble d'alimentation et montez-le à nouveau.

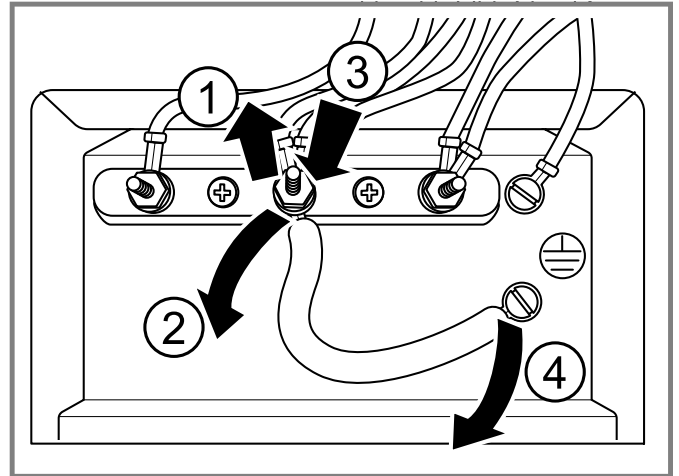


3. Insérez le câble d'alimentation électrique dans le bornier en le faisant passer par le trou inférieur.
4. Montez le réducteur de tension (non fourni avec la cuisinière) à travers le trou de la plaque métallique dans le panneau arrière situé sous le bornier et fixez fermement. Acheminez les fils du câble d'alimentation à travers la décharge de traction et serrez la pince.

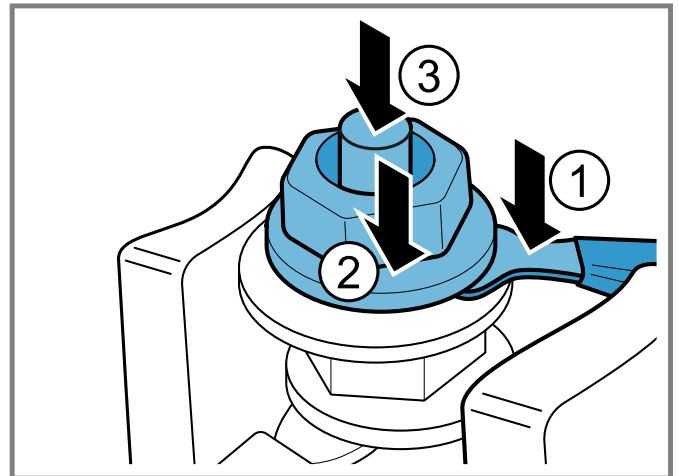


Assurez-vous que la décharge de traction est correctement fixée.

5. Retirez la barrette de mise à la terre du poteau central du bornier. Retirez ainsi l'écrou hexagonal de la broche neutre. Retirez le connecteur de type fourche de la liaison de mise à la terre. Remontez l'écrou hexagonal sur la broche neutre. Retirez la vis hexagonale verte et le raccord annulaire de la prise de terre. La sangle ne sera pas nécessaire. Retirez-la de l'appareil.



6. Fixez le fil de terre isolé au trou de terre à l'aide de la vis de mise à la terre verte. Vissez fermement la vis hexagonale verte, mais ne serrez pas trop fort.
7. Insérez la rondelle plate.
8. Fixez le fil rouge à la borne gauche du bloc de raccordement à l'aide d'un des écrous hexagonaux.



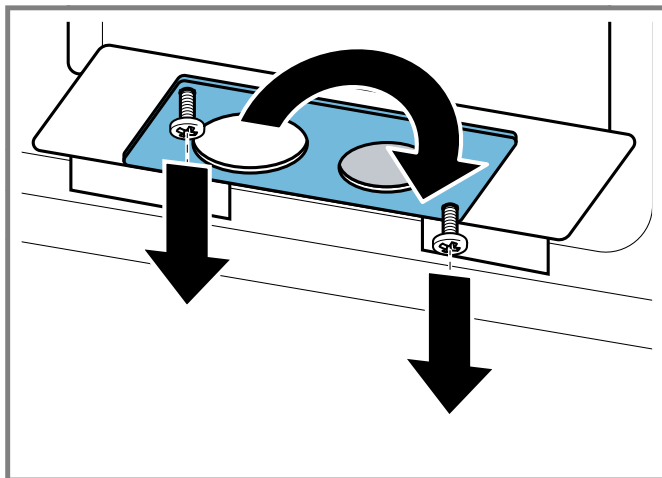
9. Fixez le fil blanc à la borne centrale du bloc de raccordement à l'aide d'un des écrous hexagonaux.
10. Raccordez le fil noir à la borne droite du bloc de raccordement à l'aide d'un des écrous hexagonaux.
11. Vissez bien tous les raccordements et remplacez le couvercle du bornier.

Ne branchez pas la cuisinière à ce moment.

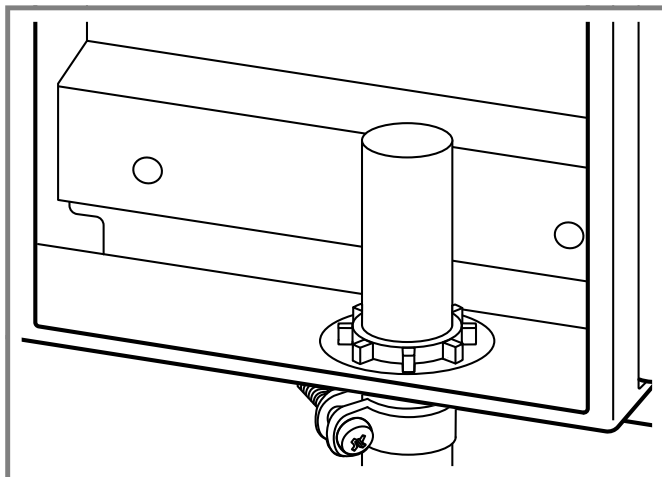
3.9 Raccordement du cordon à trois fils de la cuisinière (autre méthode)

La liaison à quatre fils (ci-dessus) est préférable, mais lorsque les codes et arrêtés municipaux permettent la mise à la terre par le neutre et lorsque la conversion en liaison à quatre fils n'est pas pratique, l'appareil peut être raccordé à l'alimentation par une liaison à trois fils.

1. Débranchez l'alimentation électrique au niveau du boîtier des disjoncteurs. Retirez le couvercle du bornier pour mettre le bornier à découvert.
2. Si vous avez besoin d'un trou plus grand pour la décharge de traction (non fourni avec la cuisinière), retirez la plaque métallique. Faites-le pivoter de 180 ° pour avoir un plus grand trou pour le câble d'alimentation et montez-le à nouveau.



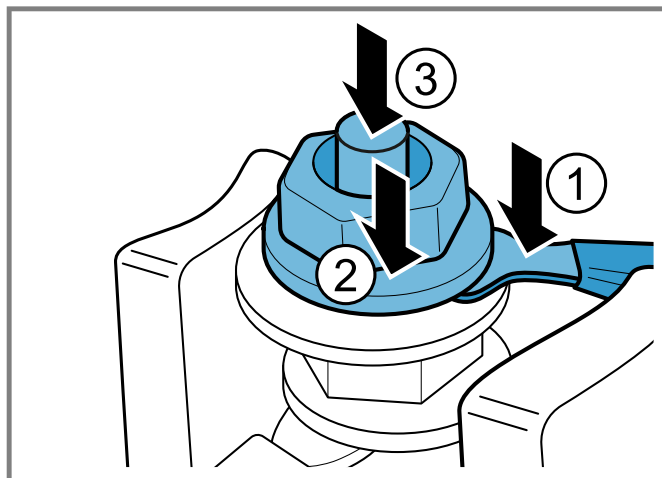
3. Insérez le câble d'alimentation électrique dans le bornier en le faisant passer par le trou inférieur.
4. Montez le réducteur de tension (non fourni avec la cuisinière) à travers le trou de la plaque métallique dans le panneau arrière situé sous le bornier et fixez fermement. Acheminez les fils du câble d'alimentation à travers la décharge de traction et serrez la pince.



Assurez-vous que la décharge de traction est correctement fixée.

5. Insérez la rondelle plate.

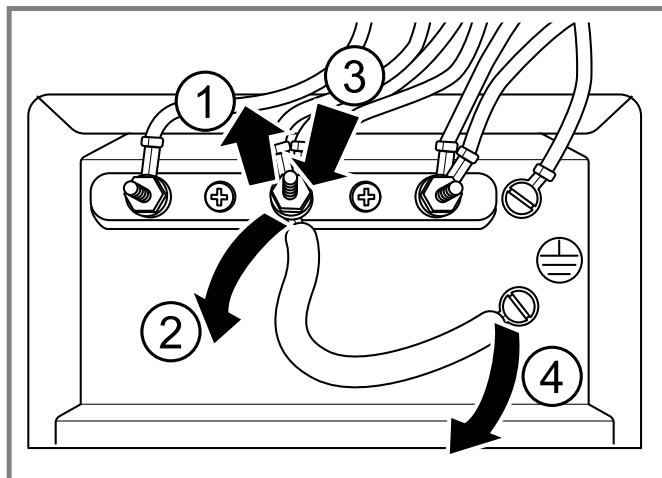
6. Fixez le fil rouge à la borne gauche du bloc de raccordement à l'aide d'un des écrous hexagonaux.



7. Fixez le fil blanc à la borne centrale du bloc de raccordement à l'aide d'un des écrous hexagonaux.
8. Raccordez le fil noir à la borne droite du bloc de raccordement à l'aide d'un des écrous hexagonaux.
9. Vissez bien tous les raccordements et remplacez le couvercle du bornier.
Ne branchez pas la cuisinière à ce moment.

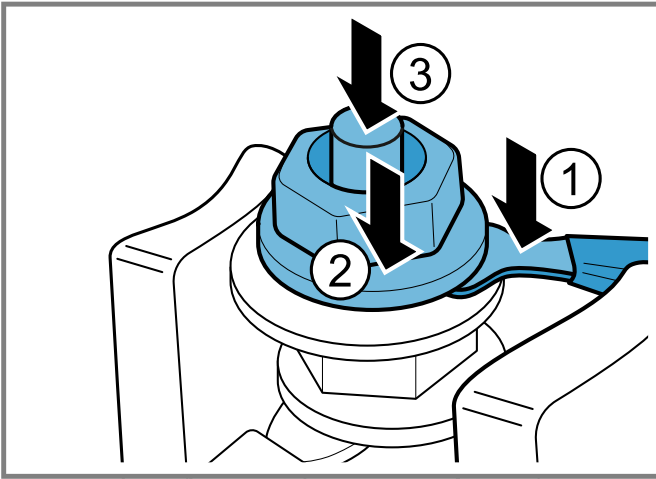
3.10 Raccordement du conduit électrique flexible à quatre fils

1. Débranchez l'alimentation électrique au niveau du boîtier des disjoncteurs. Retirez le couvercle du bornier pour mettre le bornier à découvert.
2. Insérez le câble d'alimentation électrique dans le bornier en le faisant passer par le trou inférieur.
3. Retirez la barrette de mise à la terre du poteau central du bornier. Retirez ainsi l'écrou hexagonal de la broche neutre. Retirez le connecteur de type fourche de la liaison de mise à la terre. Remontez l'écrou hexagonal sur la broche neutre. Retirez la vis hexagonale verte et le raccord annulaire de la prise de terre. La sangle ne sera pas nécessaire. Retirez-la de l'appareil.



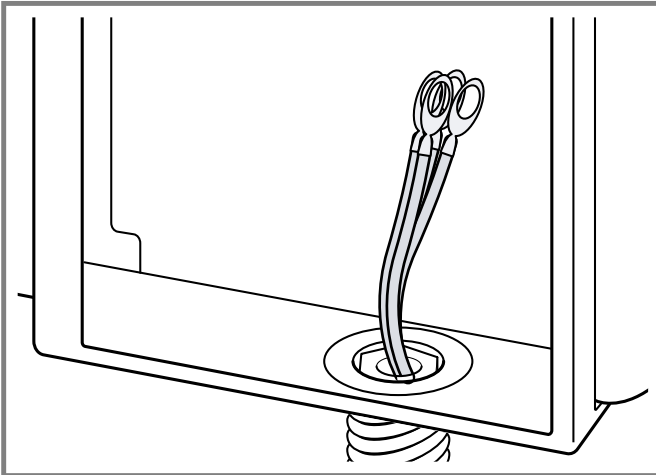
4. Fixez le fil de terre isolé au trou de terre à l'aide de la vis de mise à la terre verte. Vissez fermement la vis hexagonale verte, mais ne serrez pas trop fort.
5. Insérez la rondelle plate.

6. Fixez le fil rouge à la borne gauche du bloc de raccordement à l'aide d'un des écrous hexagonaux.



7. Fixez le fil blanc à la borne centrale du bloc de raccordement à l'aide d'un des écrous hexagonaux.
8. Raccordez le fil noir à la borne droite du bloc de raccordement à l'aide d'un des écrous hexagonaux.
9. **⚠ AVERTISSEMENT** Le cordon de sûreté fournie avec votre cordon de cuisinière doit être installé convenablement.

Sécurisez convenablement le cordon de sûreté.



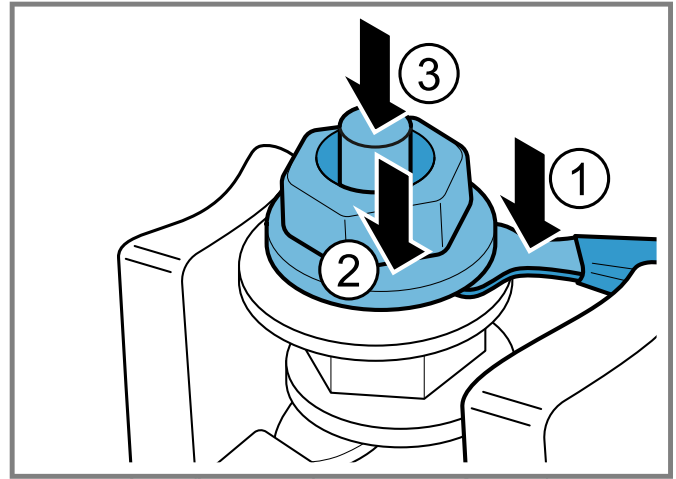
10. Vissez bien tous les raccordements et remplacez le couvercle du bornier.
Ne branchez pas la cuisinière à ce moment.

3.11 Raccordement du conduit électrique flexible à trois fils

Une liaison à quatre fils est préférable mais lorsque les codes et arrêtés municipaux autorisent la mise à la terre par le neutre et/ou que la conversion à quatre fils n'est pas pratique, l'appareil peut être raccordé à l'alimentation par une liaison à trois fils.

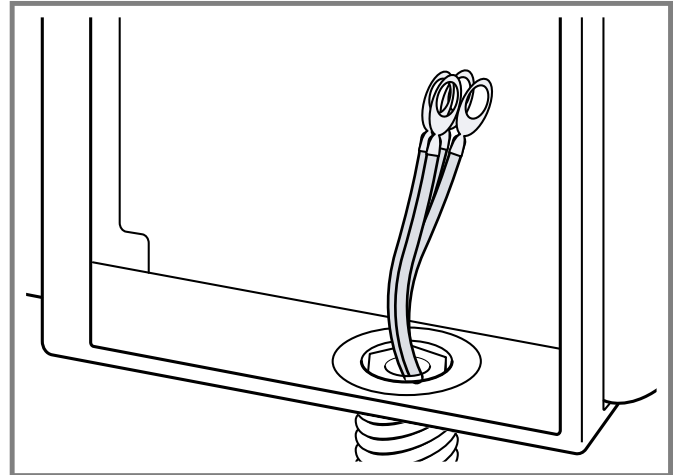
1. Débranchez l'alimentation électrique au niveau du boîtier des disjoncteurs. Retirez le couvercle du bornier pour mettre le bornier à découvert.
2. Insérez le câble d'alimentation électrique dans le bornier en le faisant passer par le trou inférieur.
3. Insérez la rondelle plate.

4. Fixez le fil rouge à la borne gauche du bloc de raccordement à l'aide d'un des écrous hexagonaux.



5. Fixez le fil blanc à la borne centrale du bloc de raccordement à l'aide d'un des écrous hexagonaux.
6. Raccordez le fil noir à la borne droite du bloc de raccordement à l'aide d'un des écrous hexagonaux.
7. **⚠ AVERTISSEMENT** Le cordon de sûreté fournie avec votre cordon de cuisinière doit être installé convenablement.

Sécurisez convenablement le cordon de sûreté.



8. Vissez bien tous les raccordements et remplacez le couvercle du bornier.
Ne branchez pas la cuisinière à ce moment.

3.12 Opération d'essai

Vérifiez si votre appareil fonctionne correctement après avoir terminé les étapes d'installation.

1. Mettez sous tension au disjoncteur.
2. Pour tester le four, sélectionnez le mode **bake**. Reportez-vous au manuel d'utilisation pour obtenir des instructions d'utilisation détaillées.
3. Vérifiez que l'éclairage du four s'allume et que le four se met à préchauffer.

4 Service à la clientèle

Lors de toute réparation réalisée dans le cadre de la garantie, nous nous assurons que votre appareil est réparé avec des pièces de rechange d'origine par un technicien dûment formé et agréé. Nous utilisons exclusivement des pièces de rechange d'origine lors des réparations.

Pour plus d'informations sur la durée et les conditions de la garantie dans votre pays, consultez nos modalités de garantie auprès de votre détaillant ou sur notre site Web. Si vous contactez le service à la clientèle, indiquez le numéro de modèle (E-Nr.) et le numéro de fabrication (FD) de l'appareil.

USA:

1-800-944-2904

www.bosch-home.com/us/owner-support/get-support

www.bosch-home.com/us/shop

CA:

1-800-944-2904

www.bosch-home.ca/en/service/get-support

www.bosch-home.ca/en/service/cleaners-and-accessories

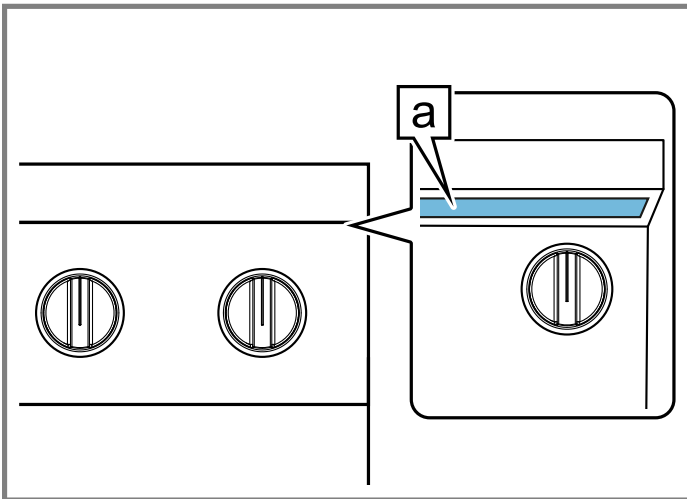
4.1 Numéro de modèle (E-Nr.) et numéro de fabrication (FD)

Le numéro de modèle (E-Nr.) et le numéro de fabrication (FD) sont indiqués sur la plaque signalétique de l'appareil. Pour retrouver rapidement les données de votre appareil et le numéro de téléphone du service à la clientèle, n'hésitez pas à les recopier ailleurs.

4.2 Emplacement de la plaque signalétique

Vous trouverez la plaque signalétique de votre appareil :

- sur la face arrière de l'appareil.
- sur le dessous du panneau de contrôle de projection.



a Plaque signalétique

5 Schémas de branchement

⚠ WARNING

When servicing the controls, label all wires prior to disconnection. Wiring errors can cause improper and dangerous operation: Verify proper operation after servicing.
 HIS*U models: Use copper or alluminum conductors.

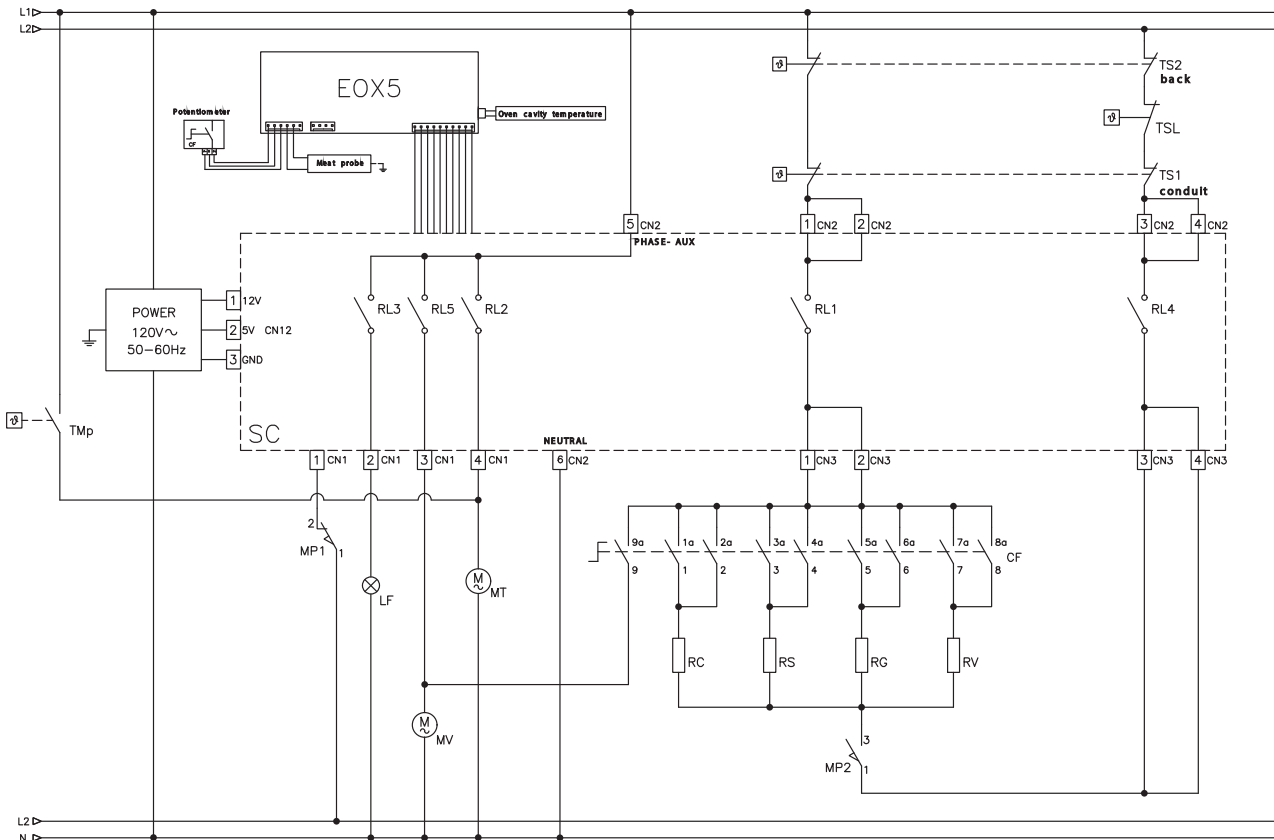
⚠ AVERTISSEMENT

Etiquetez les fils avant de déconnecter pour les controles de service. Une erreur dans le filage peut provoquer des opérations dangereuses et incorrectes. Verifiez la conformité de l'opération après un entretien. Modèles HIS*U: Utilisez des conducteurs en cuivre ou en aluminium.

⚠ ADVERTENCIA

Marcar todos los cables antes de desconectar, al realizar el mantenimiento de los mandos. Los errores de conexiòn pueden causar boperaciones inadecuadas y peligrosas. Comprobar el funcionamiento correcto después del mantenimiento. Modelos HIS * U: Use conductores de cobre o aluminio.

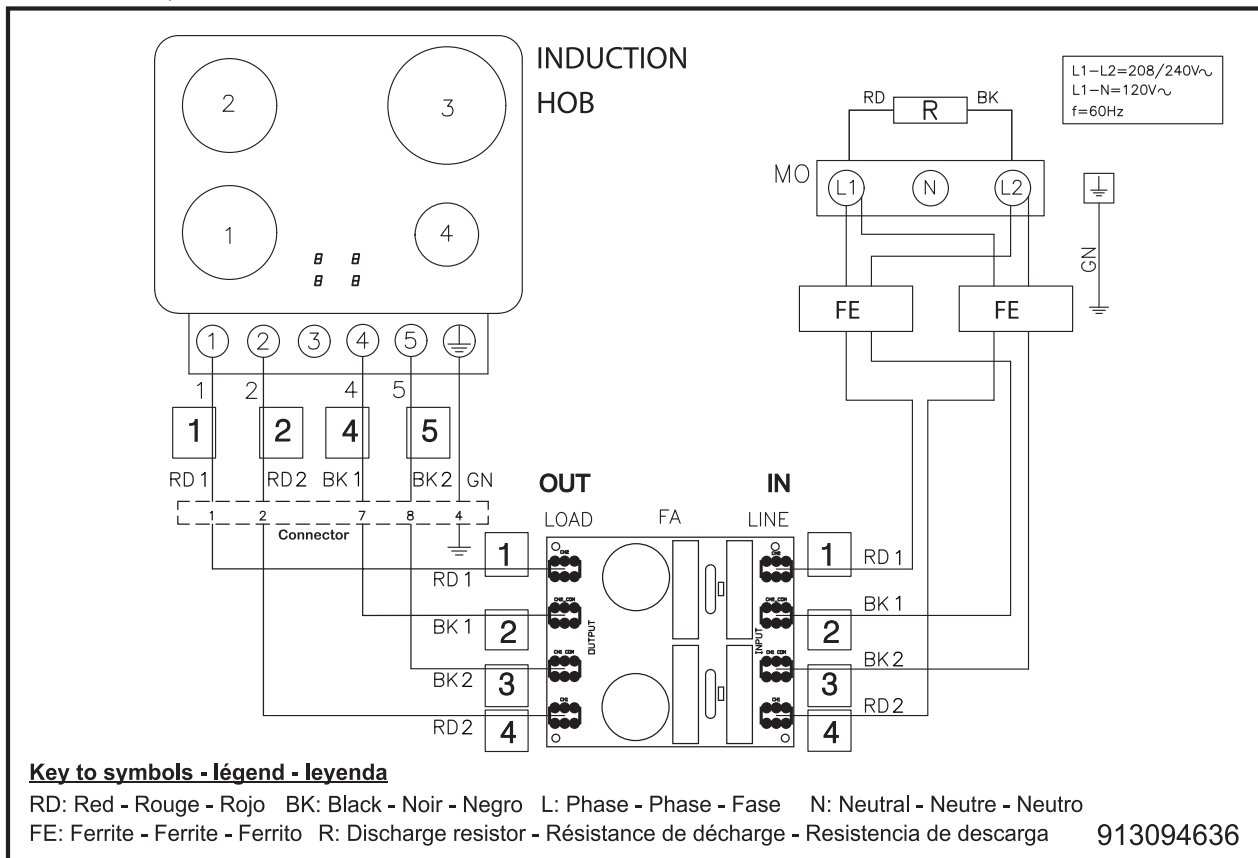
Key to symbols - leyenda	TS	Safety thermostat Thermostat de sécurité Termostato de seguridad		RG	Broil-grill element Résistance grill Resistencia grill		RS	Bottom heating element Résistance inférieure Resistencia inferior			
	MV	Cooking fan motor Ventilateur de cuisson Ventilador de coccion	RL	Relay Relais Relé		LF	Oven lamp Lampe four Lampara horno	MT	Cooling fan motor Ventilateur de refroidissement Ventilador de refrigeracion		
	RC	Upper heating element Résistance superieure Resistencia superior		CF	Selector switch contact Commutateur Commutador de funciones		SC	Printed circuit board Carte de circuits imprimés Tarjeta de circuitos impresos			
	TMp	Cooling fan for hob motor thermostat Ventilateur de refroidissement pour thermostat de moteur de table de cuisson Ventilador de refrigeracion para termostato del motor de la encimera						MP	Door microswitch Micro-interrupteur porte Microinterruptor de la puerta		
	RV	Circular heating element Résistance circulaire Resistencia circular	L	Phase Phase Fase		N	Neutral Neutre Neutro		TSL	Safety temperature limiter Limiteur de température de sécurité Limitador de temperatura de seguridad	



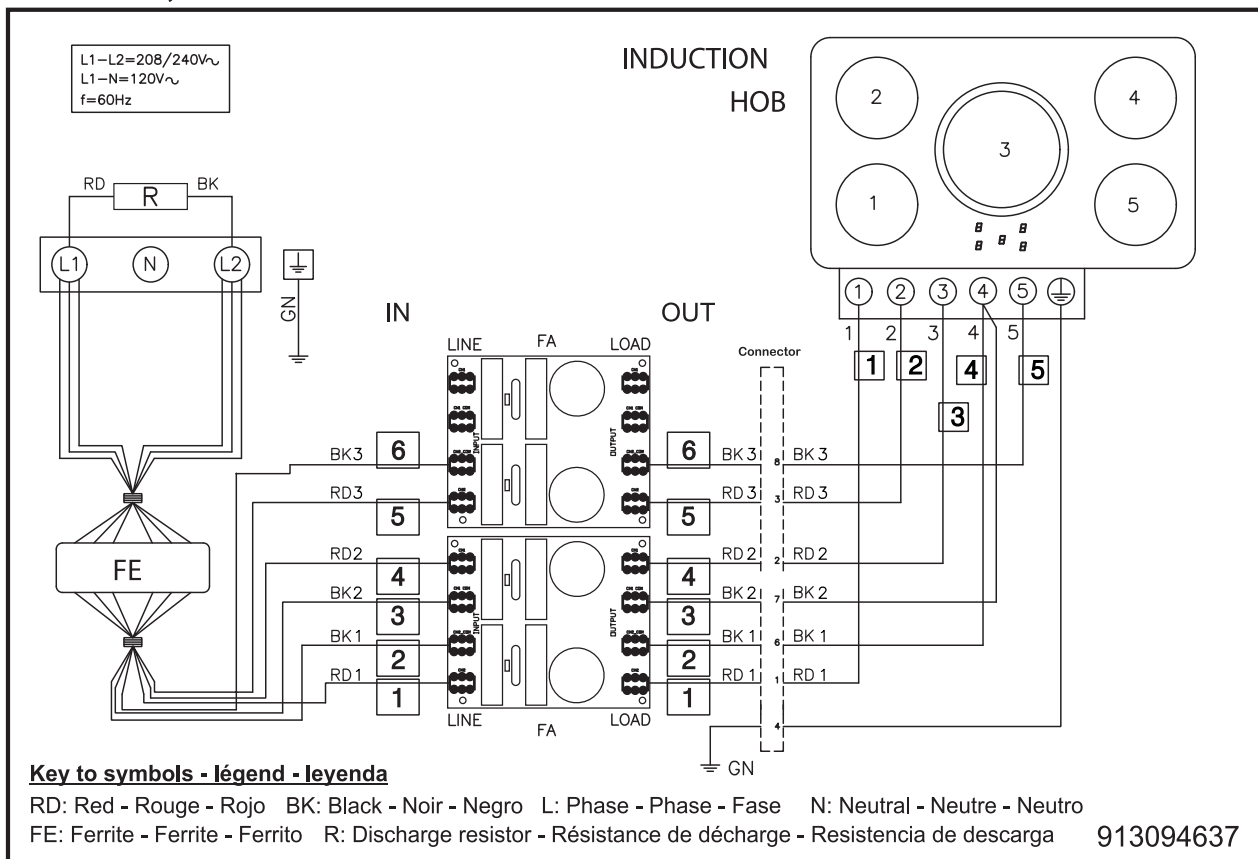
L1-L2=240 Vac 60Hz L1-N=120 Vac 60Hz

913094552

HIS8055U; HIS8055C



HIS8655U; HIS8655C





A series of horizontal lines for writing, starting from the top of the page and extending downwards. The lines are evenly spaced and cover most of the page's width.



Thank you for buying a Bosch Home Appliance!

Register your new device on MyBosch now and profit directly from:

- **Expert tips & tricks for your appliance**
- **Warranty extension options**
- **Discounts for accessories & spare-parts**
- **Digital manual and all appliance data at hand**
- **Easy access to Bosch Home Appliances Service**

Free and easy registration – also on mobile phones:
www.bosch-home.com/welcome

BOSCH
HOME APPLIANCES
SERVICE

Looking for help? You'll find it here.

Expert advice for your Bosch home appliances, help with problems or a repair from Bosch experts.

Find out everything about the many ways Bosch can support you:

www.bosch-home.com/service

Contact data of all countries are listed in the attached service directory.

BSH Home Appliances Corporation

1901 Main Street, Suite 600

Irvine, CA 92614

USA

www.bosch-home.com

1-800-944-2904

© 2021 BSH Home Appliances Corporation



9001805168 (021026)

en-us, fr-ca