

**Benchmark®, Induction Slide-in
Range, Stainless steel
HIIP055C**



Included accessories

1 x oven racks /upper
1 x telescopic rack
1 x temperature probe /upper

Optional accessories

HEZBS301 : Low Back Guard SIR Electric/ Induction
HEZTR301 : Telescopic Oven Rack 30"

**The 30" Benchmark Induction Slide-in
Range Combines FlexInduction® Technology
with the Innovative Oven featuring a
QuietClose™ Door.**

- Cook with a 6" or a 9" Element.
- At 4.6 cu. ft., a Large Oven Capacity Accommodates Most Pots and Pans.
- The New Bosch Slide-in Range Fits in Any Freestanding Range Cutout.
- The Warming Drawer Keeps Everything You Cook Warm and Ready to Serve.

Technical Data

Total number of cooktop burners : 4

Cooking mode : 3rd element convection, Convection Bake, Convection Broil, Conventional heat, Dough proving setting, Half width variable grill, Pizza setting, warming, Warming drawer

Integrated Cleaning system : Self Clean

Type of control : Electronic

Included accessories : 1 x oven racks /upper, 1 x telescopic rack, 1 x temperature probe /upper

Sealed Burners : No

Bake Element Wattages cavity 1 : 2400 W

Broil Element Wattages cavity 1 : 3800 W

Convection Element Wattages cavity 1 : 2000 W

Number of gas burners : 0

Location of 1st heating element : front left

Location of 2nd heating element : center left

Location of 3rd heating element : back left

Location of 4th heating element : middle back

Location of 5th heating element : back right

Location of 6th heating element : center right

Display Color : red, white

Benchmark® , Induction Slide-in Range, Stainless steel HIIP055C

**The 30" Benchmark Induction Slide-in Range
Combines FlexInduction® Technology with
the Innovative Oven featuring a QuietClose™
Door.**

Design

- Touch Control for Easier Operation of the Oven

Performance

- 11 Specialized Cooking Modes - Gourmet Cooking Made Easy
- PreciseSelect® - Direct Cooking Level Selection (17 Settings)
- Temperature Conversion for Convection Cooking
- Genuine European Convection for Even Baking Results on Multiple Racks.
- Meat Probe Takes the Guesswork Out of Cooking

Convenience

- Each Cooking Zone Has an Independent Countdown Timer
- SafeStart - Ensures that Element is Only Activated, if Suitable Cookware is in Position; no Activation When Other Metal Objects are Placed on Element
- A Full-Extension Telescopic Rack Offers Better Access to the Oven Cavity.
- Fast Preheat Reduces Heating Time.
- Two Oven Lights to Better Monitor Cooking Progress
- Extra Large Door Window for Easy Monitoring of Cooking Process
- Star-K certified. Temperature range: 100° - 450° F

Capacity

- Large Capacity at 4.6 Cu Ft. Accommodates Most Pots and Pans
- Recessed 8 Pass Broil Element for Increased Capacity and Safety

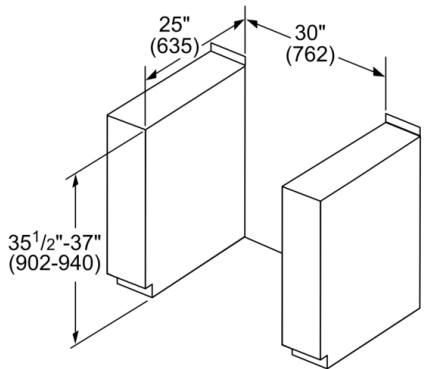
Accessories Included

- Use and Care Manual, Installation guide and Standard Rack

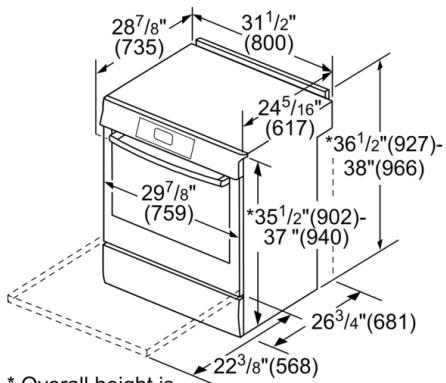
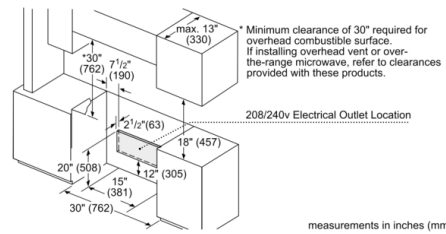
Optional Accessories

- HEZTR301 30" Telescopic Rack
- HEZBS301 - Low Back Guard, Induction

Benchmark®, Induction Slide-in Range,
Stainless steel
HIIP055C



measurements in mm



* Overall height is adjustable via levelling legs.

measurements in inches (mm)