



Register your  
appliance and join  
the Bosch  
family of perks:  
[bosch-home.com/us/  
mybosch](https://bosch-home.com/us/mybosch)



# Built-in Single, Double and Combination Ovens

HBL5754UC	HBL5344UC	HBL8454UC	HBLP454UC	HBL8444LUC
HBL8444RUC	HBL5351UC	HBL5451UC	HBL5551UC	HBL5651UC
HBL57M52UC	HBN8451UC	HBL8443UC	HBL8453UC	HBN8651UC
HBL8642UC	HBL8651UC	HBL87M53UC	HBL8753UC	HBL8743UC
HBLP451UC	HBLP451LUC	HBLP451RUC	HBLP651UC	HBLP651LUC
HBLP651RUC	HBLP752UC	HSLP751UC		

<b>[en-us]</b>	Installation Instructions	Built-in Single, Double and Combination Ovens	2
<b>[fr-ca]</b>	Instructions d'installation	Fours encastrés simples, doubles et combinés	25
<b>[es-mx]</b>	Instrucciones de instalación	Hornos individuales, dobles y de funcionamiento combinado integrados	51

## Table of contents

<b>1 IMPORTANT SAFETY INSTRUCTIONS.....</b>	<b>3</b>	<b>11 Installing the ovens into the cabinet .....</b>	<b>19</b>
1.1 Safety definitions.....	3	11.1 Reinstalling the oven door .....	19
1.2 General information.....	3	11.2 Adjusting the door alignment for side hinge doors .....	20
1.3 General safety instructions.....	3	<b>12 Electrical connection.....</b>	<b>22</b>
1.4 Appliance handling safety .....	3	12.1 Electrical requirements .....	22
1.5 Safety codes and standards.....	3	12.2 Location of the power outlet.....	22
1.6 Electrical safety.....	4	12.3 Routing the electrical conduit cable.....	22
1.7 State of California Proposition 65 Warnings .....	4	12.4 Installing a four-wire connection.....	23
1.8 Transport .....	4	12.5 Installing a three-wire connection.....	23
<b>2 Before you begin.....</b>	<b>5</b>	<b>13 Testing the operation .....</b>	<b>23</b>
2.1 About your combination oven.....	5	<b>14 Customer Service .....</b>	<b>24</b>
2.2 Combination installations .....	5	14.1 Model number (E-Nr.) and production number (FD) .....	24
2.3 Parts included .....	5	14.2 Rating plate location .....	24
2.4 Tools and parts needed .....	5		
2.5 Power requirements and grounding .....	5		
<b>3 Package removal.....</b>	<b>5</b>		
3.1 Removing the packaging from built-in single and double ovens.....	5		
3.2 Removing the packaging from built-in combination ovens .....	6		
<b>4 Installation requirements .....</b>	<b>6</b>		
4.1 Appliance weight.....	6		
4.2 Location requirements.....	6		
<b>5 30" Single oven dimensions .....</b>	<b>6</b>		
5.1 30" Single oven appliance dimensions .....	6		
5.2 30" Single oven traditional installation .....	7		
5.3 30" Single oven flush mount installation .....	7		
5.4 30" Single oven under-counter installation .....	8		
<b>6 30" Double oven dimensions .....</b>	<b>8</b>		
6.1 30" Double oven appliance dimensions.....	8		
6.2 30" Double oven traditional installation.....	9		
6.3 30" Double oven flush mount installation.....	9		
<b>7 30" Combination oven dimensions .....</b>	<b>11</b>		
7.1 30" Combination oven appliance dimensions .....	11		
7.2 30" Combination oven traditional installation .....	11		
7.3 30" Combination oven flush mount installation .....	12		
<b>8 27" Single oven dimensions .....</b>	<b>12</b>		
8.1 27" Single oven appliance dimensions .....	12		
8.2 27" Single oven traditional installation .....	12		
8.3 27" Single oven flush mount installation .....	13		
8.4 27" Single oven under-counter installation .....	13		
<b>9 27" Double oven dimensions .....</b>	<b>13</b>		
9.1 27" Double oven appliance dimensions.....	13		
9.2 27" Double oven traditional installation.....	14		
9.3 27" Double oven flush mount installation.....	14		
<b>10 Prior to installation .....</b>	<b>14</b>		
10.1 Lifting the appliance .....	14		
10.2 Connecting the speed oven or steam convection oven conduit to the lower oven.....	15		
10.3 Connecting the microwave to the lower oven .....	16		
10.4 Assembly of the two combination oven units.....	17		
10.5 Removing the oven door from bottom hinge con- ventional ovens .....	18		



# IMPORTANT SAFETY INSTRUCTIONS

## READ AND SAVE THESE INSTRUCTIONS

Read all instructions carefully before use. These precautions will reduce the risk of electrical shock, fire and injury to persons. When using kitchen appliances, basic safety precautions must be followed including those in the following pages.

### 1.1 Safety definitions

Here you can find explanations of the safety signal words used in this manual.

#### **WARNING**

This indicates that death or serious injuries may occur as a result of non-observance of this warning.

#### **CAUTION**

This indicates that minor or moderate injuries may occur as a result of non-observance of this warning.

#### **NOTICE:**

This indicates that damage to the appliance or property may occur as a result of non-compliance with this advisory.

**Note:** This alerts you to important information and/or tips.

### 1.2 General information

Here you can find general information about this manual.

- Please read this manual carefully.
- Observe the safety instructions and warnings.
- Keep the manual and the product information in a safe place for future reference or for the next owner.
- Check the appliance for damage after unpacking it. Do not connect the appliance if it has been damaged in transit.

### 1.3 General safety instructions

**IMPORTANT:** SAVE THESE INSTRUCTIONS FOR THE LOCAL ELECTRICAL INSPECTOR'S USE.

**INSTALLER:** LEAVE THESE INSTALLATION INSTRUCTIONS WITH THE UNIT FOR THE OWNER.

**OWNER:** PLEASE RETAIN THESE INSTRUCTIONS FOR FUTURE REFERENCE.

#### **WARNING**

If the information in this manual is not followed exactly, fire or shock may result causing property damage or personal injury.

Do not repair, replace or remove any part of the appliance unless specifically recommended in the manuals. Improper installation, service or maintenance can cause injury or property damage.

- ▶ Refer to this manual for guidance.
- ▶ All other servicing should be done by an authorized service provider.

When installing a cooktop over a single oven, be sure to follow the instructions in both the oven's and the cooktop's installation manuals.

- ▶ You can find a list of approved combinations of cooktop and oven in the Approved Combination Matrix of your cooktop, or you can contact Customer Service for the latest list of approved combinations. Do not try to install your cooktop over any oven that is not stated in that list. Never modify or alter the construction of the appliance.
- ▶ For example, do not remove leveling legs, panels, wire covers or anti-tip brackets/screws.

#### **WARNING**

Remove all tape and packaging before using the appliance.

- ▶ Dispose of packaging in an environmentally responsible manner.
- ▶ Never allow children to play with packaging material.

### 1.4 Appliance handling safety

#### **WARNING**



Unit is heavy and requires at least two people or proper equipment to move.

- ▶ For double ovens, three or more people are needed to assist with lifting the unit into place.
- ▶ Do not lift appliance by door handle.
- ▶ Remove the door for easier handling and installation. See instructions in this manual.

#### **WARNING**



Hidden surfaces may have sharp edges.

- ▶ Use caution when reaching behind or under appliance.

### 1.5 Safety codes and standards

This appliance complies with the latest version of one or more of the following standards:

- CAN/CSA C22.2 No. 150 - Microwave Ovens



# IMPORTANT SAFETY INSTRUCTIONS

## READ AND SAVE THESE INSTRUCTIONS

- CAN/CSA C22.2 No. 61 - Household Cooking Ranges
- CSA C22.2 No. 64 - Household Cooking and Liquid-Heating Appliances
- UL 1026 - Electric Household Cooking and Food Serving Appliances
- UL 923 - Microwave Cooking Appliances
- UL 858 - Household Electric Ranges

It is the responsibility of the owner and the installer to determine if additional requirements and/or standards apply to specific installations.

### 1.6 Electrical safety

- **Installer** - show the owner the location of the circuit breaker or fuse. Mark it for easy reference.
- If required by the National Electrical Code (or Canadian Electrical Code), this appliance must be installed on a separate branch circuit.
- Local codes vary. The installer is responsible for ensuring that the installation, connections, and grounding comply with all applicable codes. The manufacturer is not responsible for any issues associated with the improper installation of this product.
- Refer to the rating plate for more information.  
→ "Rating plate location", Page 24

#### WARNING

Before installing, turn power OFF at the service panel.

- ▶ Lock service panel to prevent power from being turned ON accidentally.



#### ELECTRIC SHOCK HAZARD

- ▶ Disconnect power before installing or servicing. Before turning power ON, be sure that all controls are in the OFF position.
- ▶ DO NOT remove connections.
- ▶ DO NOT use an extension cord.
- ▶ Improper grounding can result in a risk of electric shock.
- ▶ Failure to follow these instructions can result in death, fire, or electrical shock.

#### GROUNDING INSTRUCTIONS

- ▶ This appliance must be grounded.
- ▶ Grounding reduces the risk of electric shock by providing a safe pathway for electric current in the event of a short circuit.

- ▶ Be sure your appliance is properly installed and grounded by a qualified technician.
- ▶ Installation, electrical connections and grounding must comply with all applicable codes.

Before you plug in an electrical cord, be sure all controls are in the OFF position.

Before you turn on power supply, make sure all controls are in the OFF position.

### 1.7 State of California Proposition 65 Warnings

This product may contain a chemical known to the State of California, which can cause cancer or reproductive harm. Therefore, the packaging of your product may bear the following label as required by California:

#### STATE OF CALIFORNIA PROPOSITION 65 WARNING:



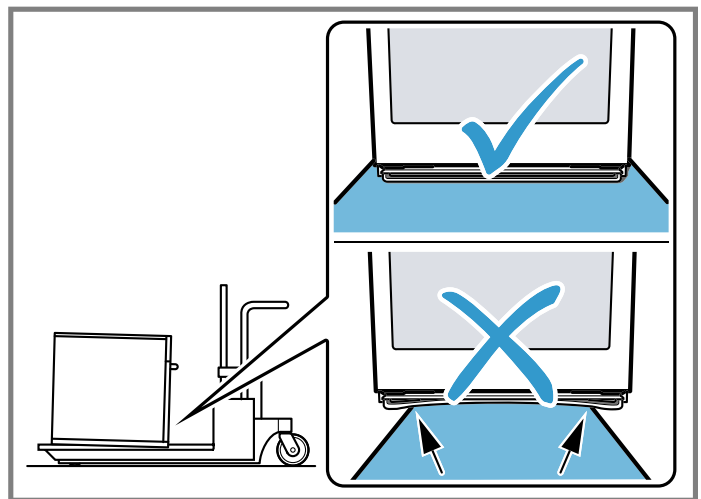
Cancer and Reproductive Harm - [www.P65Warnings.ca.gov](http://www.P65Warnings.ca.gov)

### 1.8 Transport

Follow these precautions when transporting your appliance.

#### NOTICE:

To avoid damaging the appliance, use the transport method shown in the following picture.



## 2 Before you begin

Read these instructions before you begin to install your appliance.

### 2.1 About your combination oven

Here you can find general information about the installation of your combination oven.


- Some Bosch ovens are sold as combinations. Each combination includes two built-in ovens: a conventional wall oven, which must be installed as the lower oven, and an upper oven that is either a speed oven, a steam convection oven or a microwave.
- For ease of installation and improved alignment, the oven components are assembled together in the customer's home rather than at the factory.
- Each of the components are packed in separate boxes, which are strapped together prior to shipping.
- The combination ovens are approved for use in a single cutout, using single power connection.
- The conventional oven is designed with an oven-mounted junction box on top, which is used for connecting the upper oven power cable.
- The hardware required for mounting the speed oven, the steam convection oven or the microwave on top of the conventional oven is delivered inside the conventional oven box.
- Each of the combination oven components has its own rating plate with model number (E-Nr.), production number (FD) and consecutive numbering (Z-Nr.), etc.

### 2.2 Combination installations

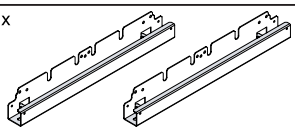
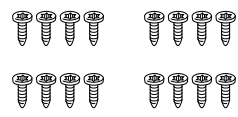
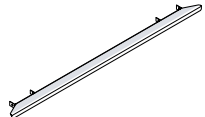
For combination installations with other Bosch products (i.e. cooktop over oven, etc.), refer to the Approved Combination Guide located in the manual kit or on our website for additional clearance requirements for your specific installation.

### 2.3 Parts included

After unpacking all the parts, check for any damage in transit and for completeness of delivery.

8 x ⊕		8 x Oven mounting screws (located in the red poly bag in the broil pan package) Refer to enclosed leaflet SCREW INSTALLATION
-------	---	---

### Additional parts included for combination ovens

2 x		2 x Universal connector brackets (in parts box on top of oven)
16 x ⊕		10 x Stud screws 6 x Shoulder screws (located in red bag inside the parts box)
1 x		1 x Decorative trim piece (located in the plastic bag affixed to the oven top)

## 2.4 Tools and parts needed

Prepare these tools and accessories before you start to install your appliance.

- Pencil
- Measuring tape
- Level
- T-20 star bit screwdriver
- Cross head screwdriver
- Drill with bit 1/8"
- Knife
- Safety gloves

## 2.5 Power requirements and grounding

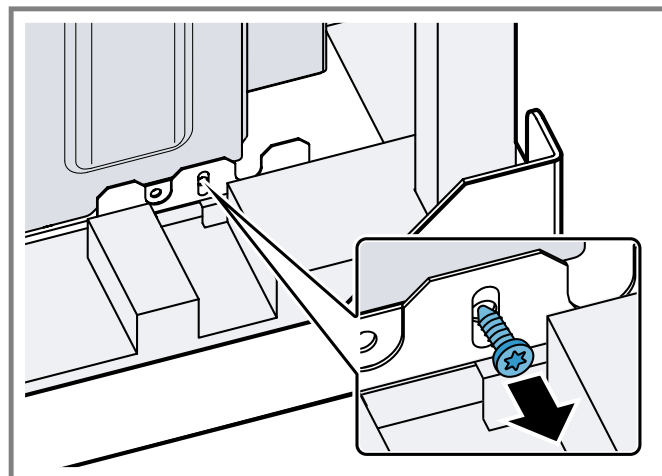
The outlet must be properly grounded in accordance with all applicable codes.

## 3 Package removal

Protect any finished flooring before you move the oven.

### 3.1 Removing the packaging from built-in single and double ovens

1. Cut the box straps.
2. Open the top of the carton and remove the top wood frame.
3. Remove the carton by lifting it up and off the unit.  
Alternatively you can carefully cut along the cut line on the back left side of the carton with a blade shorter than 3/4" (20 mm).
4. Place the unit in front of the cabinet where it is to be installed. The unit should be in line with the cabinet cutout.  
Leave the unit on the packaging base until it is ready to be lifted into the cabinet cutout.
5. Remove all internal protective packaging, racks, accessories, and instruction manuals from the oven cavity.
6. Remove the packaging brackets.
  - With a T-20 star bit screwdriver, remove the screws that go through the slotted holes in the mounting brackets on the left and right side.
  - Do not remove any additional screws from the oven.



- ✓ The oven is released from the packaging base.
- ✓ The brackets remain in the packaging base.

7. Leave the appliance on the packaging base until you lift it into the cabinet cutout or onto the lower oven.

### 3.2 Removing the packaging from built-in combination ovens

1. Cut the box straps.
2. Remove the angle boards/ strap protectors from the top of the carton.
3. Remove the outer carton by lifting it up and off of the unit.

You can also cut carefully along the cut line on the back left side of the carton with a blade shorter than 3/4" (20mm).

4. Remove the upper boxed unit of the combination oven. Place it on the floor so that both shipping cartons can be opened.
5. Remove the packaging of the individual units per the instructions printed on the individual cartons or referring to → "Removing the packaging from built-in single and double ovens", Page 5

## 4 Installation requirements

Read these instructions to prepare the installation space for your appliance.

### 4.1 Appliance weight

The cabinet base must support the weight of your oven as stated in this table.

Oven type	Weight
27" Single ovens	145 lbs (66 kg)
27" Double ovens	258 lbs (117 kg)
30" Single ovens	161 lbs (73 kg)
30" Double ovens	292 lbs (133 kg)
30" Combination ovens	274 lbs (125 kg)

### 4.2 Location requirements

Ensure your installation location fulfills the following requirements before you begin with the installation procedure.

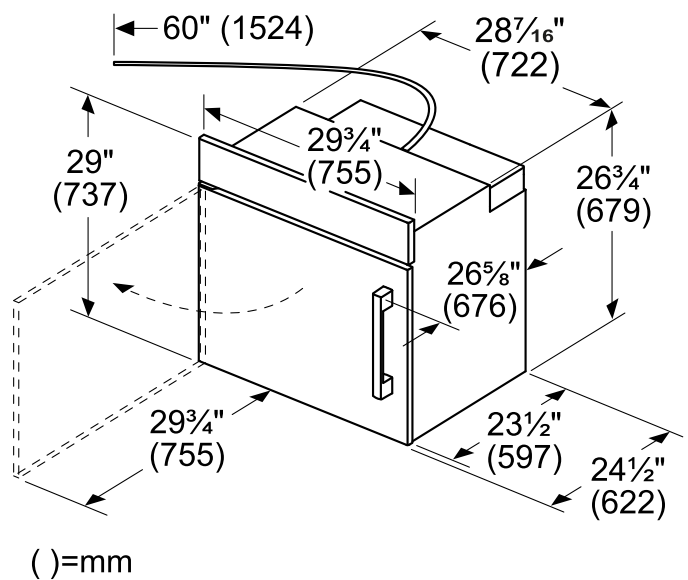
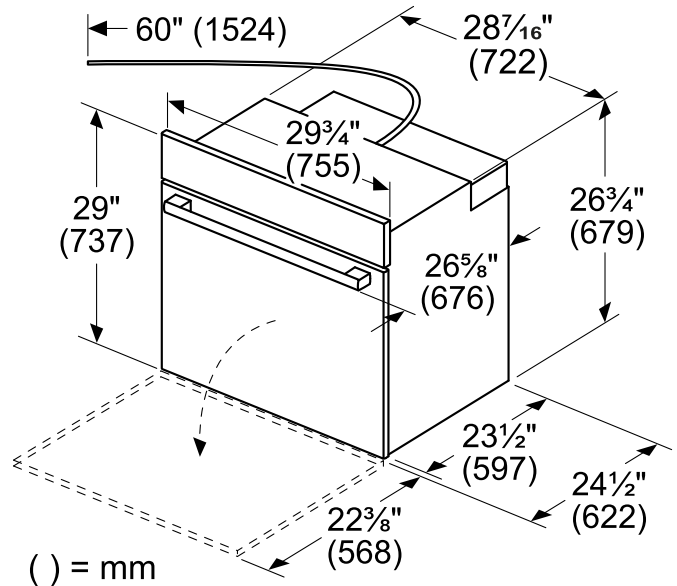
- When an oven is installed at the end of a cabinet run, adjacent to a perpendicular wall or a cabinet door, allow at least 1/4" (6.4 mm) space between the side of the oven and the wall or door.
- For oven support, install 2x4s extending front to back flush with the bottom and the sides of the opening.
- The supporting base must be well secured to the floor or cabinet and must be level.
- The cabinet opening must be plumb and the base must be flat and level.
- When installing a side hinge oven, leave at least 10" (254 mm) clearance to allow the door to open.
- Junction boxes can be located anywhere within reach of the oven's power cable.

- The cabinet base must be flat and capable of supporting the weight of your unit. Refer to the appliance weight table for the requirements of your oven.
- Under-oven dimensions are provided as a general guideline and may be adjusted as needed based on a particular application. Consult a design professional for optimizing personal preferences.

## 5 30" Single oven dimensions

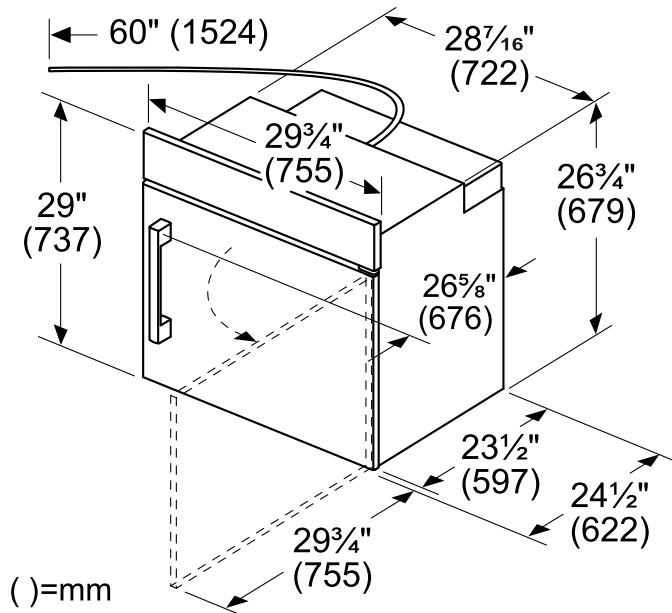
Read here for appliance and cabinet dimensions for 30" single ovens.

### 5.1 30" Single oven appliance dimensions



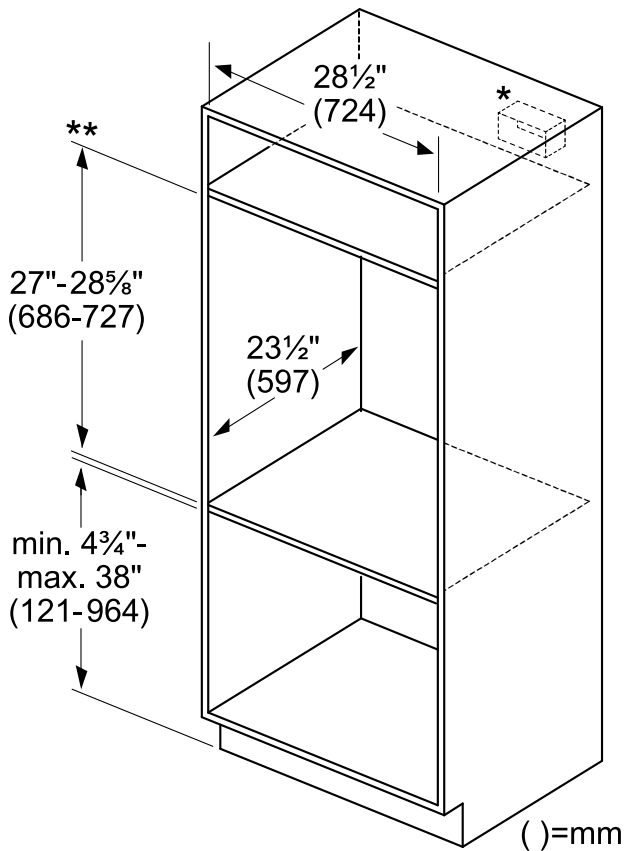
Allow 3/4" (19 mm) gap to nearest cabinet front for door swing.





Allow 3/4" (19 mm) gap to nearest cabinet front for door swing.

### 5.2 30" Single oven traditional installation



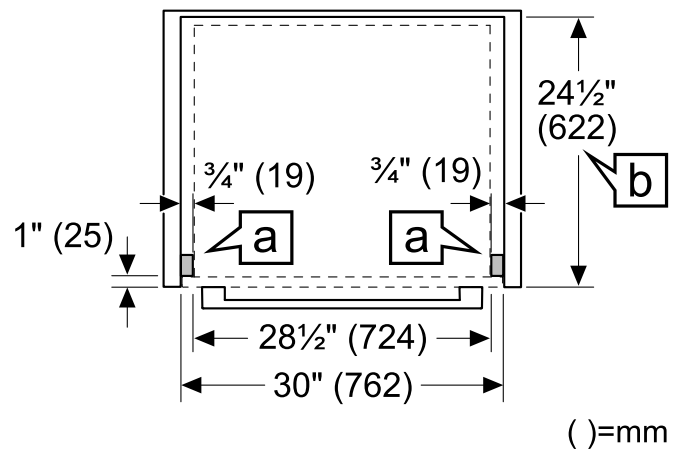
\*The junction box may be located above, beneath, left or right of the unit within reach of the flexible conduit.

\*\*Control panel overlap: min. 3/8" (10mm) to max. 2" (51mm).

### 5.3 30" Single oven flush mount installation

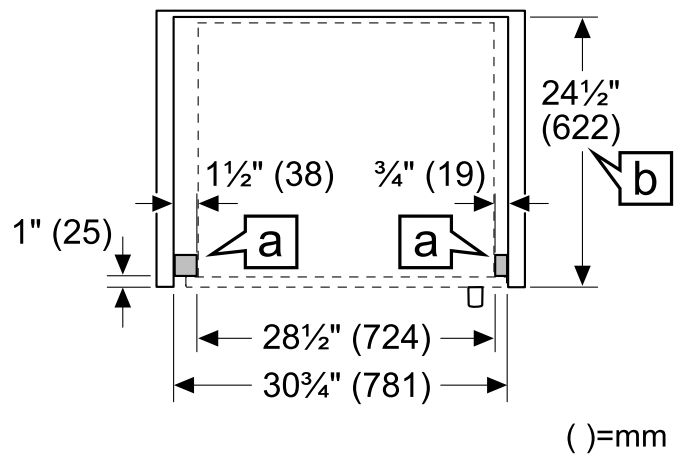
Flush installation requires two side cleats to be attached inside the cabinet frame, recessed from the front.

#### Top view bottom hinged door



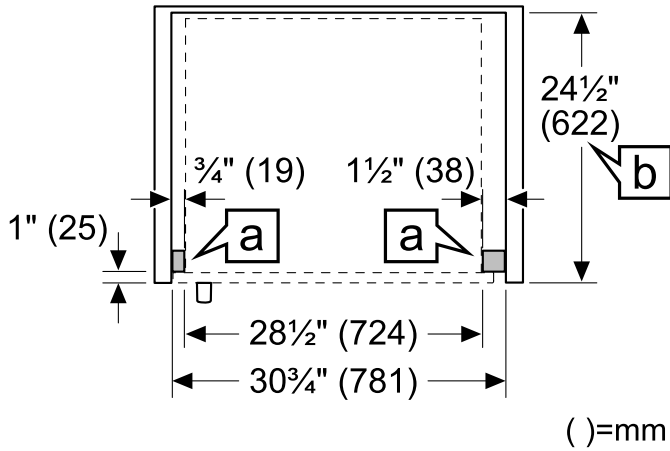
- a Reveal cleats
- b Flush inset depth

#### Top view left swing door



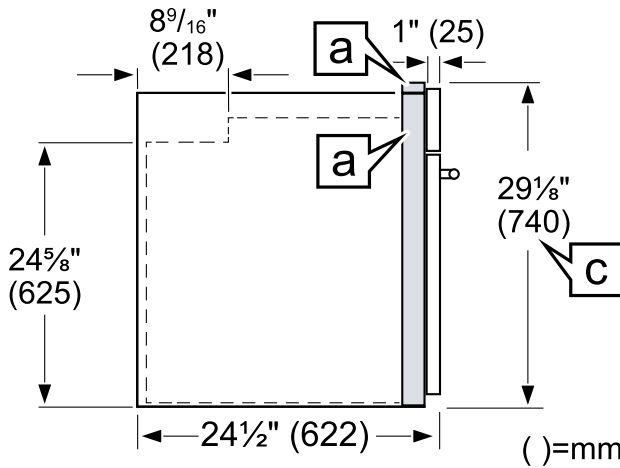
- a Reveal cleats
- b Flush inset depth

Top view right swing door



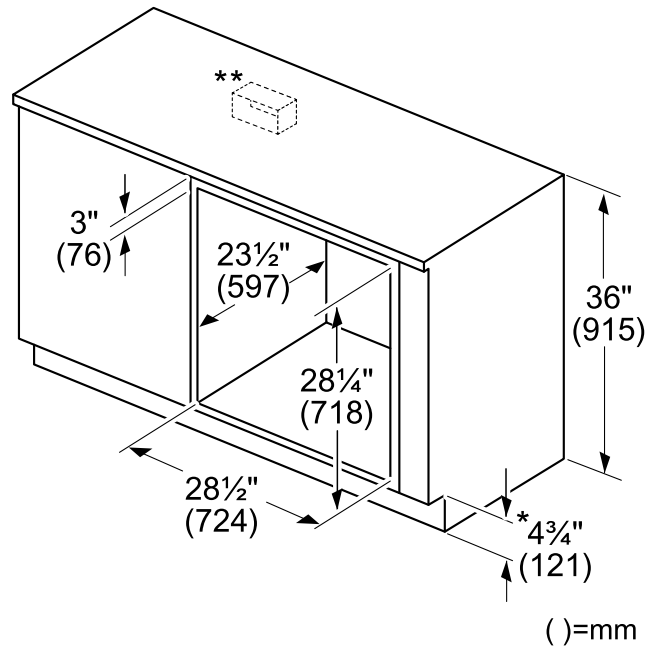
- a Reveal cleats
- b Flush inset depth

Side view (representative)



- a Reveal cleats
- c Flush cutout height

5.4 30" Single oven under-counter installation



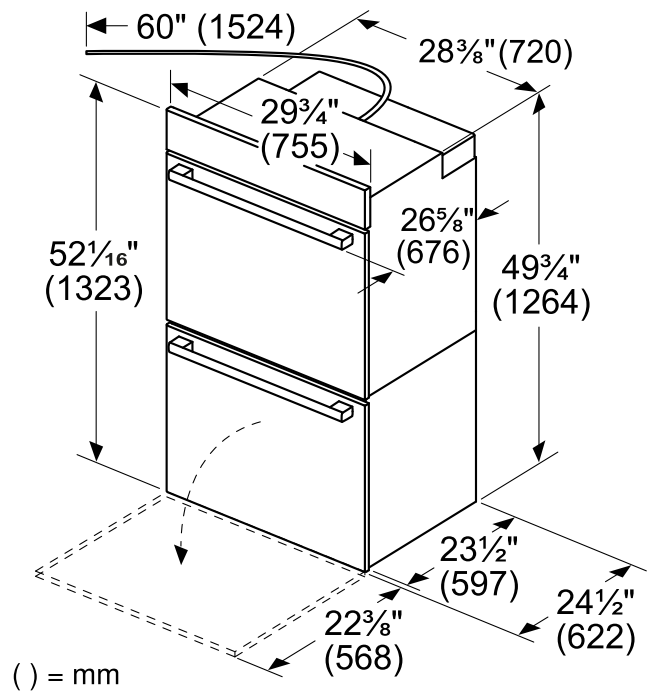
\*Includes 3/4" (19 mm) base plate.

\*\*The junction box may be located to the left or right of the unit within reach of the flexible conduit.

6 30" Double oven dimensions

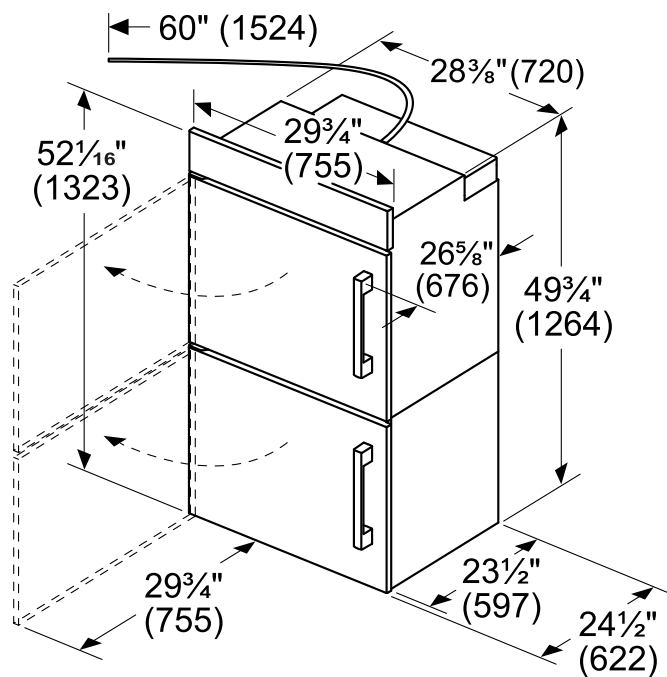
Read here for appliance and cabinet dimensions for 30" double ovens.

6.1 30" Double oven appliance dimensions



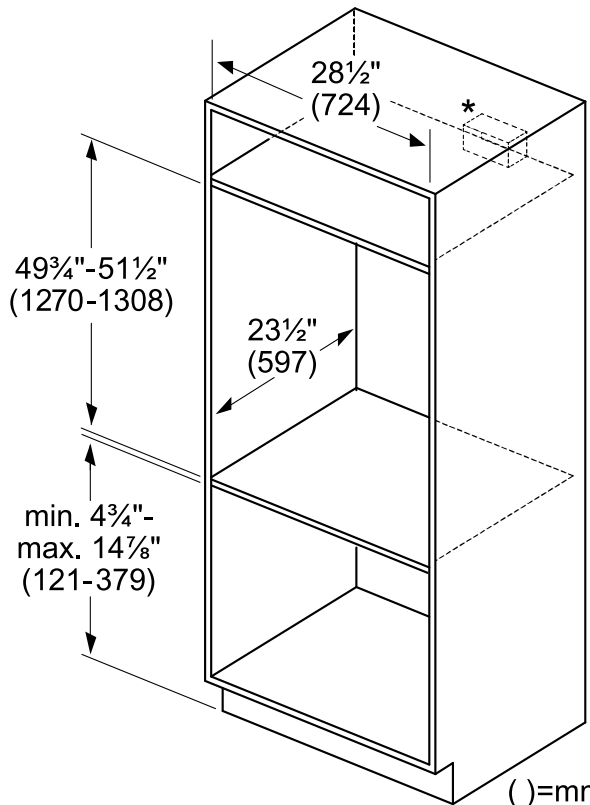


### 6.2 30" Double oven traditional installation



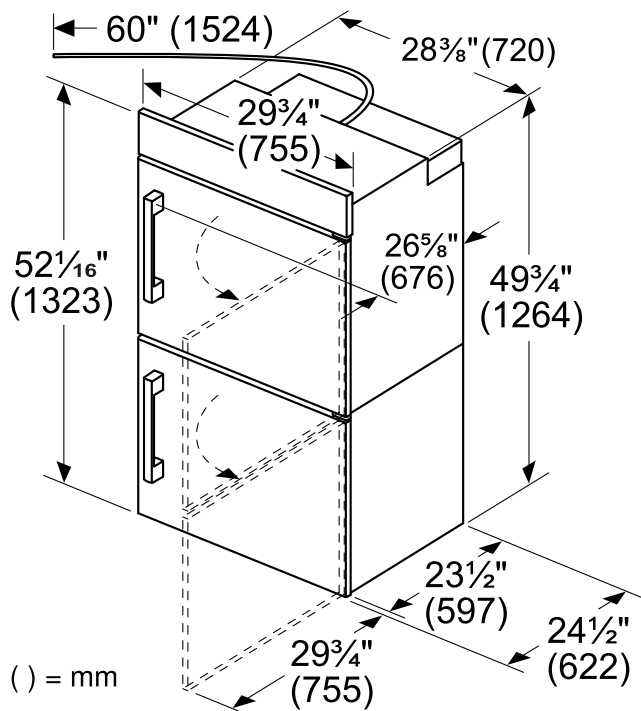
( ) = mm

Allow 3/4" (19 mm) gap to nearest cabinet front for door swing.



( )=mm

\* Junction box location: above, left or right of the unit within reach of the flexible conduit.  
Control panel overlap: min. 3/8" (10mm) to max. 2" (51mm).



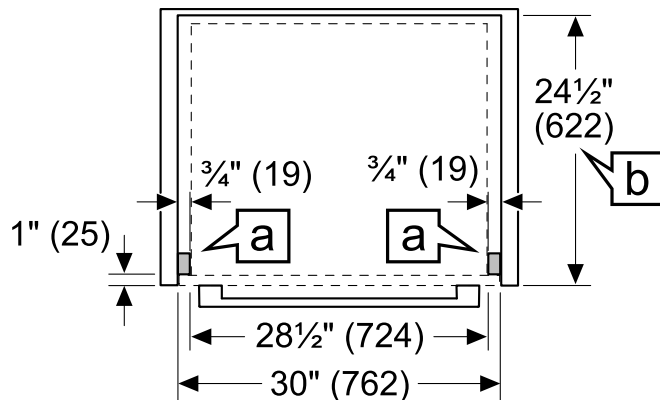
( ) = mm

Allow 3/4" (19 mm) gap to nearest cabinet front for door swing.

### 6.3 30" Double oven flush mount installation

Flush installation requires two side cleats to be attached inside the cabinet frame, recessed from the front.

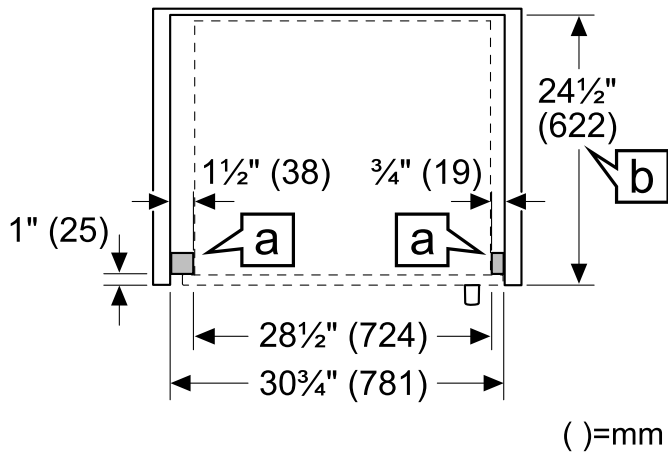
Top view bottom hinged door



( )=mm

a	Reveal cleats
b	Flush inset depth

Top view left swing door



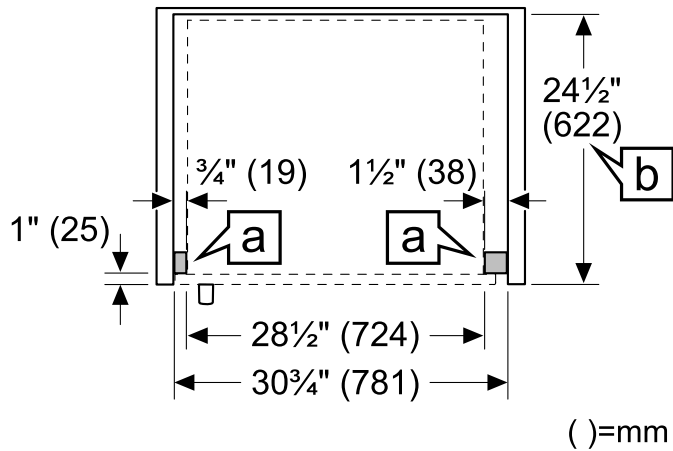
- a Reveal cleats

---

- b Flush inset depth

---

Top view right swing door



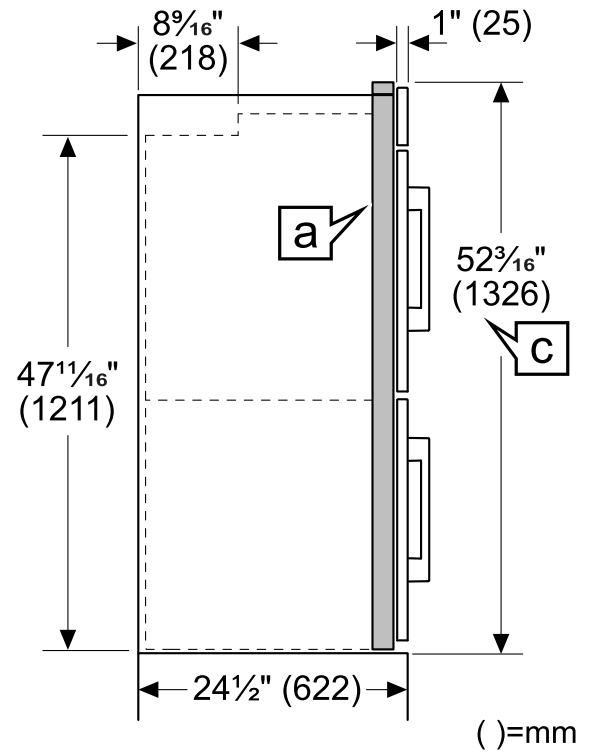
- a Reveal cleats

---

- b Flush inset depth

---

Side view (representative)



- a Reveal cleats

---

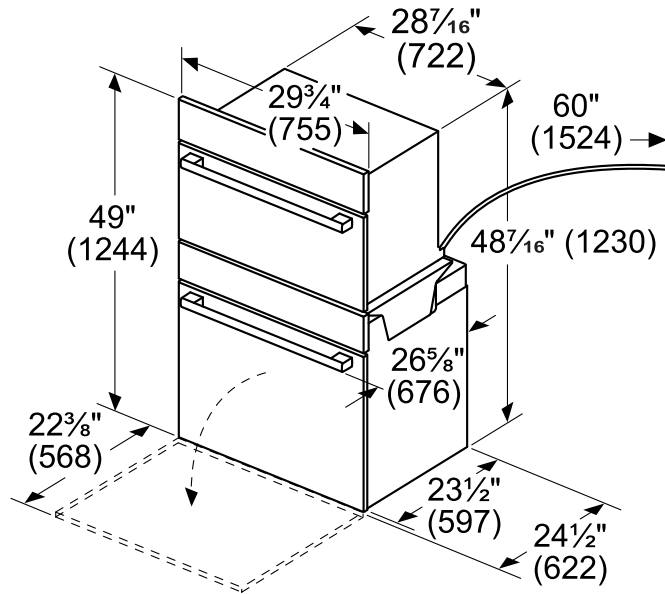
- c Flush cutout height

---

## 7 30" Combination oven dimensions

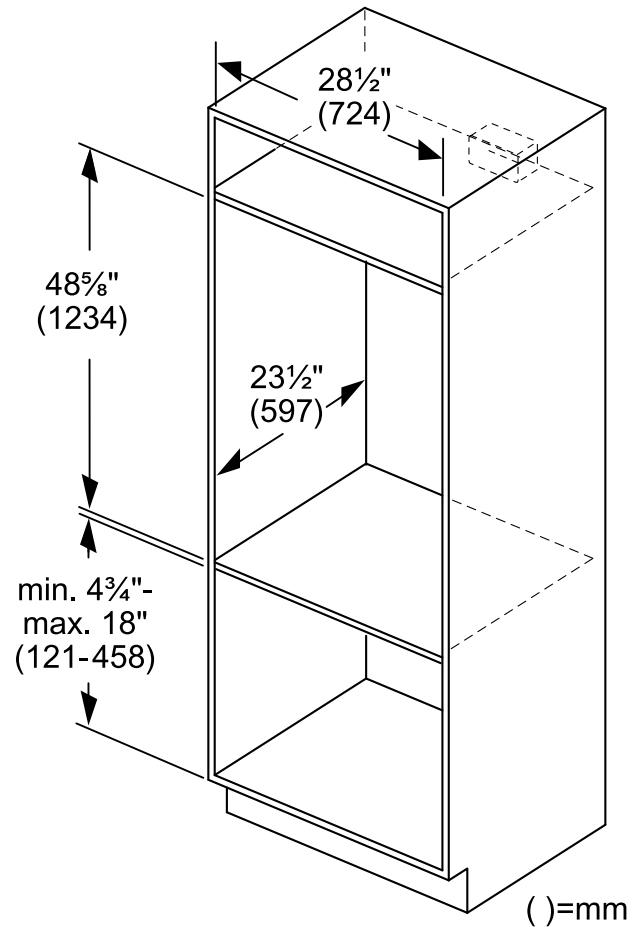
Read here for appliance and cabinet dimensions for 30" combination ovens.

### 7.1 30" Combination oven appliance dimensions



( ) = mm

### 7.2 30" Combination oven traditional installation



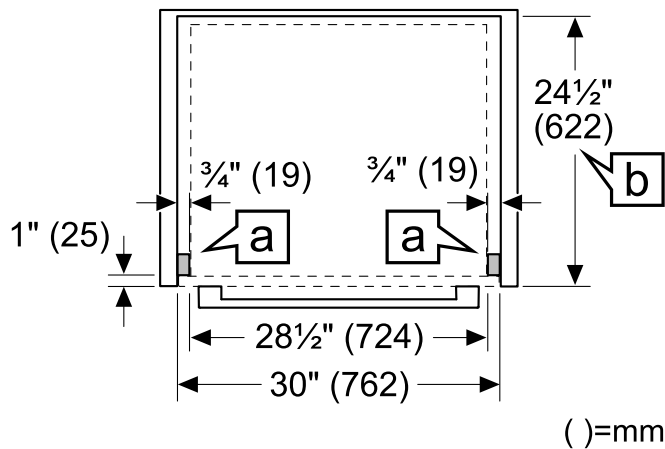
( )=mm

\*Junction box location: above, left or right of the unit within reach of the flexible conduit.  
Control panel overlap: min.  $\frac{3}{8}$ " (10mm) to max. 2" (51mm).

### 7.3 30" Combination oven flush mount installation

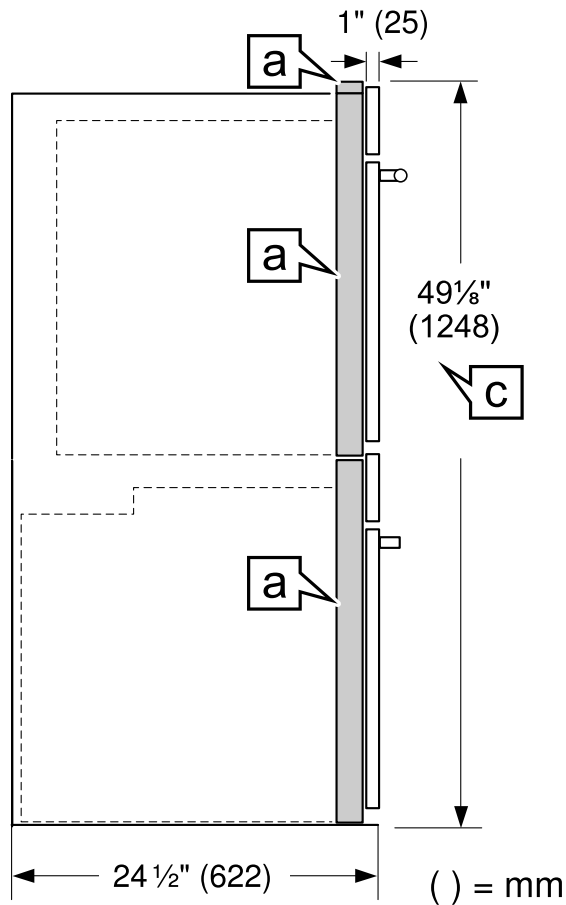
Flush installation requires two side cleats to be attached inside the cabinet frame, recessed from the front.

#### Top view



- a Reveal cleats
- b Flush inset depth

#### Side view

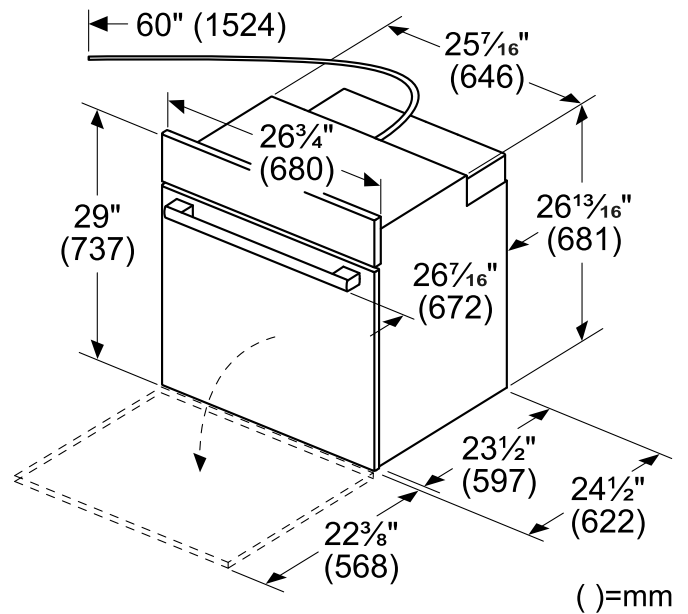


- a Reveal cleats
- c Flush cutout height

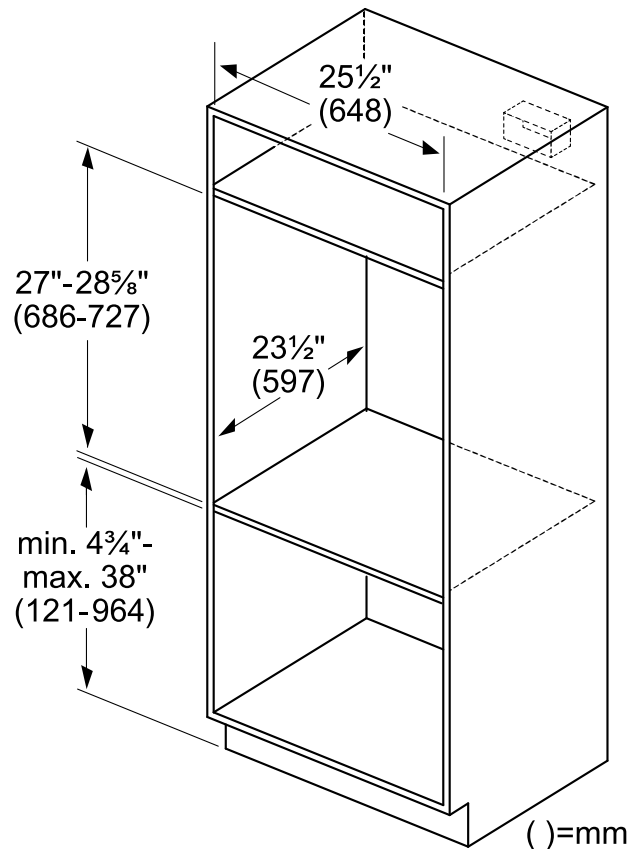
## 8 27" Single oven dimensions

Read here for appliance and cabinet dimensions for 27" single ovens.

### 8.1 27" Single oven appliance dimensions



### 8.2 27" Single oven traditional installation

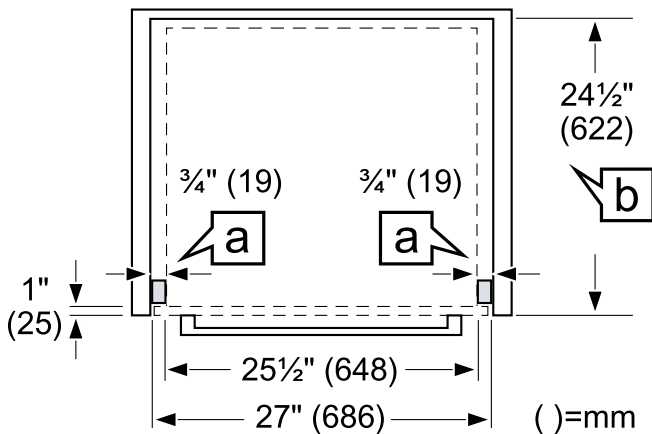


\*Junction box location: above, left or right of the unit within reach of the flexible conduit.  
 Control panel overlap: min. 3/8" (10mm) to max. 2" (51mm).

### 8.3 27" Single oven flush mount installation

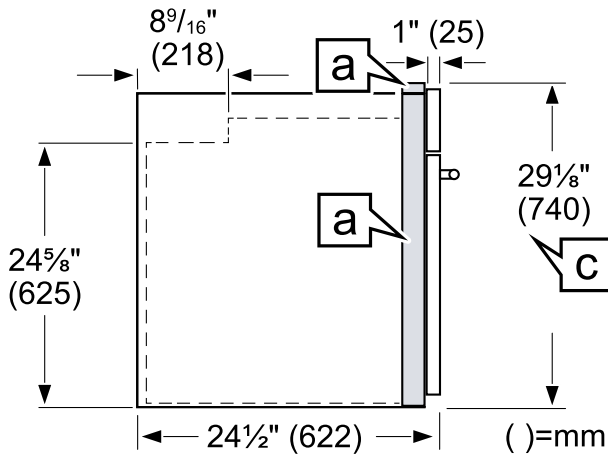
Flush installation requires two side cleats to be attached inside the cabinet frame, recessed from the front.

#### Top view



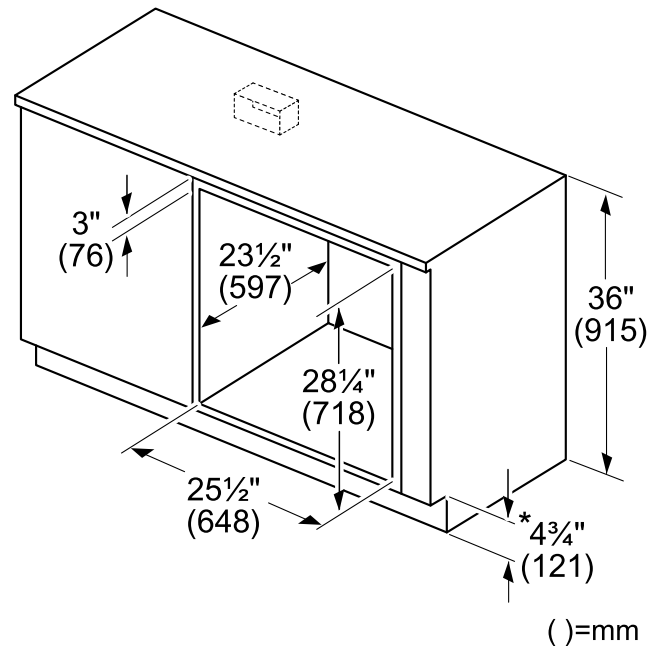
- a Reveal cleats
- b Flush inset depth

#### Side view



- a Reveal cleats
- c Flush cutout height

### 8.4 27" Single oven under-counter installation

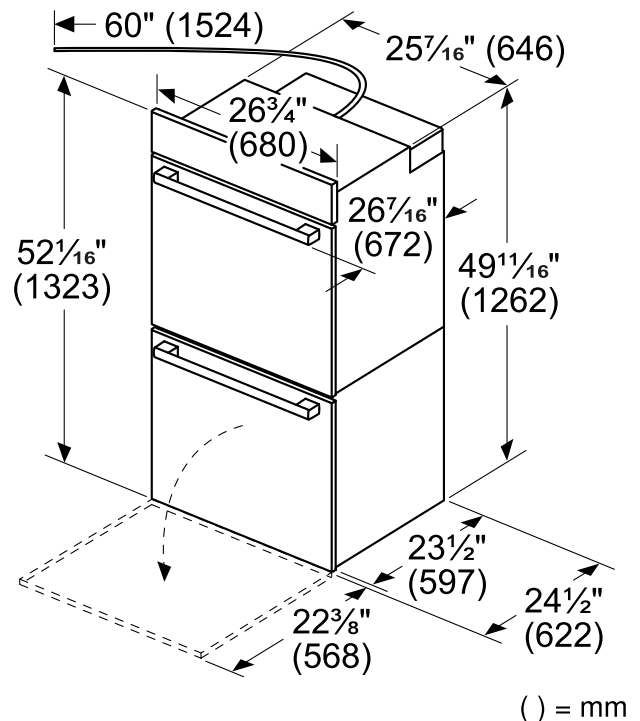


\* Includes 3/4" (19 mm) base plate.  
 \*\*Junction box location: right or left of the unit within range of the flexible conduit.

## 9 27" Double oven dimensions

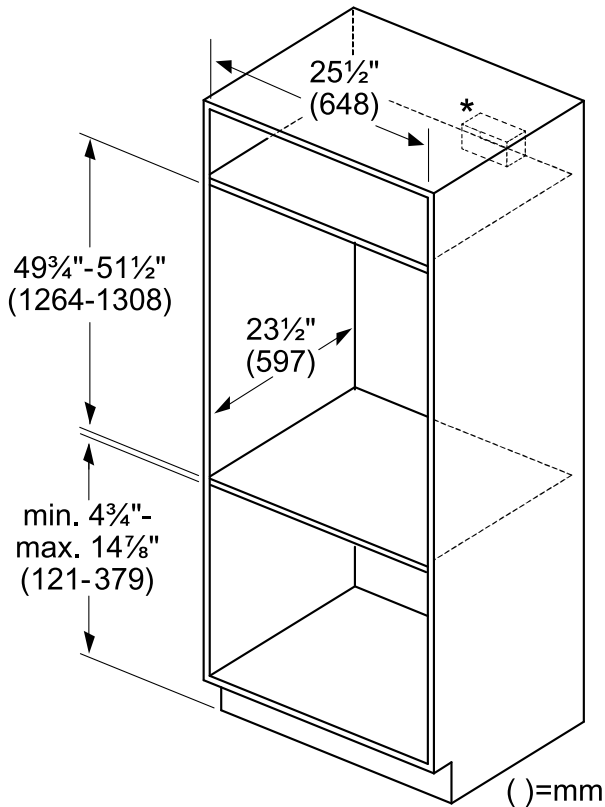
Read here for appliance and cabinet dimensions for 27" double ovens.

### 9.1 27" Double oven appliance dimensions



( ) = mm

## 9.2 27" Double oven traditional installation

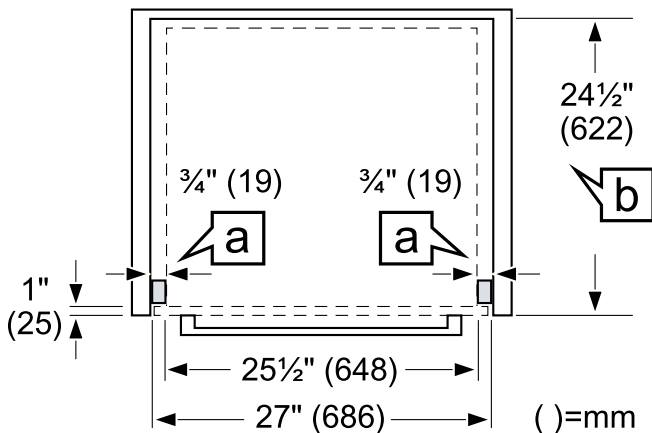


\*Junction box location: above, left or right of the unit within reach of the flexible conduit.  
Control panel overlap: min. 3/8" (10mm) to max. 2" (51mm).

## 9.3 27" Double oven flush mount installation

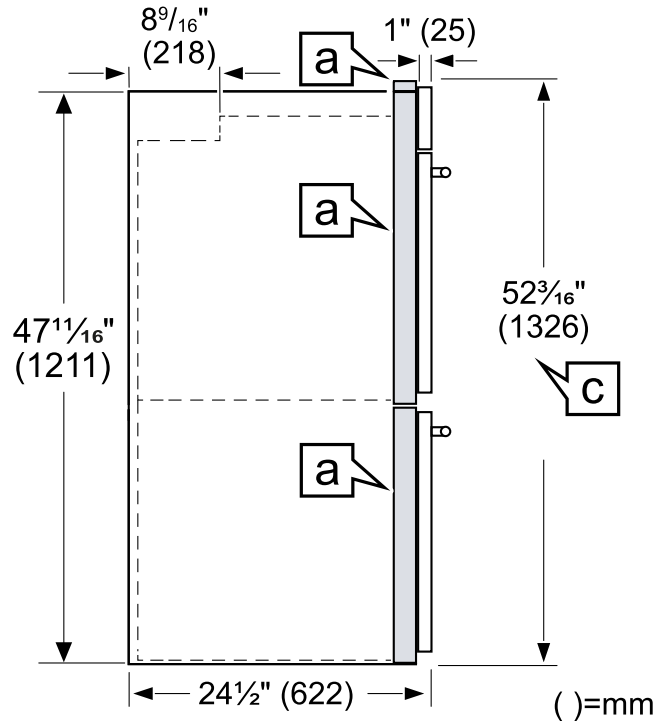
Flush installation requires two side cleats to be attached inside the cabinet frame, recessed from the front.

### Top view



- a Reveal cleats
- b Flush inset depth

### Side view



- a Reveal cleats
- c Flush cutout height

## 10 Prior to installation

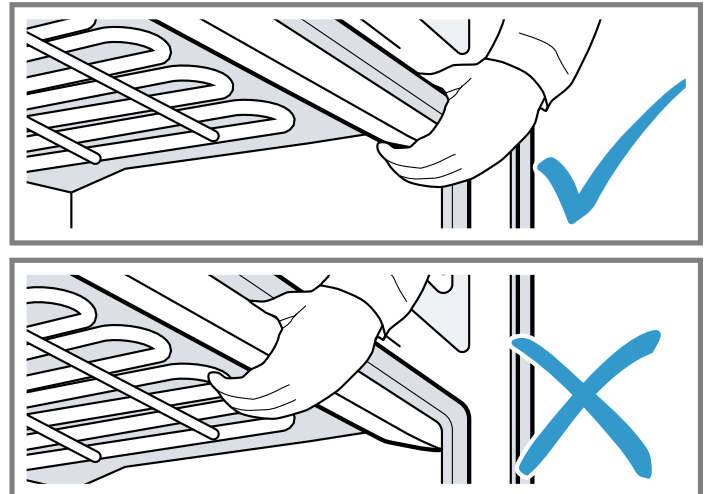
Carry out these steps to prepare your appliance for installation.

### 10.1 Lifting the appliance

Follow these recommendations to prevent injury and damage to the appliance during lifting.

#### **CAUTION**

DO NOT attempt to lift the unit by holding the oven's upper heating element.





- Remove the bottom hinge oven door prior to installation to access the necessary lifting points and to significantly reduce the unit weight. For double ovens with bottom hinge doors, you can remove both oven doors.  
→ "Removing the oven door from bottom hinge conventional ovens", Page 18
- The oven can be difficult for two people to handle during installation. It is recommended to have three or more people available to assist with lifting the unit into place.
- There is a ridge across the top front of the oven cavity. Lift by grasping this ridge with one hand while placing the other hand on the back of the unit. If a third helper is lifting from the front, both hands should lift by holding this ridge area.  
→ "Lifting points", Page 15
- The recommended lifting method depends on the oven door type.

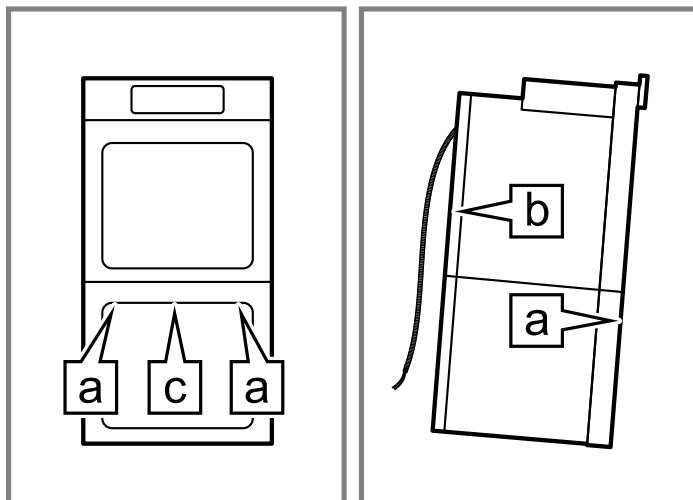
### Lifting points

The persons lifting the appliance should stand on either side of the oven, using the lifting points specified in the chart and illustrations. A third person helping to lift the unit should stand in front of the oven, facing the oven cavity.

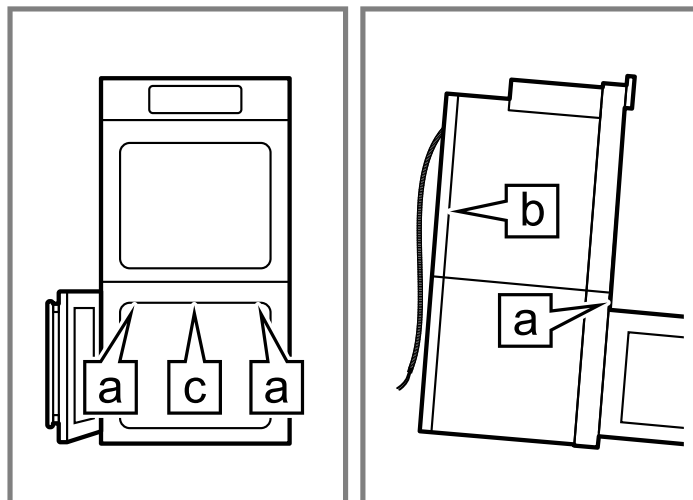
**Note:** The lifting points are shown with the door removed for bottom hinge door and lower door opened to 90° - 110° for side hinge doors.

Lifting points	Description
a	Front location of the hand for the helpers lifting from the sides of the unit
b	Back location of the hand for the helpers lifting from the sides of the unit
c	Location for a third person to help lift the unit

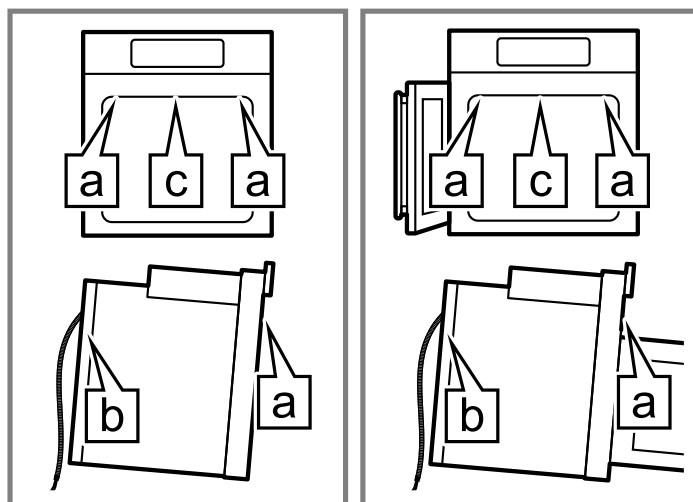
### Double or combination ovens with bottom hinge door



### Double or combination ovens with side hinge door



### Single ovens with bottom or side hinge door



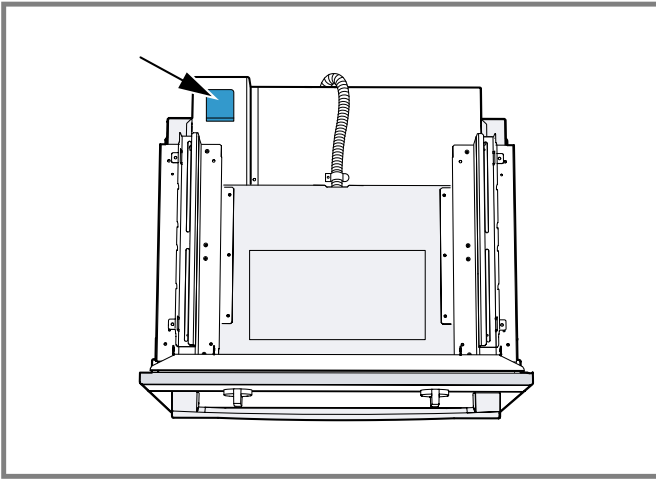
## 10.2 Connecting the speed oven or steam convection oven conduit to the lower oven

The power cable of the upper unit of a combination oven must be properly attached to the junction box mounted on the lower oven.

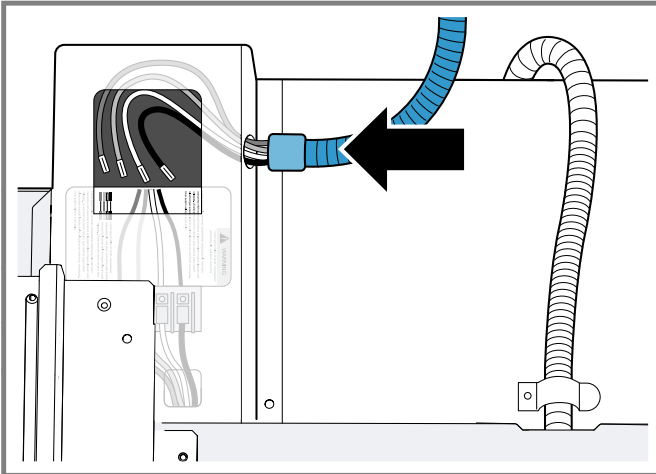
### ⚠ WARNING

Confirm that the oven is not yet connected to the electrical power outlet when you connect the upper and lower oven unit.

1. Remove the oven-mounted junction box cover located on the top rear of the oven.

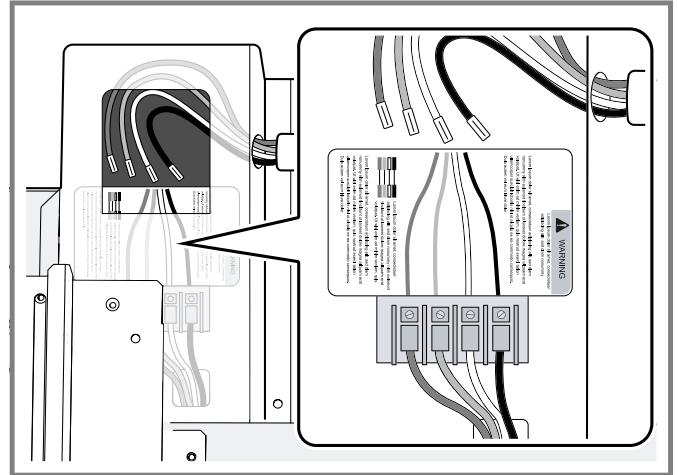


2. Remove the cap from the conduit access hole in the side of the oven-mounted junction box.
3. Guide the wires from the conduit cable coming from the speed oven or steam convection oven through the hole in the oven-mounted junction box.



4. Snap the conduit connector into the hole by pressing it in until it clicks into place.

5. Follow the wiring diagram label; tighten securely, but do not overtighten.
  - Match and connect each wire by color to the wires attached to the wiring block inside the oven-mounted junction box.
  - Push the bare end of the wire until it is snug in the wiring block then tighten down the retaining screw on each wire.
  - There are four wires coming from the speed oven.

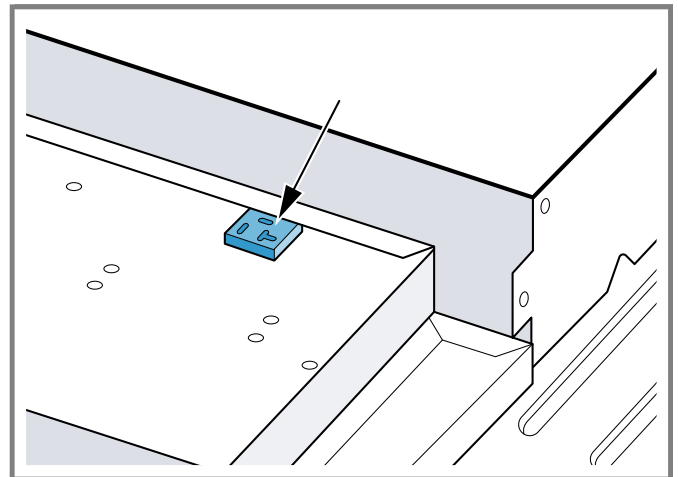


6. Replace the oven-mounted junction box cover and tighten the two screws holding it in place. Tighten securely, but do not overtighten.

### 10.3 Connecting the microwave to the lower oven

The power plug of the upper microwave oven of a combination oven must be plugged into the socket on the lower oven.

1. For microwave combination models HBL57M52UC and HBL87M53UC and speed oven combination model HBL8753UC: Plug the 120 V plug from the microwave into the receptacle on the top rear of the lower oven.



2. For independent microwave model HMB50152UC or speed oven model HMC80152UC: Connect the 120 V plug from the microwave into a dedicated 120 V microwave/speed oven circuit. Refer to the installation manual of the appliance.

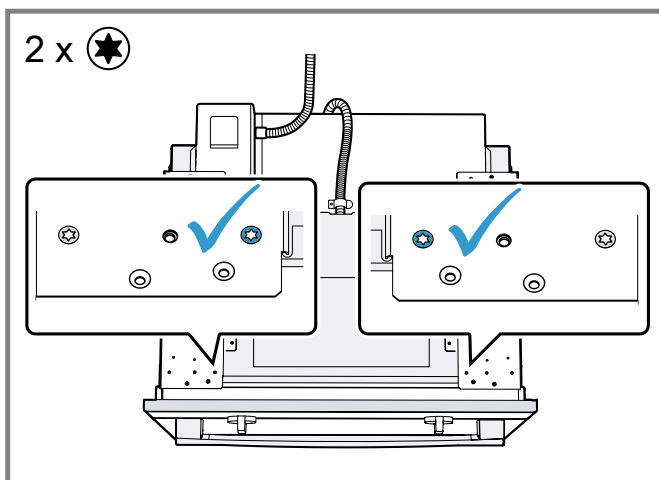
## 10.4 Assembly of the two combination oven units

Secure the microwave, speed oven or steam convection oven on top of the lower oven, before you place the oven into the wall cabinet.

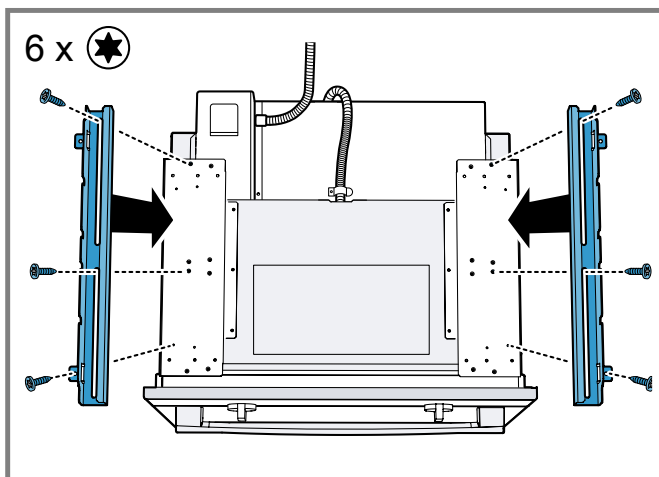
- Prepare the required installation parts.  
→ "Additional parts included for combination ovens", Page 5
- The universal connector brackets are interchangeable for the left and right sides of the oven. Be sure the taller vertical edge of the bracket is positioned to the outside of the oven.

### Attaching the connector brackets for a microwave or speed oven

1. Ensure that the two (2) screws closest to the front of the support are on the inner and outer positions. The screws are in this position on delivery.

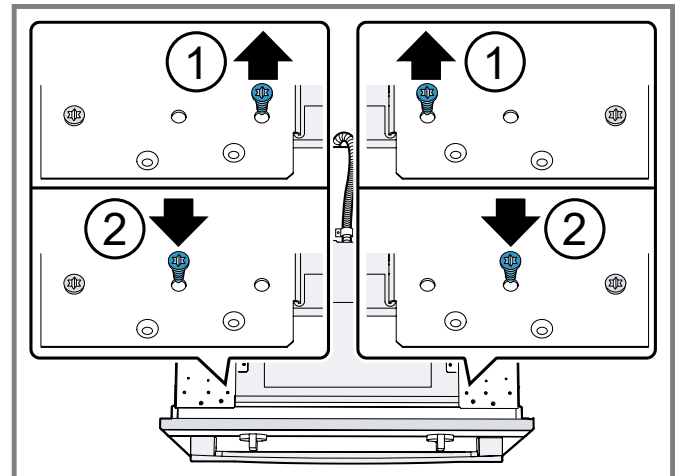


2. Install both universal connector brackets on the outer set of holes on top of the lower oven using six (6) of the screws provided. Tighten screws securely, but do not overtighten.

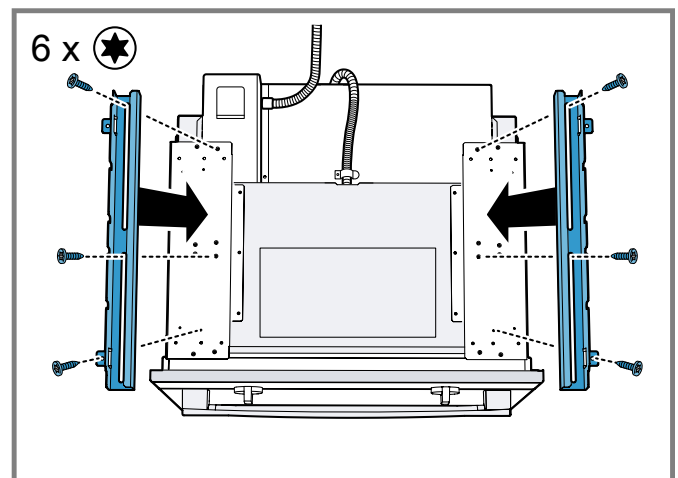


### Attaching the connector brackets for a steam convection oven

1. Ensure that the two (2) screws closest to the front of the support are on the two outermost positions.

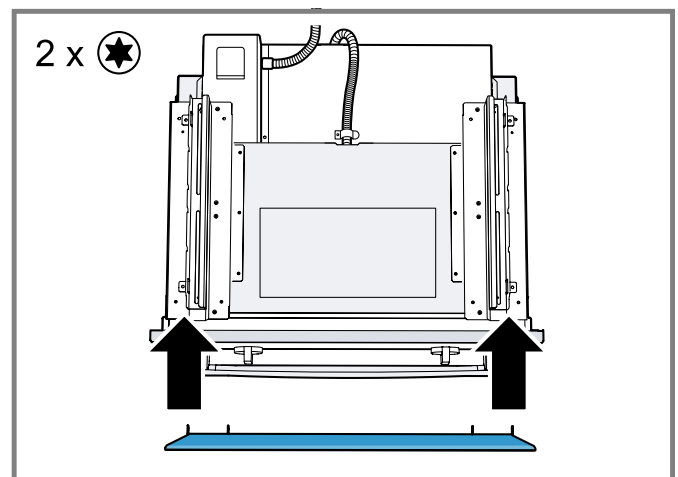


2. Use a T-20 star bit screwdriver to install both universal connector brackets on the inner set of holes on top of the lower oven using six (6) of the screws provided. Tighten screws securely, but do not overtighten.

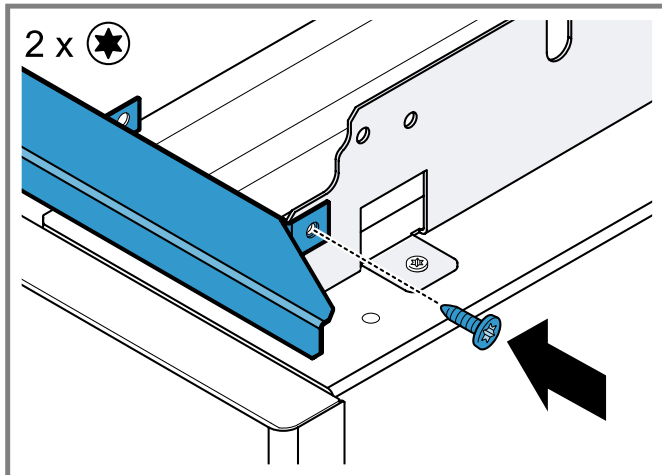


### Installing the decorative trim

1. Position the decorative trim piece so that the flanges with the holes face to the rear of the oven.

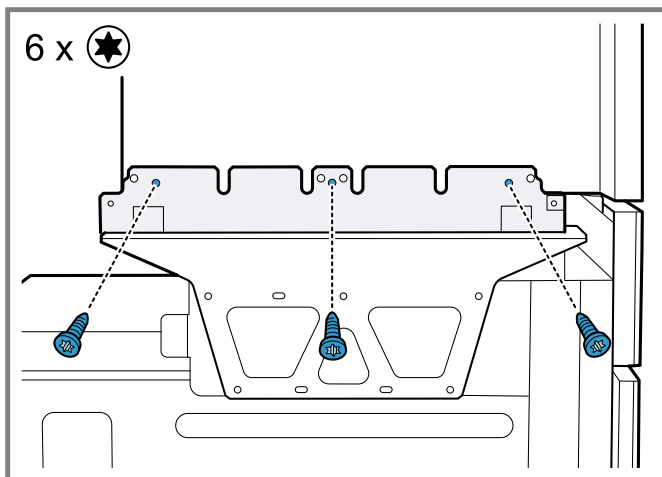


2. Align the outer flanges with the outside of the universal brackets. Fasten with one (1) screw each into the end hole of each universal bracket. Tighten the screws securely, but do not overtighten.



### Securing the upper unit on top of the lower oven

- ▶ Place the steam convection, speed or microwave oven on top of the universal connector brackets and fasten it in place using three (3) screws per side. Tighten the screws securely, but do not overtighten.



The existing screws in the upper unit's base help with alignment. When lowering the upper unit into place on the universal connector brackets, allow these screw heads to slide into the slots. The screw nearest the front of the upper unit should slide into the base of the slope at the front of the bracket.

## 10.5 Removing the oven door from bottom hinge conventional ovens

It is recommended to remove the bottom hinge door of conventional ovens to reduce the weight of the appliance and to facilitate its handling and installation. For double ovens with bottom hinge doors you can remove both oven doors. Side hinge doors cannot be removed.

### ⚠ CAUTION

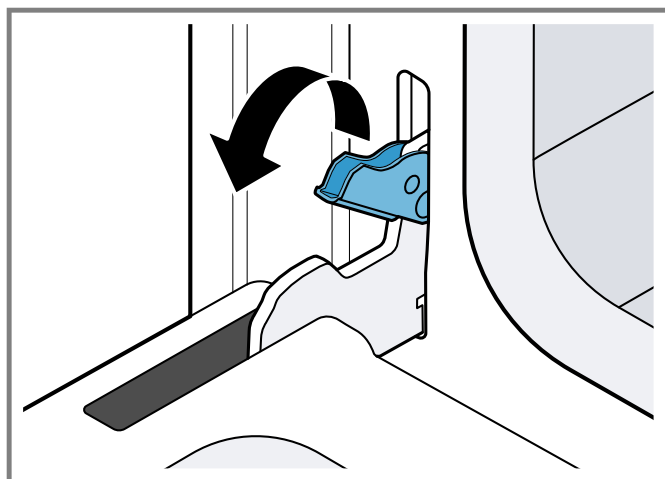
Do not try to remove the speed, steam or microwave oven door. This might damage the appliance and lead to malfunction later on.

### ⚠ WARNING

Failure to follow these instructions when removing the oven door may lead to personal injury or product damage.

- ▶ Make sure oven is cool and power to the oven has been turned off before removing the door. Failure to do so could result in electrical shock or burns.
- ▶ The oven door is heavy and parts of it are fragile. Use both hands to remove the oven door.
- ▶ The door front is glass. Handle it carefully to avoid breakage.
- ▶ Grasp only the side of the oven door. Do not grasp the handle. It may swing in your hand and cause damage or injury. Failure to grasp the oven door firmly and properly could result in personal injury or product damage.
- ▶ To avoid injury from hinge bracket snapping closed, be sure both levers are securely in place before removing the door.
- ▶ Do not force the door open or closed. The hinge could be damaged and cause damage or injury.
- ▶ Do not lay the removed door on sharp or pointed objects as this could break the glass. Lay it on a flat, smooth surface, positioned so that the door cannot fall over.

1. Open the oven door to its fully open position.
2. Flip levers on hinges toward you.

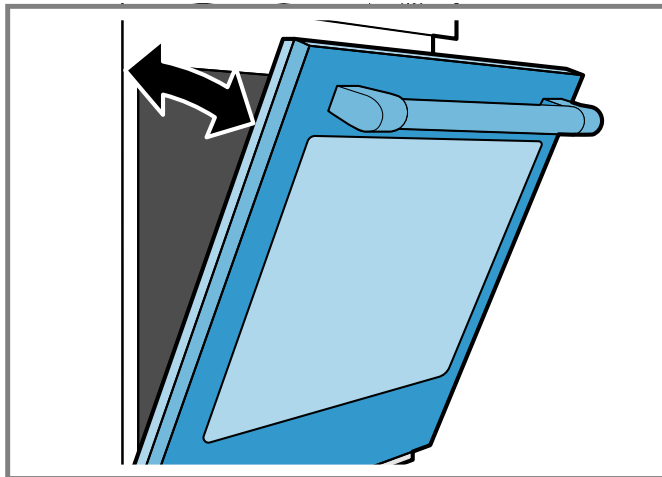


If necessary, use a tool, such as a screwdriver, to gently pry the upper part of the lever away from the housing. Take care to avoid scratching the housing.

3. Bring both door hinge levers to their fullest down position. The left and right door hinges differ slightly but operate in the same manner.

4. **⚠ CAUTION** Follow the instructions below to prevent the latch from slamming shut and pinching or cutting your hand.

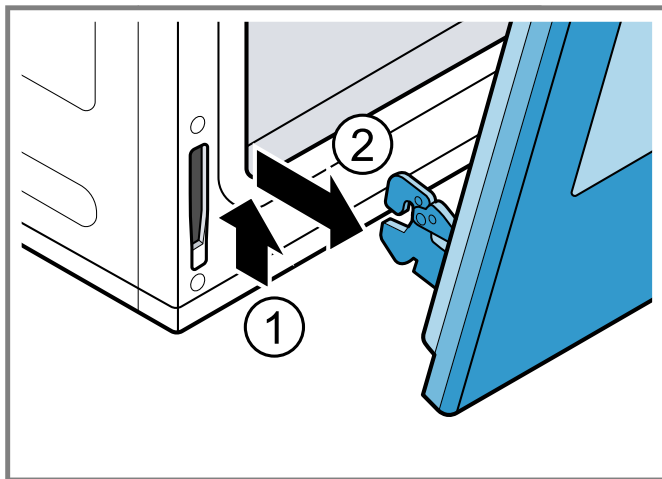
Close the oven door until it catches on the hinge stop levers, locking the hinges at the proper angle for door removal.



- ✓ The door will be open about 7" (18 cm) at the top.

5. **⚠ CAUTION** The door is heavy.
- ▶ Do not grip the door by the handle.
  - ▶ Use both hands to firmly grip it by the sides.

Maintaining the door angle, lift the door straight up approximately 3/4" (2 cm) to unhook the hinges from the slots and then pull it out towards you until the hinges are clear of the oven housing.



6. Place the door in a convenient and stable location. Do not lay the door on its handle. This could cause dents or scratches.

## 11 Installing the ovens into the cabinet

Follow these instructions to install your appliance in the cabinet.

### **⚠ CAUTION**

It is recommended to wear protective clothing during the lifting process.

- ▶ Wear gloves and long sleeves to protect hands and forearms from abrasion and potential scratches.

- ▶ Take off watches and jewelry.
- ▶ Wear work shoes for foot protection.

### **⚠ CAUTION**

DO NOT attempt to lift the unit by holding the oven's upper heating element.

Three people or proper equipment are needed to safely lift the combination oven into the cabinet opening.

### Requirements

- You have verified the cabinet dimensions and electrical connections.
- You have removed the oven door.  
→ "Removing the oven door from bottom hinge conventional ovens", Page 18
- You have read the lifting recommendations → Page 14.

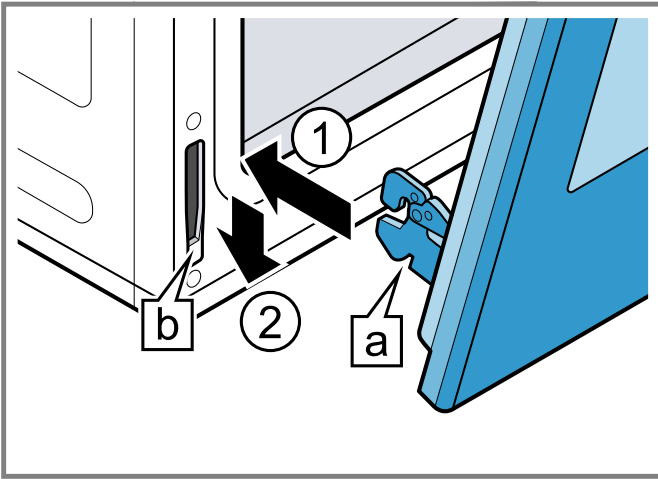
1. Position the unit on its packaging base close to and in front of the cabinet opening.
2. Lift or slide the unit into the cabinet cutout. Do not allow the unit base to contact the flooring.
3. Guide the unit straight back into the cabinet cutout. Push the unit straight in until the oven trim is about 2" (5 cm) from being flush with cabinet wall.
4. Check that the electrical conduit cable is not crimped between the oven and the cabinet back wall. If necessary, guide the electric conduit cable into the wall of the cabinet access hole so it does not prevent the unit from being pushed all the way into the cabinet opening.
5. Check that the oven is straight and level.
6. Push the unit all the way back into the cabinet cutout until the front edge of the unit is flush with the front of the cabinet.
7. Install the supplied screws through the tap holes in the trim.

Refer to the enclosed SCREW INSTALLATION leaflet.

### 11.1 Reinstalling the oven door

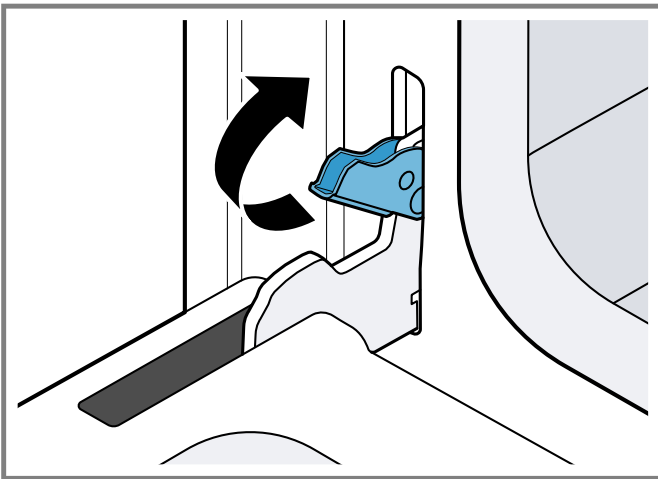
1. Hold the door firmly in both hands. Grip it on either side, not by the handle.
2. Tilt the door back slightly towards you at an angle that would open the door about 7" (18 cm) at the top.

- Slide the hinges **a** into the slots **b** as far as they will go **①** and lower the door straight down **②**.



The angle of the door may need to be adjusted slightly to allow the hinges to engage properly and the door to be lowered into place. The door should lower about 3/4" (2 cm) and stop. If it does not, the hinges have not engaged properly and the door could fall if it is released.

- Once both hinges are fully engaged, gently open the door until it is fully open.
- Push the levers on both the hinges up and forward until they are locked into the slot and flush with the front of the oven body.

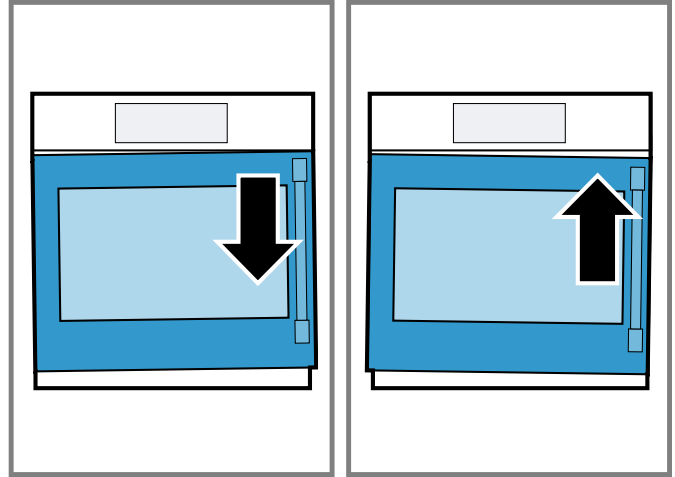


- Close and open the door slowly to be sure it is correctly and securely in place.

## 11.2 Adjusting the door alignment for side hinge doors

When the unit is fully installed into the cabinet, you can adjust the alignment of the side hinge oven doors.

- Check to see if the oven doors are properly aligned.

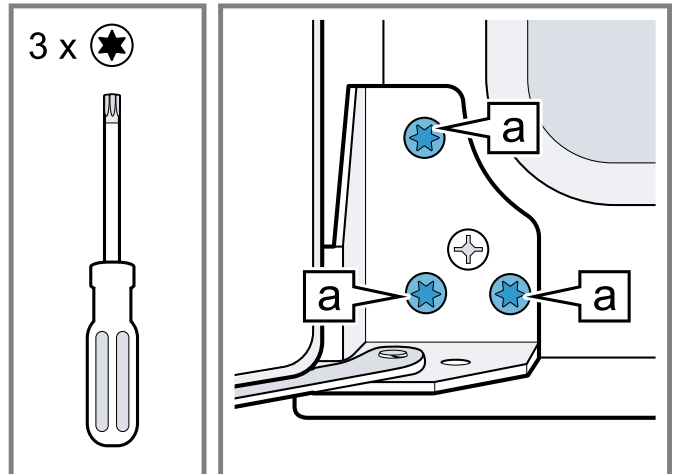


- Examine the gap between the top of the closed oven door and the control panel. For double ovens also examine the gap between the top of the closed lower oven door and the upper oven door. It should be fairly uniform from side to side.
- The door should pull itself closed smoothly when the striker engages the roller as the door is closed.
- If you feel interference between the striker and the catch receiver, the door is too high. The door needs to move down on the latch side.
- If you feel a bump when the striker comes into contact with the realignment roller, the door is too low. The door needs to move up on the latch side.

- Open the door to approximately 135°.

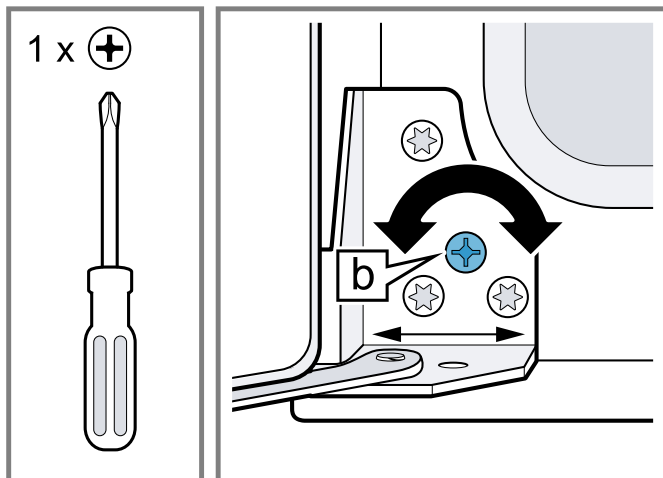
- Note:** All adjustments can be made with the lower hinge only. The upper hinge is fixed in place and cannot be adjusted.

Use a T-20 star bit screwdriver to loosen the three (3) screws **a** on the lower hinge by one to two full turns.





4. Use a cross head screwdriver to turn the cam **b** right or left to adjust the hinge position in the desired direction.



**Note:** 1 mm of hinge movement (left or right) will move the door up or down approximately 1.5 mm at the door catch.

5. Re-tighten the screws, then close the door to test. Be careful not to overtighten.
6. Check for proper door alignment. Repeat adjustment procedure as necessary.

## 12 Electrical connection

Read these instructions to safely connect your appliance to the electrical supply.

### 12.1 Electrical requirements

Make sure your electrical installation supports the following requirements.

This appliance must be supplied with the proper voltage and frequency and connected to an individual, properly grounded branch circuit, protected by a circuit breaker or fuse. To know the circuit breaker or fuse required by your

model, see the rating plate to find the wattage consumption and refer to the ratings table to get the circuit breaker or fuse amperage.

All oven models on the front cover of this Installation Instructions are dual rated, designed to be connected to either 208 V or 240 V AC, 60 Hz, 4-wire, single-phase power supply.

Model	Circuit required	Watts @ 240 V	Circuit required	Watts @ 208 V
HBL5351UC, HBL5344UC	30 A	6300	30 A	4800
HBL5451UC, HB- N8451UC, HBL8454UC, HBL8453UC, HBL8443UC, HBL8444LUC, HBL8444RUC, HBLP454UC, HBLP451UC, HBLP451LUC, HBLP451RUC	30 A	6400	30 A	4800
HBL5551UC	40 A	6000	30 A	4500
HBL5651UC, HBL8651UC, HBL8642UC	40 A	8500	40 A	6500
HBL57M52UC, HBL87M53UC	40 A	8000	40 A	6500
HBL5754UC, HBL8753UC, HBL8743UC, HBLP752UC	40 A	9600	40 A	8400
HBN8654UC	40 A	8600	40 A	6600
HBLP651UC, HBLP651LUC, HBLP651RUC	40 A	9200	40 A	7000
HSLP751UC	40 A	8400	40 A	6400

### 12.2 Location of the power outlet

Before you install the appliance, check the location of the power outlet.

- If the electrical supply is located in the cabinet opening, the electrical connection must be made prior to placing the oven in the opening.
- If the electrical supply is in an adjacent cabinet, electrical connection can be made after placing the oven in the opening.

- ▶ The electrical conduit cable swivels where it is connected at the oven. Rotate the electric conduit cable upward or downward and direct it through the prepared hole in the cabinet.

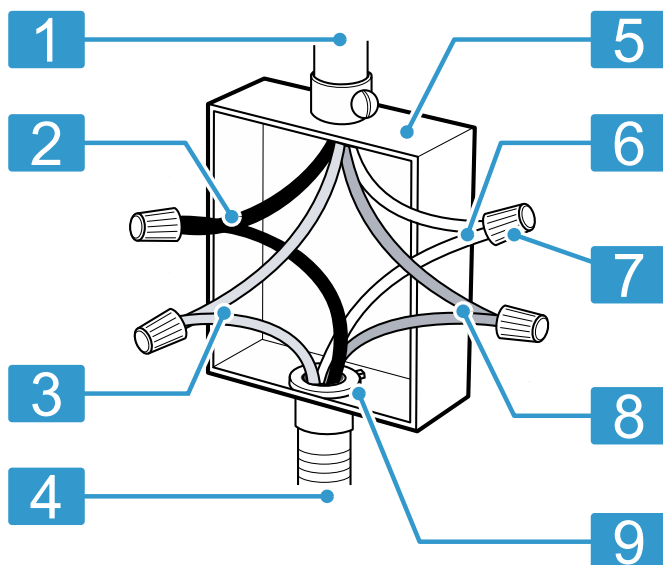
### 12.3 Routing the electrical conduit cable

#### Requirements

- A hole in the cabinet has been prepared to route the electric conduit from the oven to the junction box.
- Serviceability must be maintained. Do not shorten the electric conduit cable. Route the electric conduit cable in a way to permit temporary removal of the oven.

## 12.4 Installing a four-wire connection

- IMPORTANT:** Use the four-wire cable from home power supply in the U.S. where local codes do not allow grounding through neutral, New Branch circuit installations (1996 NEC), mobile homes and recreational vehicles, new construction and in Canada.

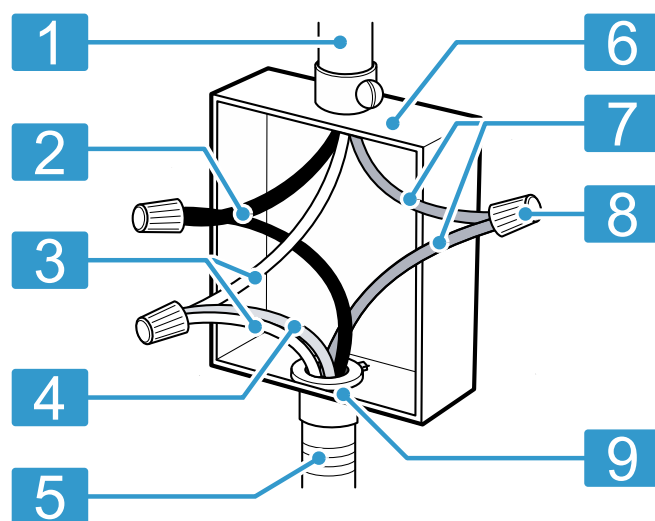


1	Cable from home power supply
2	Black wires
3	Red wires
4	4-wire flexible conduit from oven
5	UL listed or CSA approved junction box
6	White wires
7	UL listed wire connectors
8	Green (or bare) ground wire
9	UL listed or CSA approved conduit connector

- Connect the red oven wire to the red electrical supply wire (hot wire).
- Connect the black oven wire to the black electrical supply wire (hot wire).
- Connect the white neutral oven wire to the white neutral (not bare or green ground) electrical supply wire.
- Connect the green ground oven wire to the bare or green ground electrical supply wire.

## 12.5 Installing a three-wire connection

- IMPORTANT:** Use the three-wire cable from home power supply only where local codes permit a three-wire connection.



1	Cable from home power supply
2	Black wires
3	White wires
4	Green (or bare) ground wire (from oven)
5	4-wire flexible conduit from oven
6	UL listed or CSA approved junction box
7	Red wires
8	UL listed wire connectors
9	UL listed or CSA approved conduit connector

- Connect the red wire from the oven to the red wire in the junction box.
- Connect the black wire from the oven to the black wire in the junction box.
- Connect both green ground wire and white wire from the oven to the white, green or bare neutral wire in the junction box.

## 13 Testing the operation

Check if your unit is working properly after you have completed the installation steps.

- Turn on power at the breaker.
- To test the oven select the **Bake** mode. See the User Manual for detailed operating instructions.
- Verify that the oven light comes on and the oven begins to preheat.
- To test the door lock set the **Self Clean** mode. Confirm that the door locks when the lock icon appears in the display.

## 14 Customer Service

If you have any questions on use, are unable to eliminate an issue in the appliance yourself, or the appliance needs to be repaired, please contact our Customer Service.

With any warranty repair, we will make sure your appliance is repaired by an authorized service provider using genuine replacement parts. We use only genuine replacement parts for all repairs.

Detailed information on the warranty period and terms of warranty can be found in the Statement of Limited Product Warranty, from your retailer, or on our website.

If you contact the Customer Service, you will need the model number (E-Nr.) and the production number (FD) of your appliance.

This product contains light sources from energy efficiency class G. These light sources are available as a spare part and should only be replaced by trained specialist staff.

USA:

1-800-944-2904

[www.bosch-home.com/us/owner-support/get-support](http://www.bosch-home.com/us/owner-support/get-support)

[www.bosch-home.com/us/shop](http://www.bosch-home.com/us/shop)

CA:

1-800-944-2904

[www.bosch-home.ca/en/service/get-support](http://www.bosch-home.ca/en/service/get-support)

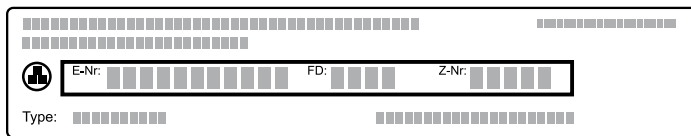
[www.bosch-home.ca/en/service/cleaners-and-accessories](http://www.bosch-home.ca/en/service/cleaners-and-accessories)

For assistance with connecting to Home Connect™, you can also view instructions here:

[www.home-connect.com/us/en/help-support/set-up](http://www.home-connect.com/us/en/help-support/set-up)

### 14.1 Model number (E-Nr.) and production number (FD)

You can find the model number (E-Nr.) and the production number (FD) on the appliance's rating plate.



Making a note of your appliance's details and the Customer Service telephone number will enable you to find them again quickly.

### 14.2 Rating plate location

You can find the rating plate of your appliance:

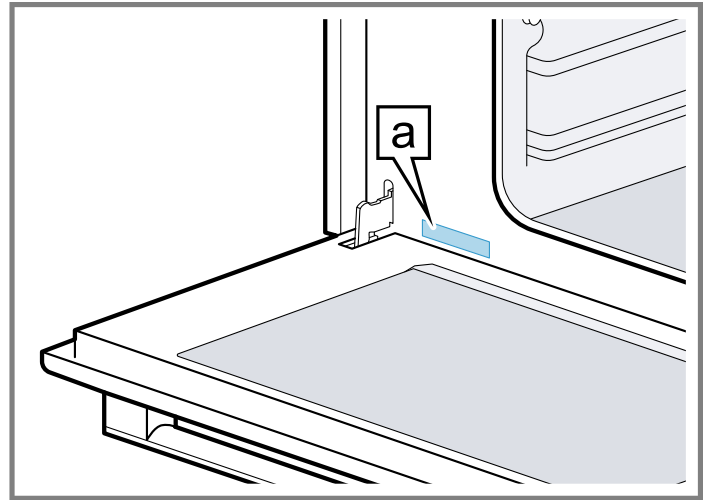
**a** Rating plate

#### Microwave and speed oven rating plate

The rating plate is located at the inside of the appliance door.

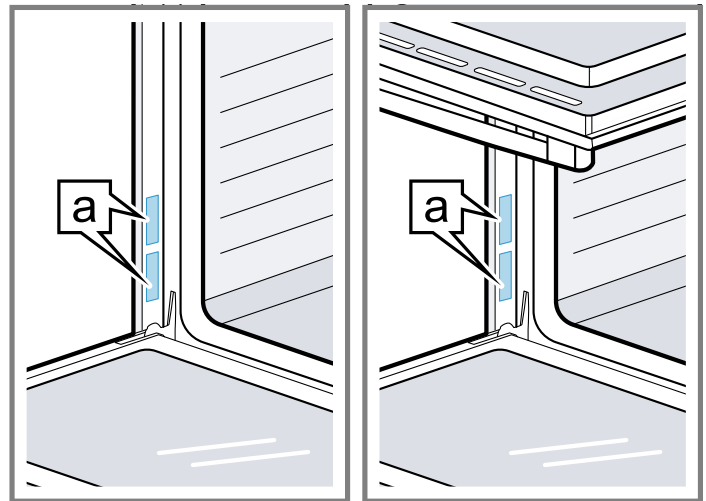
#### Steam convection oven rating plate

The rating plate is located at the left hand side of the door trim.



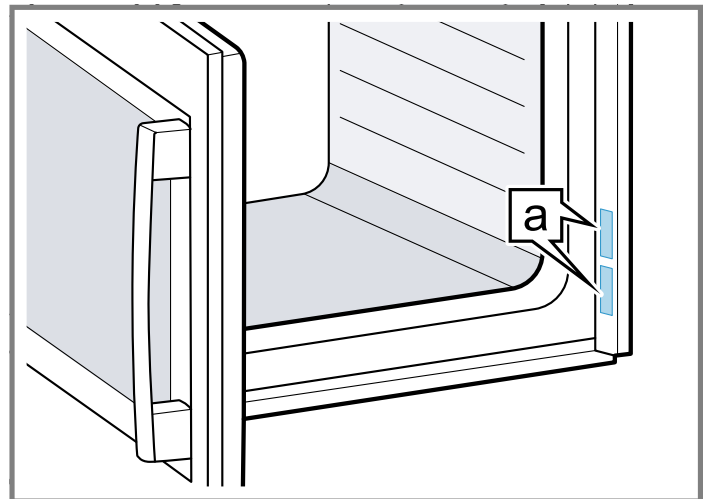
#### Single and double oven rating plate

The rating plate is located at the left hand side of the door trim.



#### Single oven side hinge rating plate

The rating plate is located at the side of the door trim opposite the hinges.



## Table des matières

<b>1 IMPORTANTES CONSIGNES DE SÉCURITÉ .....</b>	<b>26</b>	<b>10 Avant l'installation .....</b>	<b>40</b>
1.1 Définitions des termes de sécurité .....	26	10.1 Soulever l'appareil .....	40
1.2 Informations générales.....	26	10.2 Connexion du four rapide ou du conduit du four à convection vapeur au four inférieur .....	41
1.3 Consignes générales de sécurité .....	26	10.3 Connexion du micro-ondes au four inférieur .....	42
1.4 Manipulation sécuritaire des appareils .....	27	10.4 Assemblage des deux unités de four combinés .....	42
1.5 Codes et normes de sécurité .....	27	10.5 Retrait de la porte du four des fours conventionnels à charnière inférieure .....	44
1.6 Sécurité électrique .....	27	<b>11 Installation des fours dans l'armoire.....</b>	<b>45</b>
1.7 Mises en garde conformément à la proposition 65 de l'État de Californie .....	28	11.1 Réinstallation de la porte du four .....	46
1.8 Transport .....	28	11.2 Réglage de l'alignement des portes pour les portes à charnières latérales.....	46
<b>2 Avant de commencer.....</b>	<b>29</b>	<b>12 Raccordement électrique.....</b>	<b>48</b>
2.1 À propos de votre four combiné .....	29	12.1 Exigences électriques .....	48
2.2 Installations combinées .....	29	12.2 Emplacement de la prise de courant.....	48
2.3 Pièces incluses .....	29	12.3 Acheminement du câble de conduit électrique .....	48
2.4 Outils et pièces nécessaires.....	29	12.4 Installation d'une connexion à quatre fils.....	49
2.5 Exigences d'alimentation et mise à la terre .....	29	12.5 Installation d'une connexion à trois fils .....	49
<b>3 Élimination de l'emballage .....</b>	<b>29</b>	<b>13 Opération d'essai.....</b>	<b>49</b>
3.1 Retrait de l'emballage des fours simples et doubles intégrés.....	29	<b>14 Service à la clientèle.....</b>	<b>50</b>
3.2 Retrait de l'emballage des fours combinés intégrés .....	30	14.1 Numéro de modèle (E-Nr.) et numéro de fabrication (FD) .....	50
<b>4 Exigences d'installation .....</b>	<b>30</b>	14.2 Emplacement de la plaque signalétique.....	50
4.1 Poids de l'électroménager.....	30		
4.2 Exigences concernant l'emplacement .....	30		
<b>5 Dimensions pour les fours simples de 30 po .....</b>	<b>31</b>		
5.1 Dimensions de l'appareil à four simple de 30 po .....	31		
5.2 Installation traditionnelle d'un four simple de 30 po.....	31		
5.3 Installation affleurante d'un four simple de 30 po.....	32		
5.4 Installation sous le comptoir d'un four simple de 30 po.....	33		
<b>6 Dimensions du four double de 30 po .....</b>	<b>33</b>		
6.1 Dimensions de l'appareil à four double de 30 po .....	33		
6.2 Installation traditionnelle d'un four double de 30 po.....	34		
6.3 Installation affleurante d'un four double de 30 po .....	34		
<b>7 Dimensions du four combiné de 30 po .....</b>	<b>35</b>		
7.1 Dimensions de l'appareil à four combiné de 30 po ...	35		
7.2 Installation traditionnelle d'un four combiné de 30 po.....	36		
7.3 Installation affleurée dans un four combiné de 30 po.....	36		
<b>8 Dimensions du four simple de 27 po.....</b>	<b>37</b>		
8.1 Dimensions du four simple de 27 po .....	37		
8.2 Installation traditionnelle d'un four simple de 27 po.....	37		
8.3 Installation affleurante d'un four simple de 27 po.....	38		
8.4 Installation sous le comptoir d'un four simple de 27 po.....	38		
<b>9 Dimensions du four double de 27 po .....</b>	<b>39</b>		
9.1 Dimensions de l'appareil à four double de 27 po .....	39		
9.2 Installation traditionnelle d'un four double de 27 po.....	39		
9.3 Installation affleurante d'un four double de 27 po .....	40		



# IMPORTANTES CONSIGNES DE SÉCURITÉ

## LIRE ET CONSERVER CES INSTRUCTIONS

Lisez toutes les instructions attentivement avant l'utilisation. Ces précautions réduiront le risque d'électrocution, d'incendie et de blessure pour les personnes utilisant l'appareil. Lorsque vous utilisez des appareils électroménagers, il importe de suivre les précautions de sécurité de base, y compris celles indiquées dans les pages suivantes.

### 1.1 Définitions des termes de sécurité

Vous trouverez ici des explications sur les mots de signalisation de sécurité utilisés dans ce manuel.

#### **AVERTISSEMENT**

Signale un risque de mort ou de blessure grave si l'avertissement n'est pas respecté.

#### **MISE EN GARDE**

Signale un risque de blessures mineures ou modérées si l'avertissement n'est pas respecté.

#### **AVIS :**

Ceci indique que la non-conformité à cet avis de sécurité peut entraîner des dégâts matériels ou endommager l'appareil.

**Remarque :** Ceci vous signale des informations et/ou indications importantes.

### 1.2 Informations générales

Vous trouverez ici des informations générales sur ce manuel.

- Veuillez lire attentivement ce manuel.
- Respectez les consignes de sécurité et les avertissements.
- Conservez le manuel et les informations sur le produit dans un endroit sûr pour référence future ou pour le prochain propriétaire.
- Vérifiez que l'appareil n'est pas endommagé après l'avoir déballé. Ne branchez pas l'appareil s'il a été endommagé pendant le transport.

### 1.3 Consignes générales de sécurité

**IMPORTANT :** CONSERVEZ CES INSTRUCTIONS POUR L'UTILISATION DE L'INSPECTEUR ÉLECTRIQUE LOCAL.

**INSTALLATEUR :** LAISSER CES INSTRUCTIONS D'INSTALLATION AVEC L'UNITÉ POUR LE PROPRIÉTAIRE.

**PROPRIÉTAIRE :** VEUILLEZ CONSERVER CES INSTRUCTIONS POUR RÉFÉRENCE FUTURE.

#### **AVERTISSEMENT**

Si les consignes du présent manuel ne sont pas suivies à la lettre, il y a un risque d'incendie ou d'électrocution pouvant entraîner des dommages matériels ou des blessures.

Ne pas réparer, remplacer ni retirer toute pièce de l'électroménager à moins que cela ne soit spécifiquement recommandé par les manuels. L'installation, les réparations ou l'entretien inadéquats pourraient causer des blessures ou des dégâts matériels.

- ▶ Consulter ce manuel pour les directives d'utilisation.
- ▶ Toutes les autres réparations doivent être effectuées par un prestataire de services agréé.

Lorsque vous installez une table de cuisson sur un seul four, veillez à suivre les instructions des manuels d'installation du four et de la table de cuisson.

- ▶ Vous pouvez trouver une liste des combinaisons approuvées de table de cuisson et de four dans la matrice de combinaisons approuvées de votre table de cuisson, ou vous pouvez contacter le service clientèle pour obtenir la dernière liste des combinaisons approuvées. Ne pas essayer d'installer la table de cuisson au-dessus de n'importe quel four non énuméré dans cette liste.

Ne jamais modifier ni altérer la structure de l'appareil électroménager.

- ▶ Par exemple, ne retirez pas les pieds d'ajustement, les panneaux, les couvre-fils ou les vis ou supports anti-basculement.

#### **AVERTISSEMENT**

Retirer tout le ruban adhésif et l'emballage avant d'utiliser l'électroménager.

- ▶ Éliminez l'emballage d'une manière respectueuse de l'environnement.
- ▶ Ne laissez jamais les enfants jouer avec le matériel d'emballage.





# IMPORTANTES CONSIGNES DE SÉCURITÉ

LIRE ET CONSERVER CES INSTRUCTIONS

## 1.4 Manipulation sécuritaire des appareils

### AVERTISSEMENT



L'unité est lourde et son déplacement exige au moins deux personnes ou encore un équipement approprié.

- ▶ Pour les fours doubles, trois personnes ou plus sont nécessaires pour aider à soulever l'unité en place.
- ▶ Ne pas soulever l'appareil par la poignée de porte.
- ▶ Retirez la porte pour une manipulation et une installation plus faciles. Voir les instructions dans ce manuel.

### AVERTISSEMENT



Certaines surfaces cachées peuvent avoir des rebords tranchants.

- ▶ Redoubler de vigilance quand vous passez la main derrière ou sous l'appareil électroménager.

## 1.5 Codes et normes de sécurité

Cet appareil est conforme aux plus récentes versions de l'une ou plus des normes suivantes :

- CAN/CSA C22.2 n ° 150 - Fours à micro-ondes
- CAN/CSA C22.2 no 61 - Cuisinières domestiques
- CSA C22.2 no 64 - Appareils ménagers de cuisson et de chauffage à liquide
- UL 1026 - Appareils électroménagers pour la cuisson et la préparation des aliments
- UL 923 - Appareils de cuisson à micro-ondes
- UL 858 - Cuisinières électriques domestiques

Il est de la responsabilité du propriétaire et de l'installateur de déterminer si des exigences et/ou des normes supplémentaires s'appliquent à des installations spécifiques.

## 1.6 Sécurité électrique

- **Installateur** - indiquez au propriétaire l'emplacement du disjoncteur ou du fusible. Identifiez sa position pour pouvoir le retrouver facilement.
- S'il y a lieu, conformément au Code national de l'électricité (ou au Code canadien de l'électricité), cet appareil doit être installé sur un circuit de dérivation séparé.

- Les codes locaux peuvent varier. L'installateur est responsable de s'assurer que l'installation, les connexions et la mise à la terre sont conformes à tous les codes applicables. Le fabricant n'est pas responsable des problèmes associés à une mauvaise installation de ce produit.
- Voir la fiche signalétique pour plus d'information.  
→ "Emplacement de la plaque signalétique", Page 50

### AVERTISSEMENT

Avant l'installation, couper l'alimentation au panneau de service.

- ▶ Verrouiller le panneau de service pour empêcher que l'alimentation ne soit rétablie par accident.



### RISQUE D'ÉLECTROCUTION

- ▶ Débranchez l'alimentation avant l'installation ou l'entretien. Avant de rétablir l'alimentation, s'assurer que toutes les commandes sont à la position d'arrêt (OFF).
  - ▶ NE PAS enlever de raccords.
  - ▶ NE PAS utiliser de rallonge.
  - ▶ Une mise à la terre inadéquate peut entraîner un risque d'électrocution.
  - ▶ Tout manquement à ces directives peut entraîner la mort ou une électrocution, ou déclencher un incendie.
- ### INSTRUCTIONS DE MISE À LA TERRE
- ▶ Cet appareil doit être mis à la terre.
  - ▶ La mise à la terre réduit le risque de choc électrique en fournissant une voie sûre pour le courant électrique en cas de court-circuit.
  - ▶ Assurez-vous que l'appareil est correctement installé et mis à la terre par un technicien qualifié.
  - ▶ L'installation, les raccordements électriques et la mise à la terre doivent être conformes avec tous les codes en vigueur.

Avant de brancher le cordon électrique, vérifiez que toutes les commandes sont à la position OFF (Arrêt).

Avant de mettre sous tension la source d'alimentation, vérifiez que toutes les commandes sont à la position OFF (Arrêt).



# IMPORTANTES CONSIGNES DE SÉCURITÉ

## LIRE ET CONSERVER CES INSTRUCTIONS

### 1.7 Mises en garde conformément à la proposition 65 de l'État de Californie

Ce produit pourrait contenir un produit chimique reconnu par l'État de la Californie comme cancérigène ou ayant des effets nocifs sur la reproduction. Par conséquent, vous pourriez devoir apposer l'étiquette suivante sur l'emballage du produit comme requis par la Californie :

**AVERTISSEMENT ISSUE DE LA PROPOSITION 65 DE L'ÉTAT DE LA CALIFORNIE :**

**AVERTISSEMENT**

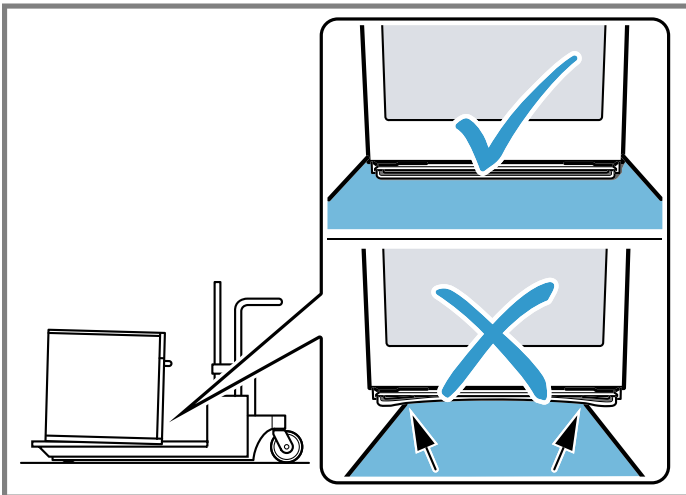
Cancer et dommages à la reproduction -  
[www.P65Warnings.ca.gov](http://www.P65Warnings.ca.gov)

### 1.8 Transport

Suivez ces précautions lors du transport de votre appareil.

**AVIS :**

Pour éviter d'endommager l'appareil, utilisez la méthode de transport illustrée ci-dessous.



## 2 Avant de commencer

Lisez ces instructions avant de commencer l'installation de votre appareil.

### 2.1 À propos de votre four combiné

Vous trouverez ici des informations générales sur l'installation de votre four combiné.


- Certains fours Bosch sont vendus en combinaison. Chaque combinaison comprend deux fours intégrés : un four mural conventionnel, qui doit être installé comme four inférieur, et un four supérieur qui est soit un four rapide, un four à convection à vapeur ou un micro-ondes.
- Pour faciliter l'installation et améliorer l'alignement, les modules de four sont assemblés chez le consommateur plutôt qu'à l'usine.
- Chaque module est emballé dans une boîte différente qui est ensuite attachée à l'autre avant l'expédition.
- Les fours combinés sont approuvés pour être utilisés dans une seule découpe, en utilisant un seul raccordement électrique.
- Le four conventionnel est conçu avec une boîte de jonction montée sur le four sur le dessus, qui est utilisée pour connecter le câble d'alimentation du four supérieur.
- Le matériel nécessaire au montage du four rapide, du four à convection à vapeur ou du four à micro-ondes au-dessus du four conventionnel est livré à l'intérieur de la boîte du four conventionnel.
- Chacun des composants du four combiné a sa propre plaque signalétique avec le numéro de modèle (E-Nr.), le numéro de production (FD) et la numérotation consécutive (Z-Nr.), etc.

### 2.2 Installations combinées

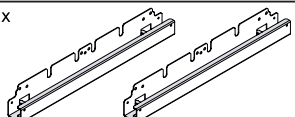
Pour les installations combinées avec d'autres produits Bosch (c.-à-d. table de cuisson au-dessus du four, etc.), reportez-vous au Guide de combinaison approuvé situé dans la trousse de manuels ou sur notre site Web pour les exigences de dégagement supplémentaires pour votre installation spécifique.


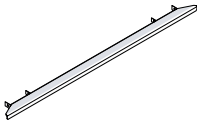
### 2.3 Pièces incluses

Après avoir déballé le produit, inspectez toutes les pièces pour détecter d'éventuels dégâts dus au transport et pour vous assurer de l'intégralité de la livraison.

8 x ⊕		8 x vis de montage du four (situé dans le sac en polyéthylène rouge dans l'emballage de la casserole de grill) Se reporter à la notice jointe INSTALLATION DES VIS
-------	---	---

### Pièces supplémentaires incluses pour les fours combinés

2 x		2 x supports de connecteur universels (dans la boîte de pièces sur le dessus du four)
-----	---	---

16 x ⊕		10 x vis à goujon 6 x vis à épaulement (situé dans un sac rouge à l'intérieur de la boîte de pièces)
1 x		1 x pièce de garniture décorative (situé dans le sac en plastique fixé sur le dessus du four)

### 2.4 Outils et pièces nécessaires

Préparez ces outils et accessoires avant de commencer à installer votre électroménager.

- Crayon
- Ruban à mesurer
- Niveau
- Tournevis à embout étoile T-20
- Tournevis cruciforme
- Perceuse avec mèche (1/8 po)
- Couteau
- Gants de sécurité

### 2.5 Exigences d'alimentation et mise à la terre

La prise de courant doit être correctement mise à la terre selon tous les codes applicables.

## 3 Élimination de l'emballage

Protégez tout revêtement de sol fini avant de déplacer le four.

### 3.1 Retrait de l'emballage des fours simples et doubles intégrés

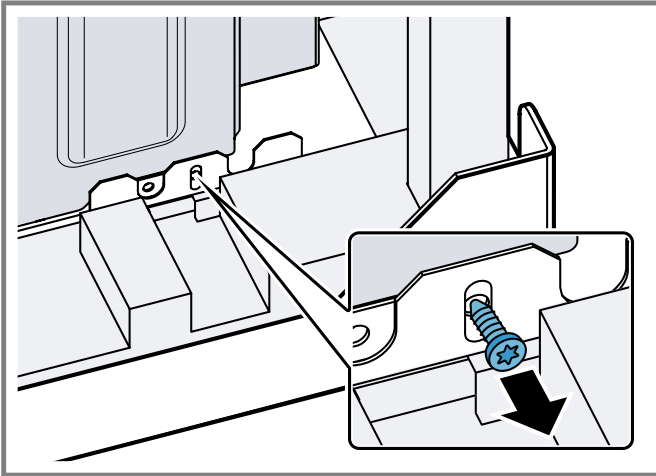
1. Coupez les sangles de la boîte.
2. Ouvrez le haut du carton et retirez le cadre supérieur en bois.
3. Retirez le carton en la soulevant à la verticale pour l'enlever de l'unité.

Alternativement, vous pouvez couper soigneusement le long de la ligne de coupe sur le côté arrière gauche du carton avec une lame plus courte que 3/4 po (20 mm).

4. Placez l'unité devant l'armoire où elle doit être installée. L'unité doit être alignée avec la découpe de l'armoire. Laissez l'unité sur la base de l'emballage jusqu'à ce qu'elle soit prête à être soulevée dans la découpe de l'armoire.
5. Retirez tous les emballages de protection internes, les grilles, les accessoires et les manuels d'instructions de la cavité du four.

## 6. Retirez les supports d'emballage.

- À l'aide d'un tournevis à embout étoile T-20, retirez les vis qui traversent les trous oblongs des supports de montage sur les côtés gauche et droit.
- Ne retirez aucune autre vis du four.



- ✓ Le four est libéré de la base d'emballage.
  - ✓ Les supports restent dans la base d'emballage.
7. Laissez l'appareil sur la base de l'emballage jusqu'à ce que vous le souleviez dans la découpe de l'armoire ou sur le four inférieur.

### 3.2 Retrait de l'emballage des fours combinés intégrés

1. Coupez les sangles de la boîte.
2. Retirez les panneaux d'angle/protecteurs de sangle du haut du carton.
3. Retirez le carton extérieur en le soulevant et en le retirant de l'appareil.  
Vous pouvez également couper soigneusement le long de la ligne de coupe sur le côté arrière gauche du carton avec une lame plus courte que 3/4 po (20 mm).
4. Retirez l'unité supérieur du four combiné. Placez-le sur le sol de manière à pouvoir ouvrir les deux cartons d'expédition.
5. Retirez l'emballage des unités individuelles selon les instructions imprimées sur les cartons individuels ou en vous référant à  
→ "Retrait de l'emballage des fours simples et doubles intégrés", Page 29

## 4 Exigences d'installation

Lisez ces instructions pour préparer l'espace d'installation de votre appareil.

### 4.1 Poids de l'électroménager

La base de l'armoire doit supporter le poids de votre four comme indiqué dans ce tableau.

Type de four	Poids
Fours simples de 27 po	145 lb (66 kg)
Fours doubles de 27 po	258 lb (117 kg)

Type de four	Poids
Fours simples de 30 po	161 lb (73 kg)
Fours doubles de 30 po	292 lb (133 kg)
Fours combinés de 30 po	274 lb (125 kg)

### 4.2 Exigences concernant l'emplacement

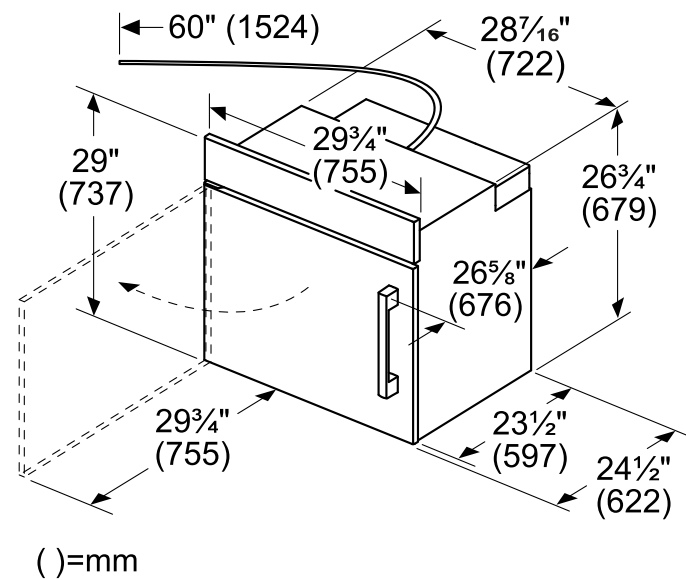
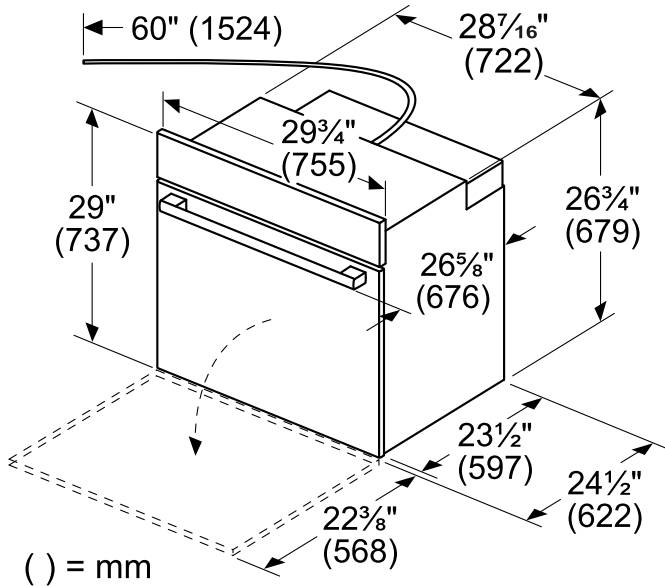
Assurez-vous que votre emplacement d'installation remplit les conditions suivantes avant de commencer la procédure d'installation.

- Lorsqu'un four est installé à la fin d'une rangée d'armoire, à côté d'un mur perpendiculaire ou d'une porte d'armoire, laissez au moins 1/4 po (6,4 mm) d'espace entre le côté du four et le mur ou la porte.
- Installez des planches de 5,1 cm (2 po) sur 10,2 cm (4 po) qui s'étendent d'avant en arrière et qui sont de niveau avec le fond et le côté de l'ouverture pour servir de support au four.
- La base de support doit être bien fixée au sol ou à l'armoire et doit être de niveau.
- L'ouverture de l'armoire doit être d'aplomb et la base doit être plate et de niveau.
- Lors de l'installation d'un four à charnière latérale, laisser un dégagement d'au moins 10 po (254 mm) pour permettre l'ouverture de la porte.
- Les boîtes de raccordement peuvent être situées n'importe où, à la portée du câble d'alimentation du four.
- La base de l'armoire doit être plate et capable de supporter le poids de votre appareil. Consultez le tableau des poids de l'appareil pour connaître les exigences de votre four.
- Les dimensions sous le four sont fournies à titre indicatif et peuvent être ajustées au besoin en fonction d'une application particulière. Consultez un professionnel en design pour optimiser les préférences personnelles.

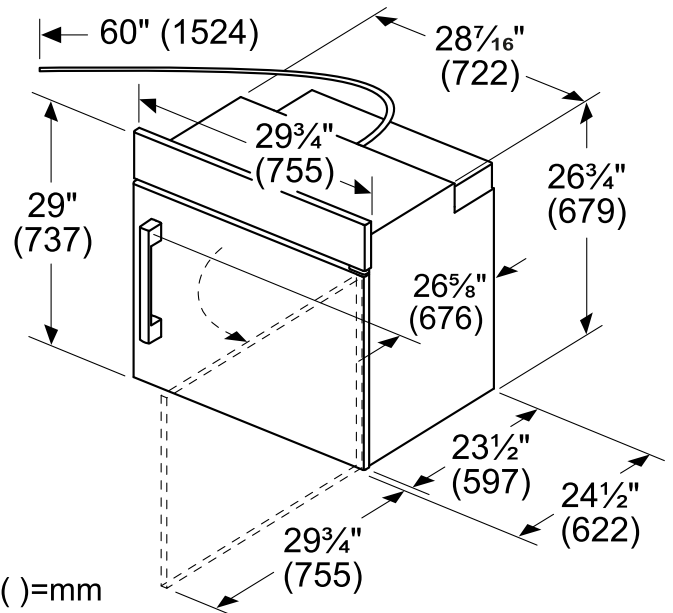
## 5 Dimensions pour les fours simples de 30 po

Lisez ici les dimensions de l'appareil et de l'armoire pour les fours simples de 30 po.

### 5.1 Dimensions de l'appareil à four simple de 30 po

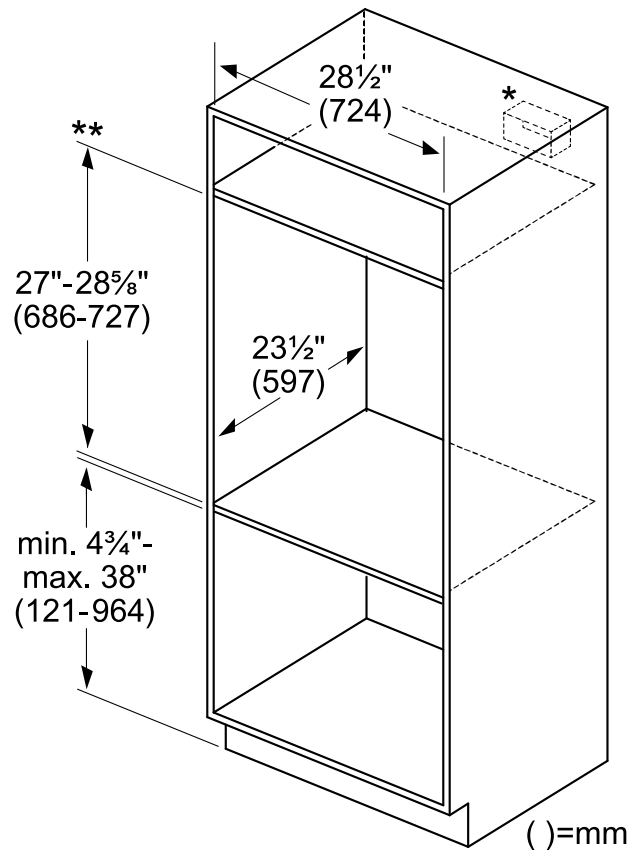


Laisser un espace de 3/4 po (19 mm) à l'avant de l'armoire la plus proche pour l'ouverture de la porte.



Laisser un espace de 3/4 po (19 mm) à l'avant de l'armoire la plus proche pour l'ouverture de la porte.

### 5.2 Installation traditionnelle d'un four simple de 30 po



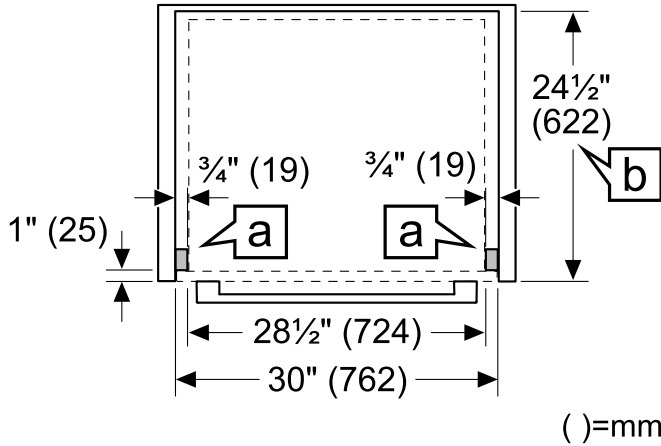
\* La boîte de jonction peut être située au-dessus, en dessous, à gauche ou à droite de l'unité à portée du conduit flexible.

\*\* Chevauchement du panneau de commande : min 3/8 po (10 mm) à max 2 po (51 mm).

### 5.3 Installation affleurante d'un four simple de 30 po

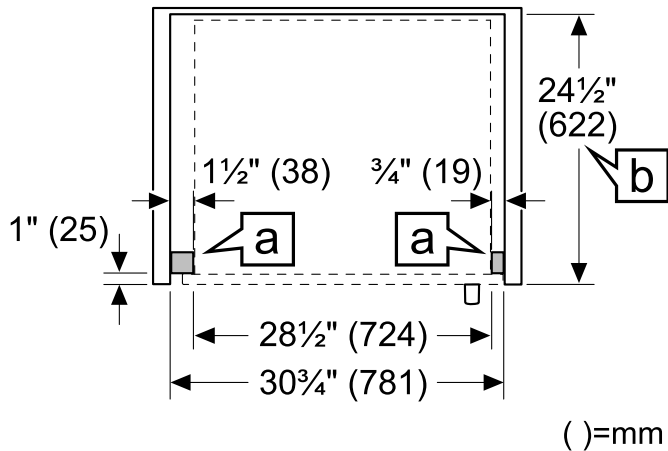
Une installation affleurée nécessite la fixation de deux taquets latéraux à l'intérieur du cadre de l'armoire, en retrait par l'avant.

**Vue de dessus porte à charnières inférieure**



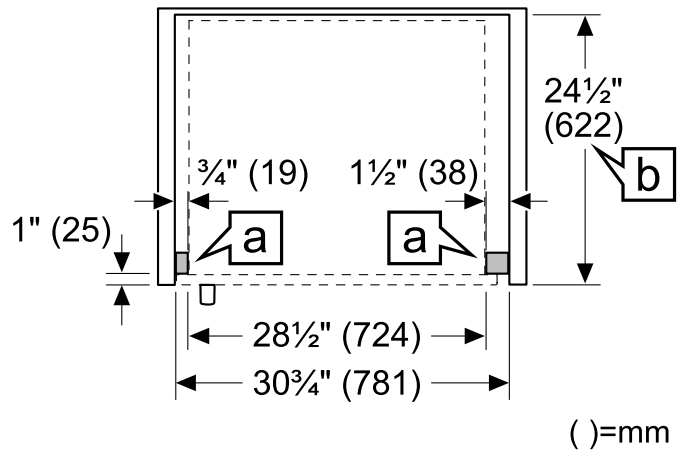
- a Bordure de cadre
- b Profondeur intérieure en affleurement

**Vue de dessus porte battante gauche**



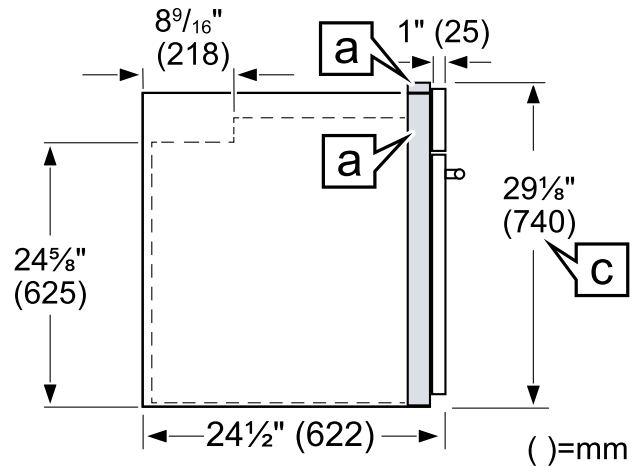
- a Bordure de cadre
- b Profondeur intérieure en affleurement

**Vue de dessus porte battante droite**



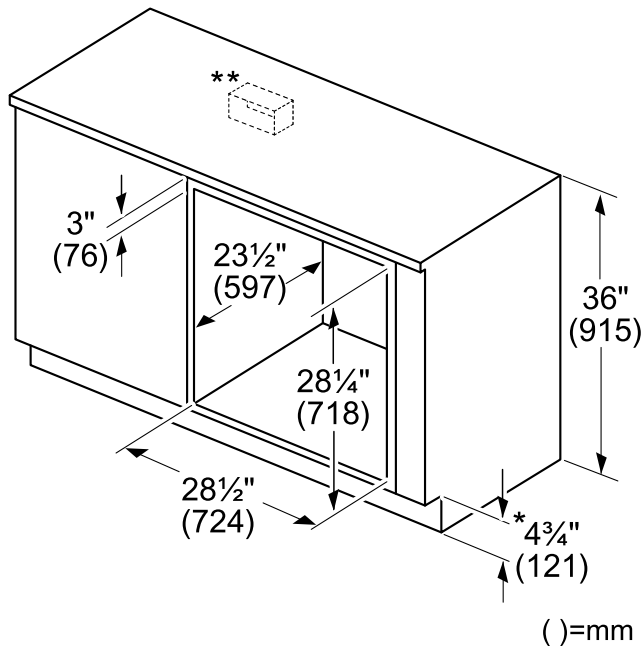
- a Bordure de cadre
- b Profondeur intérieure en affleurement

**Vue latérale (représentative)**



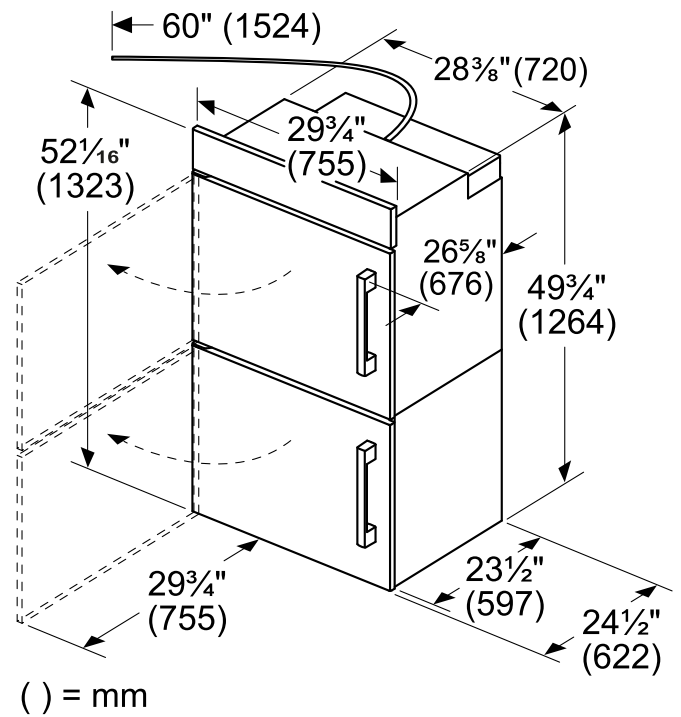
- a Bordure de cadre
- c Hauteur de découpe affleurante

### 5.4 Installation sous le comptoir d'un four simple de 30 po



\* Comprend un socle de 3/4 po (19 mm).

\*\* La boîte de jonction peut être située à gauche ou à droite de l'unité à portée du conduit flexible.

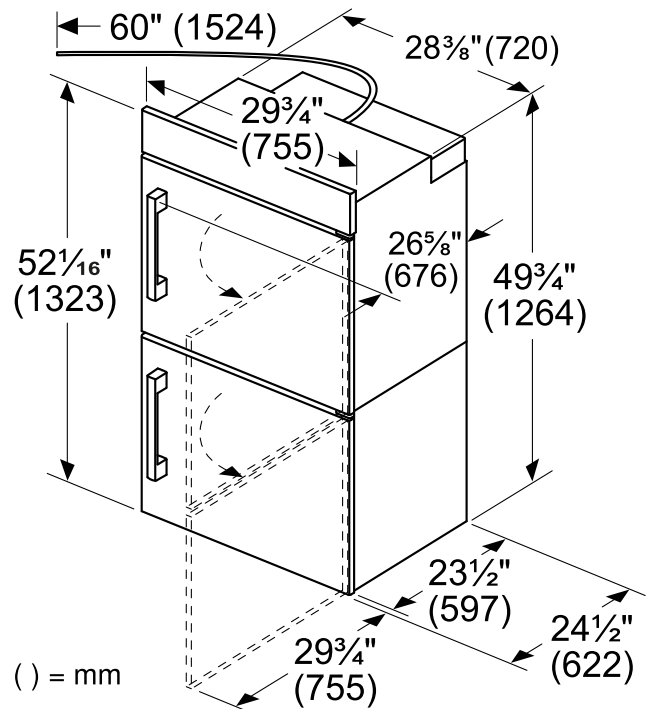
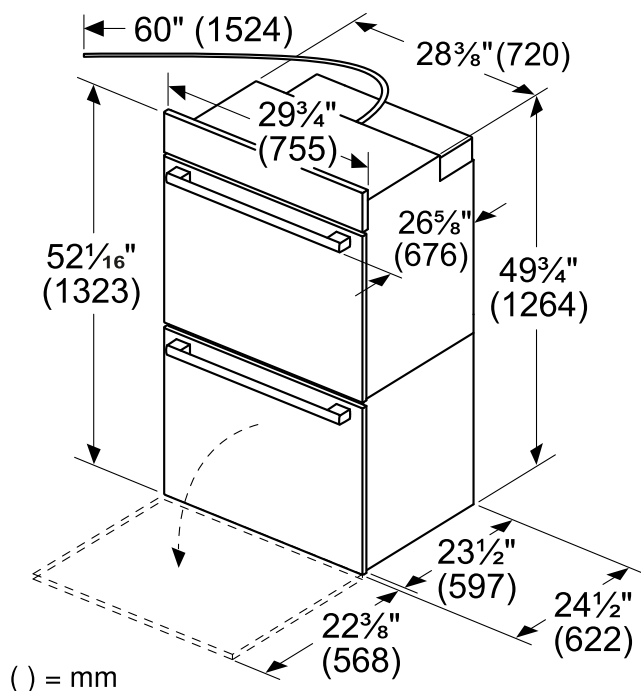


Laisser un espace de 3/4 po (19 mm) à l'avant de l'armoire la plus proche pour l'ouverture de la porte.

## 6 Dimensions du four double de 30 po

Lisez ici les dimensions de l'appareil et de l'armoire pour les fours doubles de 30 po.

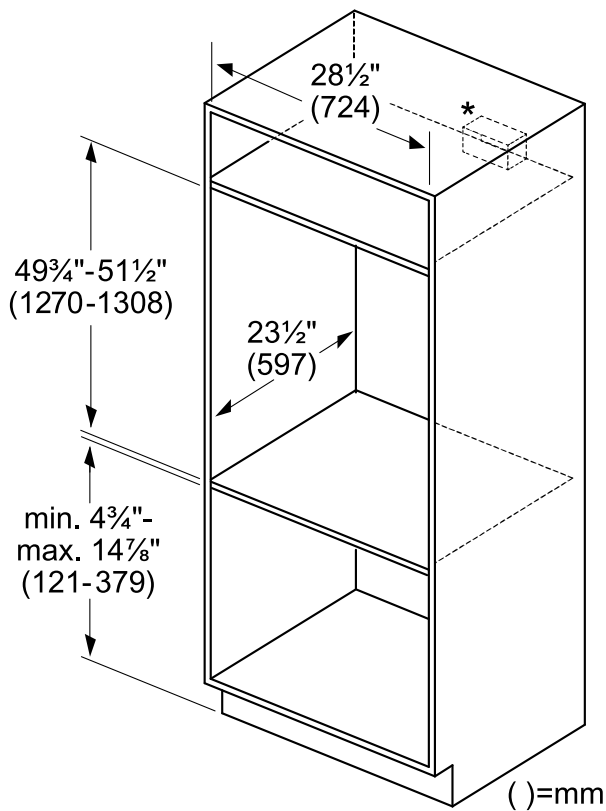
### 6.1 Dimensions de l'appareil à four double de 30 po



Laisser un espace de 3/4 po (19 mm) à l'avant de l'armoire la plus proche pour l'ouverture de la porte.



## 6.2 Installation traditionnelle d'un four double de 30 po

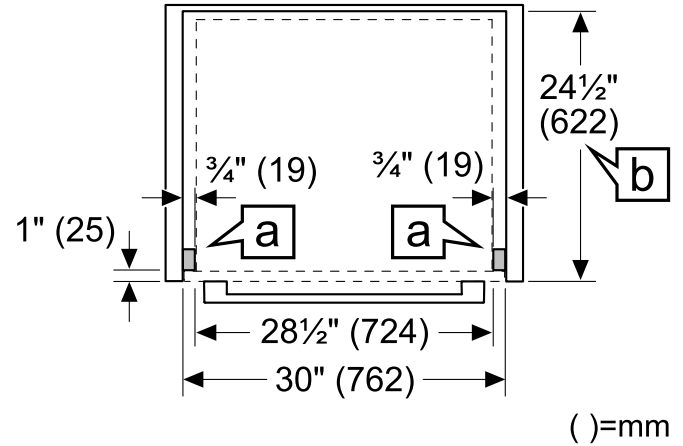


\* Emplacement de la boîte de jonction: au-dessus, à gauche ou à droite de l'unité à la portée du conduit flexible.  
Chevauchement du panneau de commande : min 3/8 po (10 mm) à max 2 po (51 mm).

## 6.3 Installation affleurante d'un four double de 30 po

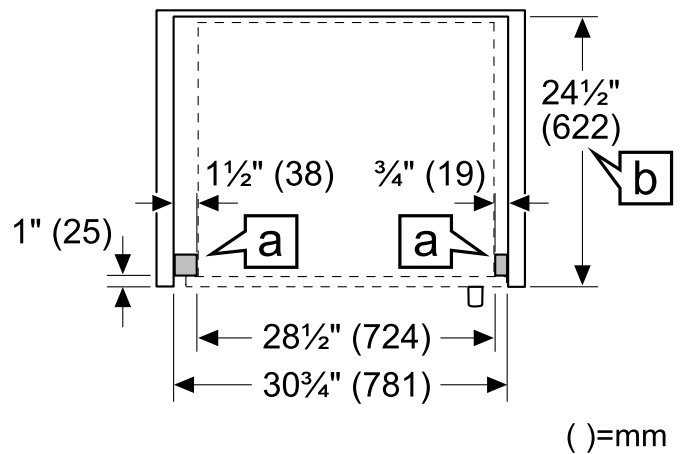
Une installation affleurée nécessite la fixation de deux taquets latéraux à l'intérieur du cadre de l'armoire, en retrait par l'avant.

### Vue de dessus porte à charnières inférieure



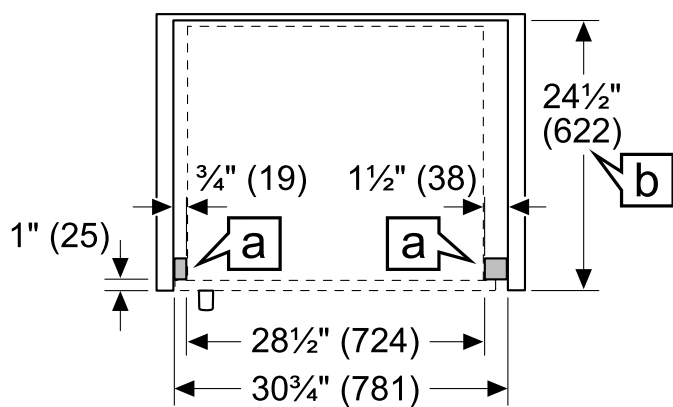
- |   |                                       |
|---|---------------------------------------|
| a | Bordure de cadre                      |
| b | Profondeur intérieure en affleurement |

### Vue de dessus porte battante gauche



- |   |                                       |
|---|---------------------------------------|
| a | Bordure de cadre                      |
| b | Profondeur intérieure en affleurement |

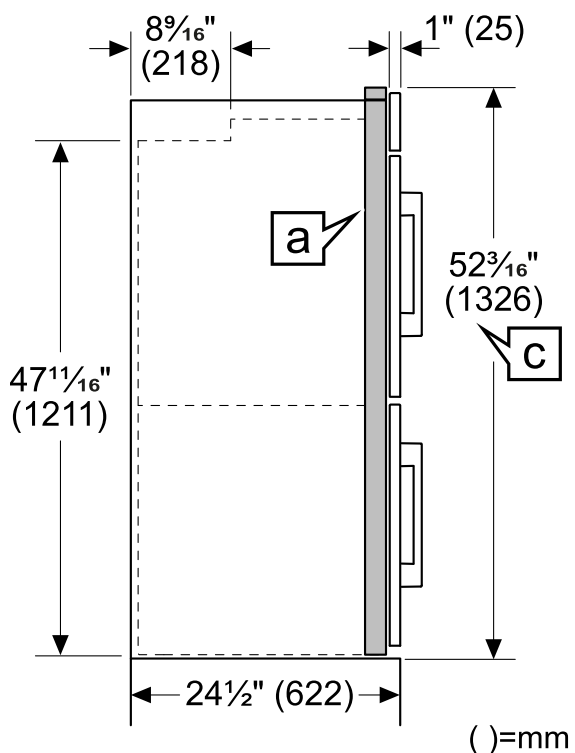
Vue de dessus porte battante droite



( )=mm

- a Bordure de cadre
- b Profondeur intérieure en affleurement

Vue latérale (représentative)



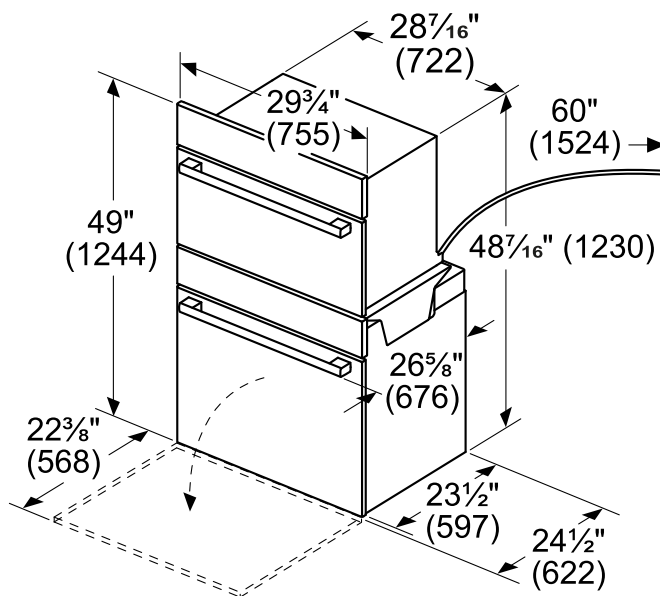
( )=mm

- a Bordure de cadre
- c Hauteur de découpe affleurante

## 7 Dimensions du four combiné de 30 po

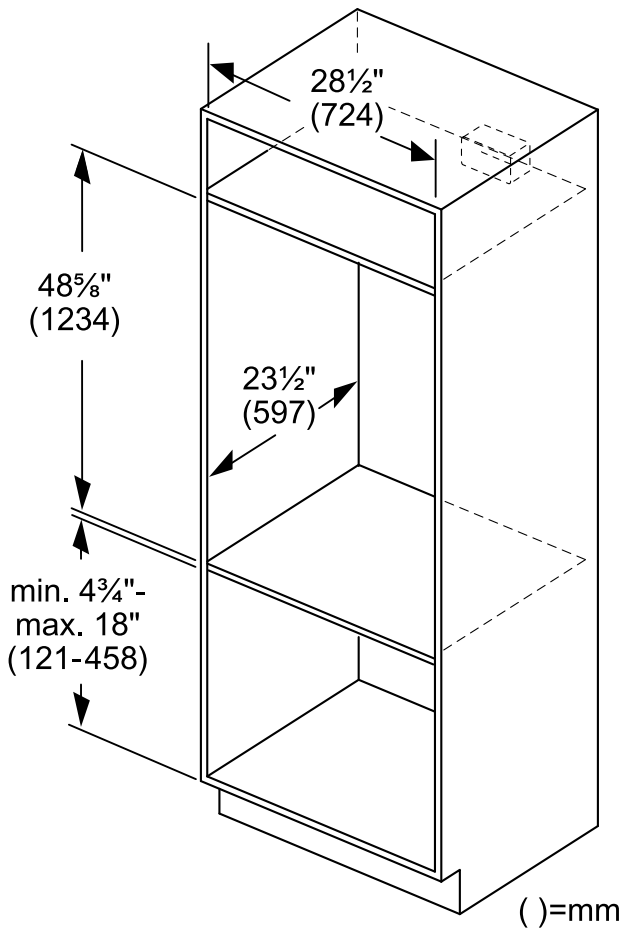
Lisez ici les dimensions de l'appareil et de l'armoire des fours combinés de 30 po.

### 7.1 Dimensions de l'appareil à four combiné de 30 po



( ) = mm

## 7.2 Installation traditionnelle d'un four combiné de 30 po

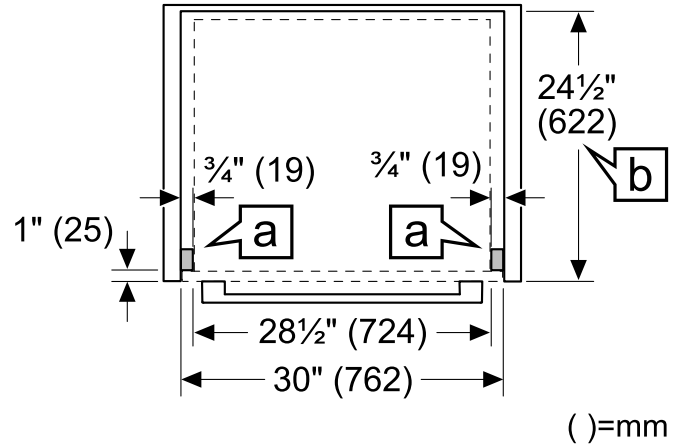


\* Emplacement de la boîte de jonction: au-dessus, à gauche ou à droite de l'unité à la portée du conduit flexible.  
Chevauchement du panneau de commande : min 3/8 po (10 mm) à max 2 po (51 mm).

## 7.3 Installation affleurée dans un four combiné de 30 po

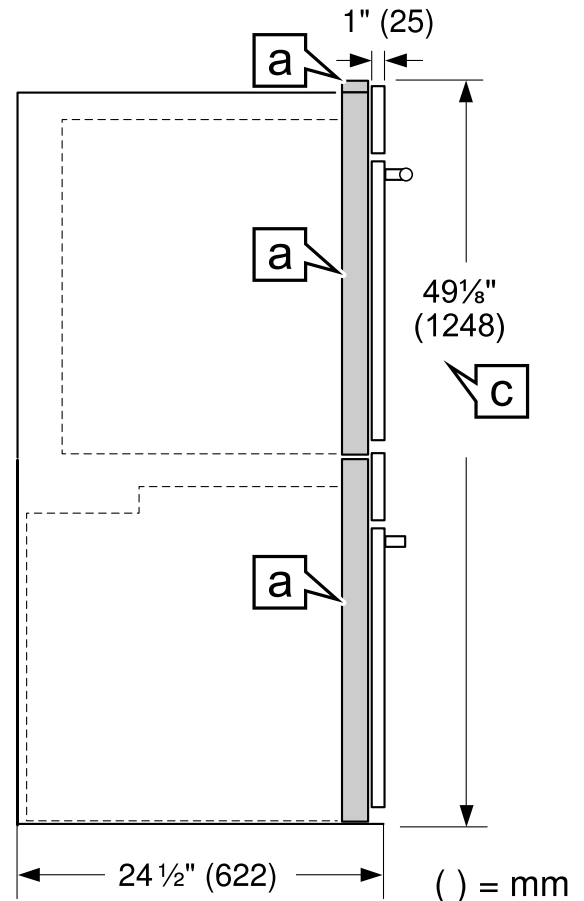
Une installation affleurée nécessite la fixation de deux taquets latéraux à l'intérieur du cadre de l'armoire, en retrait par l'avant.

### Vue de dessus



- |   |                                       |
|---|---------------------------------------|
| a | Bordure de cadre                      |
| b | Profondeur intérieure en affleurement |

### Vue latérale



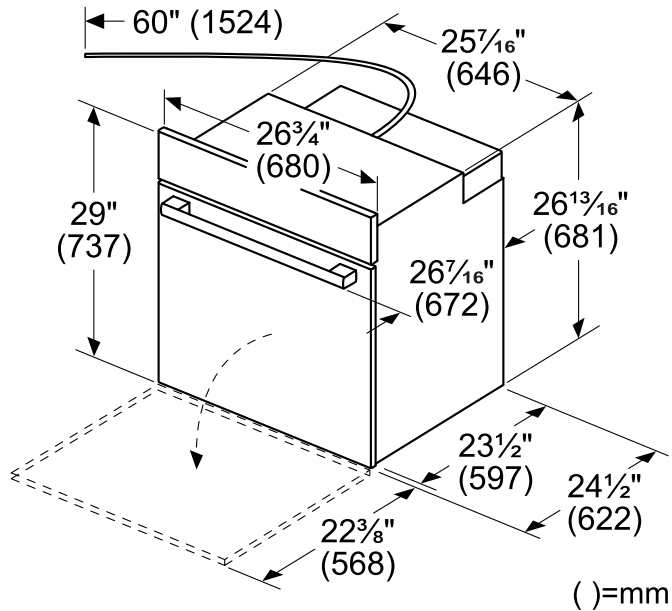
- |   |                  |
|---|------------------|
| a | Bordure de cadre |
|---|------------------|

c	Hauteur de découpe affleurante
---	--------------------------------

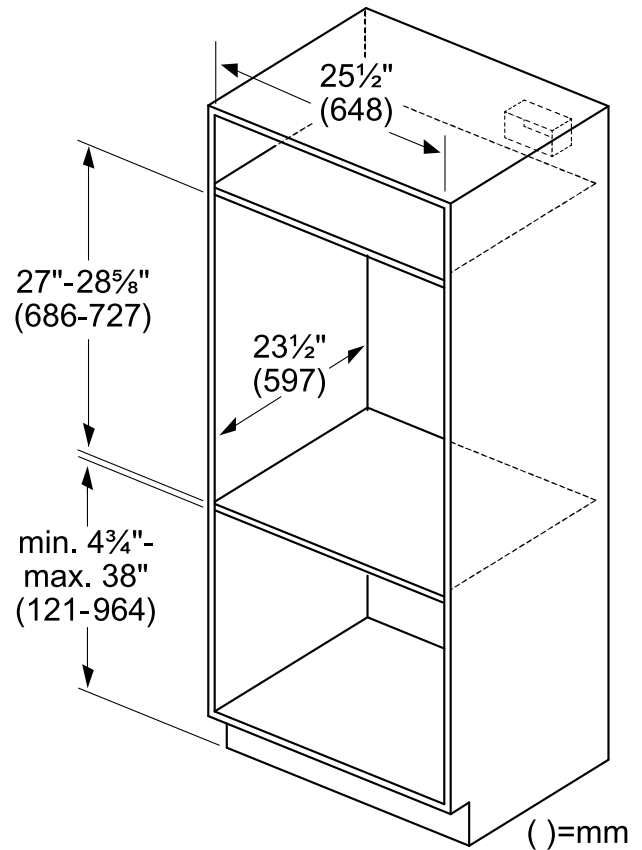
## 8 Dimensions du four simple de 27 po

Lisez ici les dimensions de l'appareil et de l'armoire pour les fours simples de 27 po.

### 8.1 Dimensions du four simple de 27 po



### 8.2 Installation traditionnelle d'un four simple de 27 po

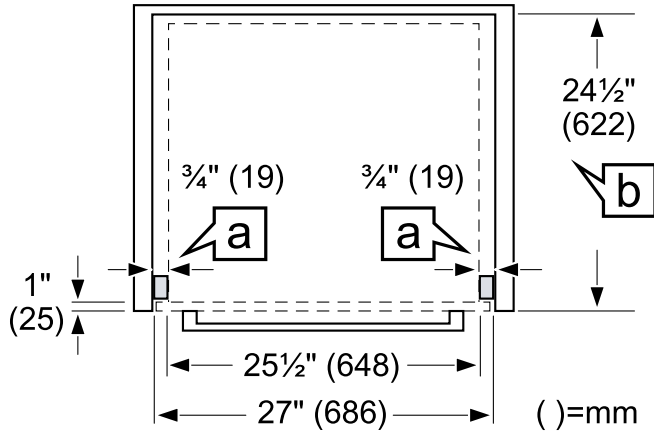


\* Emplacement de la boîte de jonction: au-dessus, à gauche ou à droite de l'unité à la portée du conduit flexible.  
Chevauchement du panneau de commande : min 3/8 po (10 mm) à max 2 po (51 mm).

### 8.3 Installation affleurante d'un four simple de 27 po

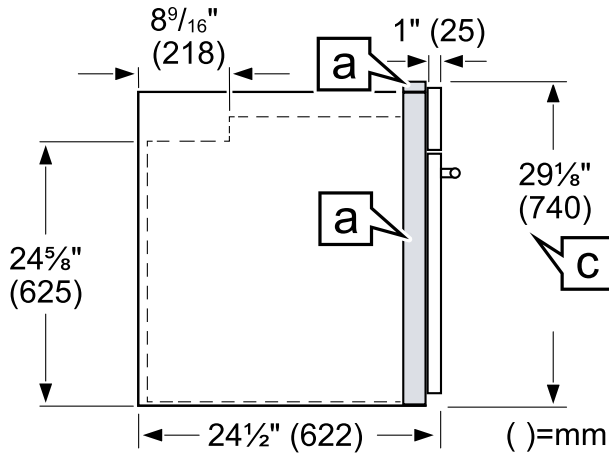
Une installation affleurée nécessite la fixation de deux taquets latéraux à l'intérieur du cadre de l'armoire, en retrait par l'avant.

#### Vue de dessus



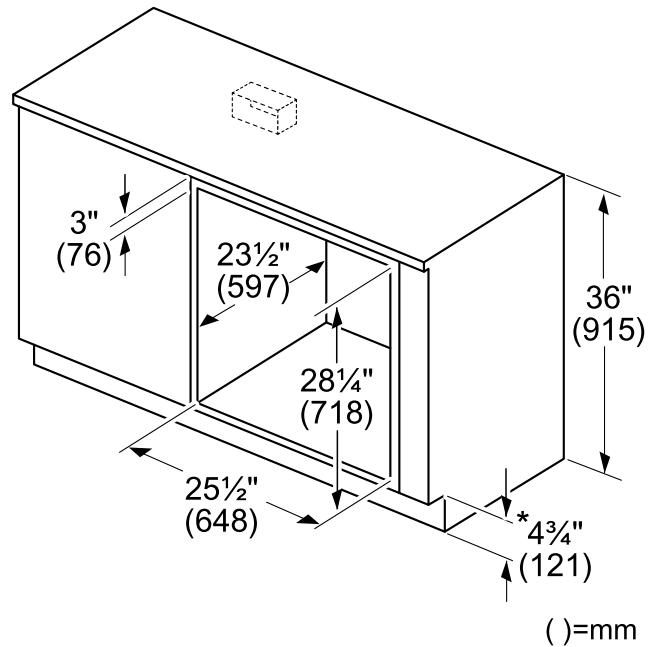
- a Bordure de cadre
- b Profondeur intérieure en affleurment

#### Vue latérale



- a Bordure de cadre
- c Hauteur de découpe affleurante

### 8.4 Installation sous le comptoir d'un four simple de 27 po



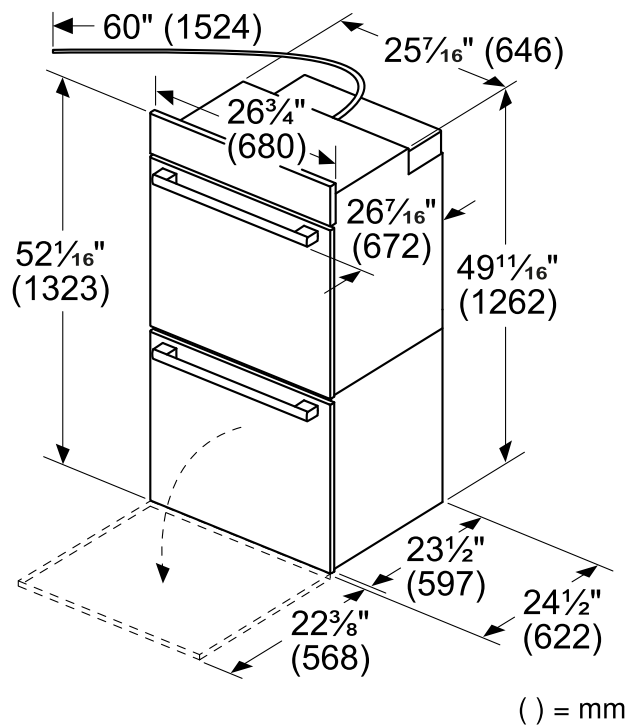
\* Comprend un socle de 3/4 po (19 mm).

\*\* Emplacement de la boîte de jonction : à gauche ou à droite de l'unité à la portée du conduit flexible.

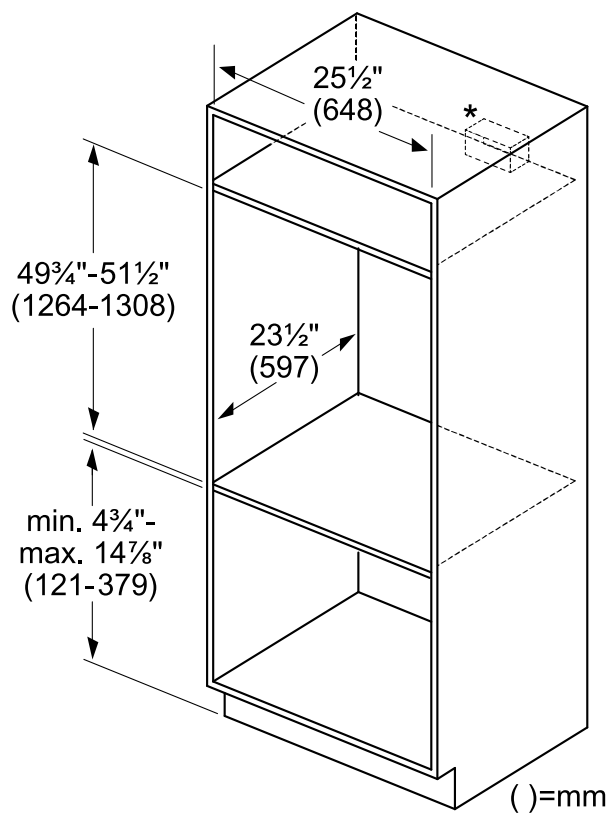
## 9 Dimensions du four double de 27 po

Lisez ici les dimensions de l'appareil et de l'armoire pour les fours doubles de 27 po.

### 9.1 Dimensions de l'appareil à four double de 27 po



### 9.2 Installation traditionnelle d'un four double de 27 po

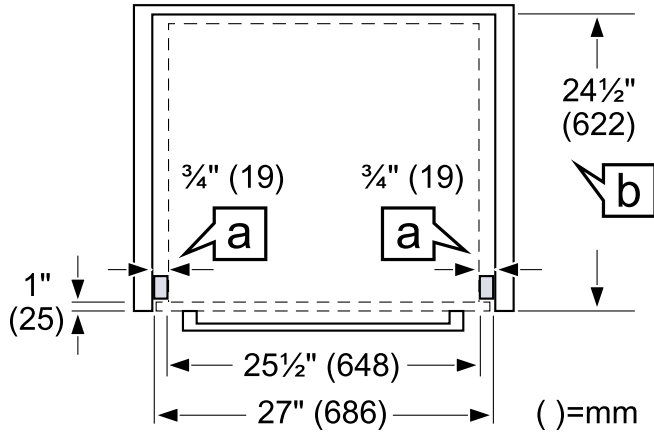


\* Emplacement de la boîte de jonction: au-dessus, à gauche ou à droite de l'unité à la portée du conduit flexible.  
Chevauchement du panneau de commande : min 3/8 po (10 mm) à max 2 po (51 mm).

### 9.3 Installation affleurante d'un four double de 27 po

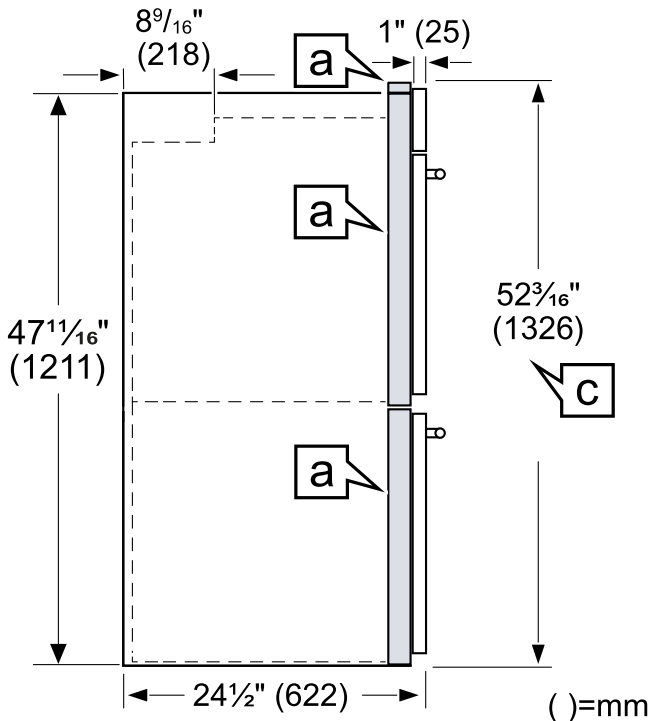
Une installation affleurée nécessite la fixation de deux taquets latéraux à l'intérieur du cadre de l'armoire, en retrait par l'avant.

#### Vue de dessus



- |   |                                      |
|---|--------------------------------------|
| a | Bordure de cadre                     |
| b | Profondeur intérieure en affleurment |

#### Vue latérale



- |   |                                |
|---|--------------------------------|
| a | Bordure de cadre               |
| c | Hauteur de découpe affleurante |

## 10 Avant l'installation

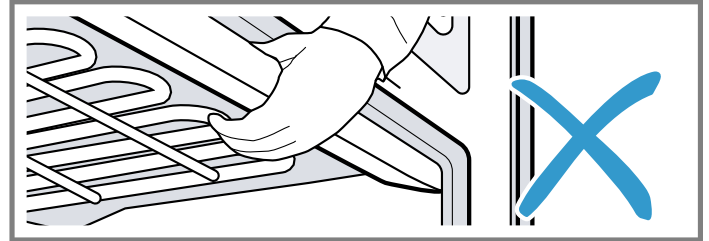
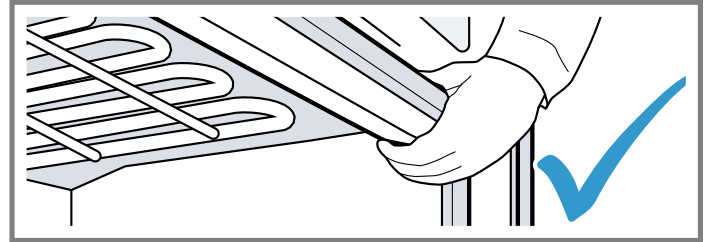
Effectuez ces étapes pour préparer votre appareil à l'installation.

### 10.1 Soulever l'appareil

Suivez ces recommandations pour éviter les blessures et les dommages à l'appareil pendant le levage.

#### ⚠ MISE EN GARDE

NE PAS essayer de soulever l'appareil en tenant l'élément chauffant supérieur du four.



- Retirez la porte du four à charnière inférieure avant l'installation pour accéder aux points de levage nécessaires et pour réduire considérablement le poids de l'unité. Pour les fours doubles avec portes à charnière inférieure, vous pouvez retirer les deux portes du four.  
→ "Retrait de la porte du four des fours conventionnels à charnière inférieure", Page 44
- Le four peut être difficile à manipuler par deux personnes pendant l'installation. Il est recommandé de faire intervenir trois personnes ou plus pour aider à soulever l'appareil afin de le mettre en place.
- Il existe un rebord en travers de la partie supérieure avant de la cavité du four. Soulevez en saisissant cette arête d'une main tout en plaçant l'autre main à l'arrière de l'appareil. Si une troisième personne soulève l'appareil par le devant, elle devra se servir des deux mains pour saisir l'appareil à l'endroit où se trouve ce rebord.  
→ "Points de levage", Page 40
- La méthode de levage recommandée dépend du type de porte du four.

#### Points de levage

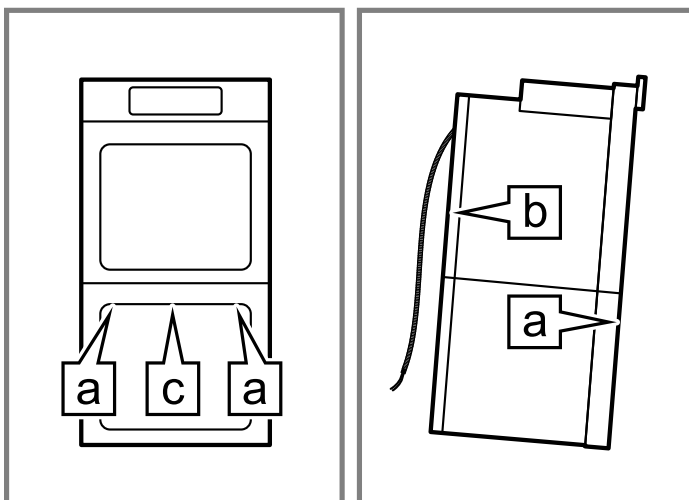
Les personnes soulevant l'appareil doivent se tenir de chaque côté du four, en utilisant les points de levage spécifiés dans le tableau et les illustrations. Une troisième personne aidant à soulever l'appareil doit se tenir devant le four, face à la cavité du four.

**Remarque :** Les points de levage sont illustrés avec la porte retirée pour la porte à charnière inférieure et la porte inférieure ouverte à 90 ° - 110 ° pour les portes à charnière latérale.

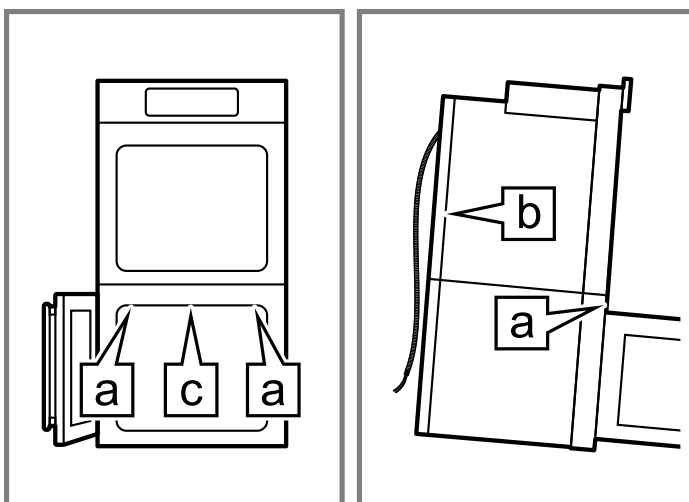


Points de levage	Description
a	Emplacement avant de la main pour les aides qui se soulèvent des côtés de l'unité
b	Emplacement arrière de la main pour les aides qui se soulèvent des côtés de l'unité
c	Emplacement pour une troisième personne pour aider à soulever l'unité

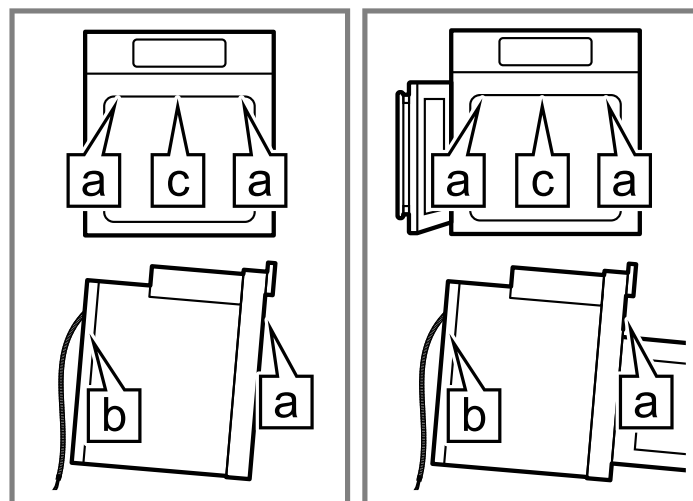
#### Fours doubles ou combinés avec porte à charnière inférieure



#### Fours doubles ou combinés avec porte à charnière latérale



#### Fours simples avec porte à charnière inférieure ou latérale



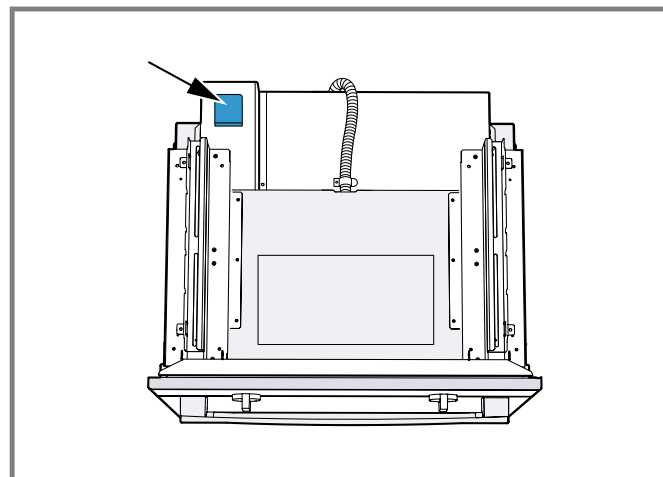
### 10.2 Connexion du four rapide ou du conduit du four à convection vapeur au four inférieur

Le câble d'alimentation de l'unité supérieure d'un four combiné doit être correctement fixé à la boîte de jonction montée sur le four inférieur.

#### ⚠ AVERTISSEMENT

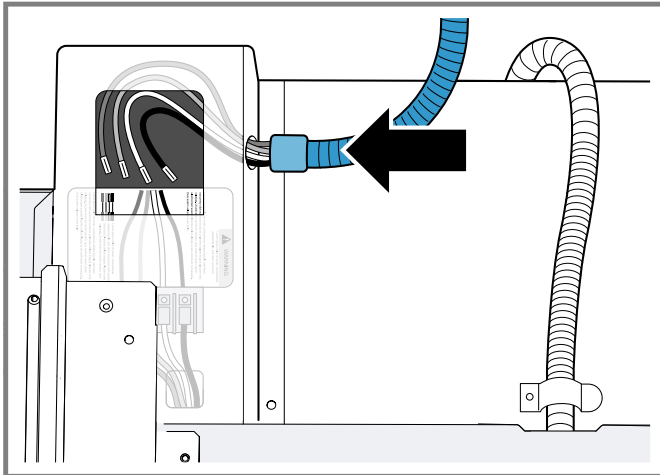
Vérifiez que le four n'est pas encore connecté à la prise de courant électrique lorsque vous connectez les unités supérieure et inférieure du four.

1. Enlevez le couvercle de la boîte de raccordement intégrée, située sur la partie supérieure du four, à l'arrière.

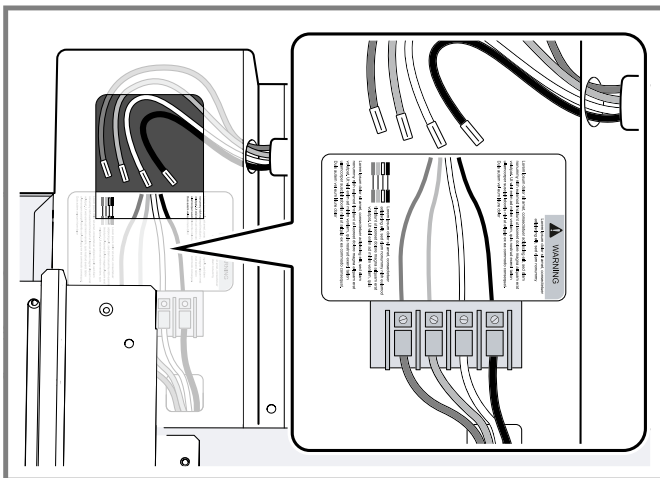


2. Enlevez le capuchon de l'orifice d'accès au conduit sur le côté de la boîte de raccordement intégrée au four.

3. Guidez les fils du câble de raccordement venant du four à micro-ondes à cuisson rapide ou du four à vapeur et à convection à travers le trou de la boîte de raccordement montée sur le four.



4. Enclenchez le raccord de conduit en position dans le trou en l'enfonçant.
5. Suivez l'étiquette du schéma de câblage; serrez fermement, mais ne serrez pas excessivement.
  - Faites correspondre et connectez chaque fil par couleur aux fils attachés au bloc de câblage à l'intérieur de la boîte de jonction montée au four.
  - Introduisez l'extrémité dénudée de chaque fil jusqu'à ce qu'elle soit bien insérée dans la borne, puis serrez la vis de fixation sur chaque fil.
  - Quatre fils proviennent du four à cuisson rapide.

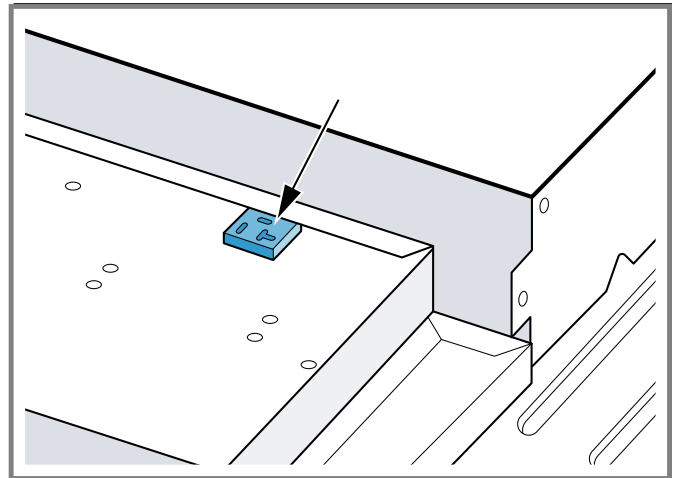


6. Remettez en place le couvercle de la boîte de raccordement intégrée au four et serrez les deux vis qui la maintiennent en place. Serrez solidement, mais sans trop serrer.

### 10.3 Connexion du micro-ondes au four inférieur

La fiche d'alimentation du four à micro-ondes supérieur d'un four combiné doit être branchée dans la prise du four inférieur.

1. Pour les modèles combinés à micro-ondes HBL57M52UC et HBL87M53UC et les modèles combinés à four rapide HBL8753UC : Branchez la fiche 120 V du micro-ondes dans la prise située en haut à l'arrière du four inférieur.



2. Pour le modèle de micro-ondes indépendant HMB50152UC ou le modèle de four rapide HMC80152UC : Connectez la fiche 120 V du micro-ondes à un circuit de four micro-ondes/four de 120 V dédié. Reportez-vous au manuel d'installation de l'appareil.

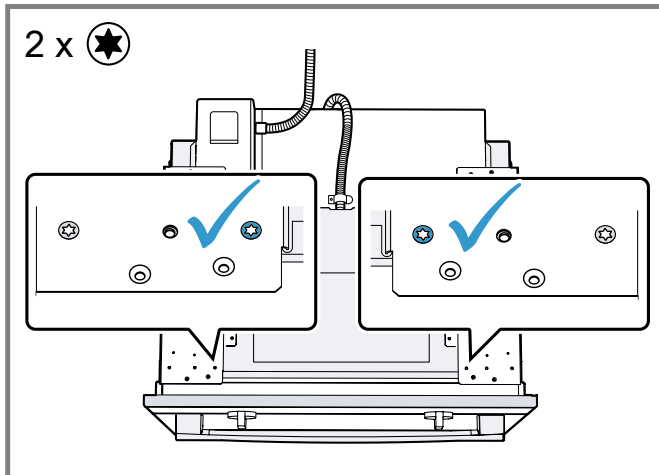
### 10.4 Assemblage des deux unités de four combinés

Fixez le four à micro-ondes, le four rapide ou le four à convection à vapeur sur le dessus du four inférieur, avant de placer le four dans l'armoire murale.

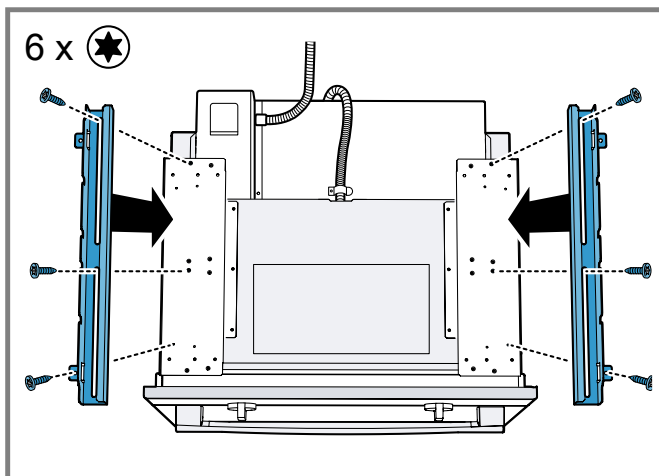
- Préparez les pièces d'installation requises.
  - "Pièces supplémentaires incluses pour les fours combinés", Page 29
- Les équerres de fixation universels sont interchangeables pour les côtés gauche et droit du four. Veillez à ce que le bord vertical le plus grand du support soit orienté vers l'extérieur du four.

### Fixation des supports de connexion pour un four à micro-ondes ou à vitesse rapide

1. Assurez-vous que les deux (2) vis les plus proches de l'avant du support sont en position intérieure et extérieure. Les vis sont dans cette position à la livraison.

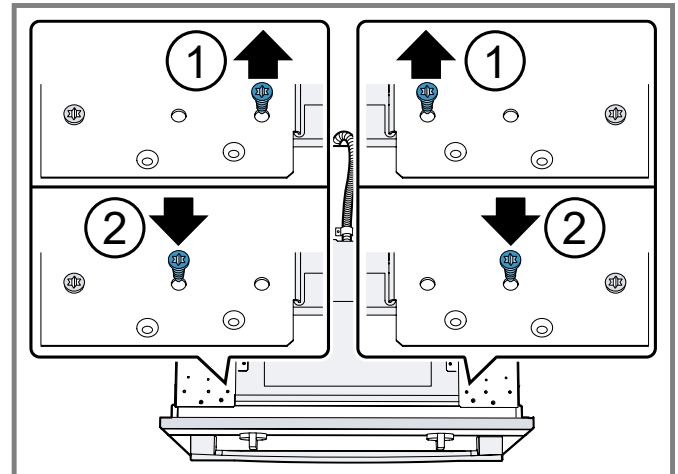


2. Installez les deux supports de connecteur universels sur le jeu extérieur de trous sur le dessus du four inférieur à l'aide de six (6) des vis fournies. Serrez solidement la vis, mais sans trop la serrer.

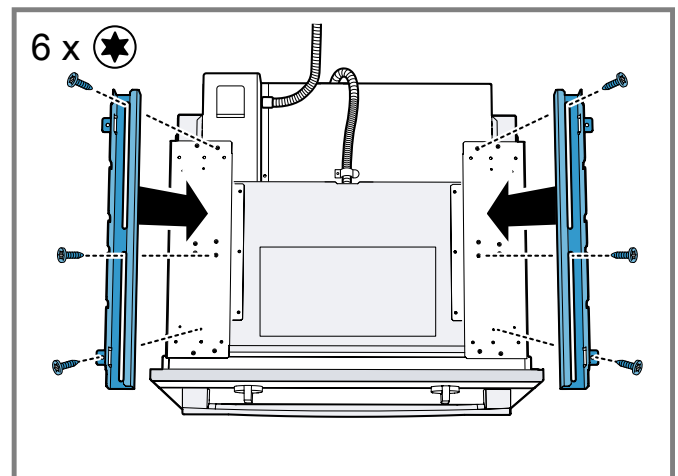


### Fixation des supports de connexion pour un four à convection à vapeur

1. Assurez-vous que les deux (2) vis les plus proches de l'avant du support sont sur les deux positions les plus extérieures.

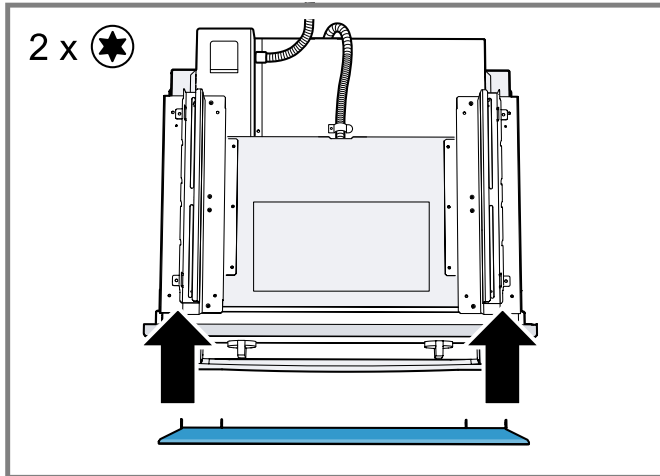


2. Utilisez un tournevis à embout en étoile T-20 pour installer les deux supports de connecteur universel sur le jeu intérieur de trous sur le dessus du four inférieur à l'aide de six (6) des vis fournies. Serrez solidement la vis, mais sans trop la serrer.

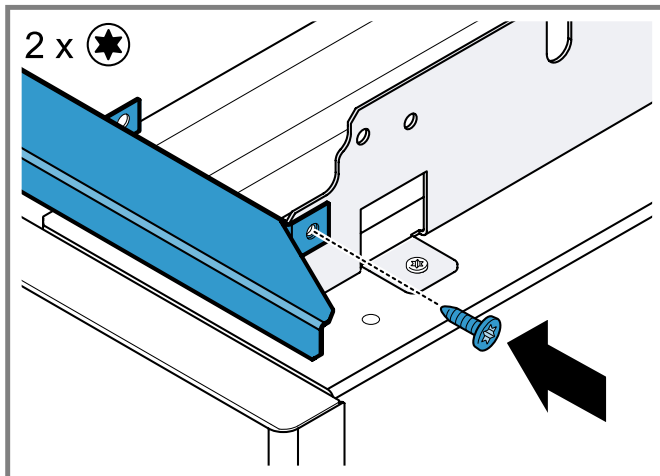


### Installation de la garniture décorative

1. Positionnez la garniture décorative de sorte que les brides avec les trous soient orientés vers l'arrière du four.

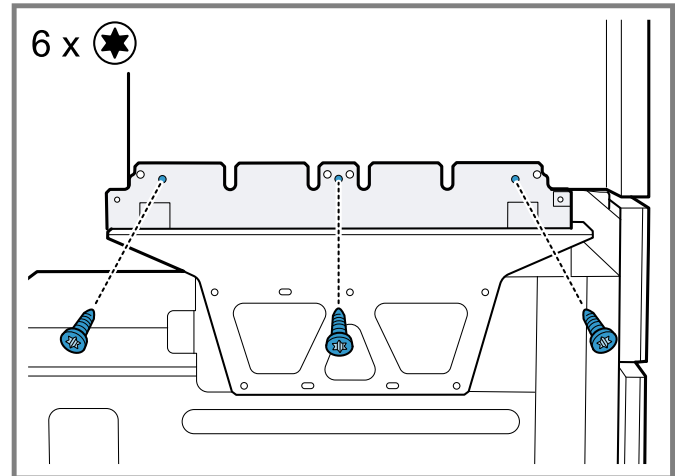


2. Alignez les brides extérieures avec l'extérieur des supports universels. Fixez avec une (1) vis chacune dans le trou d'extrémité de chaque support universel. Serrez bien les vis, mais ne serrez pas trop.



### Fixation de l'unité supérieure sur le dessus du four inférieur

- Placez le four à convection à vapeur, à vitesse rapide ou à micro-ondes au-dessus des supports de connecteur universel et fixez-le à l'aide de trois (3) vis de chaque côté. Serrez bien les vis, mais ne serrez pas trop.



Les vis existantes dans la base de l'unité supérieure aident à l'alignement. Lorsque vous abaissez l'unité supérieure en place sur les supports de connecteur universels, laissez ces têtes de vis glisser dans les fentes. La vis la plus proche de l'avant de l'unité supérieure doit glisser dans la base de la pente à l'avant du support.

### 10.5 Retrait de la porte du four des fours conventionnels à charnière inférieure

Il est recommandé de retirer la porte de la charnière inférieure des fours conventionnels pour réduire le poids de l'appareil et faciliter sa manipulation et son installation. Pour les fours doubles avec portes à charnière inférieure, vous pouvez retirer les deux portes du four. Les portes latérales à charnière ne peuvent pas être retirées.

#### ⚠ MISE EN GARDE

N'essayez pas de retirer la porte du four à vitesse, à vapeur ou à micro-ondes. Cela pourrait endommager l'appareil et entraîner un dysfonctionnement ultérieurement.

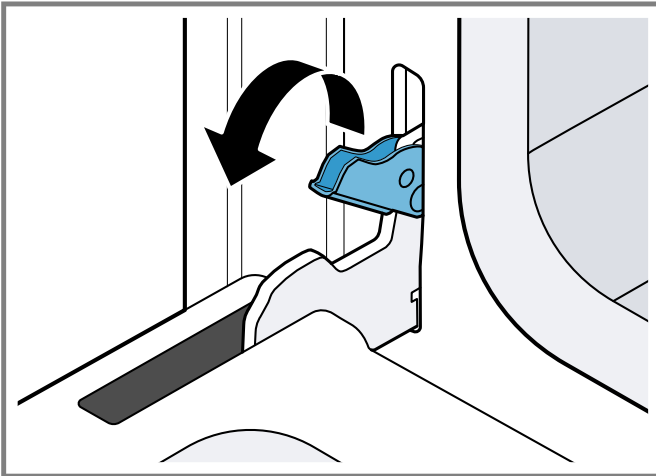
#### ⚠ AVERTISSEMENT

Le non-respect de ces instructions lors du retrait de la porte du four peut entraîner des blessures ou endommager le produit.

- Avant de démonter la porte, s'assurer que le four soit froid et que le courant qui l'alimente a été coupé. Le non-respect de cette précaution pourrait entraîner un choc électrique ou des brûlures.
- La porte du four est lourde et certaines parties sont fragiles. Utilisez les deux mains pour retirer la porte du four.
- Le devant de la porte est en verre. Manipulez-la avec précaution pour éviter des cassures.
- Saisir uniquement les côtés de la porte. Ne saisissez pas la poignée. Il peut osciller dans votre main et provoquer des dommages ou des blessures. Si la porte du four n'est pas saisie fermement et correctement, il y a un risque de blessure ou de dommage à l'appareil.

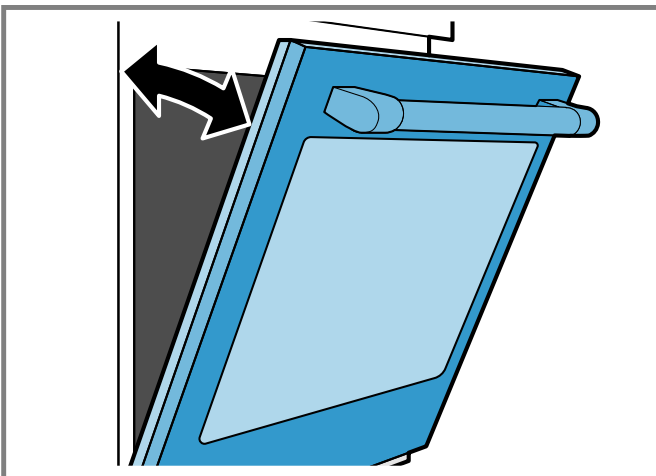
- ▶ Pour éviter toute blessure causée par l'enclenchement soudain du support de charnière, s'assurer que les deux leviers sont bien enclenchés avant d'enlever la porte.
- ▶ Ne forcez pas la porte pour l'ouvrir ou la fermer. La charnière pourrait être endommagée et provoquer des dommages ou des blessures.
- ▶ Ne pas déposer la porte sur des objets acérés ou pointus, car ils risquent de briser la vitre. Posez-la sur une surface plane et lisse, positionnée de manière à ce que la porte ne puisse pas tomber.

1. Ouvrez la porte du four dans sa position complètement ouverte.
2. Basculez les leviers des charnières vers vous.



Si nécessaire, utilisez un outil, tel qu'un tournevis, pour retirer délicatement la partie supérieure du levier du boîtier. Veillez à ne pas rayer le boîtier.

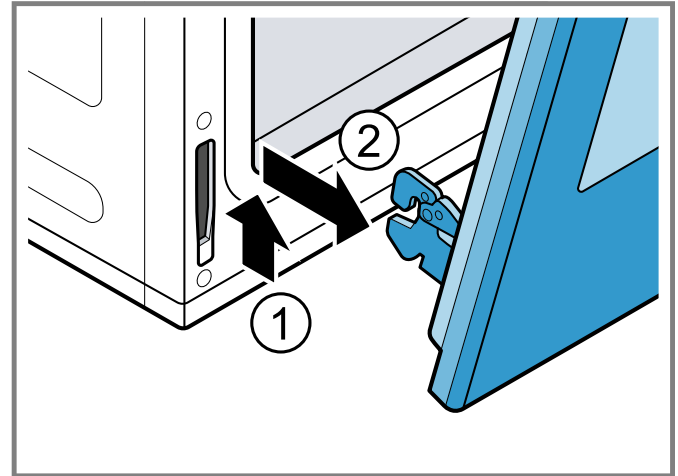
3. Amenez les deux leviers de charnière de porte à leur position la plus basse. Les charnières gauche et droite de la porte diffèrent légèrement, mais fonctionnent de la même manière.
4. **⚠ MISE EN GARDE** Suivez les instructions ci-dessous pour empêcher le loquet de se refermer et de pincer ou de vous couper la main.  
Fermer la porte du four jusqu'à ce qu'elle s'accroche sur les leviers d'arrêt des charnières, verrouillant ainsi les charnières au bon angle pour le démontage de la porte.



- ✓ La porte sera ouverte d'environ 7 po (18 cm) en haut.

5. **⚠ MISE EN GARDE** La porte est lourde.
  - ▶ Ne saisissez pas la porte par la poignée.
  - ▶ Utilisez les deux mains pour le saisir fermement par les côtés.

En maintenant l'angle de la porte, soulevez la porte vers le haut d'environ 3/4 po (2 cm) pour décrocher les charnières des fentes, puis tirez-la vers vous jusqu'à ce que les charnières soient dégagées du boîtier du four.



6. Placez la porte dans un endroit pratique et stable. Ne posez pas la porte sur sa poignée. Cela pourrait provoquer des bosses ou des rayures.

## 11 Installation des fours dans l'armoire

Suivez ces instructions pour installer votre appareil dans l'armoire.

### ⚠ MISE EN GARDE

Il est recommandé de porter des vêtements de protection pendant le processus de levage.

- ▶ Portez des gants et des manches longues pour protéger les mains et les avant-bras de l'abrasion et des rayures potentielles.
- ▶ Enlevez montres et bijoux.
- ▶ Portez des chaussures de travail pour protéger vos pieds.

### ⚠ MISE EN GARDE

NE PAS essayer de soulever l'appareil en tenant l'élément chauffant supérieur du four.

Trois personnes, ou l'équipement approprié, sont requis pour soulever de façon sécuritaire le four combiné dans l'ouverture de l'armoire.

### Exigence

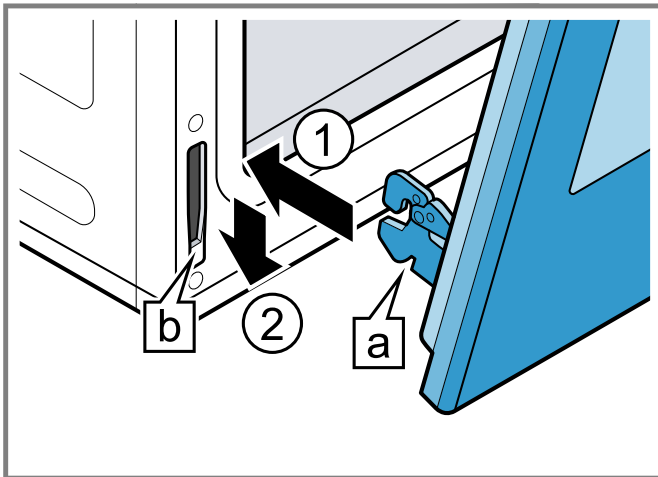
- Vous avez vérifié les dimensions de l'armoire et les connexions électriques.
- Vous avez retiré la porte du four.  
→ "Retrait de la porte du four des fours conventionnels à charnière inférieure", Page 44
- Vous avez lu les recommandations de levage  
→ Page 40.

1. Positionnez l'unité sur sa base d'emballage près de et devant l'ouverture de l'armoire.

2. Soulevez ou faites glisser l'unité dans la découpe de l'armoire. Ne laissez pas la base de l'unité entrer en contact avec le sol.
3. Glissez l'appareil directement vers l'arrière dans la découpe de l'armoire. Poussez l'appareil tout droit jusqu'à ce que la garniture du four soit à 2 po (5 cm) avant d'affleurer avec la paroi de l'armoire.
4. Vérifiez que le câble du conduit électrique n'est pas serti entre le four et la paroi arrière de l'armoire. Si nécessaire, guidez le câble du conduit électrique dans la paroi du trou d'accès à l'armoire afin qu'il n'empêche pas l'unité d'être poussée à fond dans l'ouverture de l'armoire.
5. Vérifiez que le four est droit et de niveau.
6. Encastrez l'appareil jusqu'au fond de la découpe de l'armoire. L'avant de l'appareil doit affleurer avec la façade de l'armoire.
7. Installez les vis fournies dans les trous de robinetterie de la garniture.  
Reportez-vous à la notice d'installation de la vis ci-jointe.

### 11.1 Réinstallation de la porte du four

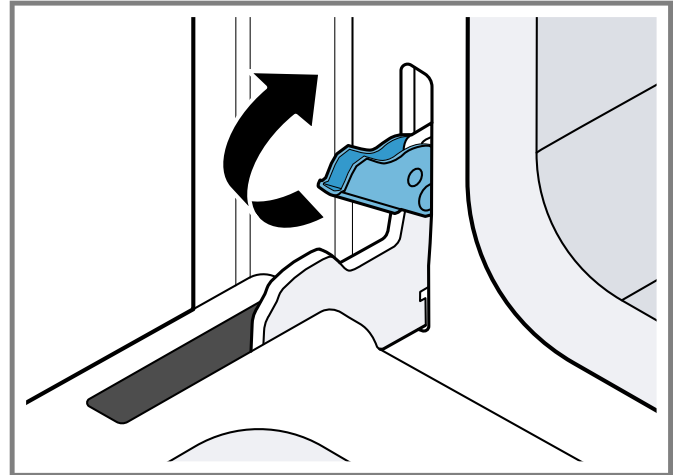
1. Maintenir fermement la porte des deux mains. Saisissez-le de chaque côté, pas par la poignée.
2. Inclinez légèrement la porte vers vous à un angle qui ouvrirait la porte d'environ 7 po (18 cm) en haut.
3. Faites glisser les charnières **a** dans les fentes **b** aussi loin que possible **1** et abaissez la porte vers le bas **2**.



L'angle de la porte peut nécessiter un léger ajustement pour permettre d'engager les charnières convenablement et d'abaisser la porte en place. La porte devrait s'abaisser d'environ  $\frac{3}{4}$  po (2 cm) et s'arrêter. Si ce n'est pas le cas, les charnières ne se sont pas engagées correctement et la porte pourrait tomber si elle était libérée.

4. Une fois les deux charnières complètement engagées, ouvrez doucement la porte jusqu'à ce qu'elle soit complètement ouverte.

5. Poussez les loquets à levier sur les deux charnières vers le haut et l'avant, jusqu'à ce qu'ils s'enclenchent dans logements, affleurant à l'avant du four.

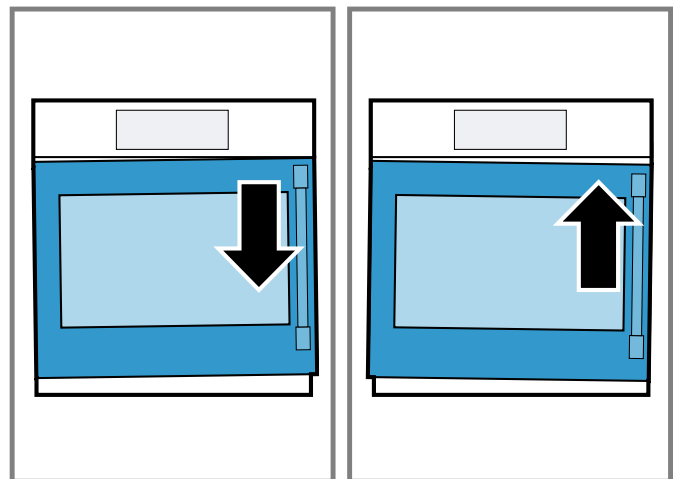


6. Fermer et ouvrir la porte lentement pour s'assurer qu'elle est correctement et solidement installée.

### 11.2 Réglage de l'alignement des portes pour les portes à charnières latérales

Lorsque l'unité est complètement installée dans l'armoire, vous pouvez ajuster l'alignement des portes latérales du four à charnière.

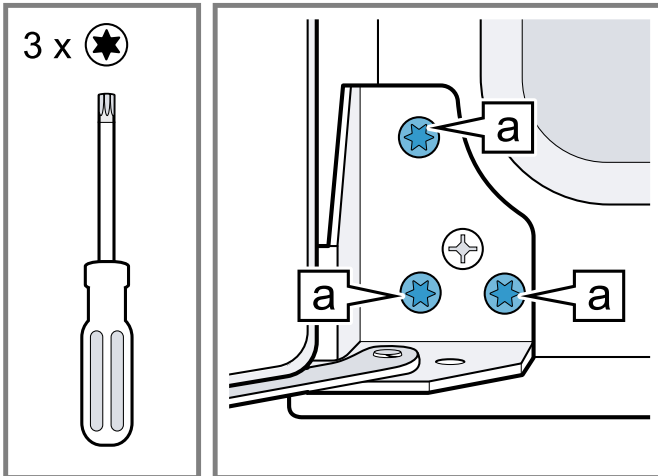
1. Vérifiez si les portes du four sont correctement alignées.



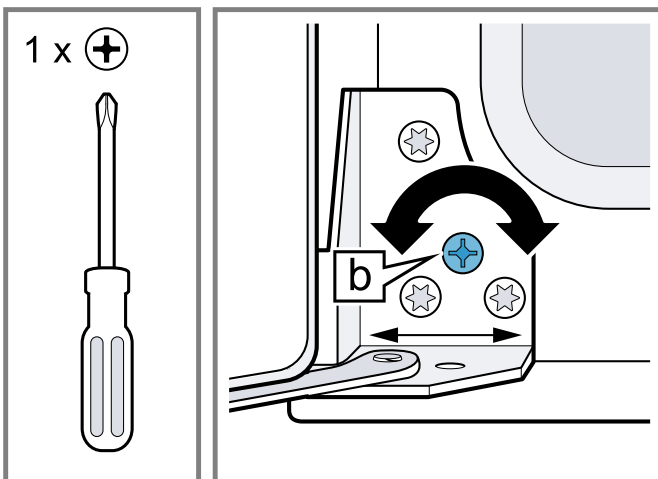
- Examinez l'espace entre le haut de la porte fermée du four et le panneau de commande. Pour les fours doubles, examinez également l'espace entre le haut de la porte du four inférieure fermée et la porte du four supérieur. Il doit être assez uniforme d'un côté à l'autre.
  - La porte doit se fermer d'elle-même sans heurt lorsque l'ergot s'emboîte avec le rouleau à la fermeture de la porte.
  - Si vous sentez une interférence entre l'attaquant et le récepteur de capture, la porte est trop haute. La porte doit descendre du côté du loquet.
  - Si vous sentez une bosse lorsque le percuteur entre en contact avec le rouleau de réalignement, la porte est trop basse. La porte doit monter du côté du loquet.
2. Ouvrir la porte à environ 135 degrés.

3. **Remarque** : Tous les réglages peuvent être effectués avec la charnière inférieure uniquement. La charnière supérieure est fixe et ne peut pas être réglée.

Utilisez un tournevis à embout en étoile T-20 pour desserrer les trois (3) vis **a** de la charnière inférieure d'un à deux tours complets.



4. Utilisez un tournevis cruciforme pour tourner la came **b** à droite ou à gauche pour régler la position de la charnière dans la direction souhaitée.



**Remarque** : un déplacement (gauche ou droit) de 1 mm de la charnière haussera ou abaissera la porte d'environ 1,5 mm au niveau du pêne.

5. Resserrez les vis, puis fermez la porte pour tester. Faire attention de ne pas trop serrer les vis.
6. Vérifier le bon alignement de la porte. Répéter la procédure de réglage au besoin.



## 12 Raccordement électrique

Lisez ces instructions pour connecter votre appareil en toute sécurité à l'alimentation électrique.

### 12.1 Exigences électriques

Assurez-vous que votre installation électrique prend en charge les exigences suivantes. Cet appareil doit être alimenté avec la tension et la fréquence appropriées et connecté à un circuit de dérivation individuel correctement mis à la terre, protégé par un disjoncteur ou un fusible. Pour connaître le disjoncteur ou le fusible requis par votre modèle, consultez la plaque signalétique pour trouver la

consommation de puissance et reportez-vous au tableau des valeurs nominales pour obtenir l'ampérage du disjoncteur ou du fusible. Tous les modèles de four sur le capot avant de celui-ci manuel d'installation sont à double nominale, conçus pour être connectés à une alimentation électrique monophasée de 208 V ou 240 V CA, 60 Hz, 4 fils.

Modèle	Circuit requis	Watts @ 240 V	Circuit requis	Watts @ 208 V
HBL5351UC, HBL5344UC	30 A	6300	30 A	4 800
HBL5451UC, HBN8451UC, HBL8454UC, HBL8453UC, HBL8443UC, HBL8444LUC, HBL8444RUC, HBLP454UC, HBLP451UC, HBLP451LUC, HBLP451RUC	30 A	6400	30 A	4800
HBL5551UC	40 A	6000	30 A	4500
HBL5651UC, HBL8651UC, HBL8642UC	40 A	8500	40 A	6500
HBL57M52UC, HBL87M53UC	40 A	8000	40 A	6500
HBL5754UC, HBL8753UC, HBL8743UC, HBLP752UC	40 A	9600	40 A	8400
HBN8654UC	40 A	8600	40 A	6600
HBLP651UC, HBLP651LUC, HBLP651RUC	40 A	9200	40 A	7000
HSLP751UC	40 A	8400	40 A	6400

### 12.2 Emplacement de la prise de courant

Avant d'installer l'appareil, vérifiez l'emplacement de la prise de courant.

- Si l'alimentation électrique est située dans l'ouverture de l'armoire, la connexion électrique doit être effectuée avant de placer le four dans l'ouverture.
- Si l'alimentation électrique se trouve dans une armoire adjacente, une connexion électrique peut être effectuée après avoir placé le four dans l'ouverture.

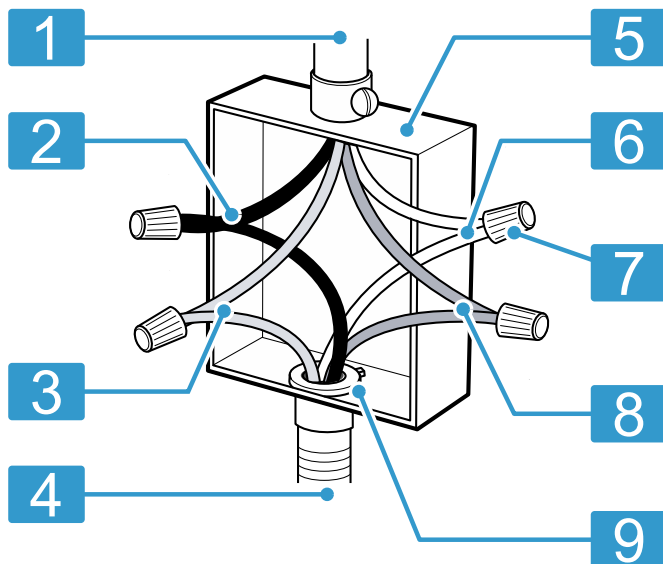
### 12.3 Acheminement du câble de conduit électrique

#### Exigence

- Un trou dans l'armoire a été préparé pour acheminer le conduit électrique du four à la boîte de jonction.
- La facilité d'entretien doit être maintenue. Ne raccourcissez pas le câble du conduit électrique. Acheminez le câble du conduit électrique de manière à permettre le retrait temporaire du four.
- ▶ Le câble du conduit électrique pivote là où il est connecté au four. Faites pivoter le câble du conduit électrique vers le haut ou vers le bas et dirigez-le à travers le trou préparé dans l'armoire.

## 12.4 Installation d'une connexion à quatre fils

1. **IMPORTANT** : Utilisez le câble à quatre fils de l'alimentation domestique aux États-Unis où les codes locaux ne permettent pas la mise à la terre par le biais d'installations de circuit neutres et neuves (NEC 1996), de maisons mobiles et de véhicules de loisirs, de nouvelles constructions et au Canada.

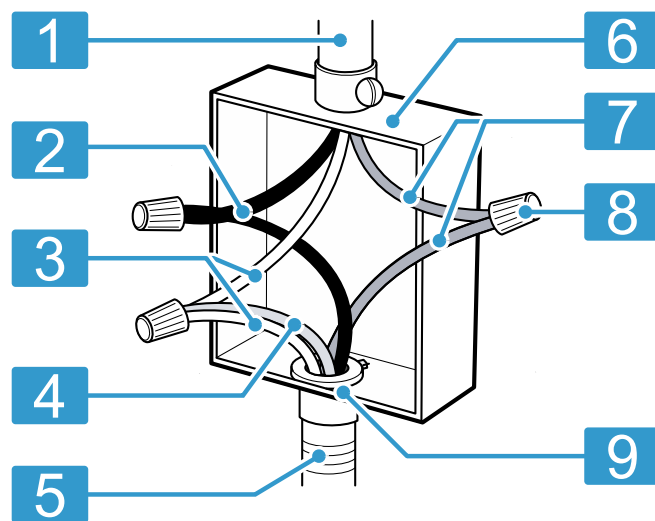


- |   |  |
|---|--|
| 1 | Câble d'alimentation électrique domestique         |
| 2 | Fils noirs   |
| 3 | Fils rouges  |
| 4 | conduit flexible à 4 fils du four                  |
| 5 | Boîte de jonction homologuée UL ou approuvée CSA   |
| 6 | Fils blancs  |
| 7 | Connecteurs pour fils homologués UL                |
| 8 | Fil de terre vert (ou dénudé)                      |
| 9 | Connecteur de conduit homologué UL ou approuvé CSA |

2. Branchez le fil de four rouge dans le fil d'alimentation électrique rouge (fil sous tension).
3. Branchez le fil de four noir sur le fil d'alimentation électrique (fil sous tension).
4. Raccordez le fil neutre blanc du four au fil d'alimentation électrique neutre blanc (pas au fil de mise à la terre dénudé ou vert).
5. Raccordez le fil de mise à la terre vert du four au fil de mise à la terre dénudé ou vert de l'alimentation électrique.

## 12.5 Installation d'une connexion à trois fils

1. **IMPORTANT** : utilisez le câble à trois fils de l'alimentation domestique seulement où les codes locaux autorisent une connexion à trois fils.



- |   |  |
|---|--|
| 1 | Câble d'alimentation électrique domestique         |
| 2 | Fils noirs   |
| 3 | Fils blancs  |
| 4 | Fil de terre vert (ou dénudé) (du four)            |
| 5 | conduit flexible à 4 fils du four                  |
| 6 | Boîte de jonction homologuée UL ou approuvée CSA   |
| 7 | Fils rouges  |
| 8 | Connecteurs pour fils homologués UL                |
| 9 | Connecteur de conduit homologué UL ou approuvé CSA |

2. Connectez le fil rouge du four au fil rouge dans la boîte de jonction.
3. Connectez le fil noir du four au fil noir dans la boîte de jonction.
4. Connectez le fil de terre vert et le fil blanc du four au fil neutre blanc, vert ou dénudé dans la boîte de jonction.

## 13 Opération d'essai

Vérifiez si votre appareil fonctionne correctement après avoir terminé les étapes d'installation.

1. Mettez sous tension au disjoncteur.
2. Pour tester le four, sélectionnez le mode **Bake**. Reportez-vous au manuel d'utilisation pour obtenir des instructions d'utilisation détaillées.
3. Vérifiez que l'éclairage du four s'allume et que le four se met à préchauffer.

4. Pour tester le verrouillage de la porte, sélectionnez le mode **Self Clean**. Confirmez que la porte se verrouille lorsque l'icône de verrouillage s'affiche à l'écran.

## 14 Service à la clientèle

Contactez notre service à la clientèle si vous avez des questions, si vous n'arrivez pas à corriger un défaut de l'appareil ou si ce dernier doit être réparé.

Lors de toute réparation réalisée dans le cadre de la garantie, nous nous assurons que votre appareil est réparé avec des pièces de rechange d'origine par un technicien dûment formé et agréé. Nous utilisons exclusivement des pièces de rechange d'origine lors des réparations.

Pour plus d'informations sur la durée et les conditions de la garantie dans votre pays, consultez nos modalités de garantie auprès de votre détaillant ou sur notre site Web. Si vous contactez le service à la clientèle, indiquez le numéro de modèle (E-Nr.) et le numéro de fabrication (FD) de l'appareil.

Ce produit contient des sources de lumière de la classe d'efficacité énergétique G. La source de lumière est disponible en tant que pièce de rechange et doit être remplacée uniquement par du personnel qualifié.

USA:

1-800-944-2904

[www.bosch-home.com/us/owner-support/get-support](http://www.bosch-home.com/us/owner-support/get-support)

[www.bosch-home.com/us/shop](http://www.bosch-home.com/us/shop)

CA:

1-800-944-2904

[www.bosch-home.ca/en/service/get-support](http://www.bosch-home.ca/en/service/get-support)

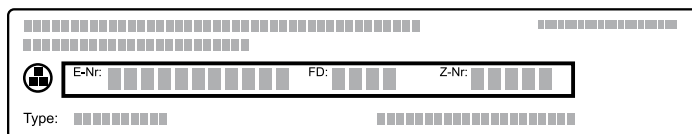
[www.bosch-home.ca/en/service/cleaners-and-accessories](http://www.bosch-home.ca/en/service/cleaners-and-accessories)

Vous trouverez également de l'aide pour contacter Home Connect™ à l'adresse suivante :

[www.home-connect.com/us/en/help-support/set-up](http://www.home-connect.com/us/en/help-support/set-up)

### 14.1 Numéro de modèle (E-Nr.) et numéro de fabrication (FD)

Le numéro de modèle (E-Nr.) et le numéro de fabrication (FD) sont indiqués sur la plaque signalétique de l'appareil.



Pour retrouver rapidement les données de votre appareil et le numéro de téléphone du service à la clientèle, n'hésitez pas à les recopier ailleurs.

### 14.2 Emplacement de la plaque signalétique

Vous trouverez la plaque signalétique de votre appareil :

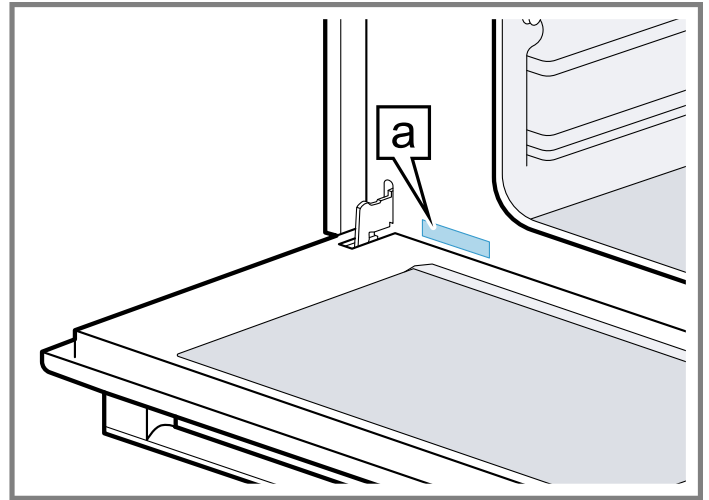
**a** Plaque signalétique

#### Plaque signalétique de micro-ondes et four rapide

La plaque signalétique est située à l'intérieur de la porte de l'appareil.

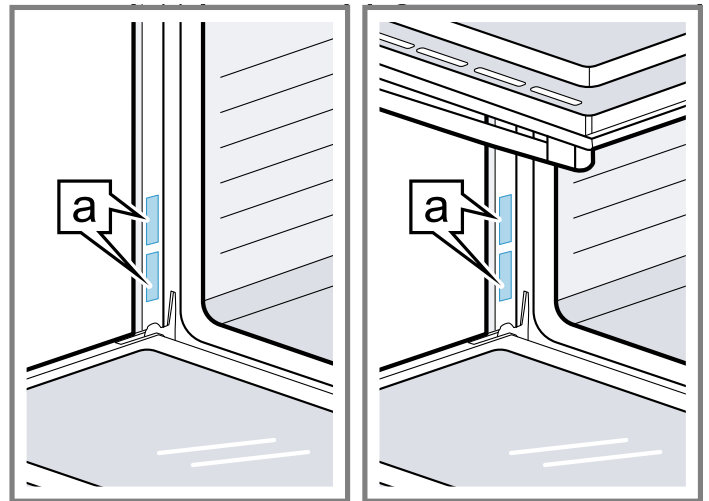
#### Plaque signalétique du four à convection vapeur

La plaque signalétique est située sur le côté gauche de la garniture de porte.



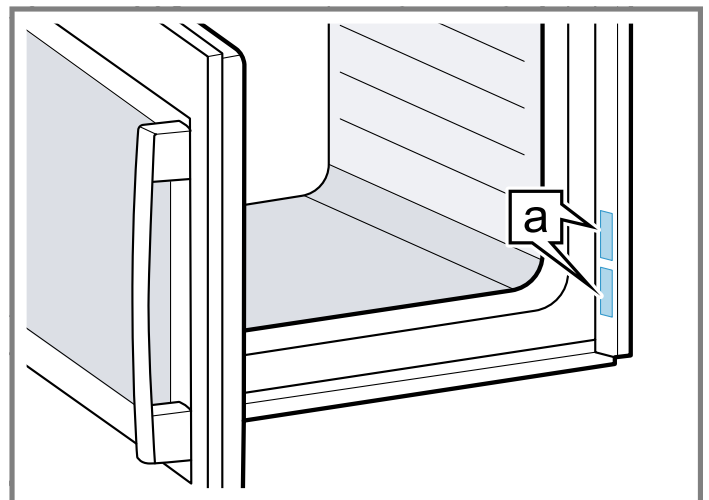
#### Plaque signalétique pour four simple et double

La plaque signalétique est située sur le côté gauche de la garniture de porte.



#### Plaque signalétique de charnière latérale pour four unique

La plaque signalétique est située sur le côté de la garniture de porte en face des charnières.



## Tabla de contenidos

<b>1 INSTRUCCIONES DE SEGURIDAD IMPORTANTES.....</b>	<b>52</b>	10.3 Conexión del microondas al horno inferior .....	67
1.1 Definiciones de seguridad .....	52	10.4 Ensamblaje de las dos unidades del horno de combinación .....	68
1.2 Información general .....	52	10.5 Extracción de la puerta del horno (en modelos convencionales con bisagra inferior) .....	69
1.3 Instrucciones generales de seguridad .....	52	<b>11 Instalación de los hornos en el gabinete .....</b>	<b>71</b>
1.4 Seguridad de manejo del aparato .....	52	11.1 Reinstalación de la puerta del horno .....	71
1.5 Códigos y normas de seguridad.....	53	11.2 Ajuste de la alineación de la puerta (en puertas con bisagra lateral) .....	72
1.6 Seguridad eléctrica .....	53	<b>12 Conexión eléctrica.....</b>	<b>73</b>
1.7 Advertencias en virtud de la Proposición 65 del estado de California .....	54	12.1 Requisitos eléctricos .....	73
1.8 Transporte .....	54	12.2 Ubicación de la toma de corriente.....	73
<b>2 Antes de empezar .....</b>	<b>55</b>	12.3 Enrutado del tubo pasacables eléctrico .....	73
2.1 Acerca del funcionamiento del horno combinado .....	55	12.4 Instalación de una conexión de cuatro cables.....	74
2.2 Instalaciones combinadas .....	55	12.5 Instalación de una conexión de tres cables.....	74
2.3 Partes incluidas.....	55	<b>13 Comprobación del funcionamiento .....</b>	<b>74</b>
2.4 Herramientas y partes necesarias.....	55	<b>14 Servicio de atención al cliente.....</b>	<b>75</b>
2.5 Requisitos de potencia y de conexión a tierra .....	55	14.1 Número de modelo (E-Nr.) y número de fabricación (FD) .....	75
<b>3 Eliminación del embalaje .....</b>	<b>55</b>	14.2 Ubicación de la placa de características del aparato .....	75
3.1 Eliminación del embalaje de hornos individuales y dobles integrados.....	55		
3.2 Eliminación del embalaje de hornos de combinación.....	56		
<b>4 Requisitos de instalación.....</b>	<b>56</b>		
4.1 Peso del aparato.....	56		
4.2 Requisitos de ubicación .....	56		
<b>5 Medidas para hornos individuales de 30".....</b>	<b>57</b>		
5.1 Dimensiones del aparato: horno individual de 30" ....	57		
5.2 Horno individual de 30": instalación tradicional .....	57		
5.3 Horno individual de 30": instalación enrasada.....	58		
5.4 Horno individual de 30": instalación bajo cubierta ....	59		
<b>6 Medidas para el horno doble de 30".....</b>	<b>59</b>		
6.1 Dimensiones de aparato: horno doble de 30".....	59		
6.2 Horno doble de 30": instalación tradicional.....	60		
6.3 Horno doble de 30": instalación enrasada .....	60		
<b>7 Medidas para hornos de combinación de 30" .....</b>	<b>61</b>		
7.1 Dimensiones de aparato: horno de combinación de 30" .....	61		
7.2 Horno de combinación de 30": instalación tradicional .....	62		
7.3 Horno de combinación de 30": instalación enrasada.....	62		
<b>8 Medidas para hornos individuales de 27".....</b>	<b>63</b>		
8.1 Dimensiones del aparato: horno individual de 27" ....	63		
8.2 Horno individual de 27": instalación tradicional .....	63		
8.3 Horno individual de 27": instalación enrasada.....	63		
8.4 Horno individual de 27": instalación bajo cubierta ....	64		
<b>9 Medidas para el horno doble de 27".....</b>	<b>64</b>		
9.1 Dimensiones de aparato: horno doble de 27".....	64		
9.2 Horno doble de 27": instalación tradicional.....	65		
9.3 Horno doble de 27": instalación enrasada .....	65		
<b>10 Antes de la instalación .....</b>	<b>65</b>		
10.1 Elevación del aparato.....	65		
10.2 Conexión del tubo del horno rápido o del horno de aire caliente y vapor al horno inferior.....	67		



# INSTRUCCIONES DE SEGURIDAD IMPORTANTES

## LEA Y CONSERVE ESTAS INSTRUCCIONES

Leer atentamente todas las instrucciones antes de proceder con el uso. Si se toman estas precauciones, se reducirán los riesgos de descargas eléctricas, incendios y lesiones personales. Al utilizar aparatos de cocina, se deben tomar precauciones de seguridad básicas, incluidas las que se detallan en las páginas siguientes.

### 1.1 Definiciones de seguridad

Aquí puede encontrar explicaciones de las palabras de señal de seguridad utilizadas en este manual.

#### **ADVERTENCIA**

Esto indica que pueden producirse la muerte o heridas graves si no se cumple con esta advertencia.

#### **PRECAUCIÓN**

Esto indica que pueden producirse heridas leves o moderadas si no se cumple con esta advertencia.

#### **AVISO:**

Esto indica que pueden producirse daños en el aparato o en los bienes si no se cumple con este aviso.

**Nota:** Esto alerta sobre información o sugerencias importantes.

### 1.2 Información general

Esta sección ofrece información general sobre el presente manual.

- Leer detenidamente el presente manual.
- Tener en cuenta los avisos y las instrucciones de seguridad.
- Conservar el manual y la información del producto en un lugar seguro para futuras referencias o para el siguiente propietario.
- Comprobar posibles daños en el aparato una vez desembalado. No conectar el aparato si este ha sufrido algún daño durante el transporte.

### 1.3 Instrucciones generales de seguridad

**IMPORTANTE:** CONSERVAR ESTAS INSTRUCCIONES PARA QUE PUEDA USARLAS EL INSPECTOR DE ELECTRICIDAD LOCAL.

**INSTALADOR:** DEJAR ESTAS INSTRUCCIONES DE INSTALACIÓN JUNTO A LA UNIDAD, PARA EL PROPIETARIO.

**PROPIETARIO:** CONSERVAR ESTAS INSTRUCCIONES PARA FUTURAS REFERENCIAS.

#### **ADVERTENCIA**

Si no se sigue con exactitud la información de este manual, se puede producir un incendio o una descarga eléctrica que podrían causar daños materiales o lesiones personales.

No reparar, reemplazar ni retirar ninguna parte del aparato a menos que se recomiende específicamente en los manuales. La instalación, el servicio técnico o el mantenimiento incorrectos pueden causar lesiones o daños materiales.

- ▶ Consultar este manual como guía.
- ▶ Cualquier otra labor de mantenimiento debe de ser efectuada por un proveedor de servicios de mantenimiento autorizado.

Al instalar una placa de cocción sobre un horno individual, es preciso asegurarse de seguir las instrucciones de los manuales de instalación tanto del horno como de la placa de cocción.

- ▶ La lista de documentos del aparato incluye una matriz de combinaciones aprobadas de placa de cocción y horno; para consultar la última versión, es posible contactar con el Servicio técnico. No se debe bajo ningún concepto tratar de instalar la placa de cocción sobre ningún horno que no figure en dicha lista.

No modificar ni alterar la construcción del aparato.

- ▶ Por ejemplo, no retirar las patas de nivelación, los paneles, las cubiertas para cables ni los tornillos o soportes antivuelco.

#### **ADVERTENCIA**

Retirar toda la cinta y el embalaje antes de usar el aparato.

- ▶ Desechar el embalaje de manera respetuosa con el medio ambiente.
- ▶ No dejar nunca que los niños jueguen con el material de embalaje.

### 1.4 Seguridad de manejo del aparato

#### **ADVERTENCIA**



La unidad pesa mucho y se requieren al menos dos personas o un equipo adecuado para trasladarla.

- ▶ En el caso de los hornos dobles, se necesitan tres personas o más para levantar la unidad y colocarla en su sitio.



# INSTRUCCIONES DE SEGURIDAD IMPORTANTES

## LEA Y CONSERVE ESTAS INSTRUCCIONES

- ▶ No levantar el aparato agarrándolo del asa de la puerta.
- ▶ Para un manejo y una instalación más cómodos, extraer la puerta. Véanse las instrucciones a tal efecto en el presente manual.

### ADVERTENCIA



Las superficies ocultas pueden tener bordes afilados.

- ▶ Proceder con cuidado al intentar sujetar el aparato por la parte trasera o desde abajo.

## 1.5 Códigos y normas de seguridad

Este aparato cumple con la última versión de una o varias de las siguientes normas:

- CAN/CSA C22.2 n.º 150: hornos microondas
- CAN/CSA-C22.2 n.º 61: electrodomésticos de cocción
- CSA-C22.2 n.º 64: electrodomésticos de cocción y de calentamiento de líquidos
- UL 1026: electrodomésticos eléctricos de cocción y para servir comida
- UL 923: electrodomésticos de cocción con microondas
- UL 858: estufas eléctricas de uso doméstico

Es responsabilidad del propietario y del instalador determinar si son aplicables otros requisitos y/o normas en instalaciones específicas.

## 1.6 Seguridad eléctrica

- **Instalador:** es preciso mostrar al propietario la ubicación del breaker del circuito o del fusible. Marcarla para recordarla más fácilmente.
- Si el Código Nacional Eléctrico (o el Código Eléctrico Canadiense) así lo exige, este aparato debe instalarse con un circuito derivado dedicado por separado.
- Las normativas locales varían. El instalador es responsable de asegurarse de que la instalación, las conexiones y la toma de tierra cumplan con todas las normativas aplicables. El fabricante no se hace responsable de los problemas asociados a un montaje incorrecto de este producto.
- Para obtener más información, consultar la placa de características.

→ "Ubicación de la placa de características del aparato", Página 75

### ADVERTENCIA

Antes de realizar la instalación, desconectar la alimentación eléctrica en el panel de servicio.

- ▶ Bloquear el panel de servicio para impedir que se conecte accidentalmente la alimentación eléctrica.



### PELIGRO DE DESCARGA ELÉCTRICA

- ▶ Desconectar la alimentación eléctrica antes de proceder a la instalación o al mantenimiento. Antes de encender la alimentación, es preciso asegurarse de que todos los controles estén en la posición OFF (apagado).
- ▶ NO quitar las conexiones.
- ▶ NO usar un cable de extensión.
- ▶ Una puesta a tierra incorrecta puede causar una descarga eléctrica.
- ▶ No seguir estas instrucciones puede producir la muerte, provocar un incendio o una descarga eléctrica.

### INSTRUCCIONES PARA LA CONEXIÓN A TIERRA

- ▶ Este aparato debe estar conectado a tierra.
- ▶ La conexión a tierra reduce el riesgo de descargas eléctricas, ya que proporciona una vía de escape de la corriente eléctrica en caso de cortocircuito.
- ▶ Asegurarse de que el aparato esté correctamente instalado y conectado a tierra por un técnico calificado.
- ▶ La instalación, las conexiones eléctricas y la conexión a tierra deben cumplir con todas las normas aplicables.

Antes de enchufar un cable eléctrico, asegurarse de que todos los controles se encuentren en la posición OFF (apagado).

Antes de conectar o encender la fuente de alimentación eléctrica, asegurarse de que todos los controles se encuentren en la posición OFF (Apagado).





# INSTRUCCIONES DE SEGURIDAD IMPORTANTES

## LEA Y CONSERVE ESTAS INSTRUCCIONES

### 1.7 Advertencias en virtud de la Proposición 65 del estado de California

Este producto puede contener un químico que el Estado de California reconoce como potencialmente cancerígeno o causante de daños reproductivos. Por tanto, su producto debe llevar en su embalaje la siguiente etiqueta de conformidad con la legislación de California:

**ADVERTENCIA EN VIRTUD DE LA PROPOSICIÓN 65 DEL ESTADO DE CALIFORNIA:**

**⚠ ADVERTENCIA**

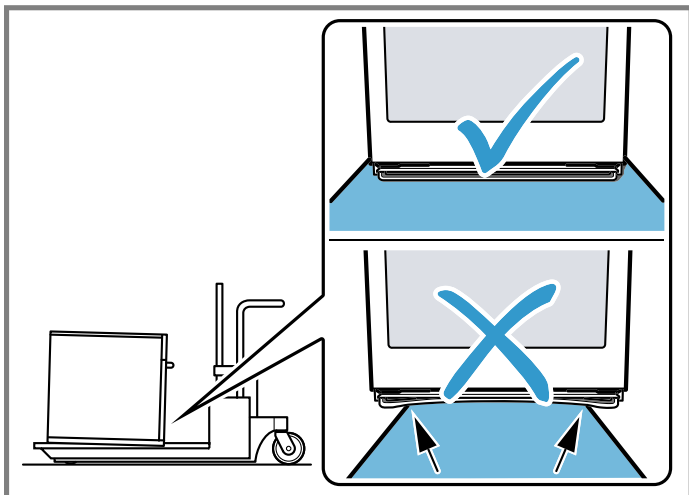
Cáncer y daño reproductivo - [www.P65Warnings.ca.gov](http://www.P65Warnings.ca.gov)

### 1.8 Transporte

Tomar las siguientes precauciones al transportar el aparato.

**AVISO:**

Para evitar dañar el aparato, emplear el método de transporte que se muestra en la imagen siguiente.





## 2 Antes de empezar

Leer estas instrucciones antes de comenzar la instalación del aparato.

### 2.1 Acerca del funcionamiento del horno combinado

Esta sección ofrece información general sobre la instalación del horno de combinación.


- Algunos hornos Bosch se venden como aparatos combinados. Cada combinación incluye dos hornos integrados: un horno de pared que debe instalarse en posición inferior y un horno superior que puede ser un modelo rápido, uno de aire caliente y vapor o un microondas.
- Para facilitar la instalación y mejorar el nivelado, los componentes del horno se ensamblan en la casa del cliente en vez de en la fábrica.
- Cada componente está empaquetado en cajas separadas, que se juntan antes del envío.
- Los hornos de combinación son aprobados para su uso en un solo hueco mediante una sola conexión.
- El horno convencional está diseñado con una caja de conexiones montada en la parte superior del aparato, que se usa para conectar el cable eléctrico del horno superior.
- Las herramientas necesarias para montar el horno rápido, el horno de aire caliente y vapor o el microondas encima del horno convencional se encuentran dentro de la caja de este último.
- Cada uno de los componentes del horno de funcionamiento combinado consta de su propia placa de características con el número de producto (E-Nr.), el número de fabricación (FD), la numeración consecutiva (Z-Nr.), etc.

### 2.2 Instalaciones combinadas

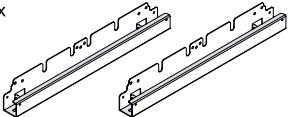
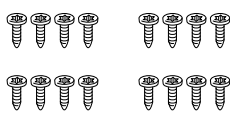
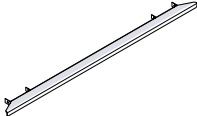
Para instalaciones de funcionamiento combinado con otros productos Bosch (por ejemplo, placas de cocción sobre el horno, etc.), se deben consultar los requisitos específicos sobre la distancia entre aparatos que se pueden encontrar en la guía sobre combinaciones aprobadas incluida en el kit del manual o en nuestro sitio web para su instalación específica.

### 2.3 Partes incluidas

Después de desembalar el aparato, verifique que todas las piezas no presenten daños ocasionados durante el transporte, así como que el volumen de suministro esté completo.

8 x ⊕		8 tornillos de montaje para el horno (guardados en la bolsa roja de plástico que se encuentra en el embalaje de la parrilla) Véase el folleto adjunto: <b>INSTALACIÓN DE LOS TORNILLOS</b>
-------	---	---

### Partes adicionales incluidas para los hornos de combinación

2 x		2 placas de fijación de conexión universales (en la caja de partes encima del horno)
16 x ⊕		10 tornillos roscados sin cabeza 6 tornillos limitadores (guardados en la bolsa roja que se encuentra en el interior de la caja de partes)
1 x		1 moldura decorativa (guardada en la bolsa de plástico fijada a la parte superior del horno)

### 2.4 Herramientas y partes necesarias

Preparar las siguientes herramientas y artículos antes de comenzar la instalación del aparato.

- Lápiz
- Cinta métrica
- Nivel
- Desarmador Torx T-20
- Desarmador Phillips
- Taladro con broca de 1/8"
- Cuchillo
- Guantes de seguridad

### 2.5 Requisitos de potencia y de conexión a tierra

El contacto para el enchufe debe incorporar una conexión a tierra adecuada de conformidad con todas las normas aplicables.

## 3 Eliminación del embalaje

Proteger los acabados del piso antes de mover el horno.

### 3.1 Eliminación del embalaje de hornos individuales y dobles integrados

- Cortar los flejes de la caja.
- Abrir la parte superior del embalaje de cartón y retirar el marco de madera de la parte superior.
- Retirar la caja de cartón; levantándola y sacándola de la unidad.

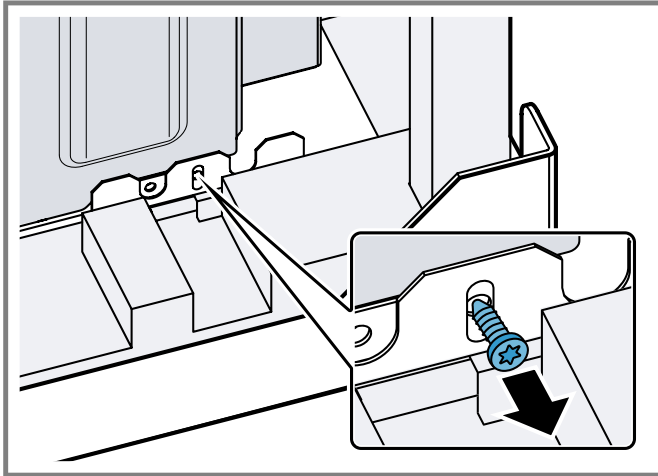
Alternativamente, es posible cortar con cuidado por la línea de corte del lateral trasero de la caja de cartón con una cuchilla de longitud inferior a 3/4" (20 mm).

- Colocar la unidad delante del gabinete en el que se va a instalar. La unidad debe estar alineada con el hueco del gabinete.

La unidad debe permanecer en la base de embalaje hasta que esté preparada para colocarse en el hueco del gabinete.

- Retirar todos los embalajes de protección internos, rejillas, accesorios y manuales de instrucciones del interior de la cavidad del horno.

6. Retirar las placas de fijación de los embalajes.
  - Con un desarmador Torx T-20, extraer los tornillos que atraviesan los orificios ranurados en los soportes de montaje de los lados izquierdo y derecho.
  - No extraer ningún otro tornillo del horno.



- ✓ El horno está ahora separado de la base de embalaje.
  - ✓ Los soportes se mantienen en la base del embalaje.
7. La unidad debe permanecer en la base de embalaje hasta el momento de elevarla y colocarla en el hueco del gabinete o sobre el horno inferior.

### 3.2 Eliminación del embalaje de hornos de combinación

1. Cortar los flejes de la caja.
2. Retirar los protectores de las esquinas/flejes de la parte superior de la caja de cartón.
3. Retirar la caja de cartón exterior; para ello levantarla y extraerla de la unidad.  
También es posible cortar con cuidado por la línea de corte del lateral trasero de la caja de cartón con una cuchilla de longitud inferior a 3/4" (20 mm).
4. Retirar la unidad superior empaquetada del horno de combinación. Colocarla en el piso a fin de poder abrir ambas cajas de cartón.
5. Retirar el embalaje de las unidades individuales siguiendo las instrucciones que aparecen impresas en cada caja de cartón individual; alternativamente, véase → "Eliminación del embalaje de hornos individuales y dobles integrados", Página 55.

## 4 Requisitos de instalación

Leer las presentes instrucciones para preparar el espacio de instalación del aparato.

### 4.1 Peso del aparato

El gabinete de base debe poder soportar el peso del horno, según se especifica en la tabla siguiente.

Tipo de horno	Peso
Hornos multifunción de 68.5 cm (27")	145 lb (66 kg)
Hornos dobles de 68.5 cm (27")	258 lb (117 kg)

Tipo de horno	Peso
Hornos multifunción de 76.2 cm (30")	161 lb (73 kg)
Hornos dobles de 76.2 cm (30")	292 lb (133 kg)
Hornos de combinación, de 76.2 cm (30")	274 lb (125 kg)

### 4.2 Requisitos de ubicación

Antes de comenzar con el proceso de montaje, es preciso asegurarse de que la ubicación de montaje cumpla con los siguientes requisitos.

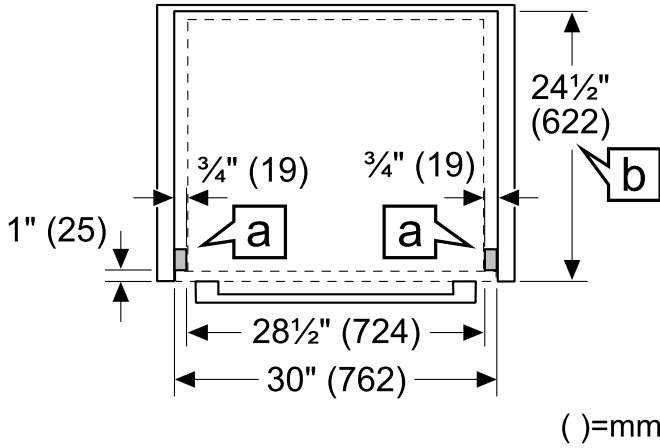
- Cuando se instala un horno al final de un gabinete en batería, junto a una pared perpendicular o a una puerta del gabinete, se aconseja dejar un espacio de, por lo menos, 1/4" (6.4 mm) entre el lado del horno y la pared o puerta.
- Para apoyar el horno, colocar tiras de 2" x 4" para ampliar el enrasado de adelante hasta atrás con la parte inferior y los laterales de la abertura.
- La base de apoyo debe estar bien asegurada al piso o gabinete y correctamente nivelada.
- La abertura del gabinete debe estar a plomada y la base debe ser plana y estar correctamente nivelada.
- Al instalar un horno con bisagra lateral, dejar como mínimo un espacio de 10" (254 mm) para permitir que la puerta se abra.
- Las cajas de conexiones se pueden ubicar en cualquier lugar al alcance del cable de corriente del horno.
- La base del gabinete debe ser plana y capaz de soportar el peso de la unidad. Consultar la tabla de pesos de aparatos para conocer los requisitos para cada horno.
- Las medidas de debajo del horno son orientativas y se pueden ajustar en función de las necesidades de cada aplicación particular. Consultar a un profesional del diseño para optimizarlas según las preferencias personales.



### 5.3 Horno individual de 30": instalación enrasada

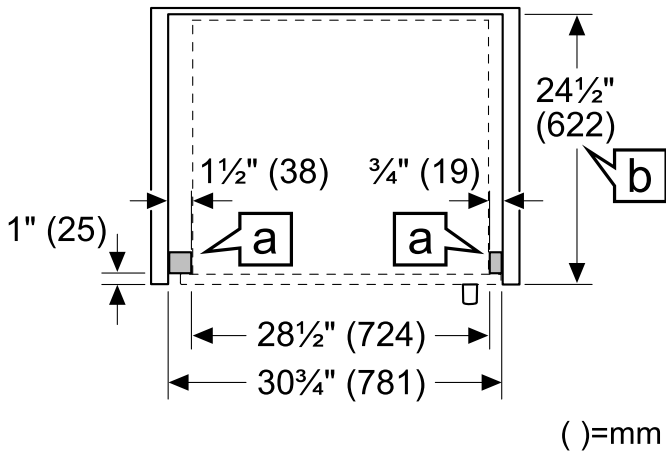
La instalación enrasada necesita dos refuerzos laterales fijados dentro del marco del gabinete, empotrados desde la parte delantera.

#### Puerta con bisagra inferior, vista superior



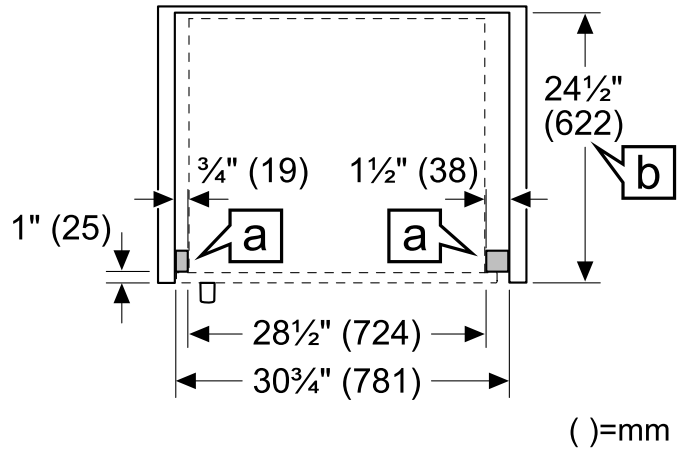
- a Tiras de marco
- b Profundidad de inserción enrasada

#### Puerta con bisagra a la izquierda, vista superior



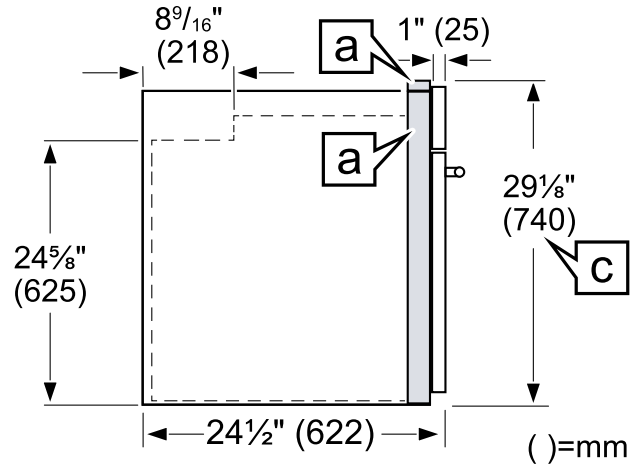
- a Tiras de marco
- b Profundidad de inserción enrasada

#### Puerta con bisagra a la derecha, vista superior



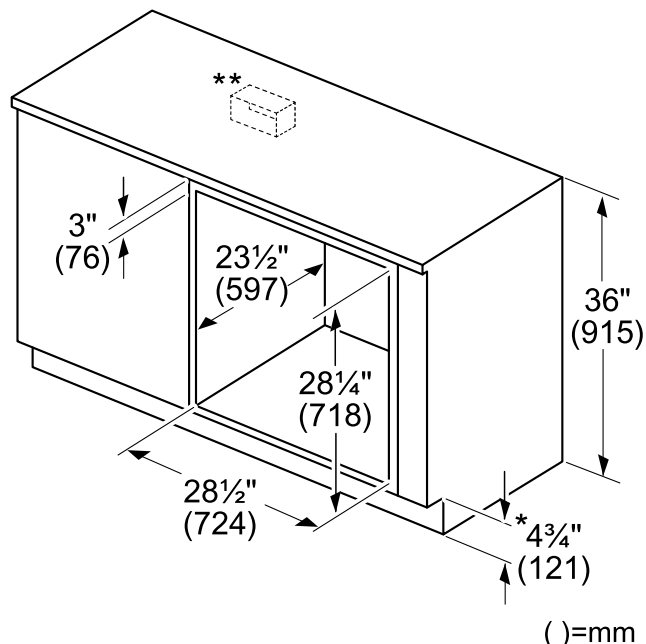
- a Tiras de marco
- b Profundidad de inserción enrasada

#### Vista lateral (representativa)

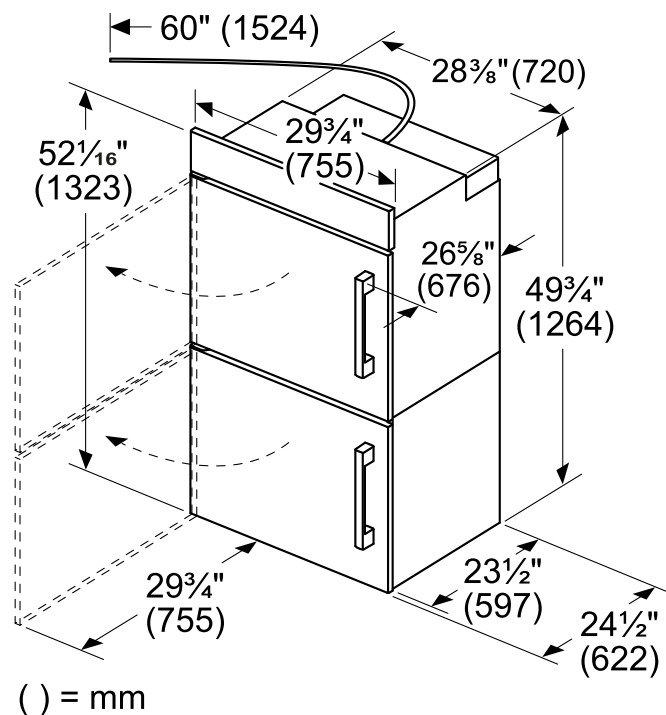


- a Tiras de marco
- c Altura del hueco enrasado

### 5.4 Horno individual de 30": instalación bajo cubierta



\*Incluye una placa de base de 3/4 pulgadas (19 mm).  
 \*\*La caja de conexiones debe situarse a la izquierda o a la derecha de la unidad, al alcance del tubo flexible.

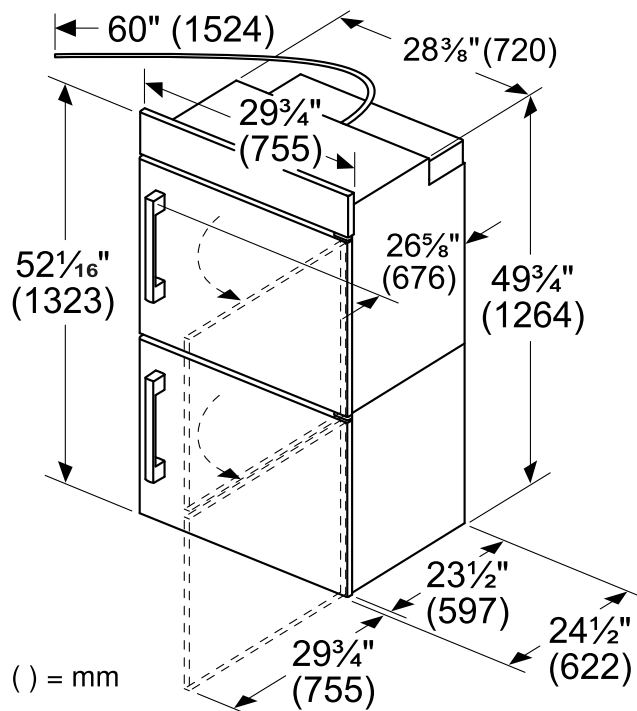
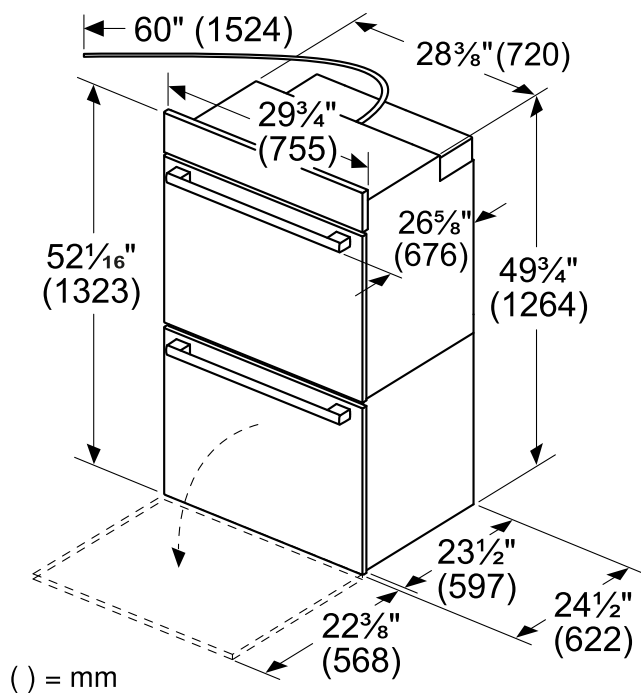


Dejar un espacio de 3/4" (19 mm) hasta el frontal del gabinete más cercano para que se abra la puerta.

## 6 Medidas para el horno doble de 30"

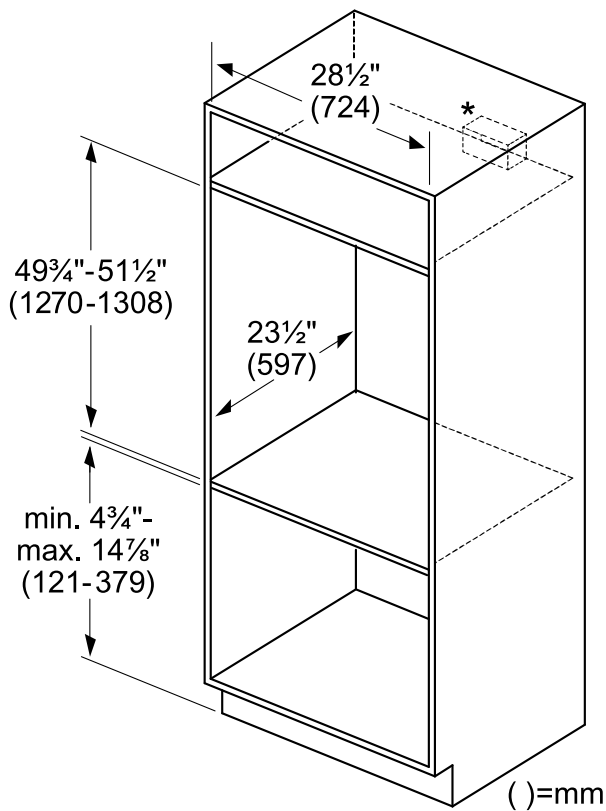
Consultar esta sección para conocer las dimensiones de aparato y gabinete para hornos dobles de 30".

### 6.1 Dimensiones de aparato: horno doble de 30"



Dejar un espacio de 3/4" (19 mm) hasta el frontal del gabinete más cercano para que se abra la puerta.

## 6.2 Horno doble de 30": instalación tradicional

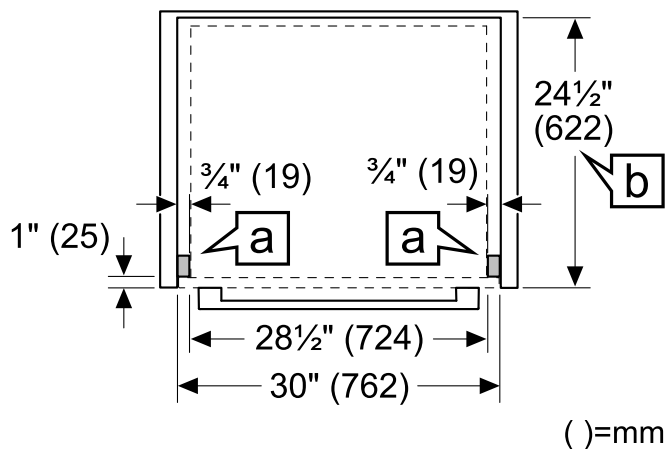


\*Ubicación de la caja de conexiones: arriba, a la izquierda o a la derecha de la unidad, al alcance del tubo flexible. Superposición del panel de control: de 3/8" (10 mm) como mínimo a 2" (51 mm) como máximo.

## 6.3 Horno doble de 30": instalación enrasada

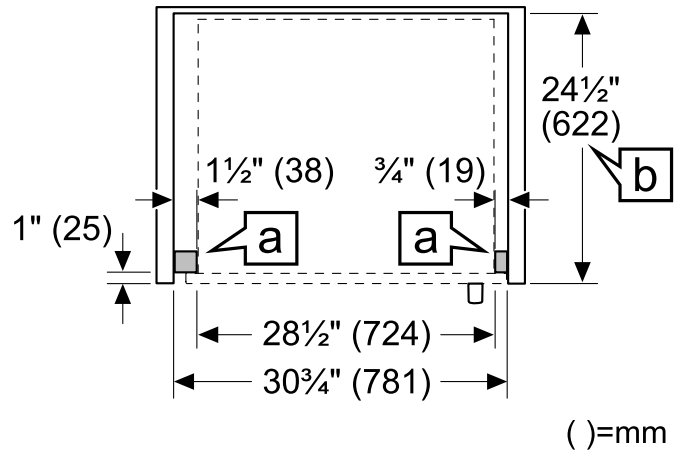
La instalación enrasada necesita dos refuerzos laterales fijados dentro del marco del gabinete, empotrados desde la parte delantera.

### Puerta con bisagra inferior, vista superior



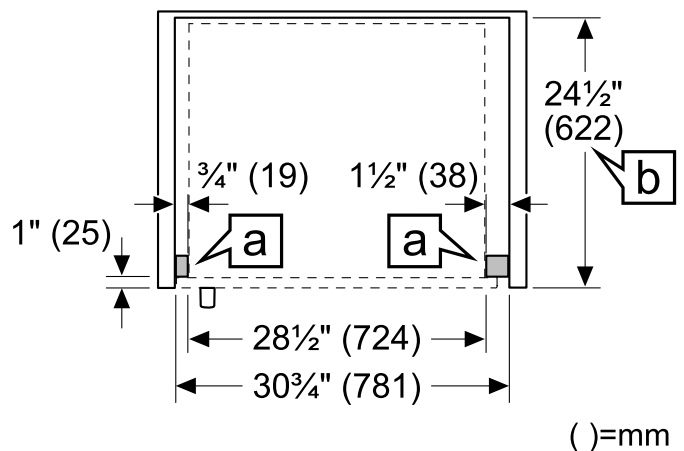
a	Tiras de marco
b	Profundidad de inserción enrasada

### Puerta con bisagra a la izquierda, vista superior



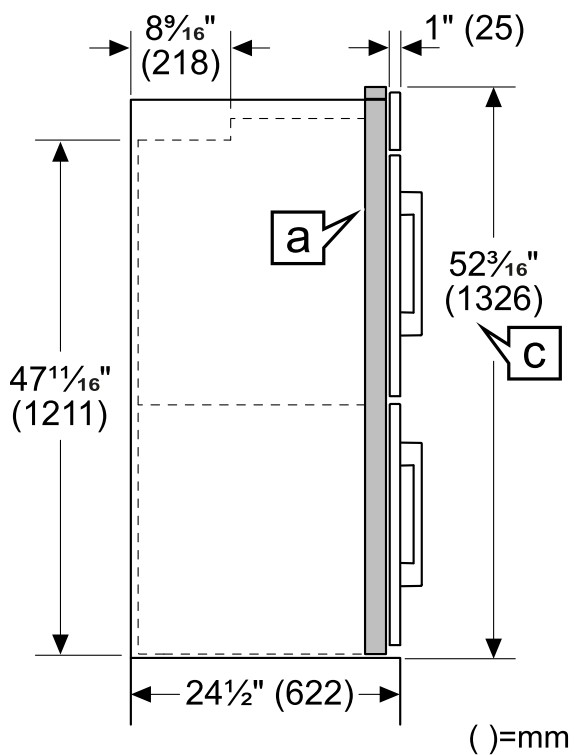
a	Tiras de marco
b	Profundidad de inserción enrasada

### Puerta con bisagra a la derecha, vista superior



a	Tiras de marco
b	Profundidad de inserción enrasada

Vista lateral (representativa)

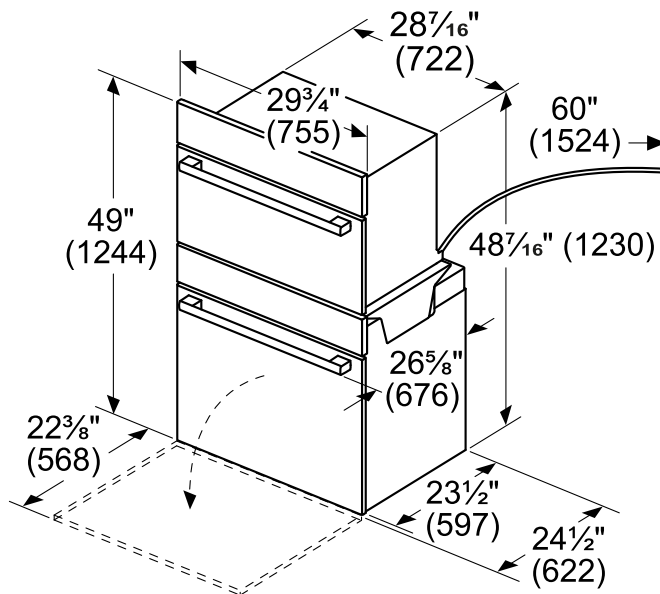


a	Tiras de marco
c	Altura del hueco enrasado

## 7 Medidas para hornos de combinación de 30"

Consultar esta sección para conocer las dimensiones de aparato y gabinete para hornos de combinación de 30".

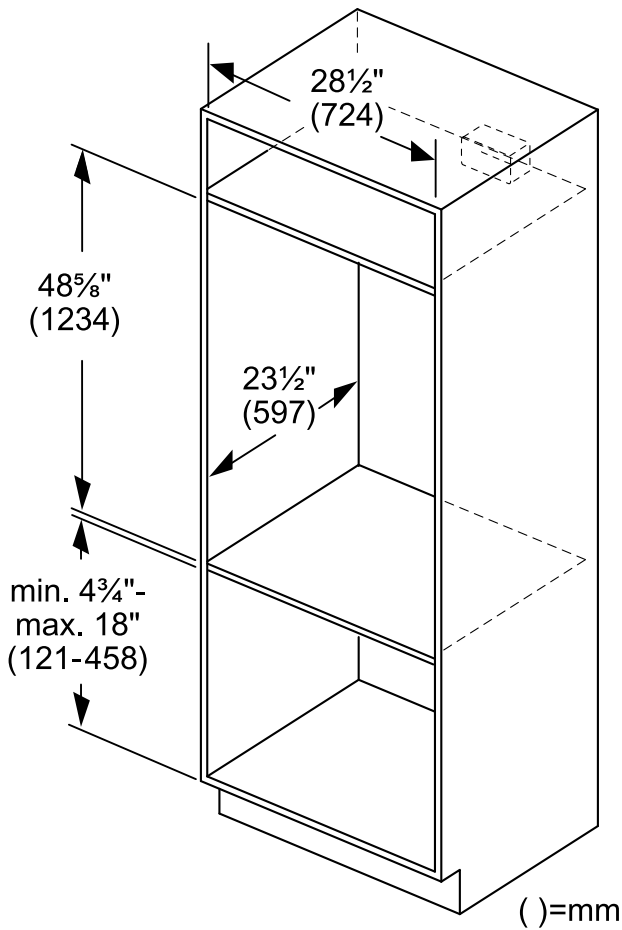
### 7.1 Dimensiones de aparato: horno de combinación de 30"



( ) = mm



### 7.2 Horno de combinación de 30": instalación tradicional

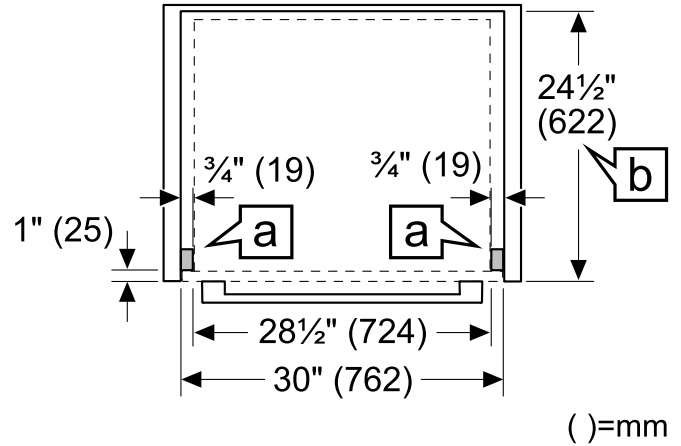


\*Ubicación de la caja de conexiones: arriba, a la izquierda o a la derecha de la unidad, al alcance del tubo flexible.  
Superposición del panel de control: de 3/8" (10 mm) como mínimo a 2" (51 mm) como máximo.

### 7.3 Horno de combinación de 30": instalación enrasada

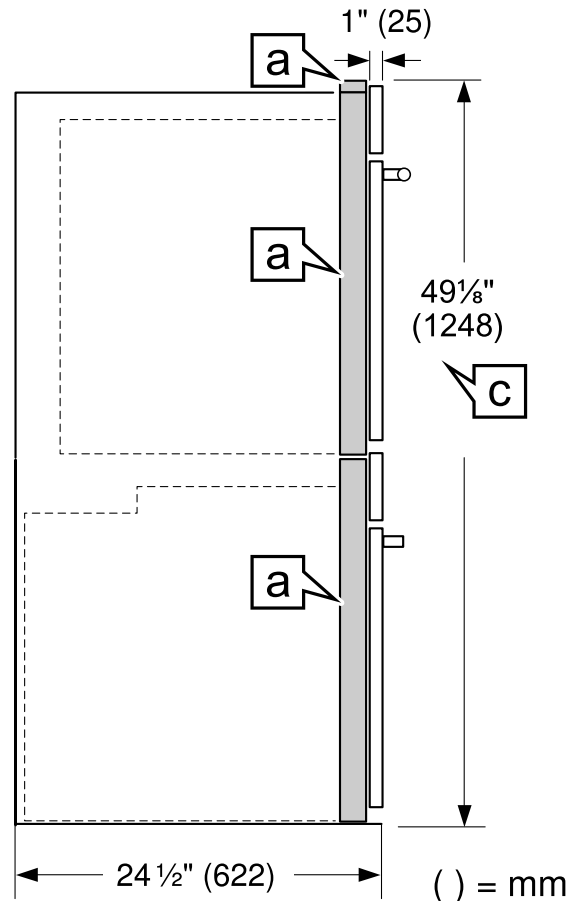
La instalación enrasada necesita dos refuerzos laterales fijados dentro del marco del gabinete, empotrados desde la parte delantera.

#### Vista desde arriba



- a Tiras de marco
- b Profundidad de inserción enrasada

#### Vista lateral



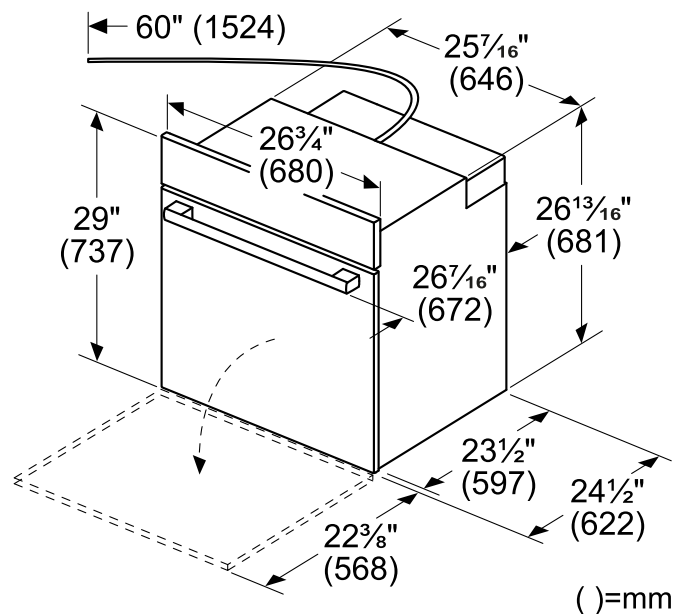
- a Tiras de marco

**c** Altura del hueco enrasado

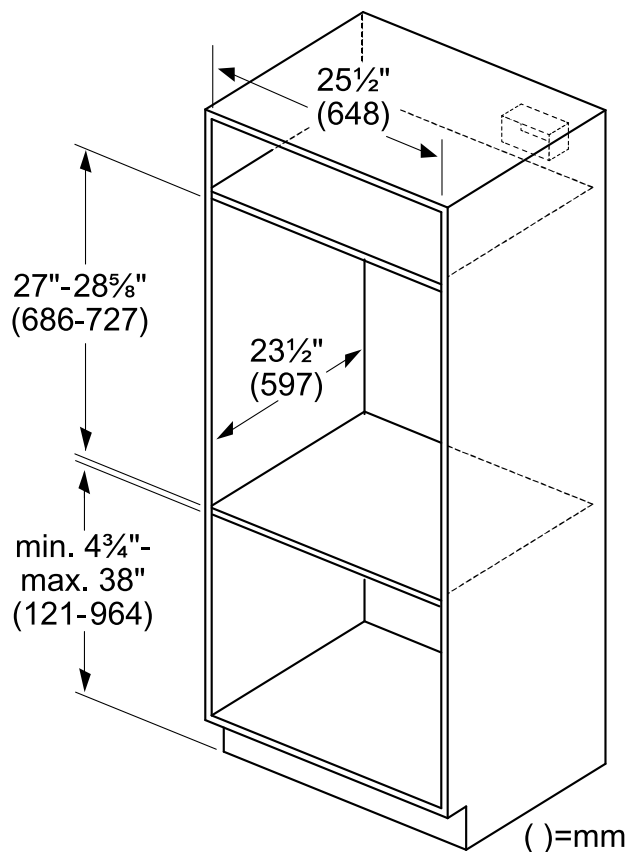
## 8 Medidas para hornos individuales de 27"

Consultar esta sección para conocer las dimensiones de aparato y gabinete para hornos sencillos de 27".

### 8.1 Dimensiones del aparato: horno individual de 27"



### 8.2 Horno individual de 27": instalación tradicional

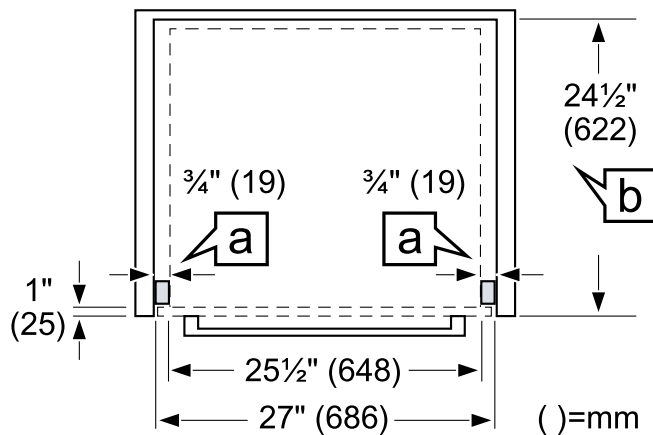


\*Ubicación de la caja de conexiones: arriba, a la izquierda o a la derecha de la unidad, al alcance del tubo flexible. Superposición del panel de control: de 3/8" (10 mm) como mínimo a 2" (51 mm) como máximo.

### 8.3 Horno individual de 27": instalación enrasada

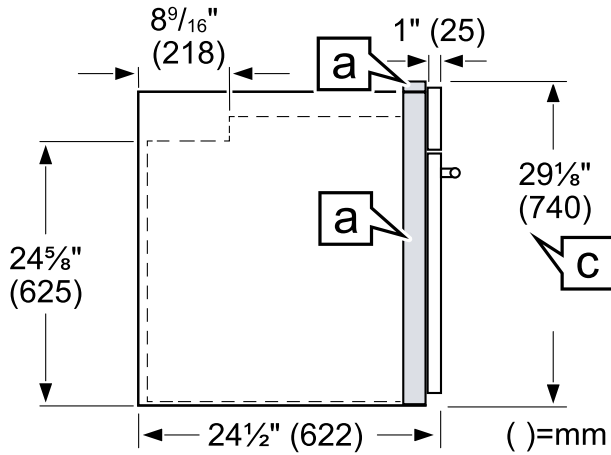
La instalación enrasada necesita dos refuerzos laterales fijados dentro del marco del gabinete, empotrados desde la parte delantera.

Vista desde arriba



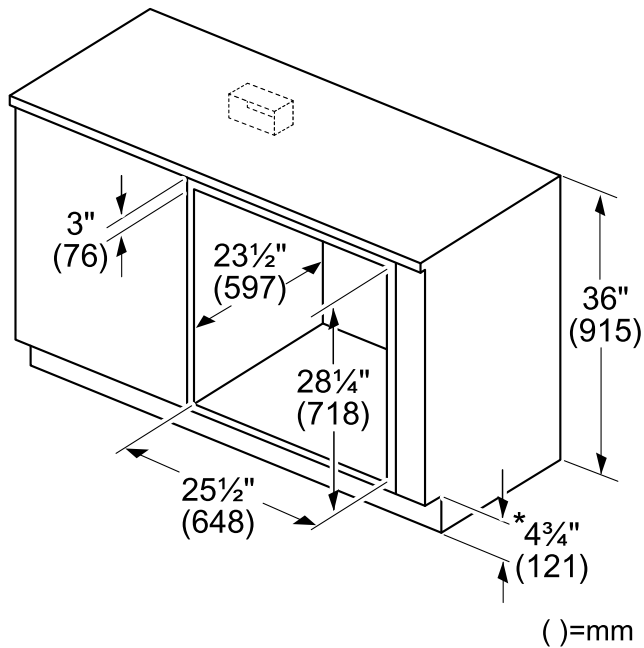
- a Tiras de marco
- b Profundidad de inserción enrasada

**Vista lateral**



- a Tiras de marco
- c Altura del hueco enrasado

**8.4 Horno individual de 27": instalación bajo cubierta**

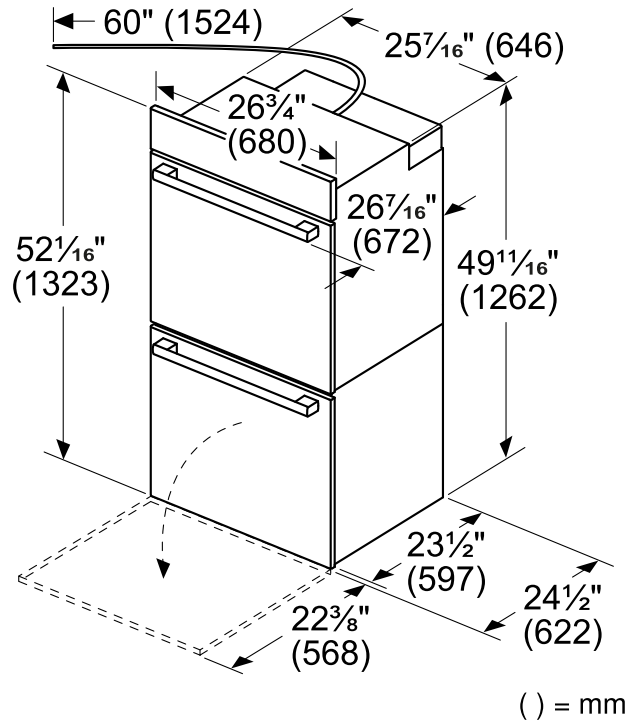


\*Incluye una placa de base de 3/4 pulgadas (19 mm).  
 \*Ubicación de la caja de conexiones: a la izquierda o a la derecha de la unidad, al alcance del tubo flexible.

**9 Medidas para el horno doble de 27"**

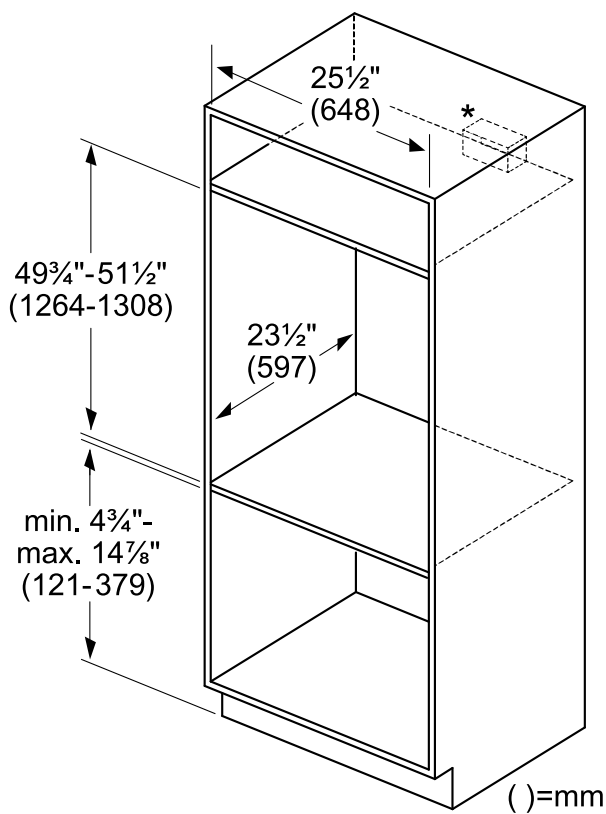
Consultar esta sección para conocer las dimensiones de aparato y gabinete para hornos dobles de 27".

**9.1 Dimensiones de aparato: horno doble de 27"**



( ) = mm

## 9.2 Horno doble de 27": instalación tradicional

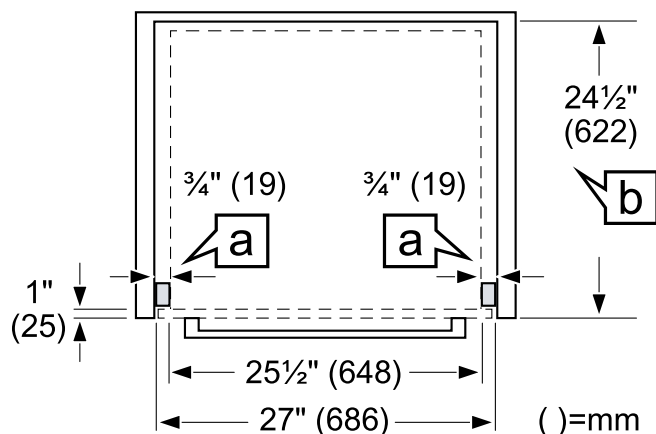


\*Ubicación de la caja de conexiones: arriba, a la izquierda o a la derecha de la unidad, al alcance del tubo flexible. Superposición del panel de control: de 3/8" (10 mm) como mínimo a 2" (51 mm) como máximo.

## 9.3 Horno doble de 27": instalación enrasada

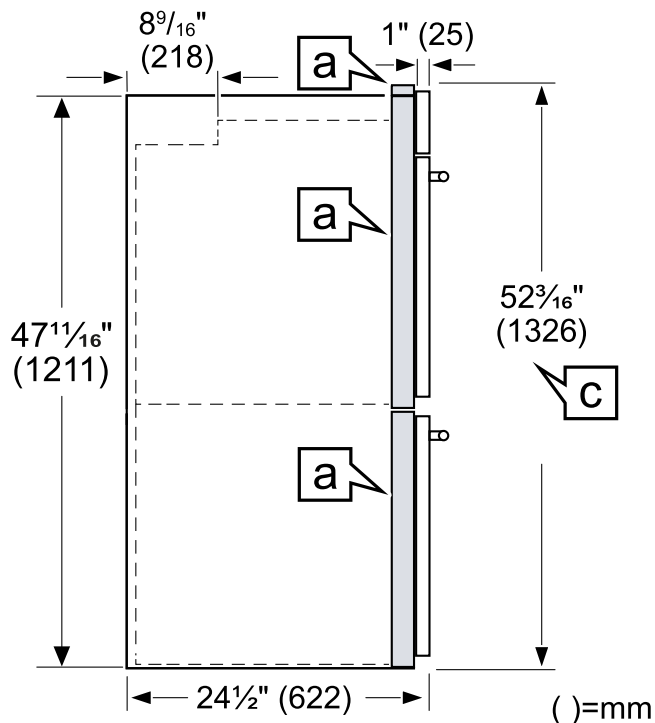
La instalación enrasada necesita dos refuerzos laterales fijados dentro del marco del gabinete, empotrados desde la parte delantera.

### Vista desde arriba



a	Tiras de marco
b	Profundidad de inserción enrasada

### Vista lateral



a	Tiras de marco
c	Altura del hueco enrasado

## 10 Antes de la instalación

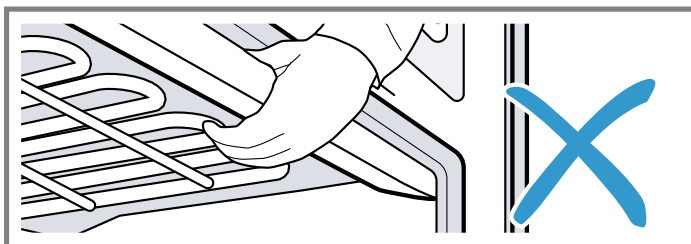
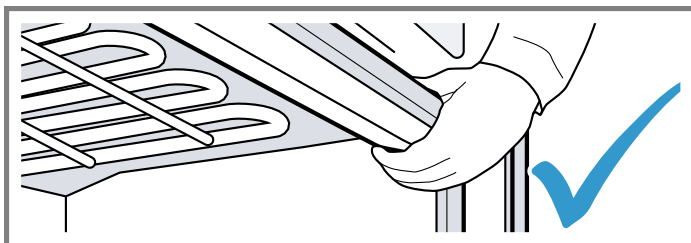
Llevar a cabo los siguientes pasos para preparar el aparato para su instalación.

### 10.1 Elevación del aparato

Seguir las recomendaciones para evitar lesiones y daños en el aparato al elevarlo.

#### **⚠ PRECAUCIÓN**

NO intentar levantar la unidad sosteniendo el elemento calefactor superior del horno.



- Extraer la puerta del horno con bisagra inferior antes de proceder con la instalación para poder acceder a los puntos de elevación necesarios y para reducir notablemente el peso de la unidad. En los hornos dobles con puertas con bisagra inferior, es posible retirar ambas puertas.
  - "Extracción de la puerta del horno (en modelos convencionales con bisagra inferior)", Página 69
- El manejo del horno durante su instalación puede resultar difícil para solo dos personas. Se recomienda que estén disponibles tres personas o más para ayudar a levantar la unidad y colocarla en su sitio.
- Hay un reborde en todo el frontal superior de la cavidad del horno. Para levantarlo, agarrar este reborde con una mano y colocar la otra mano en la parte trasera de la unidad. Si hay un tercer ayudante que levanta desde el frontal, ambas manos deben sostener esta zona del reborde para levantarlo.
  - "Puntos de elevación", Página 66
- El método de elevación recomendado depende del tipo de puerta del horno.

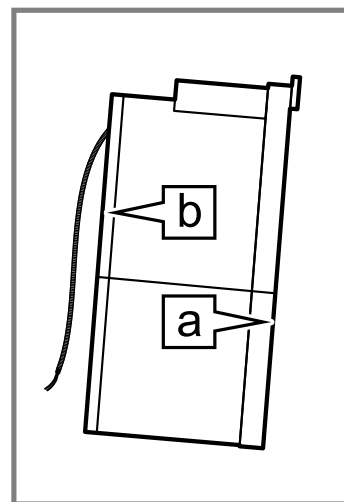
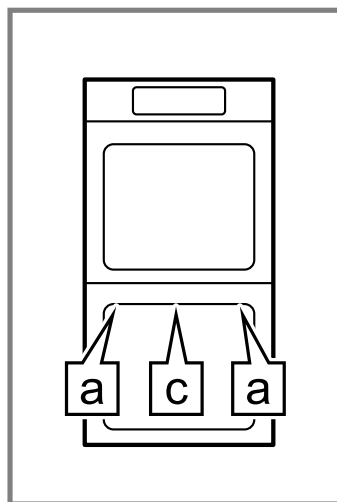
### Puntos de elevación

Las personas que elevan el aparato deben colocarse a cada lado del horno y utilizar los puntos de elevación que se especifican en la tabla y en las ilustraciones. Debe haber una tercera persona colocada frente a la cavidad del horno que ayude a levantar la unidad.

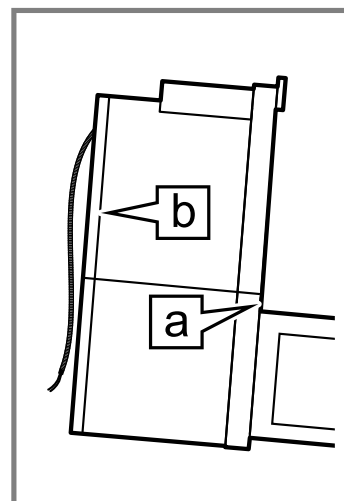
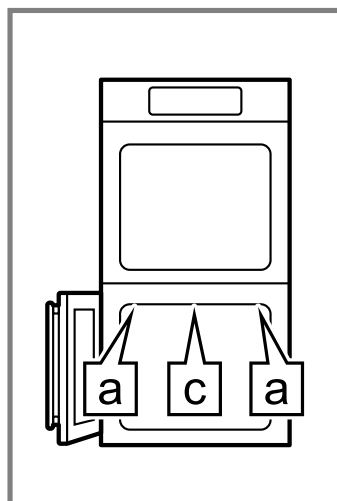
**Nota:** Los puntos de elevación se muestran con la puerta extraída (en modelos con puerta con bisagra inferior) y con la puerta abierta e 90°-110° (en modelos con puerta con bisagra lateral).

Puntos de elevación	Descripción
a	Posición frontal de la mano para los ayudantes que levanten desde los laterales de la unidad.
b	Posición trasera de la mano para los ayudantes que levanten desde los laterales de la unidad.
c	Posición de una tercera persona que ayude a levantar la unidad.

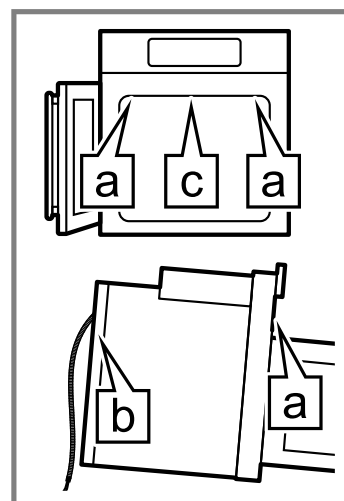
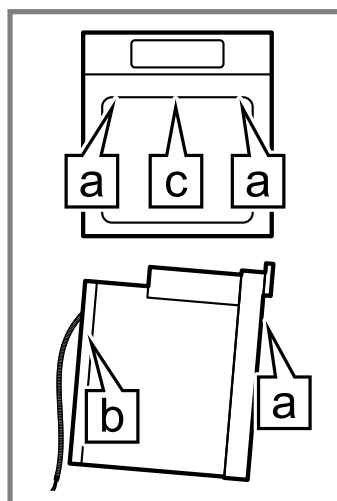
### Hornos dobles o de combinación con puerta con bisagra inferior



### Hornos dobles o de combinación con puerta con bisagra lateral



### Hornos individuales con puerta con bisagra inferior o lateral



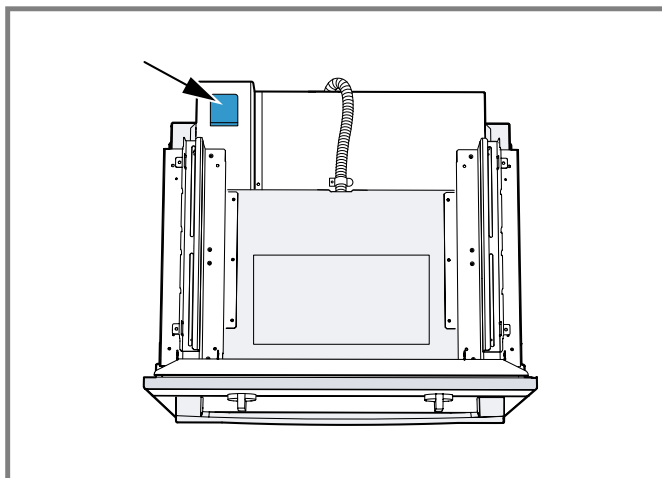
## 10.2 Conexión del tubo del horno rápido o del horno de aire caliente y vapor al horno inferior

El cable de salida de la unidad superior de un horno de combinación debe estar correctamente conectado a la caja de conexiones montada en el horno inferior.

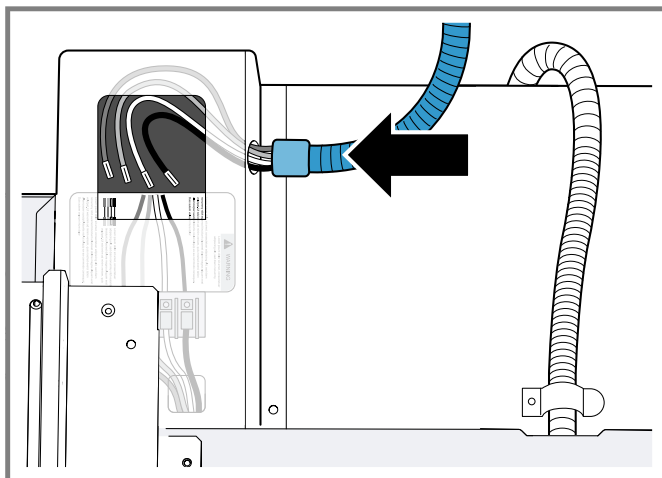
### ⚠ ADVERTENCIA

Es preciso asegurarse de que el horno no esté conectado a la corriente eléctrica al conectar las unidades superior e inferior del horno.

1. Quitar la tapa de la caja de conexiones montada en el horno que se encuentra en la parte trasera del mismo.

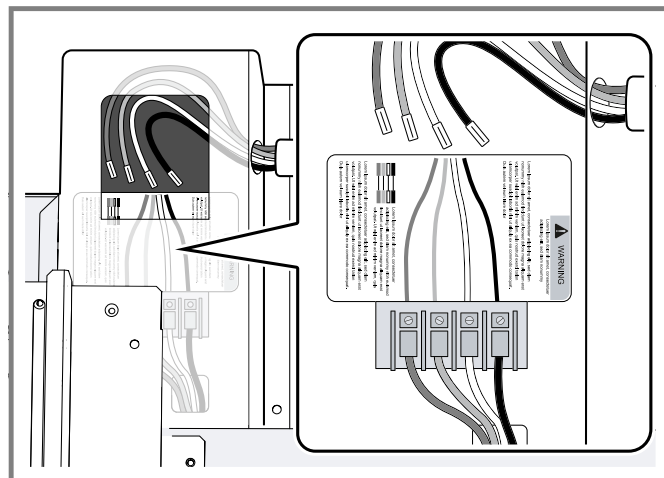


2. Quitar la cubierta del orificio de acceso del tubo a un lado de la caja de conexiones montada en el horno.
3. Guiar los cables del conducto (que vienen del horno rápido o del horno de aire caliente y vapor) a través del orificio en la caja de conexiones montada en el horno.



4. Colocar el conector del tubo en el orificio; para ello, presionarlo hasta que se escuche un clic.

5. Seguir las indicaciones del diagrama de cableado; apretar firmemente pero sin sobrepasarse.
  - Hacer coincidir y conectar cada cable según el color a los cables acoplados al bloque de cableado dentro de la caja de conexiones montada en el horno.
  - Presionar el extremo descubierto del cable hasta que se ajuste en el bloque de cableado, después, apretar el tornillo de fijación de cada cable.
  - Hay cuatro cables que vienen del horno rápido.

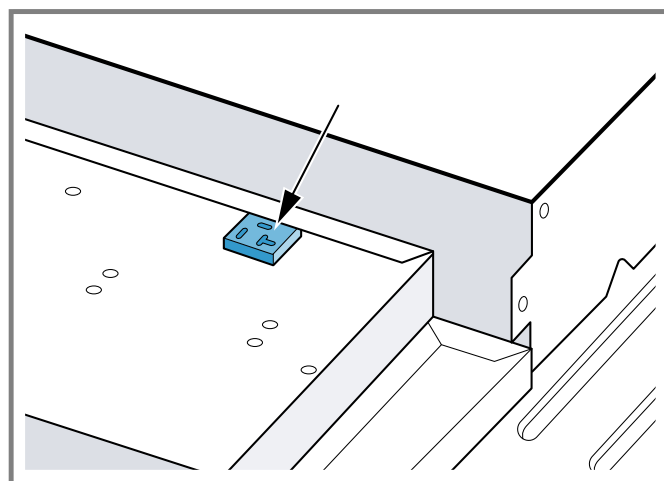


6. Recolocar la tapa de la caja de conexiones montada en el horno y apretar los dos tornillos que la sostienen. Apretar firmemente pero sin sobrepasarse.

## 10.3 Conexión del microondas al horno inferior

El enchufe del microondas superior en un horno de combinación debe estar conectado en la toma de corriente del horno inferior.

1. En el caso de los modelos de microondas de combinación HBL57M52UC y HBL87M53UC y el modelo de horno rápido de combinación HBL8753UC: conectar el enchufe de 120 V del microondas en el receptáculo situado en la parte superior trasera del horno inferior.



2. En el caso del modelo de microondas individual HMB50152UC o el modelo de horno rápido HMC80152UC: conectar el enchufe de 120 V del microondas a un circuito específico de microondas/horno rápido de 120 V. Consultar el manual de instalación del aparato.

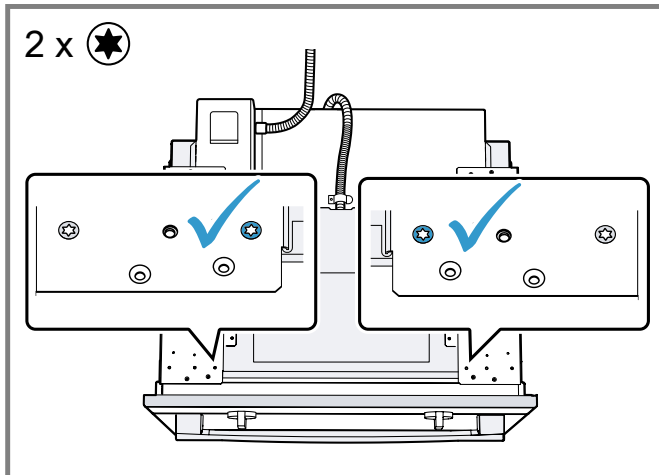
## 10.4 Ensamblaje de las dos unidades del horno de combinación

Asegurar el microondas, el horno rápido o el horno de aire caliente y vapor encima del horno inferior antes de colocar el horno en el gabinete montado a la pared.

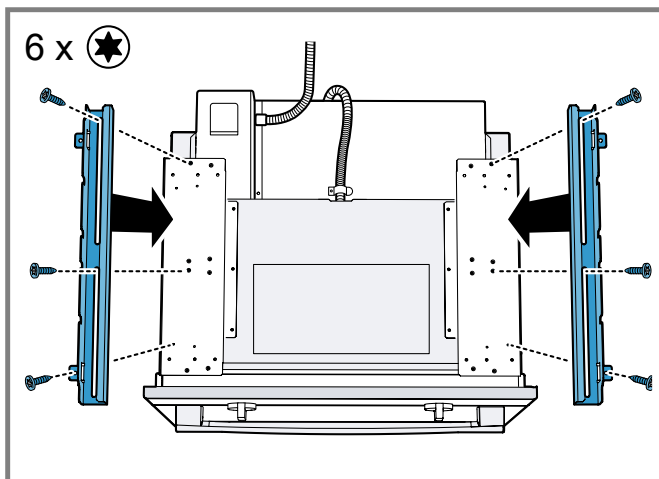
- Preparar las partes necesarias para la instalación.  
→ "Partes adicionales incluidas para los hornos de combinación", Página 55
- Las placas de fijación de conexión universales se pueden intercambiar en los laterales derecho e izquierdo del horno. Comprobar que el borde vertical más alto de la placa de fijación quede colocado hacia la parte exterior del horno.

### Fijación de los soportes de conexión para un microondas o un horno rápido

1. Asegurarse de que los dos (2) tornillos más próximos a la parte frontal del soporte se encuentren en las posiciones interna y externa. En el momento de la entrega, ambos tornillos se encuentran en esa posición.

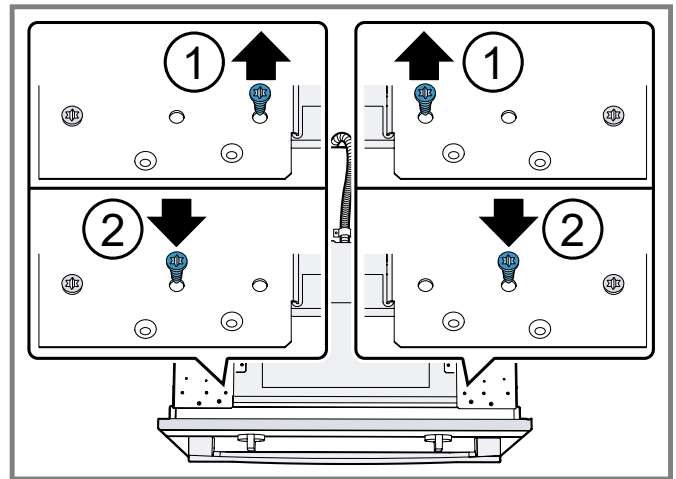


2. Instalar ambas placas de fijación de conexión universales en los orificios exteriores de la parte superior del horno inferior; utilizar para esto seis (6) de los tornillos suministrados. Apretar los tornillos firmemente, pero sin sobrepasarse.

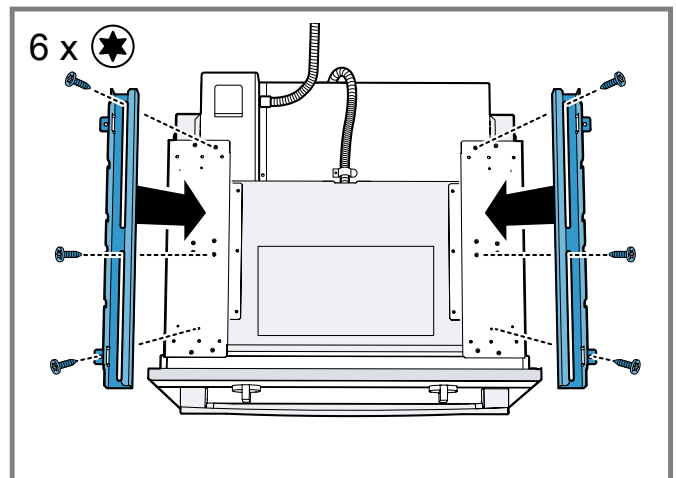


### Fijación de los soportes de conexión para un horno de aire caliente y vapor

1. Asegurarse de que los dos (2) tornillos más próximos a la parte frontal del soporte se encuentren en las dos posiciones más exteriores.



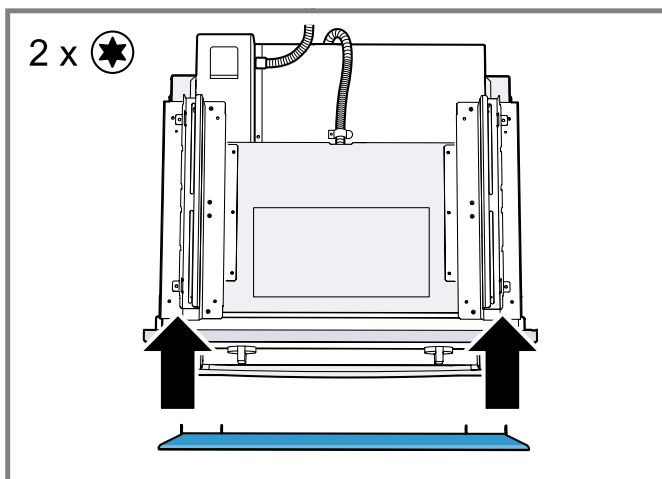
2. Con ayuda de un desarmador Torx T-20, instalar ambas placas de fijación de conexión universales en los orificios interiores de la parte superior del horno inferior; utilizar para esto seis (6) de los tornillos suministrados. Apretar los tornillos firmemente, pero sin sobrepasarse.



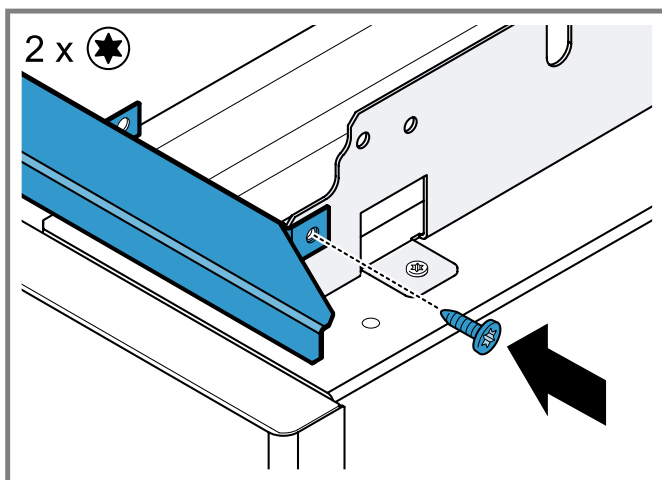


### Instalación de la moldura decorativa

1. Colocar la moldura decorativa de modo que los bordes con los orificios queden orientados hacia la parte trasera del horno.

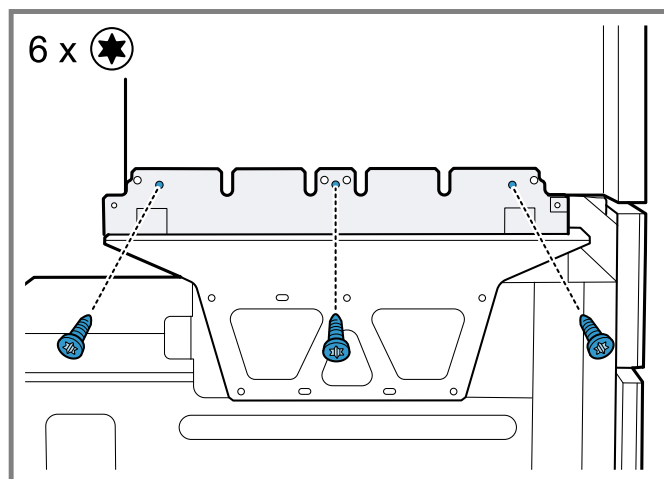


2. Alinear los bordes exteriores con el exterior de las placas de fijación universales. Fijar cada uno con un (1) tornillo en el orificio final de cada placa de fijación universal. Apretar los tornillos firmemente pero sin sobrepasarse.



### Asegurar la unidad superior encima del horno inferior

- ▶ Colocar el horno de aire caliente y vapor, el horno rápido o el microondas encima de las guías de conexión universales y fijarlo en su sitio utilizando tres (3) tornillos en cada lado. Apretar los tornillos firmemente pero sin sobrepasarse.



Los tornillos que ya hay en la base de la unidad superior ayudan a nivelarlo. Al bajar la unidad superior hasta su lugar sobre las placas de fijación de conexión universales, hacer que las cabezas de estos tornillos se introduzcan en las ranuras, tal y como se muestra en la siguiente ilustración. El tornillo más cercano a la parte delantera de la unidad superior debe deslizarse por la base del bisel en la parte frontal de la placa de fijación.

### 10.5 Extracción de la puerta del horno (en modelos convencionales con bisagra inferior)

Se recomienda extraer la puerta del horno con bisagra inferior en los hornos convencionales, a fin de reducir el peso del aparato y así facilitar su manejo y su instalación. En los hornos dobles con puertas con bisagra inferior, es posible retirar ambas puertas. No es posible extraer las puertas con bisagra lateral.

#### ⚠ PRECAUCIÓN

No se debe tratar de extraer las puertas de hornos rápidos, hornos de aire caliente y vapor o microondas; de lo contrario, el aparato podría resultar dañado o funcionar de forma incorrecta posteriormente.

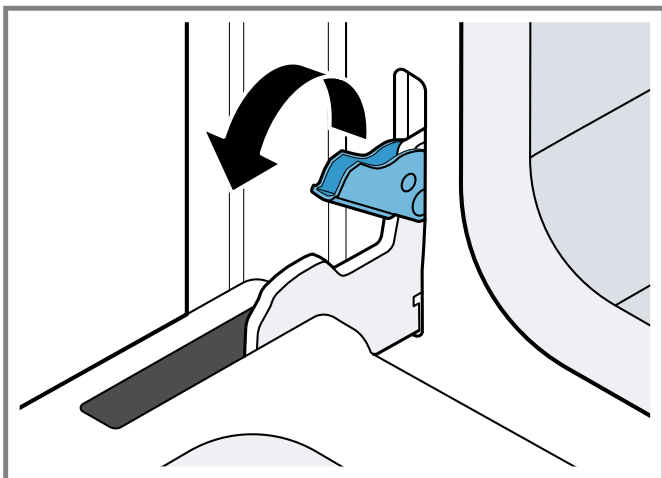
#### ⚠ ADVERTENCIA

Si no se siguen las presentes instrucciones para retirar la puerta del horno, existe un riesgo de sufrir lesiones personales o dañar el producto.

- ▶ Asegurarse de que el horno esté frío y de que se haya desconectado el aparato de la corriente eléctrica antes de retirar la puerta. De no hacerlo, se puede producir una descarga eléctrica o quemaduras.
- ▶ La puerta del horno es pesada y algunas de sus partes son frágiles. Usar las dos manos para extraer la puerta del horno.
- ▶ La puerta frontal es de cristal. Es preciso manejarla con cuidado para evitar que se rompa.

- ▶ Agarrar solo el lateral de la puerta del horno. No se debe agarrar por el asa; podría resbalar en la mano y causar daños o lesiones. Si no se agarra la puerta del horno con firmeza y adecuadamente, podrían producirse lesiones personales o daños en el producto.
- ▶ Para evitar lesiones al cerrarse bruscamente la placa de fijación de la bisagra, asegurarse de que las dos palancas estén firmemente colocadas antes de quitar la puerta.
- ▶ No forzar la apertura ni el cierre de la puerta; se podría deteriorar la bisagra y se correría el riesgo de sufrir daños o lesiones.
- ▶ No dejar la puerta extraída sobre objetos afilados o puntiagudos, ya que se podría romper el cristal. Colocarla sobre una superficie plana y suave para que no se caiga.

1. Abrir la puerta del horno hasta una posición completamente abierta.
2. Voltrear las palancas de las bisagras hacia sí mismo.

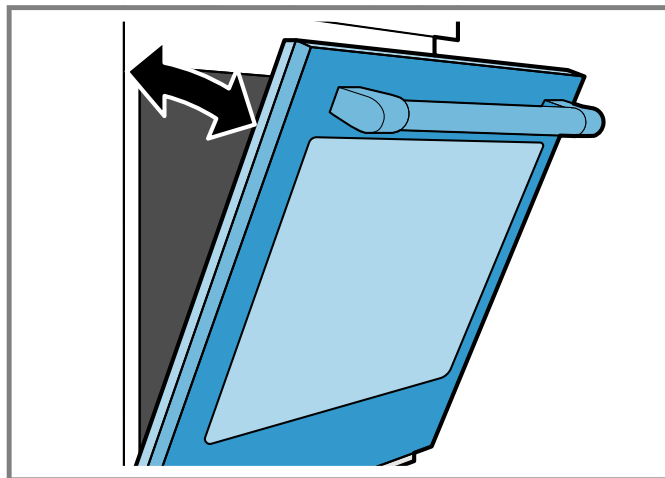


En caso necesario, utilizar una herramienta, como un desarmador, para separar con cuidado la parte superior de la palanca fuera de la carcasa. Tener cuidado de evitar rayar la carcasa.

3. Poner ambas bisagras móviles de la puerta en su posición más baja posible. Las bisagras izquierda y derecha de la puerta difieren ligeramente, pero funcionan de la misma forma.

4. **⚠ PRECAUCIÓN** Seguir las instrucciones siguientes para evitar que el pestillo se cierre de repente; si esto ocurriese, existe el riesgo de pellizcarse o sufrir cortes en la mano.

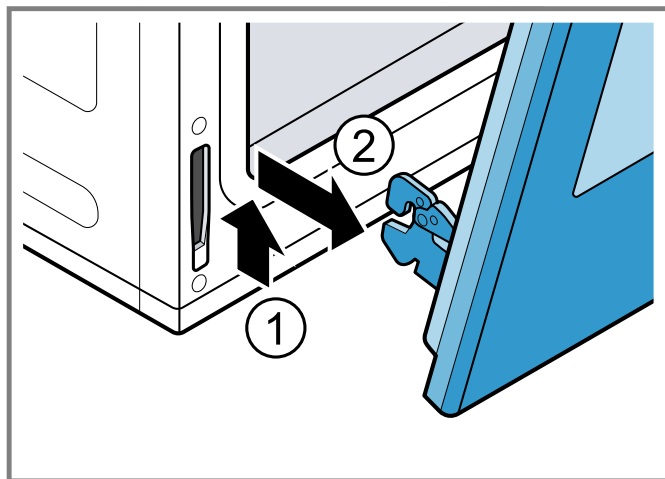
Cerrar la puerta del horno hasta que se enganche en las palancas de tope de la bisagra, lo que bloquea las bisagras en el ángulo adecuado para extraer la puerta.



- ✓ La puerta quedará abierta unas 7 pulgadas (18 cm) en la parte superior.

5. **⚠ PRECAUCIÓN** La puerta pesa mucho.
  - ▶ No sujetar la puerta por el asa.
  - ▶ Usar ambas manos para sujetarla con firmeza por ambos lados.

Mantener el ángulo de la puerta, elevar la puerta recta aprox. 3/4 pulgadas (2 cm) para sacar las bisagras de las ranuras y después jalarla hacia uno hasta que las bisagras hayan salido de la caja del horno.



6. Colocar la puerta en una ubicación adecuada y estable. No colocar la puerta recostada por el lado de su asa; esto podría provocar arañazos o abolladuras.

## 11 Instalación de los hornos en el gabinete

Seguir las presentes instrucciones para instalar el aparato en el gabinete.

### ⚠ PRECAUCIÓN

Se recomienda llevar ropa protectora durante el proceso de elevación.

- ▶ Se recomienda llevar guantes y ropa de manga larga para proteger las manos y los antebrazos contra la abrasión y posibles arañazos.
- ▶ Es preferible no llevar relojes ni joyas.
- ▶ Se aconseja llevar zapatos de trabajo para proteger los pies.

### ⚠ PRECAUCIÓN

NO intentar levantar la unidad sosteniendo el elemento calefactor superior del horno.

Se necesitan tres personas o el equipamiento adecuado para levantar de forma segura el horno de combinación hasta la abertura del gabinete.

### Requisitos

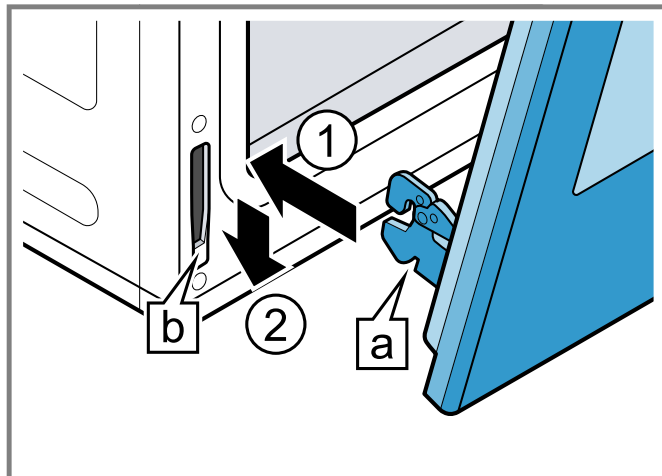
- Deben haberse verificado las medidas del gabinete y las conexiones eléctricas.
  - Debe haberse extraído la puerta del horno.  
→ "Extracción de la puerta del horno (en modelos convencionales con bisagra inferior)", *Página 69*
  - Deben haberse leído las recomendaciones de elevación → *Página 65*.
1. Colocar la unidad, sobre su base de embalaje, cerca de la abertura del gabinete, concretamente frente a la misma.
  2. Elevar o deslizar la unidad en el espacio del gabinete. No dejar que la base de la unidad entre en contacto con el piso.
  3. Guiar la unidad directamente al hueco del gabinete. Empujar la unidad hacia adentro hasta que el borde del horno sobresalga unas 2 pulgadas (5 cm) del gabinete.
  4. Comprobar que el conducto de cables no esté aprisionado entre el horno y la pared trasera del gabinete. En caso necesario, guiar el conducto de cables en el orificio de acceso de la pared del gabinete, de modo que no evite que la unidad se pueda empujar en la abertura del gabinete.
  5. Comprobar que el horno esté recto y nivelado.
  6. Empujar la unidad hasta el fondo del hueco del gabinete hasta que su borde frontal quede al mismo nivel que el frontal del gabinete.
  7. Instalar los tornillos proporcionados en los orificios roscados de la moldura.

Véase el folleto adjunto: MONTAJE DE LOS TORNILLOS.

### 11.1 Reinstalación de la puerta del horno

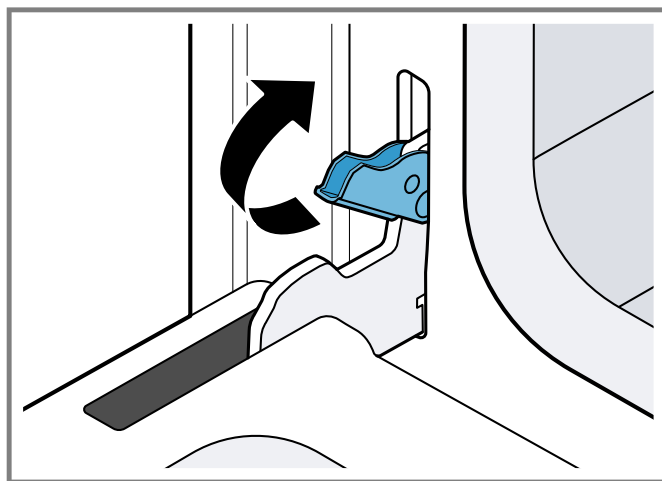
1. Sujetar la puerta firmemente con ambas manos. Agarrarla por cada lado, no por el asa.
2. Inclinar ligeramente la puerta hacia sí mismo en un ángulo tal que la puerta se abra unos 18 cm (7") por la parte superior.

3. Deslizar las bisagras **a** en las ranuras **b** hasta el fondo **1** y después bajar la puerta hacia abajo, en dirección recta **2**.



Puede ser necesario ajustar el ángulo de la puerta ligeramente para permitir que las bisagras encajen adecuadamente y la puerta baje hasta su lugar. La puerta debe bajar aproximadamente 2 cm (3/4") y detenerse; de no ser así, las bisagras no se han enganchado correctamente y la puerta podría caerse al soltarla.

4. Una vez que ambas bisagras estén totalmente encajadas, abrir con cuidado la puerta hasta que esté completamente abierta.
5. Presionar las palancas de ambas bisagras hacia arriba y adelante hasta que queden bloqueadas en la ranura y alineadas con el frente del cuerpo del horno.

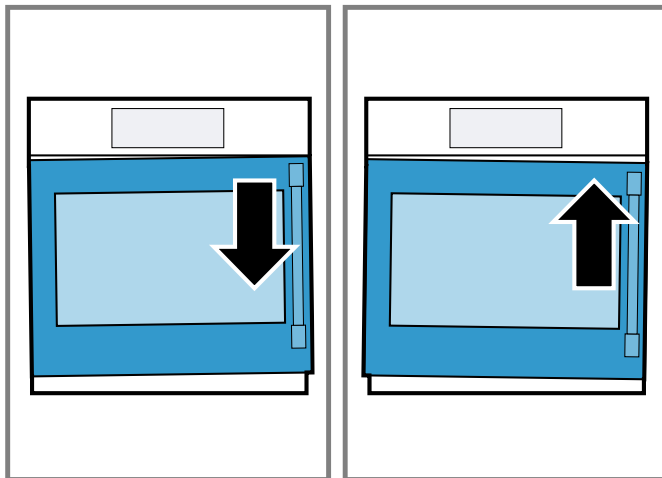


6. Cerrar y abrir la puerta lentamente para asegurarse de que esté bien colocada y de forma segura.

## 11.2 Ajuste de la alineación de la puerta (en puertas con bisagra lateral)

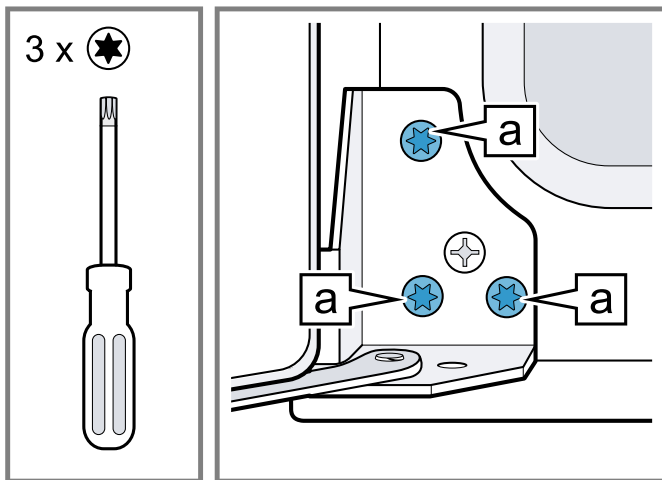
Una vez que la unidad esté completamente instalada en el gabinete, es posible ajustar la alineación de las puertas con bisagra lateral.

1. Comprobar si las puertas del horno están correctamente alineadas.

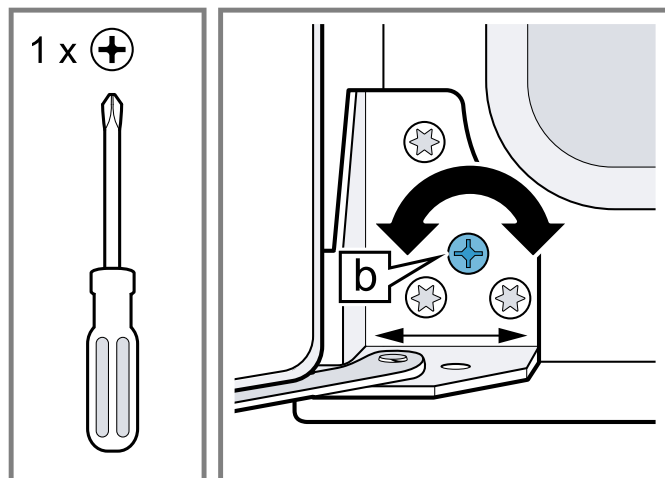


- Examinar el hueco de separación entre la parte superior de la puerta cerrada del horno y el panel de control. En hornos dobles, examinar también el hueco de separación entre la parte superior de la puerta cerrada del horno inferior y la puerta del horno superior. La separación debería ser uniforme de lado a lado.
  - La puerta debería cerrarse sola con suavidad cuando el rodillo encaja en el gancho al cerrarse la puerta.
  - Si se percibe alguna interferencia entre el gancho y la pieza receptora, significa que la puerta está demasiado alta. Es preciso bajar la puerta por el lado del cierre.
  - Si se percibe una protuberancia cuando el gancho entra en contacto con el rodillo de realineación, significa que la puerta está demasiado baja. Es preciso subir la puerta por el lado del cierre.
2. Abrir la puerta hasta un ángulo de aprox. 135 °.
  3. **Nota:** Todos los ajustes se pueden realizar utilizando solamente la bisagra inferior. La bisagra superior está fija y no se puede ajustar.

Con una o dos vueltas completas de desarmador Torx T-20, aflojar los tres (3) tornillos [a] de la bisagra inferior.



4. Con un desarmador de cabeza Phillips, girar la leva [b] hacia el lado derecho o izquierdo para ajustar la posición de la bisagra en la dirección deseada.



**Nota:** Un milímetro de movimiento de la bisagra (a la izquierda o a la derecha) hará que la puerta se mueva hacia arriba o hacia abajo aproximadamente 1.5 mm en el cierre.

5. Volver a apretar los tornillos y cerrar la puerta para comprobar si cierra correctamente. Tener cuidado de no apretarlos en exceso.
6. Comprobar que la puerta está bien alineada. Repetir el proceso de ajuste en caso necesario.

## 12 Conexión eléctrica

Leer las presentes instrucciones para conectar con seguridad el aparato al suministro eléctrico.

### 12.1 Requisitos eléctricos

Es preciso asegurarse de que la instalación eléctrica sea compatible con los siguientes requisitos.

El aparato debe recibir una voltaje y una frecuencia adecuadas y debe estar conectado a un circuito dedicado independiente y con su correcta conexión a tierra, protegido por un breaker o un fusible. Para saber qué tipo de breaker o de fusible requiere cada modelo, véase la placa de características, en la que se menciona el

consumo de potencia en vatios, y consultar la tabla de clasificaciones para conocer el amperaje necesario del breaker o del fusible.

Todos los modelos de hornos que figuran en la cubierta frontal del presente manual de instalación cuentan con una clasificación doble, y están diseñados para su conexión a una red de alimentación monofásica de 4 hilos (4 cables) de 208 V o 240 V CA, 60 Hz.

Modelo	Circuito requerido	Vatios @ 240 V	Circuito requerido	Vatios @ 208 V
HBL5351UC, HBL5344UC	30 A	6300	30 A	4800
HBL5451UC, HBN8451UC, HBL8454UC, HBL8453UC, HBL8443UC, HBL8444LUC, HBL8444RUC, HBLP454UC, HBLP451UC, HBLP451LUC, HBLP451RUC	30 A	6400	30 A	4800
HBL5551UC	40 A	6000	30 A	4500
HBL5651UC, HBL8651UC, HBL8642UC	40 A	8500	40 A	6500
HBL57M52UC, HBL87M53UC	40 A	8000	40 A	6500
HBL5754UC, HBL8753UC, HBL8743UC, HBLP752UC	40 A	9600	40 A	8400
HBN8654UC	40 A	8600	40 A	6600
HBLP651UC, HBLP651LUC, HBLP651RUC	40 A	9200	40 A	7000
HSLP751UC	40 A	8400	40 A	6400

### 12.2 Ubicación de la toma de corriente

Antes de instalar el aparato, comprobar la ubicación de la toma de corriente.

- Si el suministro eléctrico se ubica en la abertura del gabinete, es preciso realizar la conexión eléctrica antes de colocar el horno en la abertura.
- Si el suministro eléctrico se ubica en un gabinete adyacente, la conexión eléctrica puede realizarse después de colocar el horno en la abertura.

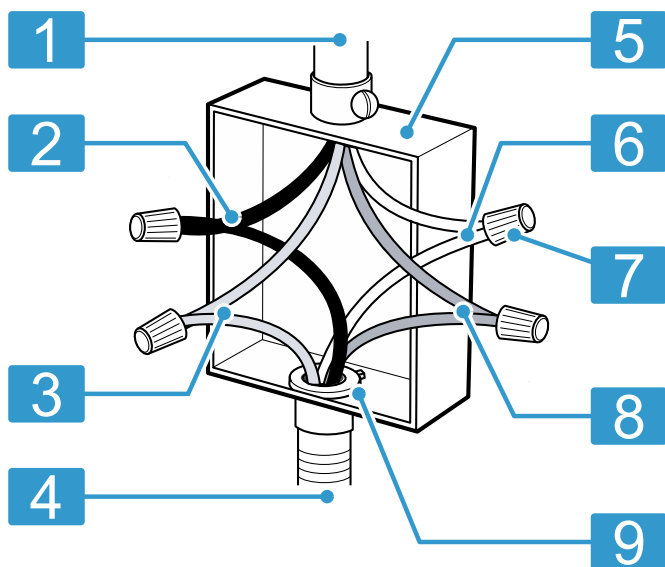
### 12.3 Enrutado del tubo pasacables eléctrico

#### Requisitos

- Se debe haber preparado un orificio en el gabinete para enrutar el conducto eléctrico del horno a la caja de conexiones.
- Debe garantizarse que sea posible acceder para tareas de mantenimiento. No se debe acortar el tubo pasacables eléctrico. Enrutar el tubo pasacables eléctrico de modo que se pueda extraer temporalmente el horno.
- ▶ El conducto de cables de electricidad gira en el punto en el que se conecta al horno. Girar el conducto de cables de electricidad hacia arriba o hacia abajo y dirigirlo a través del orificio preparado en el gabinete para ese propósito.

## 12.4 Instalación de una conexión de cuatro cables

1. **IMPORTANTE:** utilizar la conexión de cuatro cables del suministro eléctrico doméstico en EE. UU. en aquellas ubicaciones en que las normativas locales no permitan la conexión del neutro a tierra, en nuevas instalaciones de circuitos derivados (1996 NEC), caravanas y vehículos recreativos, nuevas construcciones y en Canadá.

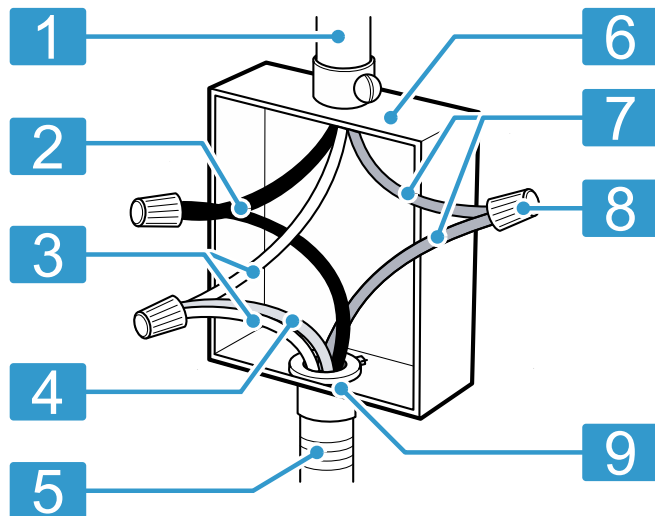


1	Cable de alimentación eléctrica doméstica
2	Cables negros
3	Cables rojos
4	Conducto flexible de cuatro cables procedente del horno
5	Caja de conexiones certificada UL o aprobada CSA
6	Cables blancos
7	Conectores de cable con certificación UL
8	Cable verde (o desnudo) de conexión a tierra
9	Tubo conector con homologación CSA o certificación UL

2. Conectar el cable rojo del horno al cable rojo del suministro eléctrico (cable con corriente).
3. Conecte el cable negro del horno al cable negro del suministro eléctrico (cable con corriente).
4. Conectar el cable neutro blanco del horno al cable neutro blanco del suministro eléctrico (no al cable de conexión a tierra desnudo o verde).
5. Conectar el cable de conexión a tierra verde del horno al cable de conexión a tierra desnudo o verde del suministro eléctrico.

## 12.5 Instalación de una conexión de tres cables

1. **IMPORTANTE:** utilizar la conexión de tres cables para el suministro eléctrico del hogar solo en aquellas ubicaciones en donde las normativas locales permitan una conexión de ese tipo.



1	Cable de alimentación eléctrica doméstica
2	Cables negros
3	Cables blancos
4	Cable verde (o desnudo) de conexión a tierra (procedente del horno)
5	Conducto flexible de cuatro cables procedente del horno
6	Caja de conexiones certificada UL o aprobada CSA
7	Cables rojos
8	Conectores de cable con certificación UL
9	Tubo conector con homologación CSA o certificación UL

2. Conectar el cable rojo del horno al cable rojo en la caja de conexiones.
3. Conectar el cable negro del horno al cable negro en la caja de conexiones.
4. Conectar el cable de conexión a tierra verde junto con el cable blanco del horno al cable neutro desnudo, blanco o verde en la caja de conexiones.

## 13 Comprobación del funcionamiento

Una vez completados los pasos de instalación, comprobar si la unidad funciona correctamente.

1. Encender la energía eléctrica en el breaker.



2. Para comprobar el funcionamiento del horno, seleccionar el modo **Bake**. Véase el manual de usuario para consultar las instrucciones de funcionamiento detalladas.
3. Comprobar que se enciende la luz del horno y que el horno comienza a precalentar.
4. Para comprobar el funcionamiento del cierre de la puerta, seleccionar el modo **Self Clean**. Confirmar que la puerta se bloquea cuando aparece el símbolo de bloqueo en el display.

## 14 Servicio de atención al cliente

Si tiene preguntas relativas al funcionamiento, si no puede subsanar una avería o si el aparato debe ser reparado, diríjase a nuestro servicio de atención al cliente.

En cada reparación cubierta por la garantía, nos aseguramos de que su aparato sea reparado con repuestos originales por un proveedor de servicio capacitado y autorizado. Solo utilizamos repuestos originales para todos los tipos de reparaciones.

Las informaciones detalladas sobre el periodo de validez de la garantía y las condiciones de garantía las podrá encontrar en nuestras condiciones de garantía, con su distribuido o en nuestra página web.

Cuando se ponga en contacto con el servicio de atención al cliente, no olvide indicar el número de modelo (E-Nr.) y el número de fabricación (FD) de su aparato.

El presente producto contiene fuentes de luz de la clase de eficiencia energética G. Las fuentes de luz se encuentran disponibles como repuesto y su sustitución solo la puede llevar a cabo personal cualificado.

USA:

1-800-944-2904

[www.bosch-home.com/us/owner-support/get-support](http://www.bosch-home.com/us/owner-support/get-support)

[www.bosch-home.com/us/shop](http://www.bosch-home.com/us/shop)

CA:

1-800-944-2904

[www.bosch-home.ca/en/service/get-support](http://www.bosch-home.ca/en/service/get-support)

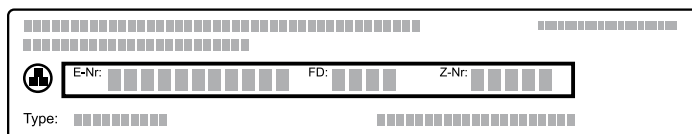
[www.bosch-home.ca/en/service/cleaners-and-accessories](http://www.bosch-home.ca/en/service/cleaners-and-accessories)

Aquí podrá encontrar ayuda para la conexión con Home Connect™:

[www.home-connect.com/us/en/help-support/set-up](http://www.home-connect.com/us/en/help-support/set-up)

### 14.1 Número de modelo (E-Nr.) y número de fabricación (FD)

El número de modelo (E-Nr.) y el número de fabricación (FD) se encuentran en la placa de características del aparato.



Para volver a encontrar rápidamente los datos del aparato o el número de teléfono del servicio de atención al cliente, puede anotar dichos datos.

### 14.2 Ubicación de la placa de características del aparato

La placa de características del aparato se encuentra:

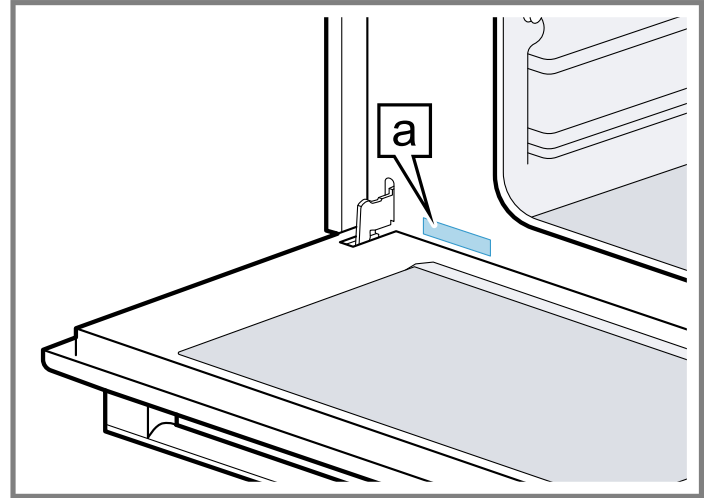
- a** Placa de características

### Placa de características del microondas y del horno rápido

La placa de características se encuentra en el interior de la puerta del aparato.

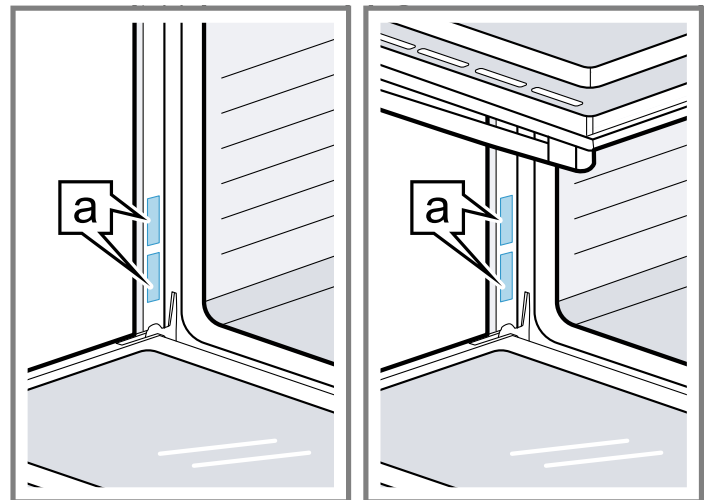
### Placa de características del horno de aire caliente y vapor

La placa de características se encuentra en el lateral izquierdo de la moldura de la puerta.



### Placa de características del horno individual y doble

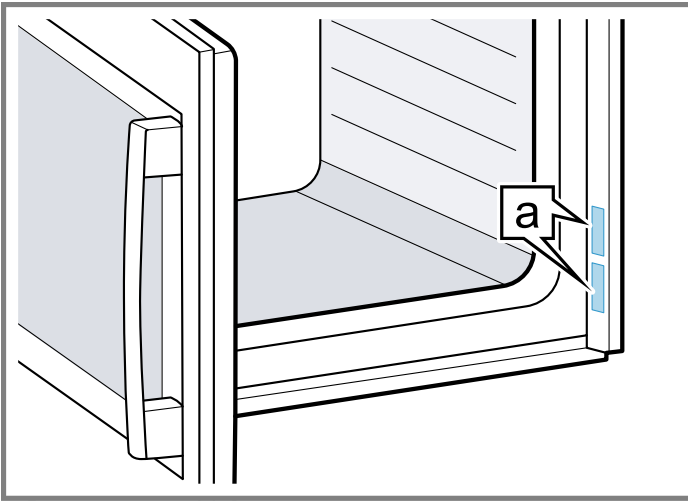
La placa de características se encuentra en el lateral izquierdo de la moldura de la puerta.



### Placa de características del horno individual con bisagra lateral

La placa de características se encuentra en el lateral de la moldura de la puerta, frente a las bisagras.













## Thank you for buying a Bosch Home Appliance!

Register your new device on MyBosch now and profit directly from:

- **Expert tips & tricks for your appliance**
- **Warranty extension options**
- **Discounts for accessories & spare-parts**
- **Digital manual and all appliance data at hand**
- **Easy access to Bosch Home Appliances Service**

Free and easy registration – also on mobile phones:  
**[www.bosch-home.com/welcome](http://www.bosch-home.com/welcome)**

**BOSCH**  
HOME APPLIANCES  
**SERVICE**

## Looking for help? You'll find it here.

Expert advice for your Bosch home appliances, help with problems or a repair from Bosch experts.

Find out everything about the many ways Bosch can support you:

**[www.bosch-home.com/service](http://www.bosch-home.com/service)**

Contact data of all countries are listed in the attached service directory.

### **BSH Home Appliances Corporation**

1901 Main Street, Suite 600

Irvine, CA 92614

USA

[www.bosch-home.com](http://www.bosch-home.com)

1-800-944-2904

© 2021 BSH Home Appliances

Corporation



**8001235124** (010927)

en-us, fr-ca, es-mx