

27" Single Wall Oven

800 Series – Stainless Steel HBN8451UC



HBN8451UC
Stainless Steel

The Bosch wall oven installs flush and features a QuietClose® door.

Features & Benefits

Dampened hinges softly and quietly guide the QuietClose® door shut.

A full-extension telescopic rack offers safe access to the oven cavity.

Touch control with SteelTouch™ buttons makes operating the oven easier.

Convection Pro combines a third heating element with a back fan for even browning and time savings by using multiple racks at one time.

The wall oven is designed to be installed flush with cabinetry.

Bosch wall ovens are compatible with most competitors' cutouts.

General Properties

Oven modes	Bake, Variable Broil (hi & low), Roast, Warm, Sabbath, Proof Dough, Convection Bake, Convection Broil, Convection Roast, Pizza, Convection Multi-Rack, Convection Conversion, Temperature Probe, Fast Preheat
Cleaning type	Self Clean
Telescopic rack	1
Illumination type	Incandescent
Interior lights	2

Oven Performance

Bake / broil element	2,400 / 3,800 W
Convection element	2,000 W

Technical Details

Watts	6,325 W
Circuit breaker	30 A
Volts	240 / 208 V
Frequency	60 Hz
Power cord length	60"
Plug type	Fixed Connection, No Plug
Energy source	Electric



Dimensions & Weight

Overall appliance dimensions (HxWxD)	29" x 26 3/4" x 24 1/2"
Required cutout size – Standard (HxWxD)	27" – 28 5/8" x 25 1/2" x 23 1/2"
Required cutout size – Flush (HxWxD)	29 1/8" x 27" x 24 1/2"
Oven cavity size	3.9 cu. ft.
Overall oven interior dimensions (HxWxD)	17 13/16" x 21 1/16" x 18"
Usable oven interior dimensions (HxWxD)	12 5/16" x 20 1/4" x 15 1/4"
Net weight	127 lbs

Accessories—Included

Included	1 Telescopic and 2 Standard Oven Racks, Temperature Probe
----------	---



† To be fully ADA compliant, these units must be installed according to ADA guidelines. Please check current ADA requirements for guidance on installation.

Accessories: To purchase Bosch accessories, cleaners & parts please visit www.bosch-home.com/us/store or call 1-800-944-2904 (Mon to Fri 5 am to 6 pm PST, Sat 6 am to 3 pm PST).

Notes: All height, width and depth dimensions are shown in inches. BSH reserves the absolute and unrestricted right to change product materials and specifications, at any time, without notice. Consult the product's installation instructions for final dimensional data and other details prior to making cutout.

Warranties: Please see Use & Care manual or Bosch website for statement of limited warranty.

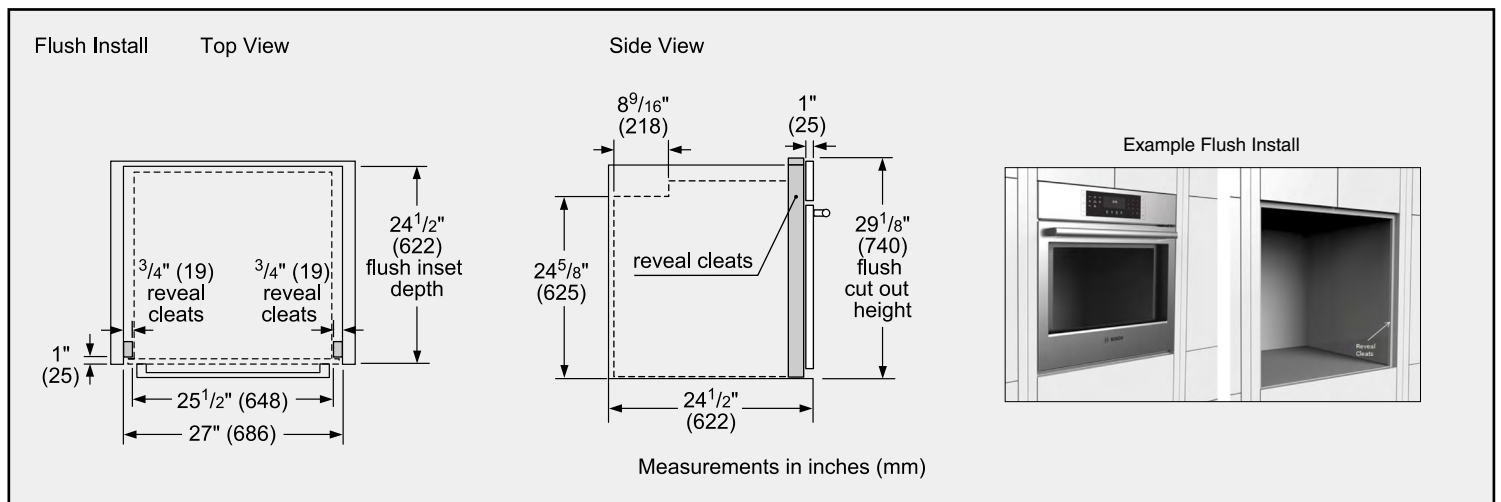
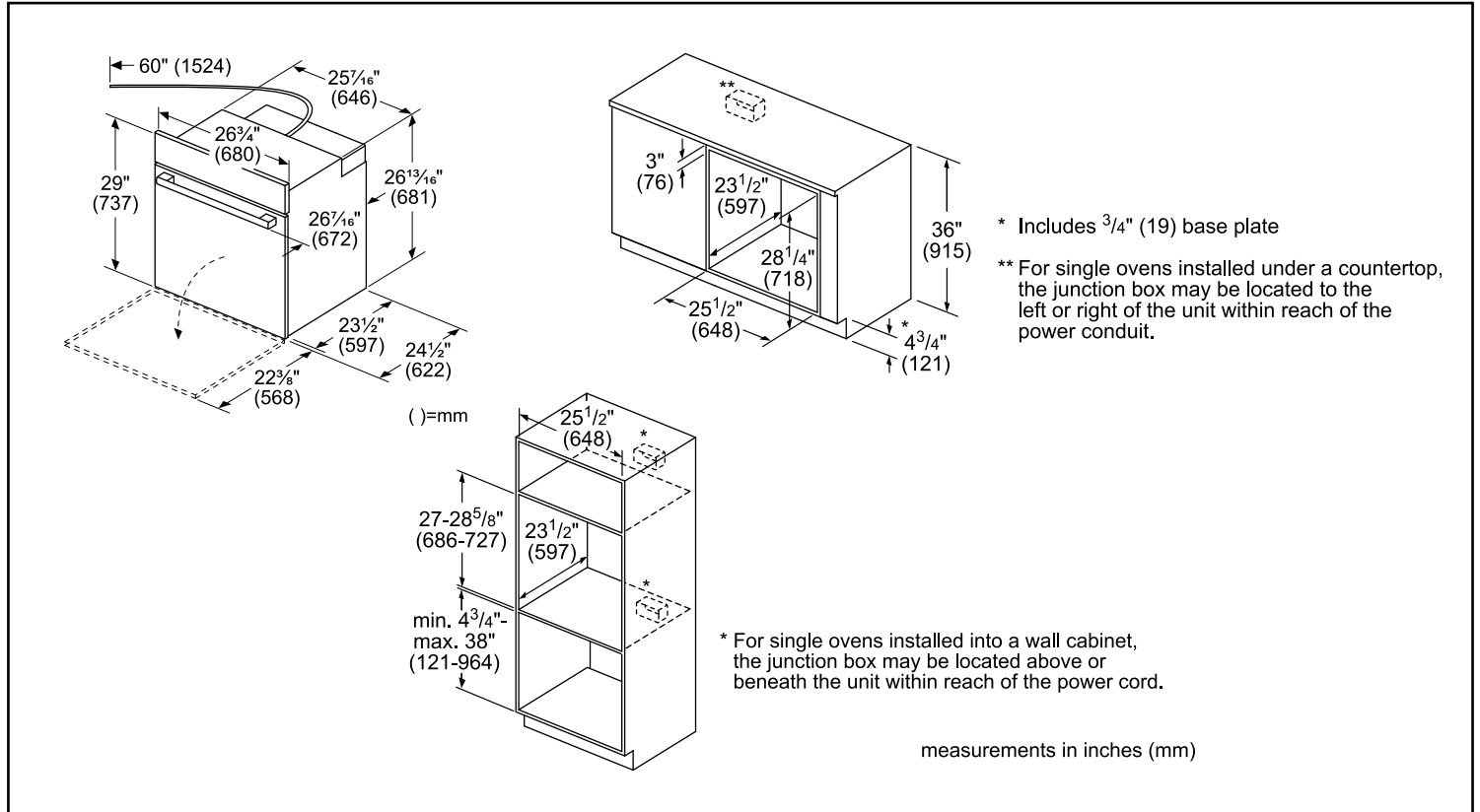
For more information on our entire line of products, go to www.bosch-home.com/us or call 1-800-944-2904

© BSH Home Appliances Corporation. All rights reserved. Bosch is a registered trademark of Robert Bosch GmbH.

27" Single Wall Oven

800 Series – Stainless Steel HBN8451UC

Installation Details



Accessories: To purchase Bosch accessories, cleaners & parts please visit www.bosch-home.com/us/store or call 1-800-944-2904 (Mon to Fri 5 am to 6 pm PST, Sat 6 am to 3 pm PST).

Notes: All height, width and depth dimensions are shown in inches. BSH reserves the absolute and unrestricted right to change product materials and specifications, at any time, without notice. Consult the product's installation instructions for final dimensional data and other details prior to making cutout.

Warranties: Please see Use & Care manual or Bosch website for statement of limited warranty.

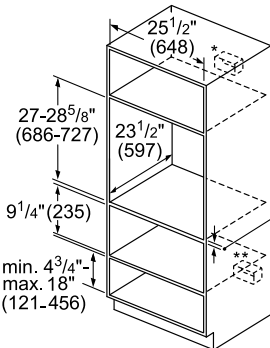
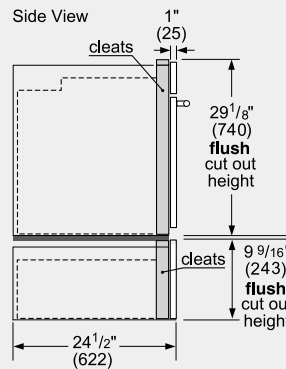
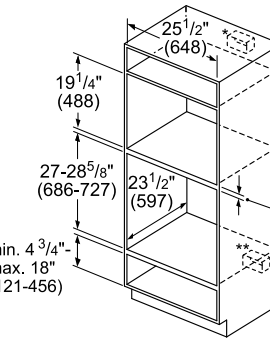
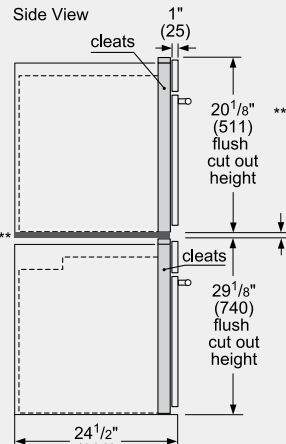
For more information on our entire line of products, go to www.bosch-home.com/us or call 1-800-944-2904

© BSH Home Appliances Corporation. All rights reserved. Bosch is a registered trademark of Robert Bosch GmbH.

27" Single Wall Oven

800 Series – Stainless Steel HBN8451UC

Installation Details

<p>Standard Installation 27" Single Oven over Warming Drawer</p>  <p>* Wall oven junction box may be located above or right or left of the unit within reach of the power conduit.</p> <p>** Electrical hook up may be located below (depending on space) or next to the drawer within the reach of the power cord.</p> <p>minimum $\frac{3}{4}$" (18mm) required between cutouts</p> <p>measurements in inches (mm)</p>	<p>Flush Installation Single Oven over Warming Drawer</p> <p>Side View</p>  <p>Single Wall Oven</p> <p>* IMPORTANT: base has to be able to support oven weight. Please check oven manual for minimum weight requirements.</p> <p>minimum $\frac{1}{2}$" (13) required between cutouts*</p> <p>measurements in inches (mm)</p>
<p>Standard Installation 27" Speed Oven or Microwave over Single Oven</p>  <p>* Junction box may be located above or next to the unit within reach of the power cord.</p> <p>** Junction box may be located below (depending on space) or next to the unit within reach of the power cord.</p> <p>Minimum dimension between cut outs:</p> <ul style="list-style-type: none"> • 1" (25 mm) for wall oven cut out height of 28 $\frac{3}{8}$" • 2 $\frac{5}{8}$" (67 mm) for wall oven cut out height of 27" <p>measurements in inches (mm)</p>	<p>Flush Installation Speed Oven or Microwave over 27" Single Oven</p> <p>Side View</p>  <p>Speed Oven or Microwave</p> <p>*** Flush installation requires a base plate underneath the body: 27" Products – Dimensions: H $\frac{9}{16}$" (8) x W 25 $\frac{1}{2}$" (648) x D 22 $\frac{1}{2}$" (571)</p> <p>minimum $\frac{1}{2}$" (13) required between cutouts*</p> <p>Wall Oven</p> <p>* IMPORTANT: Base has to be able to support oven weight. Please check oven manual for minimum weight requirements.</p> <p>measurements in inches (mm)</p>

Accessories: To purchase Bosch accessories, cleaners & parts please visit www.bosch-home.com/us/store or call 1-800-944-2904 (Mon to Fri 5 am to 6 pm PST, Sat 6 am to 3 pm PST).

Notes: All height, width and depth dimensions are shown in inches. BSH reserves the absolute and unrestricted right to change product materials and specifications, at any time, without notice. Consult the product's installation instructions for final dimensional data and other details prior to making cutout.

Warranties: Please see Use & Care manual or Bosch website for statement of limited warranty.

For more information on our entire line of products, go to www.bosch-home.com/us or call 1-800-944-2904

© BSH Home Appliances Corporation. All rights reserved. Bosch is a registered trademark of Robert Bosch GmbH.