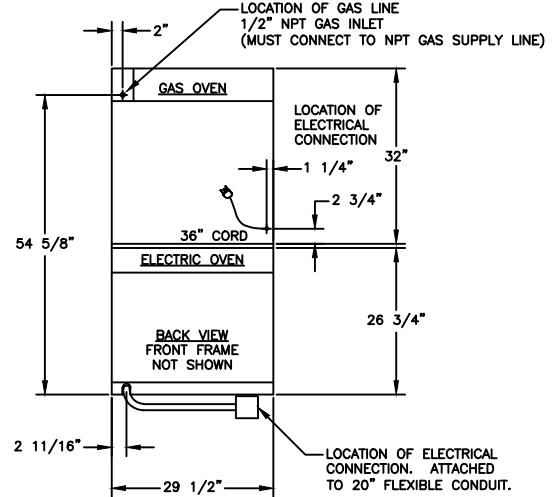
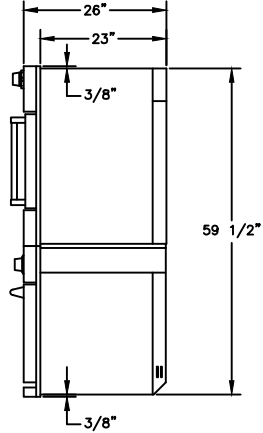
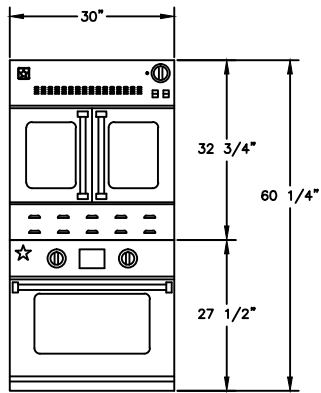


BLUESTAR STACKED WALL OVEN 30" - GAS ABOVE ELECTRIC



SPECIFICATIONS GAS OVEN:

- OVEN INTERIOR: ----- 26.25"W x 20"D x 15"H
- OVEN BURNER RATING ----- 25,000 BTU
- OVEN INFRARED BROILER RATING -- 15,000 BTU
- OVEN HEAT ASSIST ELEMENT ----- 3,000 BTU

- SINGLE OVEN:
ELECTRICAL REQUIREMENTS ----- 120V, 60Hz, 15 AMPS, 1 PH
(UNIT MUST BE ON A NON-GFI, DEDICATED OUTLET)

- OPERATING GAS PRESSURE ----- NAT: 5.0" WC
LP: 10.0" WC

SPECIFICATIONS ELECTRIC OVEN:

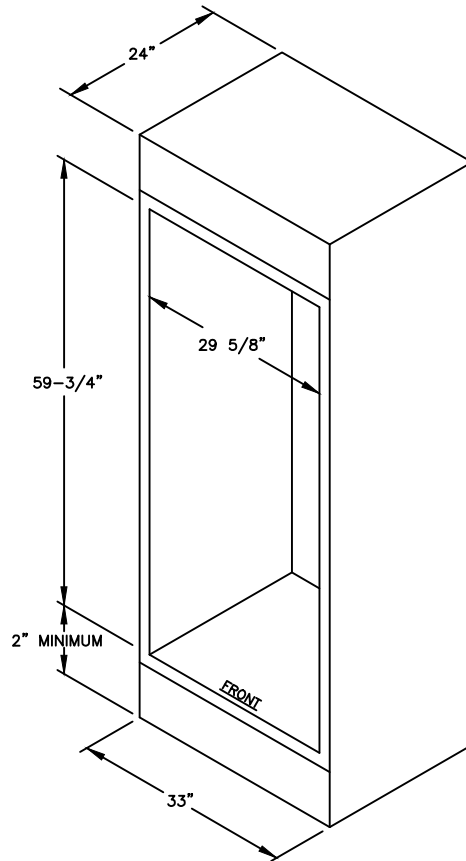
- OVEN INTERIOR:
30" OVEN: ----- 26.25"W x 20"D x 15"H

- OVEN BAKE ELEMENT RATING ----- 2500 WATTS
- OVEN BROILER ELEMENT RATING -- 5000 WATTS
- OVEN HEAT ASSIST ELEMENT ----- 1800 WATTS

- ELECTRICAL REQUIREMENTS:
SINGLE OVEN ----- 240V, 60Hz, 30 AMPS, 1 PH
(UNIT MUST BE ON A NON-GFI, DEDICATED OUTLET)

OPTIONS

- LEFT OR RIGHT SWING DOOR
- ADDITIONAL OVEN RACK
- FULL EXTENSION OVEN RACK
- CUSTOM COLOR



RECOMMENDED CABINET WIDTH
FOR 30" OVEN IS 33"
CLEARANCES

VISIT www.bluestarcooking.com FOR CUSTOM CONFIGURATIONS