

INSTALLATION MANUAL



BLUESTAR[®]

TOUCH
Induction Cooktop
701123

BlueStar® TOUCH Induction Cooktop Installation Manual

Model BSP36INDTOUCH

Fitting and Installing



- Do not change or alter the appliance.
- Do not use any extension cable to connect it.
- The appliance is not intended to be operated by means of external timer or separate remote control system.
- The installation and connecting of the appliance must be done by approved specialists. The manufacturer cannot be responsible for damage caused by installation or connecting errors.
- To be used, the appliance must be well-equipped and installed in a kitchen unit and an adapted and approved work surface.
- This domestic appliance is exclusively for the cooking of food, to the exclusion of any other domestic, commercial or industrial use.
- The cabinetry or the support in which the cooktop is to be fitted, as well as the edges of cabinet, the laminate coatings and the glue used to fix them, must be able to resist temperatures of up to 212° F / 100° C.
- The strips on the wall edges need to be heat-resistant.
- If a drawer is placed under the unit, avoid putting flammable objects in this drawer (e.g. sprays) or non-heat-resistant objects.
- Materials which are often used to make countertops expand on contact with water. To protect the cut-out edge, apply a coat of varnish or special sealant. It is recommended to apply an adhesive joint around the cooktop to prevent any leakage into the supporting cabinetry. The gasket guarantees a correct seal when used in conjunction with smooth worktop surfaces.
- The space between the cooktop and the range hood placed above must respect the specifications of the hood manufacturer.
- The connection cable cannot be subjected to mechanical constraint (e.g. a drawer) after construction.



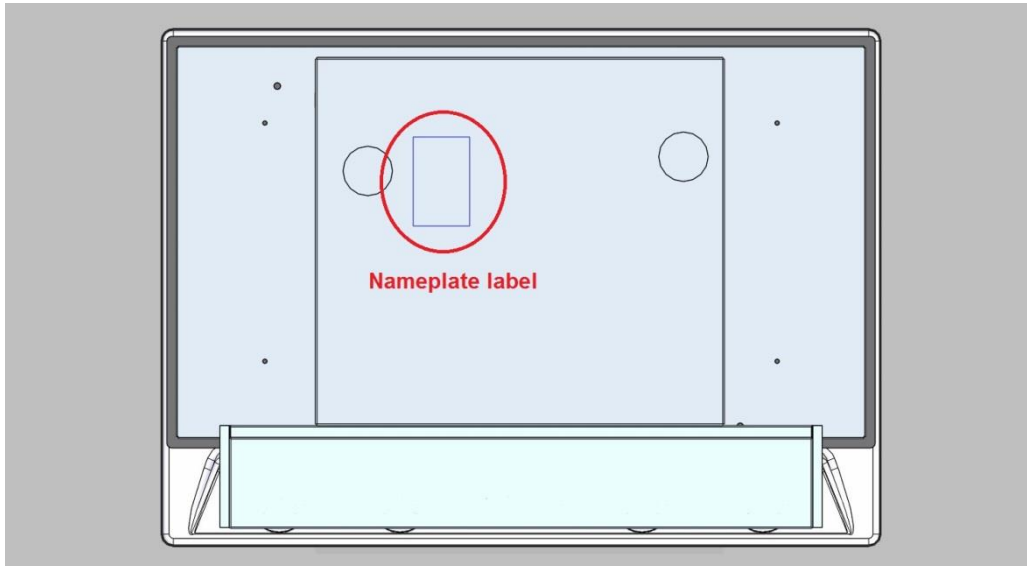
Use only cooktop guards designed by the manufacturer of the cooking appliance or indicated by the manufacturer of the appliance in the instructions for use as suitable or cooktop guards incorporated in the appliance. The use of inappropriate guards can cause accidents.



Steam may damage electronic appliances. The appliance cannot be installed or used above a dishwasher or a dryer or a non-ventilated oven.

Nameplate Location

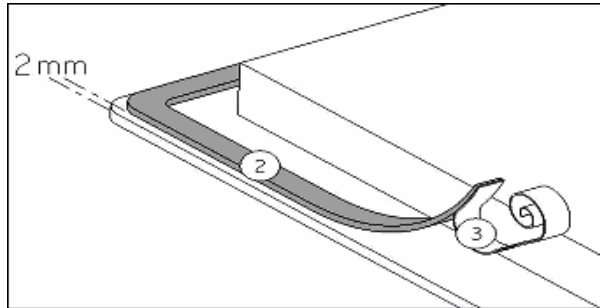
The appliance's product identification tag is located underneath the appliance, as shown below. The serial number of your appliance can be found on that label. Write down this number and keep it with the Use & Care manual.



INSTALLATION SPECIFICATIONS – NON-FLUSH INSTALLATION

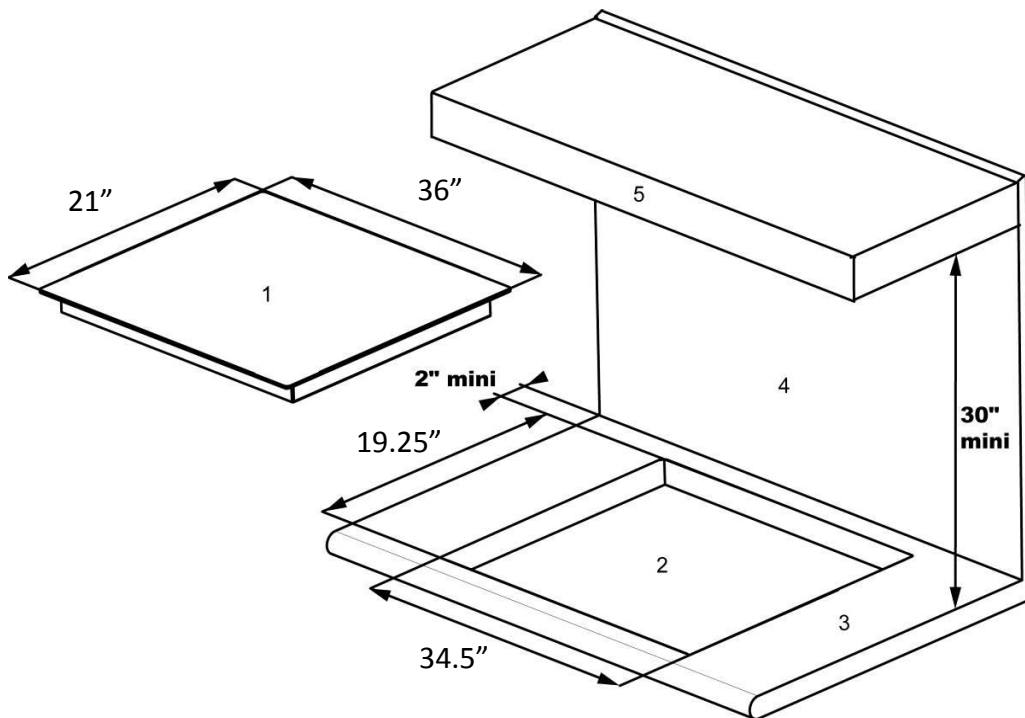
Apply Gasket:

The gasket supplied with the appliance avoids all contact of liquids with the cabinet. Installation must be done carefully, and reflect the below drawing.



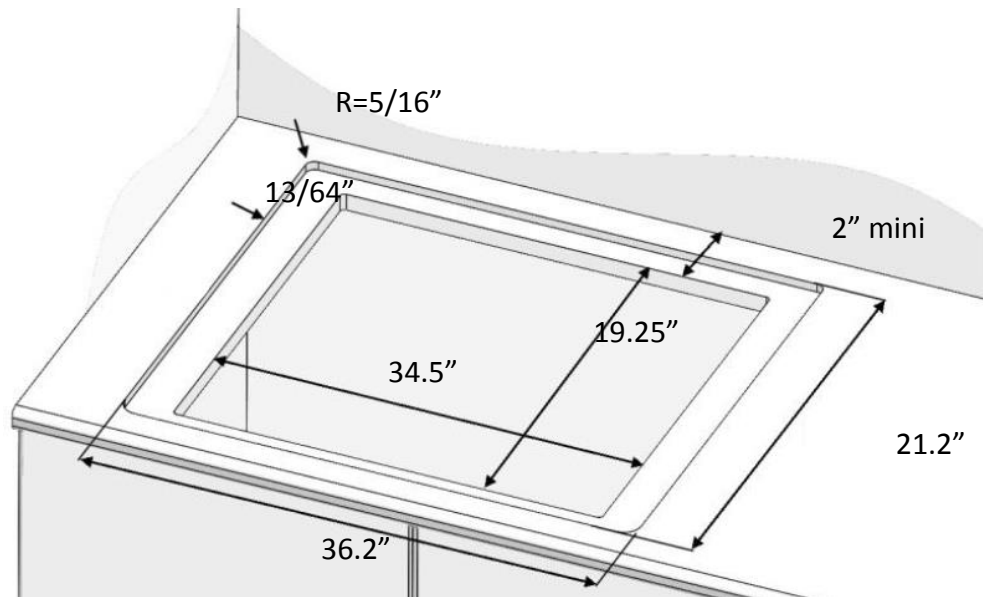
Stick the gasket (2) $\frac{3}{64}$ " from the external edge of the glass, after removing the protection sheet (3).

Cut size		Glass size		
Width	Depth	Width	Depth	Thickness
34.5"	19.25"	36"	21"	5/32"

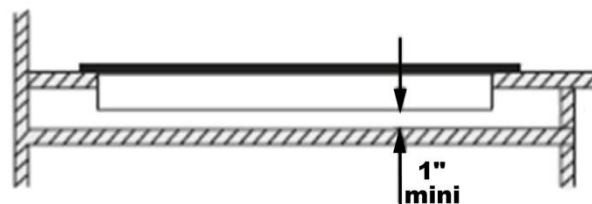


1. Induction unit
2. Cut out
3. Counter top
4. Building back wall
5. Top cabinet

INSTALLATION SPECIFICATIONS – FLUSH INSTALLATION



- Ensure that there is a distance of 2" between the appliance and the wall or sides.
- Ideally the appliance should be installed with plenty of space on either side. There may be a wall at the rear and tall units or a wall at one side. On the other side, however, no unit or divider must stand higher than the appliance.
- The piece of furniture or the support in which the appliance is to be fitted, as well as the edges of furniture, the laminate coatings and the glue used to fix them, must be able to resist temperatures of up to 212 °F.
- The mural rods of edge must be heat-resisting.
- Do not to install the appliance to the top of a not ventilated oven or a dishwasher.
- To guarantee under the bottom of the hob casing a space of 1" to ensure a good air circulation of the electronic device.



- If a drawer is placed under the work, avoid to put into this drawer flammable objects (for example: sprays) or not heat-resistant objects.
- Materials which are often used to make worktops expand on contact with water. To protect the cut out edge, apply a coat of varnish or special sealant. Particular care must be given to applying the adhesive joint supplied with the hob to prevent any leakage into the supporting furniture. This gasket guarantees a correct seal when used in conjunction with smooth work top surfaces.
- The safety gap between the hob and the cooker hood placed above must respect the indications of the hood manufacturer. In case of absence of instructions respect a distance minimum of 29 15/16".
- The connection cord should be subjected, after building, with no mechanical constraint, such for example of the fact of the drawer.

INSTALLATION INSTRUCTIONS

Electrical Connection

- The installation of this appliance and the connection to the electrical network must be completed by a certified electrician.
- The electrical parts should always be protected after the installation.
- The appliance should be connected using a multipolar circuit breaker.
- If the appliance is not fitted with an accessible plug, disconnecting methods must be incorporated in the fixed installation, in accordance with the installation regulations.
- The inlet hose must be positioned so that it does not touch any of the hot parts of the cooktop or oven.

CAUTION!

This appliance must only be connected to a network 230 VAC~ 50/60 Hz. Always connect the ground wire.

Mains	Connection	Cable Diameter	Protection Calibre
230 VAC~ 50/60Hz	2 Phases	3 x 10 AWG (supplied)	50 A

Connecting the Cooktop

Connect the black and white wires to the 2 phases (230 VAC), and the green wire to the ground.


CAUTION!

Make sure that the cables are correctly inserted and tightly screwed down.

BlueStar® cannot be held responsible for any incident resulting from an incorrect connection, or which could arise from the use of an appliance which has not been grounded or has been equipped with a faulty ground connection.

TROUBLESHOOTING

Check these helpful tips for any problems with your cooktop. If you need additional help call BlueStar® Customer Service at 800-449-8691.

PROBLEM	POSSIBLE CAUSE	SOLUTION
The cooktop or the heat zones does not start.	<ul style="list-style-type: none"> • The cooktop has a poor connection to the electrical network. • The safety fuse is cut off. • The lock function is activated. • The sensitive touch keys are covered with grease or water. • An object is placed on a sensitive touch key. 	
One or all of the heat zones are not operating.	<ul style="list-style-type: none"> • The safety system (lock) is engaged. • The safety system automatically engages if the heat zone isn't turned off. • One or more sensitive touch keys are covered. • The pot or pan is empty and its bottom overheated. • The cooktop automatically reduced the power level (see Booster function) and turned off to prevent overheating. 	
The display area shows [u]	<ul style="list-style-type: none"> • There is no cookware on the heat zone. • The cookware is not compatible with induction. • The cookware's base diameter is too small. 	
The display area shows [E]	<ul style="list-style-type: none"> • The electrical system is defective. 	<ul style="list-style-type: none"> • Disconnect and reconnect the cooktop. • Call service.
The cooling fan is still operating after switching off the cooktop.	<ul style="list-style-type: none"> • This is not a failure. The fan operates automatically to protect the electronic device. 	<ul style="list-style-type: none"> • The fan stops automatically.
The Heat Accelerator does not start.	<ul style="list-style-type: none"> • The heat zone is still hot [H]. • The highest Booster level is set [9]. 	
The display area shows [U] or [u].	<ul style="list-style-type: none"> • See the Keep Warm function section 	
The display area shows [] or [Er03].	<ul style="list-style-type: none"> • An object or liquid covers the controls. 	
The display area shows [E2]	<ul style="list-style-type: none"> • The cooktop is overheated. 	<ul style="list-style-type: none"> • Allow the cooktop to cool.
The display area shows [E8]	<ul style="list-style-type: none"> • The air inlet of the ventilator is obstructed. 	<ul style="list-style-type: none"> • Remove the obstruction.
The display area shows [U400]	<ul style="list-style-type: none"> • The cooktop is not connected to the electrical network. 	<ul style="list-style-type: none"> • Check the connection and reconnect the cooktop.
The display area shows [Er47]	<ul style="list-style-type: none"> • The cooktop is not connected to the electrical network. 	<ul style="list-style-type: none"> • Check the connection and reconnect the cooktop.
The display area shows [II]	See the Stop & Go section	

PERFORMANCE CHECKLIST

This checklist has been developed to assure proper installation of your appliance.

To validate your warranty you must mail or submit online this form within 15 days of installation and a copy of your receipt to: Warranty Department, Prizer-Painter Stove Works Inc., 318 June Avenue Blandon, PA 19510 or www.bluestarcooking.com/support/product-registration/.

Customer Information (Please Print)

Name: _____

Address: _____

City: _____

State, Zip Code: _____

E-mail: _____

Telephone: _____

Dealer: _____

Product Information (Please Print)

Model No: _____

Serial No: _____

Purchase Date: _____

Installation Date: _____

Installer's Name: _____

Company: _____

Telephone: _____

CHECK ALL THAT APPLY

Appearance and Aesthetics

- Exterior
- Top Section

Installation

- Proximity to cabinets
- Level
- Ventilation system
- Read User Manual
- Review safety instructions

Electrical Connection

- Correct voltage
- Grounded outlet
- Polarized outlet
- No GFCI

Controls

- Thermostats