

**24" 2.3 cu.ft. Compact Front Load Washer, ENERGY STAR®****BLWM242300SWG****Key Features & Benefits****ENERGY STAR®**

Blomberg believes that conscious living should extend to clothing care. That's why we bring intelligent energy and water conservation to the laundry room. All our washers are ENERGY STAR® certified and feature automatic water adjustment for every load, ensuring efficiency and sustainability.

**Quick Wash**

When time is tight and you need your outfit washed in a hurry, Blomberg's Quick Wash Cycle delivers super-fast results for smaller loads—so you can move on without worry.

**Large Capacity Washers**

This Large Capacity Washer lets you clean more in a single load, saving both time and energy while delivering perfect washing results.

**Connected Laundry - Wi-Fi Enabled**

Blomberg's Wi-Fi Enabled Washers allow you to control and monitor your laundry remotely via a smartphone app, offering ultimate convenience and flexibility from anywhere, anytime.

**GENERAL PROPERTIES**

Drum Material	Stainless Steel
Style	Front Load
Capacity	2.3 cu. ft.
Load Capacity	10 kg
Connectivity	WiFi via HomeWhiz
Stackable	Yes
Matching Dyer	BLDV243700SEWG

**MAIN FEATURES**

Maximum Spin Speed	1400 RPM
Variable Spin Speed	Yes
Unbalance Detection System	Yes
Automatic Temperature Control	Yes
Internal Water Heater	Yes
Interior Light	No
Leak Protection System	Yes
Delay Start Time	0-19 Hours
Time Remaining Indicator	Yes
Dispenser Drawer	Detergent, Fabric Softener, Bleach
Door Lock Indicator	Yes
Child Lock	Yes
Adjustable Leveling Legs	4
# of Wash Cycles	14
# of Options	9
Quick Wash	Yes
Steam	Yes

**DIMENSIONS**

Product Dimensions (H x W x D)	33 1/4" x 23 5/8" x 23 1/2"
Product Dimensions with Door Open (H x W x D)	33 1/4" x 23 5/8" x 39 1/2"
Product Weight	163.14 lbs.
Shipping Weight	169.75 lbs.

**TECHNICAL DETAILS**

Watts	1100
Minimum Circuit Breaker / Rated Amps	12A
Circuit Required for Laundry Pair	24A
Volts	120 V
Frequency	60Hz
Power Cord Type	Included 3-Wire (NEMA 5-15P)
Power Cord Length	4.9 ft
Drain Hose Length	62 1/2"
Inlet Hose Length	57"
Door Hinge Location	Left Side
Reversible Door	No

**EFFICIENCY**

ENERGY STAR® Certified	Yes
Total Annual Energy Consumption (kWh)	73

**WARRANTY**

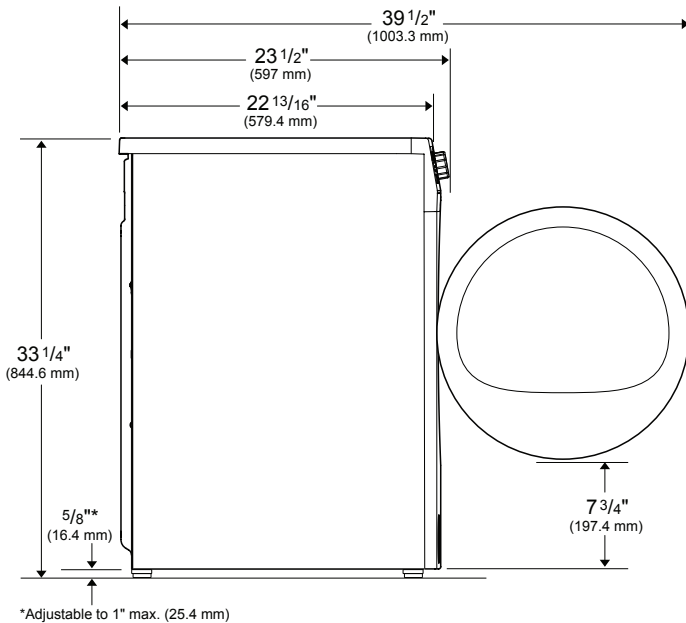
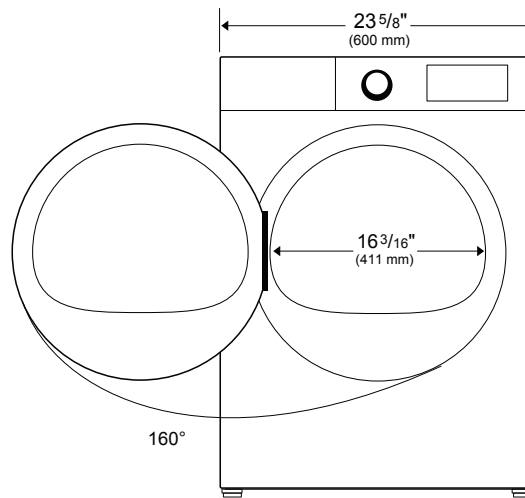
Full Warranty	1 Year
Parts Warranty	2 Years
Circuit Boards - Parts Only	5 Years
Stainless Steel Drum - Parts Only	Lifetime



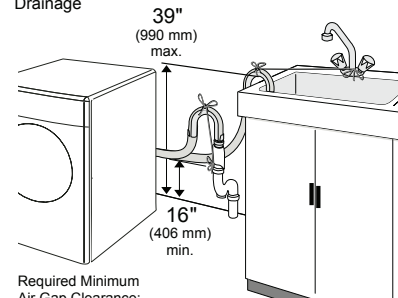
**24" 2.3 cu.ft. Compact Front Load Washer, ENERGY STAR<sup>®</sup>**

**BLWM242300SWG**

Dimensions and Installation



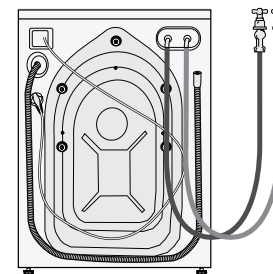
Drainage



Required Minimum Air Gap Clearance:

- 1/2" (13 mm) Top
- 1/2" (13 mm) Sides
- 1/2" (13 mm) Back

Water Supply Connection



NOTE TO THE INSTALLER: All height, width and depth dimensions are shown in inches (as well as metric). Beko US Inc., reserves the absolute and unrestricted right to change product materials and specifications, at any time, without notice. Please visit our website (Canada) [www.blombergappliances.ca](http://www.blombergappliances.ca) / (USA) [www.blombergappliances.com](http://www.blombergappliances.com) to verify the latest specifications with final dimensional data and other details prior to installation and making a cutout. Applicable product limited warranty information may be found in accompanying product materials or you may contact your account manager for further details. Proper installation is the responsibility of the installer. Product failure due to improper installation is not covered under the Limited Warranty.



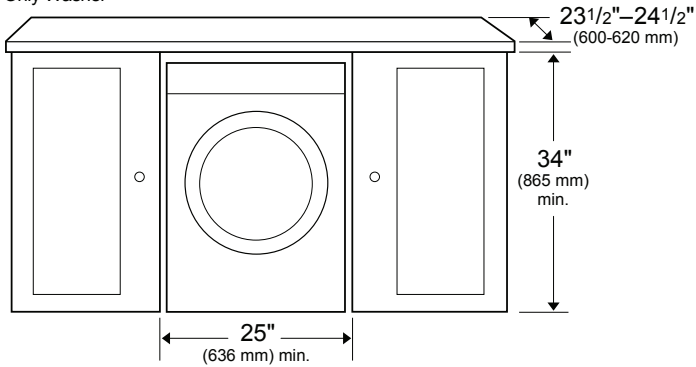
## 24" 2.3 cu.ft. Compact Front Load Washer, ENERGY STAR®

## BLWM242300SWG

### Dimensions and Installation

#### Clearances for Undercounter Installation

Only Washer

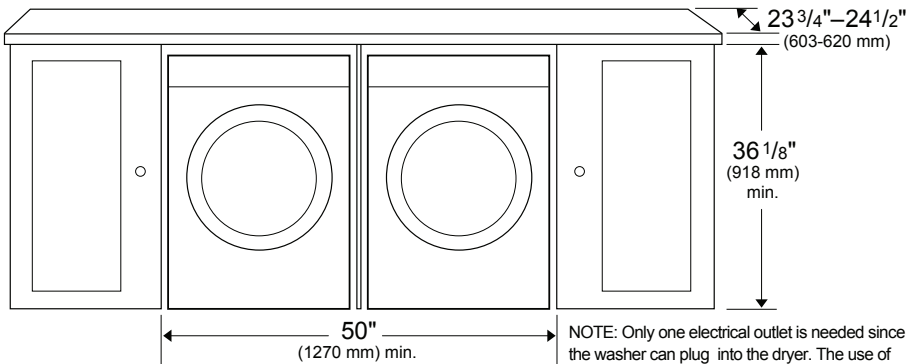


Required Minimum Clearances:  
(Stand Alone, Side by Side, or Stacked)

Washer	Vented Dryer	Heat Pump Dryer
Top: 1" (25 mm)	Top: 1" (25 mm)	Top: 1" (25 mm)
Sides: 1/2" (13 mm)	Sides: 3/16" (4 mm)	Sides: 1/2" (13 mm)
Rear: 1/2" (13 mm)	Rear: 4" (101.6 mm)	Rear: 1/2" (13 mm)
Front: xxxxx	Front: 3/16" (5 mm)	Front: 3/16" (5 mm)

#### Clearances for Undercounter Installation

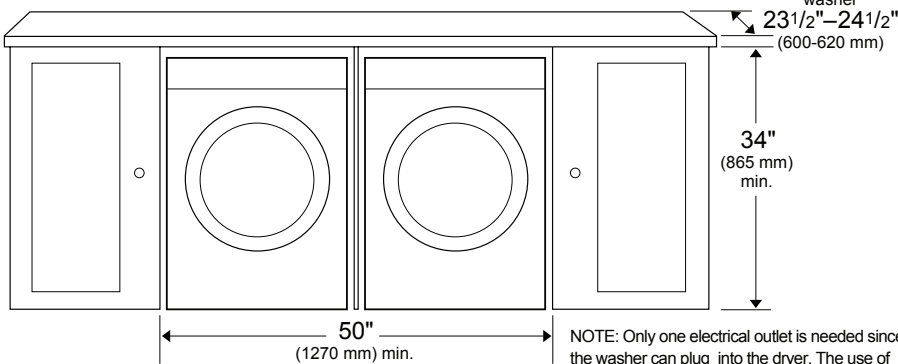
Both Washer and Vented Dryer



NOTE: Only one electrical outlet is needed since the washer can plug into the dryer. The use of

#### Clearances for Undercounter Installation

Both Washer and Heat Pump Dryer



NOTE: Only one electrical outlet is needed since the washer can plug into the dryer. The use of

#### Closet Door Ventilation Requirement

**Washer:**  
A louver having minimum 23 in<sup>2</sup> (148 cm<sup>2</sup>) air opening located at 3 in (7.62 cm) distance from the bottom of closet door.

**Vented Dryer:**  
A louver having minimum 46 in<sup>2</sup> (297 cm<sup>2</sup>) air opening located at 3 in (7.62 cm) distance from the top of closet door.

**Heat Pump Dryer:**  
Closet door must have 2 openings, one located 3.2 inches (8 cm) from bottom of door having a minimum area of 16 in<sup>2</sup> (103 cm<sup>2</sup>) and the other one located 3 inches (7.5 cm) from top of door having a minimum area of 46 in<sup>2</sup> (294 cm<sup>2</sup>).

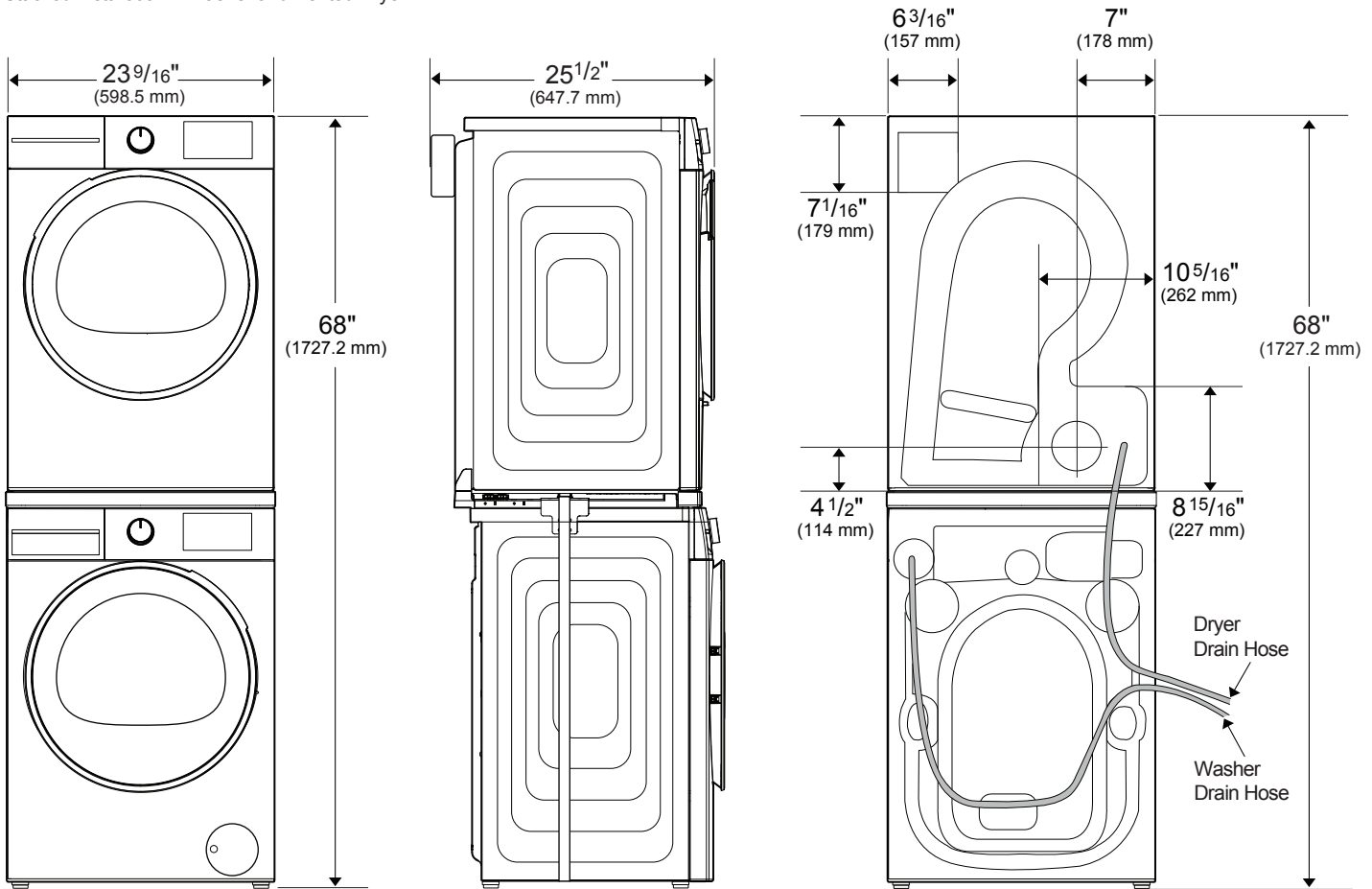


**24" 2.3 cu.ft. Compact Front Load Washer, ENERGY STAR<sup>®</sup>**

**BLWM242300SWG**

Dimensions and Installation

Stacked Installation – Washer and Vented Dryer



NOTE: Only one electrical outlet is needed since the washer can plug into the dryer. The use of two electrical outlets may be used as an alternative.

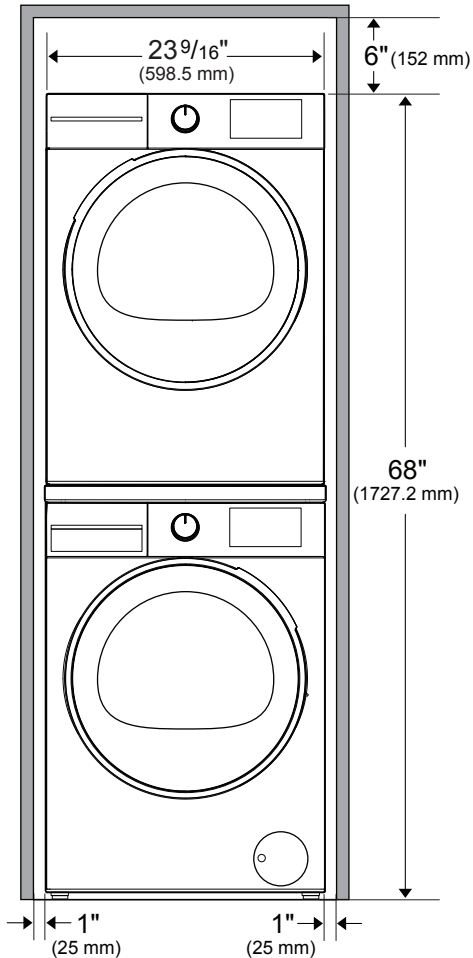


**24" 2.3 cu.ft. Compact Front Load Washer, ENERGY STAR<sup>®</sup>**

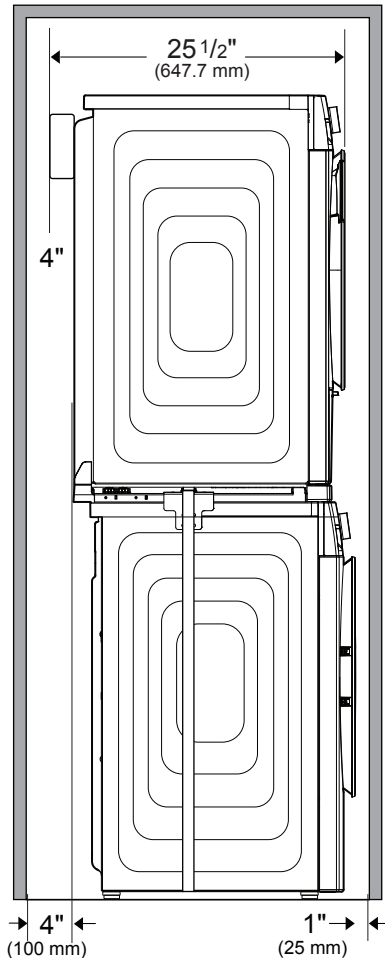
**BLWM242300SWG**

**Dimensions and Installation**

Stacked Installation in Closet or Enclosed Space – Washer and Vented Dryer

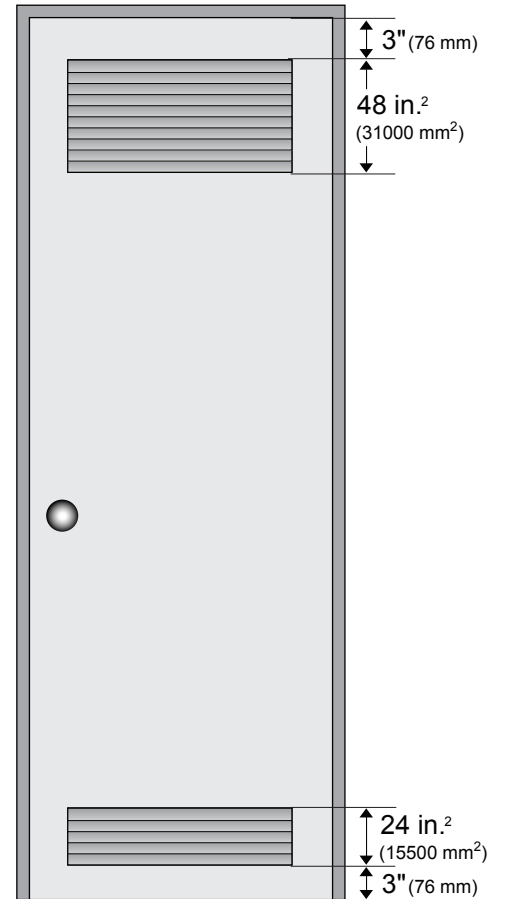


NOTE: Only one electrical outlet is needed since the washer can plug into the dryer. The use of two electrical outlets may be used as an alternative.



NOTE: The 4" clearance that is required should be measured from the back of the dryer cabinet, NOT from the junction box located at the top rear of the dryer.

NOTE: The 4" clearance is NOT measured from the back of the washer cabinet.



NOTE: The front of the closet must have two unobstructed air openings for a combined minimum total area of 72 sq.in. (465 sq.cm) with a minimum clearance of 3 in. (76 mm) at the top and bottom. A slatted door with equivalent space clearance is acceptable.