

**28 INCH COUNTER DEPTH TOP FREEZER REFRIGERATOR****BRFT1622SS****Duo-Cycle Cooling**

Ingenious Blomberg refrigerators are equipped with advanced multi-cycle, no-frost, silent cooling technology. Independently zoned and controlled cooling systems maintain even air temperature and humidity in separate freezer and fresh-food compartments, delivering enhanced food preservation and maximum energy efficiency. No air transfer between compartments means food in the freezer section freezes faster, items in the refrigerator stay fresher longer, and odors don't circulate.

**Automatic Ice Machine**

Whether you are getting ready for a big party or just keeping up with your busy family life, there is never a need to rush out and buy ice. The Blomberg automatic icemaker can produce up to 6 pounds of ice per day.

**GENERAL**

Cooling system	Duo Cycle Frost Free Cooling
Control system	Electronic Control
Reversible Door	Yes

CAPACITIES

Total net volume, cu. ft.	13.53
Fresh food net volume, cu. ft.	10.1
Freezer net volume, cu. ft.	3.43

FRIDGE FEATURES

Electronic control display type	Digital inner display
Auto defrost	Yes
Inner illumination	LED - Sidewalls
Door open alarm	Yes
Shelves	3 - Full depth, height adjustable
Crispers	1
Door Racks - Full width	3
Compressor	Variable Speed VCC
Wine Rack - Full width	Yes

FREEZER FEATURES

Auto defrost	Yes
Door Racks	2
Automatic ice maker	Yes
Freezer Illumination	Yes

TECHNICAL INFORMATION

Supply voltage, V/Hz	120/60
Rated Current, A	2.4
Noise level, dBA 39	47

DIMENSIONS

HxWxD, in	67 3/4" x 27 9/16" x 24 5/8"
Product weight, lbs.	179
HxWxD, cm	172 x 70 x 62.5
Product weight, kg	81

PERFORMANCE

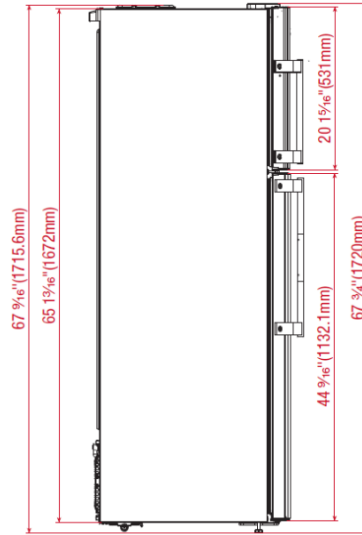
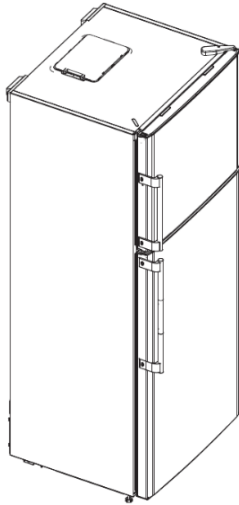
Climatic class	T
Annual energy consumption, kwh/year	400
Cooling Gas	R600a



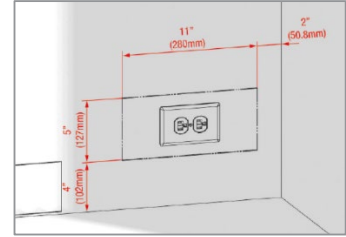
28 INCH COUNTER DEPTH TOP FREEZER REFRIGERATOR

BRFT1622SS

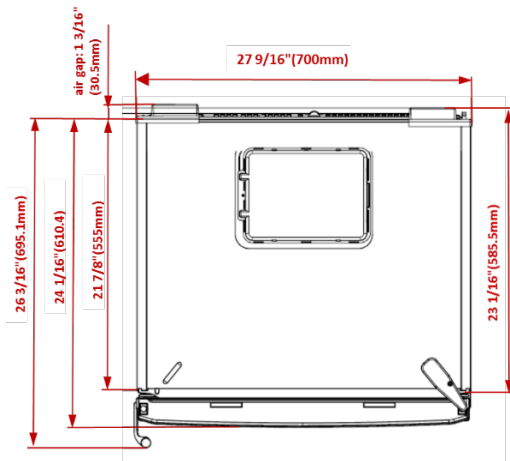
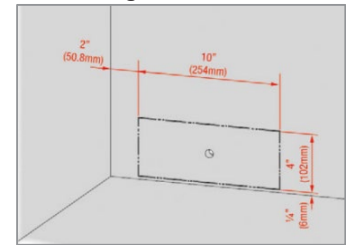
Dimensions and Installation



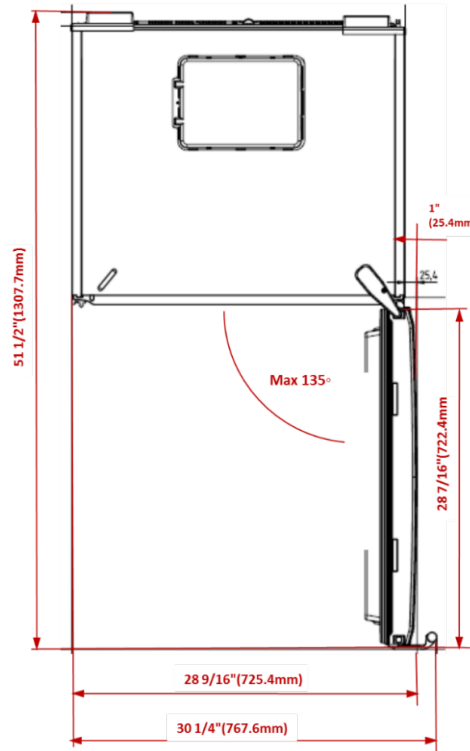
Electrical



Plumbing



Required minimum air gap clearances:
1 1/2" top, 1/8" sides, 1 3/16" back



NOTE TO THE INSTALLER: All height, width and depth dimensions are shown in inches (as well as metric). Beko US Inc. reserves the absolute and unrestricted right to change product materials and specifications, at any time, without notice. Please visit our website www.blombergappliances.com or call 888-352-2356 to verify the latest specifications with final dimensional data and other details prior to installation and making a cutout. Applicable product limited warranty information may be found in accompanying product materials or you may contact your account manager for further details. Proper installation is the responsibility of the installer. Product failure due to improper installation is not covered under the Limited Warranty.