



IN HARMONY WITH NATURE,  
YOUR LIFE, AND YOU.

**Blomberg**  
seit 1883

## 24" Tall Tub, Top Control Dishwasher

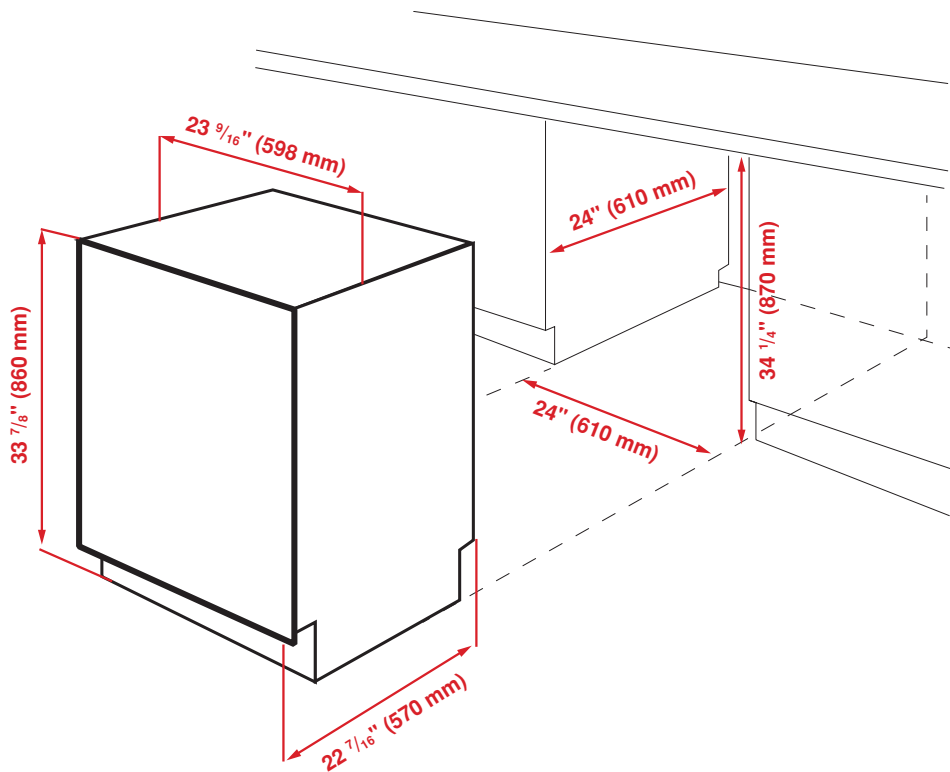
DWT81800SSIH



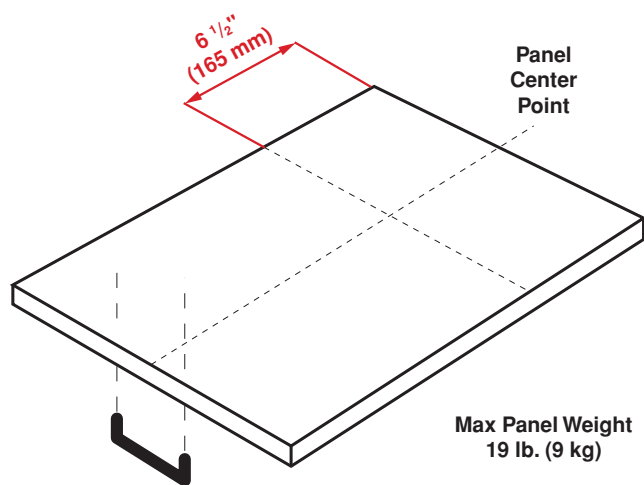
### FEATURES

- Touch Control Direct Access
- 8 Programs
- 5 Functions
- Silent Operation: 45 dBA
- Full-size 3<sup>rd</sup> Rack
- Flexible Rack Loading
- Easy Installation
- Concealed Heating Element
- Adjustable Feet and Self-adjustable Hinge

CONTROLS	
Control Type	Electronic Direct Access Touch Control
Position	Top
Finish	Stainless Steel
MAIN FEATURES	
Loading Capacity (Place Settings)	16
Tube Material	Stainless Steel
Interior Illumination	Top
DMFS Overflow Protection	Overflow Safety
5 Level Wash	Yes
Delay Timer	1/2 – 24 hours
Drying System	Active Ventilation
Brushless DC™ Motor	Yes
Turbidity Sensor	Yes
Silent Operation	45 dBA
All-in-1 Tablet Function	Yes
Interior High Loop with Air Gap	Yes
Detergent Dispenser Type	Sliding Lid
FUNCTIONS	
Half Load Function	Yes
Sanitize Function	Yes
SuperGloss Function	Yes
RapidClean Function	Yes
PowerWash Function with Extra Spray Arm	Yes
PROGRAMS	
Number of Programs	8
Pots and Pans+ (167°F)	Yes
Auto Program (131 – 149°F)	Yes
MixWash+ (131 – 149°F)	Yes
Regular Wash (142 – 145°F)	Yes
Express Dry	Yes
GlassCare	Yes
Quick Wash (131°F)	Yes
Rinse & Hold	Yes
DISPLAY	
Rinse Aid Indicator	Yes
RACK SYSTEM	
SmartFold Lower Rack Folding Tines	4
Cutlery Basket	Sliding
Upper Rack (Inset Shelves)	2
SmartFold Upper Rack Folding Tines	3
Adjustable Upper Rack	3 Positions, Adjustable When Loaded
3 <sup>rd</sup> Rack	Full-size
DIMENSIONS (DWT81800SSIH)	
H x W x D	33 7/8 x 23 9/16 x 22 7/16 in. (86.1 x 59.8 x 57 cm)
Product Weight	96.1 lb. (43.6 kg)
Packed H x W x D	35 x 25 3/8 x 26 in. (88.9 x 64.4 x 66.1 cm)
Packed Weight	102.7 lb. (46.6 kg)
ENVIRONMENTAL STANDARDS	
ENERGY STAR® Qualified	Yes — Most Energy Efficient 2018
Energy Consumption	225 kWh / year
Water Consumption	2.4–4.7 gal. / cycle (2.91–6.07 gal./cycle DWT81800SSWS only)



**Panel Ready Recommended Door Panel Size and Thickness:**



DIMENSIONS (DWT81800SSIH, INTEGRATED HANDLE)	
H x W x D	33 7/8 x 23 9/16 x 22 7/16 in. (86.1 x 59.8 x 57 cm)
Product Weight	96.12 lb. (43.6 kg)
Packed H x W x D	35 x 25 3/8 x 26 in. (88.9 x 64.4 x 66.1 cm)
Packed Weight	102.73 lb. (46.6 kg)

NOTE TO THE INSTALLER: All height, width, and depth dimensions are shown in inches (as well as metric). Beko US Inc. reserves the absolute and unrestricted right to change product materials and specifications, at any time, without notice. Please visit our website at [www.BlombergAppliances.com](http://www.BlombergAppliances.com) or call 888.352.2356 to verify the latest specifications with final dimensional data and other details prior to installation and making a cutout. Applicable product limited warranty information may be found in accompanying product materials, or you may contact your account manager for further details. Proper installation is the responsibility of the installer. Product failure due to improper installation is not covered under the Limited Warranty.

IN HARMONY WITH NATURE, YOUR LIFE, AND YOU.