

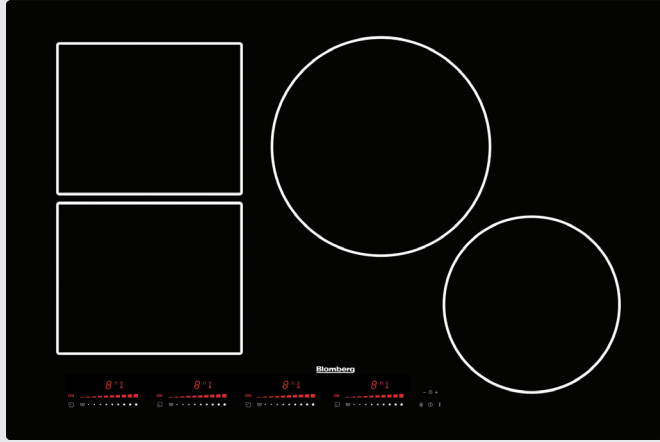


IN HARMONY WITH NATURE,
YOUR LIFE, AND YOU.

Blomberg
seit 1883

30" Induction Cooktop

CTI30410

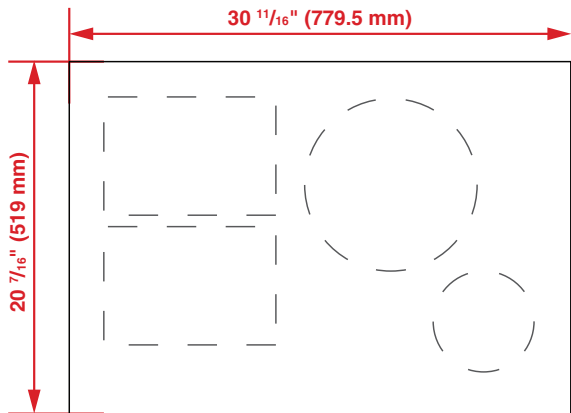


FEATURES

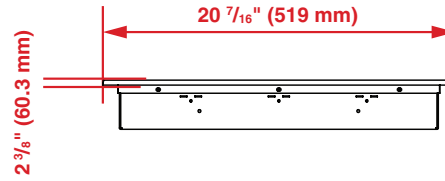
- 4 Induction Zones
- 9 Cooking Levels
- Automatic Pan Recognition
- On/Off Light
- Fully Automatic Cooling System
- Warming Function

GENERAL	
Size	30"
Finish	Frameless Black Glass
Heating Technology	Induction
Control Type	Front Touch Control
BURNER FEATURES	
Number of Burners	4
Digital Display Type	LED, Slide Control
Timer	Yes
Cooking Levels	9
Booster	Yes
Residual Heat Indicators	Yes
Display Lock	Yes
BURNER POWER LEVELS	
Front Left	8 1/2" x 7" — 700 / 1,700 W
Front Right	11" — 2,600 / 3,700 W
Rear Left	8 1/2" x 7" — 2,100 / 3,700 W
Rear Right	9" — 2,600 / 3,700 W
Total Power	7,400 W
POWER / RATINGS	
Voltage / Frequency	220–240 V, 50–60 Hz
DIMENSIONS	
Required Cutout Dimension (H x W)	29 1/2" x 19 5/16" in.
H x W x D	2 3/8" x 30 11/16" x 20 7/16" in. (6 x 78 x 52 cm)
Product Weight	22.04 lbs. (10 kg)
Packed H x W x D	4 3/4" x 31 1/2" x 23 5/8" in. (12 x 80 x 60 cm)
Packed Weight	26.45 lbs. (12 kg)

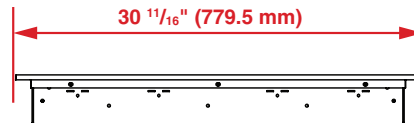
Top



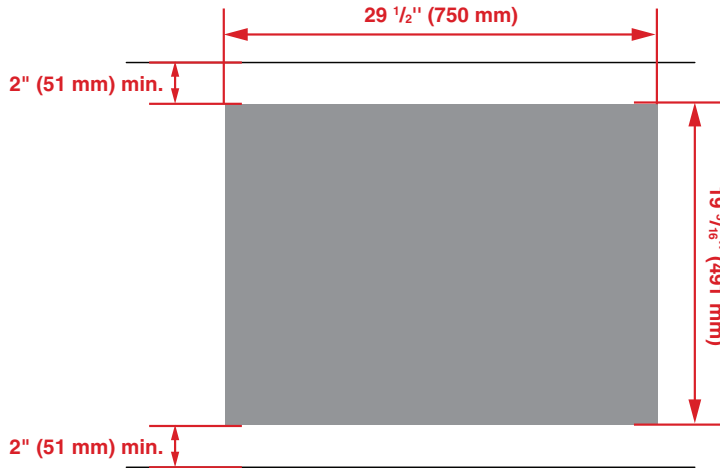
Side – Side View



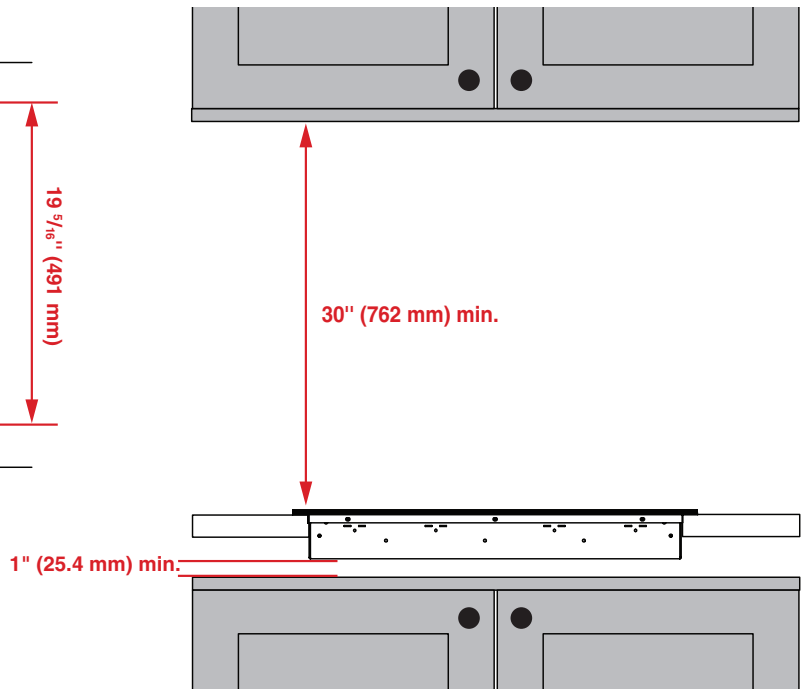
Front – Side View



Countertop Cutout



Cabinet Space



NOTE TO THE INSTALLER: All height, width, and depth dimensions are shown in inches (as well as metric). Beko U.S., Inc. reserves the absolute and unrestricted right to change product materials and specifications, at any time, without notice. Please visit our website at www.BloombergAppliances.com or call 888.352.2356 to verify the latest specifications with final dimensional data and other details prior to installation and making a cutout. Applicable product limited warranty information may be found in accompanying product materials, or you may contact your account manager for further details. Proper installation is the responsibility of the installer. Product failure due to improper installation is not covered under the Limited Warranty.

IN HARMONY WITH NATURE, YOUR LIFE, AND YOU.