

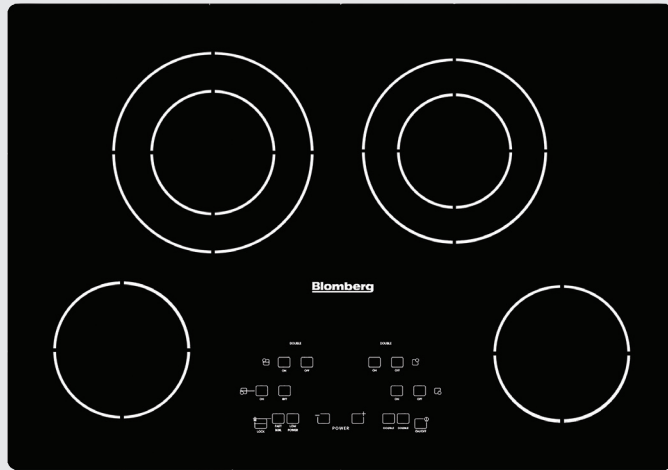


IN HARMONY WITH NATURE,
YOUR LIFE, AND YOU.

Blomberg
seit 1883

30" Smooth Top Electric Cooktop

CTE30400



FEATURES

- Nine Cooking Levels per Zone
- Four Vitroceramic Cooking Zones
- On/Off Indicator

FINISH

Frameless Black Glass

DIMENSIONS (H x W x D)

3 1/8 x 30 x 21 in.

GENERAL

Glass Type	Frameless Black Glass
Size	30"
Color	Black
Heating Technology	Electric (Vitroceramic)
Control Type	Front Touch Control

ELECTRIC BURNER FEATURES

Smooth Top for Easy Cleaning	Yes
Slide Touch Control with Timer	Yes
Residual Heat Indicator	Yes
Edge to Edge Frameless Design	Yes

STANDARD POWER

Front Left	ø 6" — 1,200 W
Front Right	ø 6" / 9" — 1,100 / 2,500 W
Rear Left	ø 6" — 1,200 W
Rear Right	ø 5" / 9" — 800 / 2,200 W

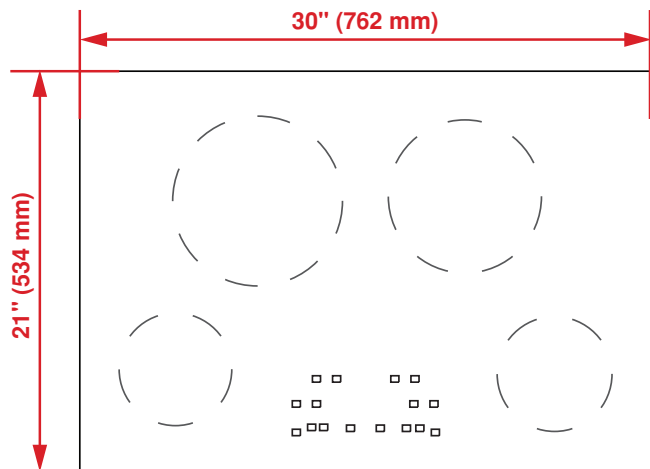
DIMENSIONS

Required Cutout Dimension (W x D)	28 11/16-15/16 x 19 1/4-5/8 in.
Overall Height	3 1/8 in.
Overall Width	30 in.
Overall Depth	21 in.
Weight	33 lbs.

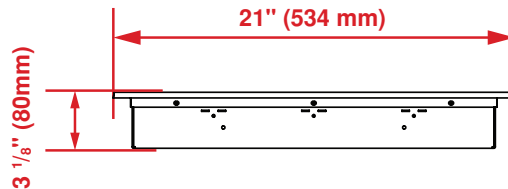
POWER / RATINGS

kW / Amp Rating at 240 V, 60 Hz	220-240 V, 60 Hz
Total Watts	7,100 W
Amp Rating	220 V, 32.27 Amp / 240 V, 24.58 Amp
Supply Cord	Yes

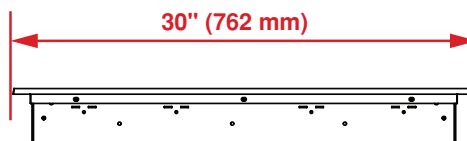
Top



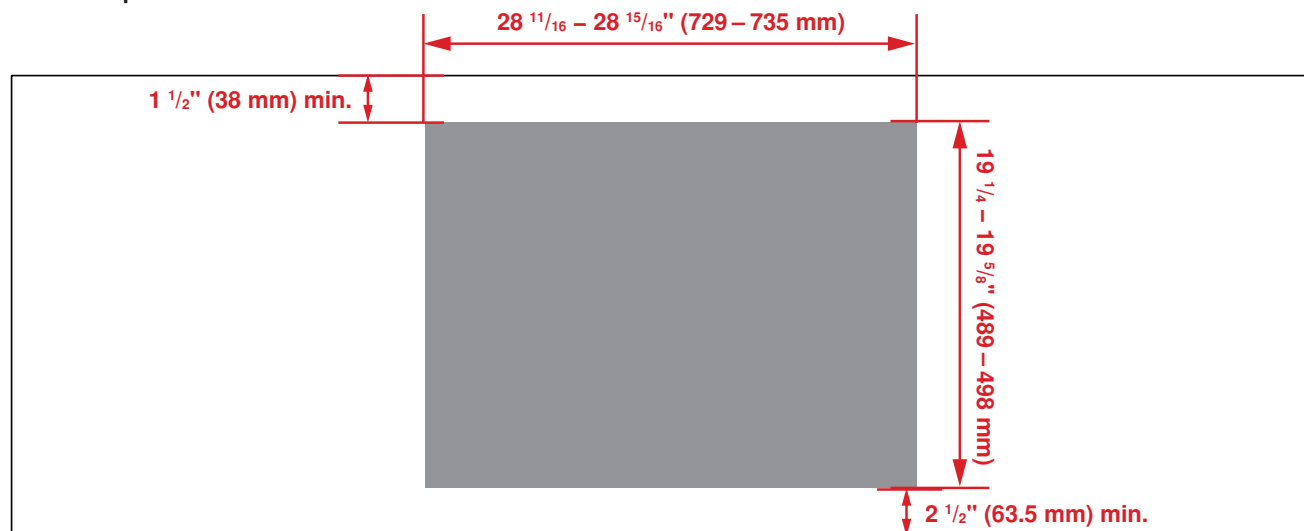
Side — Side View



Front — Side View



Countertop Cutout



NOTE TO THE INSTALLER: All height, width, and depth dimensions are shown in inches (as well as metric). Beko U.S., Inc. reserves the absolute and unrestricted right to change product materials and specifications, at any time, without notice. Please visit our website at www.BloombergAppliances.com or call 888.352.2356 to verify the latest specifications with final dimensional data and other details prior to installation and making a cutout. Applicable product limited warranty information may be found in accompanying product materials, or you may contact your account manager for further details. Proper installation is the responsibility of the installer. Product failure due to improper installation is not covered under the Limited Warranty.

IN HARMONY WITH NATURE, YOUR LIFE, AND YOU