

Built-in Oven
Four encastré
Horno integrado

BWOS 24100

BWOS 24102

BWOS 24200

BWOS 24202

User manual
Manuel d'utilisation
Manual del usuario

Blomberg

Please read these instructions before installation or using your appliance!

Dear Customer,

We would like you to obtain best performance with your product that has been manufactured in modern facilities and passed through strict quality control procedures.

Therefore, we advise you to read through this user manual carefully before using your product and keep it for future reference. If you hand over the product to someone else, deliver the user manual as well.

The user manual will help you use the product in a fast and safe way.

Important: Save these instructions for the local electrical inspectors use.

The instructions will help you to operate the appliance quickly and safely.

- Upon delivery, please check that the appliance is not damaged. If you note any transport damage, please contact your point of sale immediately and do not connect and operate the appliance!
- Before you connect and start using the appliance, please read this manual and all enclosed documents. Please note in particular the safety instructions.
- Keep all documents so that you can refer to the information again later on. Please keep your receipt for any repairs which may be required under warranty.
- When you pass on the appliance to another person, please provide all documents with it including original date of purchasing. (The warranty does not convey if the unit is sold).
- If you should decide not to use this appliance any longer (or decide to substitute an older model), before disposing of it, it is recommended that it be made inoperative in an appropriate manner in accordance to health and environmental protection regulations, ensuring in particular that all potentially hazardous parts be made harmless, especially in relation to children who could play with old appliances. Remove the door and the warming drawer before disposal to prevent entrapment.

Explanation of symbols

Throughout this User Manual the following symbols are used:



Important information or useful hints about usage.



Warning for hazardous situations with regard to life and property.



Warning for electric shock.



Warning for risk of fire.



Warning for hot surfaces.

Table of Contents

1 SAFETY INSTRUCTIONS	4	5 MAINTENANCE AND CARE	25
Basic safety instructions	4	General information	25
Safety for children	6	Cleaning the control panel	25
Intended use	6	Cleaning the oven	25
Disposal	7	Removal of oven door	25
Packaging material	7	Replacing the oven lamp	26
Future transportation	7		
2 INSTALLATION	8	6 GENERAL INFORMATION	27
Important notes to the consumer	8	Technical Data	28
Installation and connection	12	Accessories supplied with the unit	28
Connection to the main supply	13		
Installation	15	7 TROUBLESHOOTING	29
3 PREPARATION	16	Electrical equipment	29
Tips for saving energy	16		
Initial operation	16	8 WARRANTY	
Setting the time	16	STATEMENT for Blomberg	
First cleaning of the appliance	16	Electric and gas ranges	30
Initial heating	17		
4 HOW TO OPERATE THE	18		
OVEN			
General information on baking, roasting and broiling	18		
Tips for baking	18		
Tips for roasting	18		
Tips for broiling	18		
How to use the electric oven	18		
How to operate the oven timer	20		
Cooking times table	21		
How to operate the broil	23		
Cooking times table for broiling	24		
How to use the alarm clock	24		

1 SAFETY INSTRUCTIONS

Basic safety instructions

- The manufacturer reserves its right to make changes in the technical specifications in order to improve the appliance quality without any prior notice. Figures included in this manual are for schematic purpose only and may not match exactly with your appliance. Values stated on the markings of the appliance or in other printed documents supplied with the appliance are obtained under laboratory conditions as per relevant standards. These values may vary according to the usage of the appliance and ambient conditions.
- This appliance is not intended for use by persons (including children) with reduced physical, sensory or mental capabilities, or lack of experience and knowledge, unless they have been given supervision or instruction concerning use of appliance by a person responsible for their safety.
Children should be supervised to ensure that they do not play with the appliance.
- Proper installation - Be sure your appliance is properly installed and grounded by a qualified technician
- Never use your appliance for warming or heating the room.
- Wear proper apparel - loose-fitting or hanging garments should never be worn while using the appliance.
- User servicing - Do not repair or replace any part of the appliance unless specifically recommended in the manual. All other servicing should be referred to a qualified technician.
- Use care when opening door- let hot air or steam escape before removing or replacing food.
- Placement of oven racks -always place oven racks in desired location while oven is cool. If rack must be moved while oven is hot, do not let potholder contact hot heating element in oven.
- Use only dry potholders- Moist or damp potholders on hot surfaces may result in burns from steam. Do not let potholder touch hot heating elements. Do not use a towel or other bulky clothes.
- Do not heat unopened food containers- Build-up of pressure may cause container to burst and result in injury.
- Keep oven vent ducts unobstructed.
- Ensure that no flammable materials are adjacent to the appliance as the sides become hot during use.

- Do not place baking trays, dishes or aluminium foil directly onto the bottom of the oven. The heat accumulation might damage the bottom of the oven.
 - Keep all ventilation slots clear of obstructions, the furniture cabinet and may cause premature failure of the oven element.
 - The manufacturer declines all liability for injury to persons or damage to property caused by incorrect or improper use of the appliance.
 - Do not use the oven with front door glass removed or broken.
 - Do not use Water on Grease Fires-Smother fire or flame or use dry chemical or foam-type extinguisher.
 - Rear surface of the oven gets hot when it is in use. Electric connection should not touch the rear surface, otherwise the main cable may get damaged.
Do not trap the main cable between the hot oven door and frame. Do not route the main cable over the hot cooking section. Otherwise, cable insulation may melt and cause fire as a result of short circuit.
 - Never wear loose-fitting or hanging garments while using the appliance. Be careful when reaching for items stored in cabinets over the oven. Flammable materiel could be ignited if brought in contact with hor surfaces or heating elements and may cause severe burns.
 - Flame in the oven can be smothered completely by closing the oven door and turning the oven off or by using a multi-purpose dry chemical or foam-type fire extinguisher.
 - Pulling out the rack to the stop-lock is a convenience in lifting heavy foods. It is also a precaution against burns from touching hot surfaces of the door or oven walls.
 - Do not use the oven to dry newspapers. If overheated, they can cath on fire.
 - Storage in or on Appliance-Flammable materials should not be stored in an oven or near surface units.
 - Do not leave paper products, cooking utensils or food in the oven when not in use.
 - After broiling, always take any broiler pan out of the oven and clean it. Leftover grease in a broiler pan can catch fire next time you use the pan.
 - Check that all controls on the appliance are switched off after use.
- i IMPORTANT:** Call the authorized service for installation of the appliance to be used. After this procedure, guarantee period will be started.
- i IMPORTANT:** DO NOT TOUCH HEATING

ELEMENTS OR INTERIOR SURFACES OF OVEN –
Heating elements may be hot even though they are dark in color. Interior surfaces of an oven become hot enough to cause burns. During and after use, do not touch, or let clothing or other flammable materials contact heating elements or interior surfaces of oven until they have had sufficient time to cool. Other surfaces of the appliance may become hot enough to cause burns – among these surfaces are (identification of surfaces – for example, oven vent openings and surfaces near these openings, oven doors, and windows of oven doors).

Safety for children

CAUTION: Do not store items of interest to children in cabinets above a range or on the backguard of a range - children climbing on the range to reach items could be seriously injured.

- The packaging materials will be dangerous for children. Keep the packaging materials away from children. Please dispose of all parts of the packaging according to environmental standards.
- Accessible parts may be hot when the broil is in use. Young children should be kept away.
- Do not leave children alone - children should not be

left alone or unattended in area where appliance is in use. They should never be allowed to sit or stand on any part of the appliance.

Safety when working with electricity

- Any work on electric equipment and systems may only be carried out by authorized qualified persons.
- In case of any damage, switch off the appliance and disconnect it from the main supply by removing the fuse or switching off the circuit breaker.
- Ensure that the fuse rating is correct.
- Do not operate the appliance barefooted.
- Never touch the appliance with wet hands or feet.
- Do not soak removable heating elements. Heating elements should never be immersed in water.

Intended use

i NOTICE: This product is designed for domestic cooking purposes only. It is not designed for any other uses such as room heating or drying towels and dish cloths. Commercial use will void the guarantee.

- This appliance is not intended to use at mobile homes, recreational vehicles.
- All openings in the wall behind the appliance and in the floor

under the appliance shall be sealed.

- Do not obstruct the flow of ventilation air.
- The manufacturer shall not be held liable for any damage caused by improper use or handling errors.

The appliance can be used for defrosting, baking, roasting and broiling food.

Disposal

Packaging material

⚠ DANGER: Risk of suffocation by the packaging materials!

Packing elements (i.e. plastic bags, polystyrene foam, nails, packing straps, etc.) should not be left around within easy reach of children, as these may cause serious injuries.

The packaging material and transport locks are made from materials that are not harmful to the environment. Please dispose of all parts of the packaging according to environmental standards. This is beneficial to the environment.

Future transportation

Do not carry out cleaning or maintenance operations on the appliance without having previously disconnected it from the electric power supply.

ⓘ NOTICE: Do not place other items on the top of the appliance. The appliance must be transported upright.

Store the appliance's original box and transport the appliance in its original carton. Follow the guidance marks that are printed on the carton.

ⓘ IMPORTANT: Verify the general appearance of your equipment by identifying possible damage during the transportation.

To prevent the wire shelf and tray inside the oven from damaging the oven door, place a strip of cardboard onto the inside of the oven door that lines up with the position of the trays. Tape the oven door to the side walls.

If you do not have the original carton

Pack the appliance in bubble wrap or thick cardboard and tape it securely in order to prevent damage during transportation.

2 INSTALLATION

i IMPORTANT:

The product should only be installed by suitably qualified electricians.

- Preparation of location and electrical installation for the product is under customer's responsibility.
- The product must be installed in accordance with all local electrical regulations.
- Prior to installation, visually check if the product has any defects on it. If so, do not have it installed.

Damaged products cause risks for your safety.

Before installation

The appliance is intended for installation in commercially available kitchen cabinets. A safety distance must be left between the appliance and the kitchen walls and furniture. See figure (values in mm).

- Surfaces, synthetic laminates and adhesives used must be heat resistant.
- Kitchen cabinets must be set level and fixed.
- If there is a drawer beneath the oven, a shelf must be installed between oven and drawer.
- The following installation drawings are representational and may not match exactly with your appliance
- Product guarantee will be valid after proper installation. Manufacturer will not be responsible any hazard or damage of improper installation or usage.
- Don't pull the oven on the floor during transportation in order to avoid damages on the floor surface. Always carry your product by using two or more people.

- Remove all shipping materials inside or outside of the oven.
- Remove all equipments inside of the oven including the printed documents.

Important notes to the consumer

Keep this manual for future reference.

- As when using any range generating heat, there are certain safety precautions you should follow. These are listed in the front of this manual. Read and follow carefully.
- Be sure your range is installed and grounded properly by a qualified installer or service technician.

Installation Conditions

- All dimensions given in this manual are in millimeters.
- The oven has dimensions given in Figure B.
 - * : excluding handle
 - ** : minimum
- The product should be installed to the cabinets with the dimensions specified for different types of locations.
- The first step of the installation is to check the dimensions of your existing cut out. For new furniture orders, these dimensions should be considered.
- All cabinet works, if necessary should be completed before installation and all remains of the work should be cleaned before installation.
- Kitchen cabinet should be fixed and level so that the fix oven can't tilt.
- The board of the cabinet on which the oven to placed should withstand 60 kg or more.

- If there is a drawer beneath the oven, a shelf must be installed between the oven and drawer.

Installation Under a Countertop

- The cabinet should have the dimensions in Figure A.
- In the rear of the cabinet, there should be a cut out for sufficient air ventilation.
- The air ventilation gap between the oven and countertop (Y in Figure D) should not be closed.

Installation in a High Cupboard

- The cabinet should have the dimensions in Figure C.
- In the rear of the cabinet, both on the bottom and top of the cabinet, there should be a cut out for sufficient air ventilation.

Positioning and Fixing the Oven

- Put the oven into the cabinet by two or more people.
- Don't carry or lift the oven from its handle or front panel. Use plastic slots on both sides of the oven to carry the product.
- Push the oven into the cabinet from the seal area (Z in Figure D). Don't push against the control panel or edges.
- Be sure that oven frame and cabinet front frame overlapped perfectly.
- The supply cord must not be clamped, bent, or squeezed during positioning the oven into the cabinet. If there is a damage on the supply cord, it must be replaced by a qualified electrician with a new supply cord with the technical properties listed in the user manual.
- Fix the oven to the cabinet using the screws provided. Screws should be

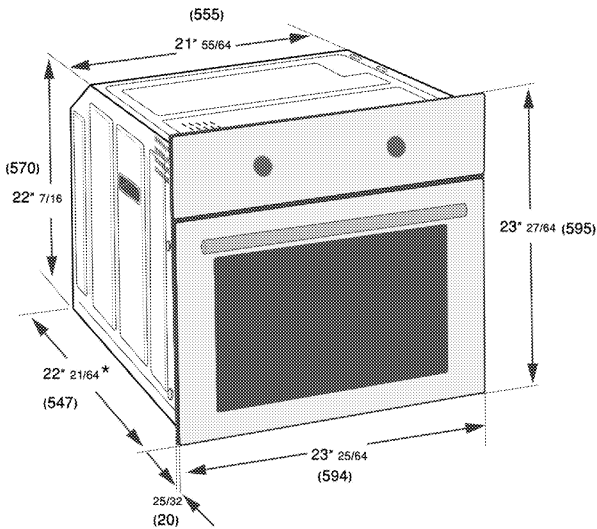
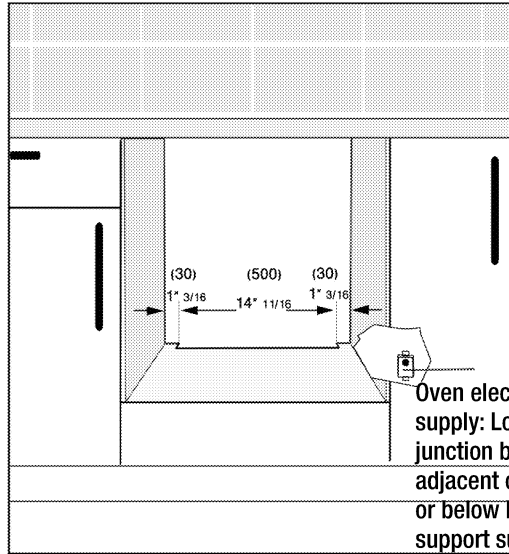
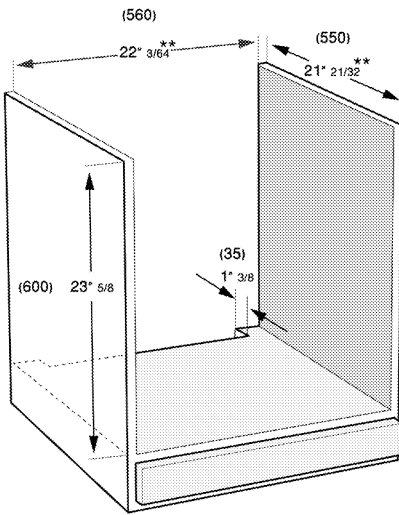
inserted through installation plastics mounted on the side frames of the oven (see Figure D). Do not over tighten the screws.

- After installation, check the screws are securely tightened and the product can't be moved. If the oven is not installed and tightened properly, there is a risk of tip over.

Final Check

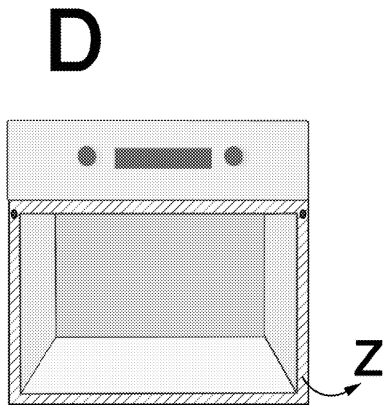
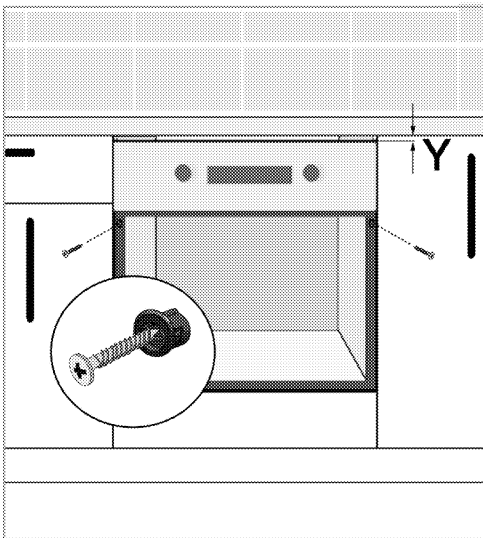
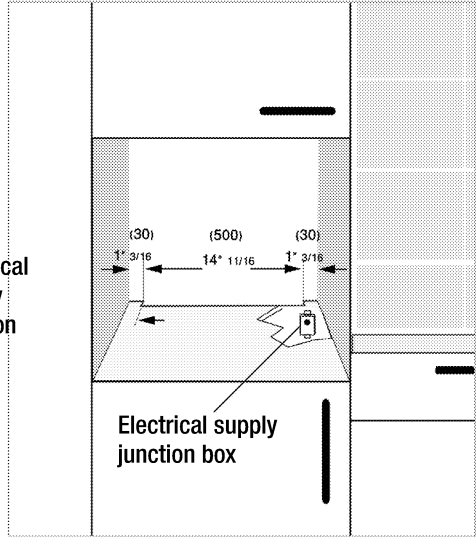
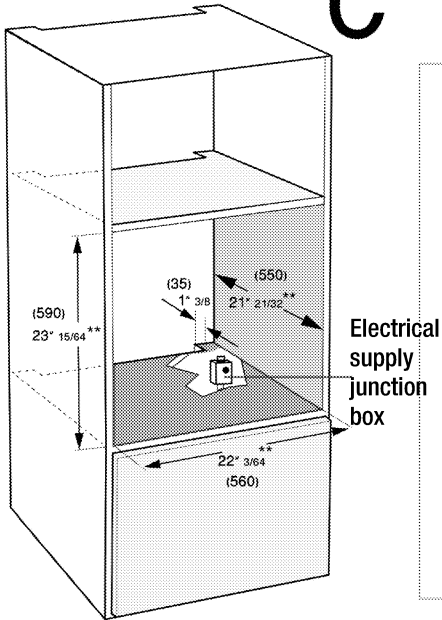
- Turn on the power source after installing the oven.
- Refer to the user manual for first usage of the oven.
- Check functions.

A



B

C



Installation and connection

i NOTICE

Material damage!

The door and/or handle must not be used for lifting or moving the appliance.

If the appliance has wire handles, push the handles, back into the side walls after moving the appliances.

- Carry the appliance with at least two persons.
- For installation the appliance must be connected in accordance with all local electrical and/or gas regulations.

⚡ DANGER:

Electrical shock hazard!

- Use extreme caution when drilling holes into the wall or floor. There may be concealed electrical wires located behind the wall or under the floor.

Failure to follow these instructions may result in electrical shock or other personal injury.

i IMPORTANT:

Property damage!

- Contact a qualified installer or contractor to determine the proper method for drilling holes through the wall or floor material (such as ceramic tile, hardwood, etc.)
- Do not slide the unit across an unprotected floor.
- Failure to follow these instructions may result in damage to wall or floor coverings.
- The California Safe Drinking water and Toxic Enforcement Act requires the Governor of California to publish a list of substances known to the State of California to cause cancer,

birth defects, or other reproductive harm, and re-quires businesses to warn of potential exposure to such substances.

i IMPORTANT:

This product contains a chemical known to the state of California to cause cancer, birth defects, or other reproductive harm.

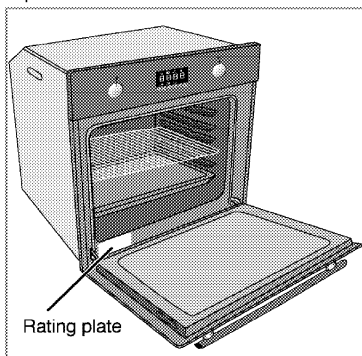
This appliance can cause low-level exposure to some of the substances listed, including benzene, formaldehyde, carbon monoxide, and toluene.

Installation Instructions

- Electrical connections:
- Attention Installer
- All electric wall ovens must be hard wired (Direct wired) into an approved junction box. A plug and receptable is not permitted on these product. Do not shorten the flexible conduit. The conduit strain relief clamp must be securely attached to the junction box and the flexible conduit must be securely attached to the clamp. If the flexible conduit will not fit within the clamp, do not install the oven the oven until a clamp of the proper size is obtained.

Rating Plate Location

Open the front door to see the rating label.



Electrical Connection

i IMPORTANT: Save for the local electrical inspector's use.

i IMPORTANT: Any work on electric equipment and systems may only be carried out by authorized qualified persons.

- It is important that the place of installation has an adequate electrical system. Before installing the oven, it should be controlled by a qualified electrician and approved that the addition of the oven will not overload the branch circuit on which it is to be installed. The mains supply data should correspond to the data specified on the type plated. Type plate can be reached by opening the front door of the oven.
- The unit should be installed and connected in accordance with national and local regulations.
- The cable for further replacements should correspond to the specifications listed in the user manual.
- Turn off the power source before installing the oven. The product should not be connected to the mains before the installation completed.

Connection to the main supply

i IMPORTANT: Electrical installation should comply with national and local codes.

i IMPORTANT: This appliance must be grounded!

⚠ DANGER:

power supply!

The main **power supply** lead must not be clamped, bent or trapped or come into contact with hot parts of the appliance.

If the main **power supply** is damaged, it must be replaced by a qualified electrician.

Be sure your appliance is properly installed and grounded by a qualified technician. Ask your dealer to recommend a qualified technician or an authorized repair service.

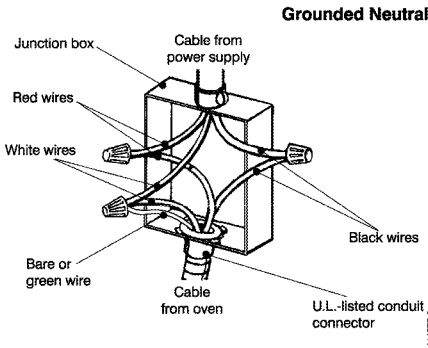
This appliance is manufactured with a green GROUND wire connected to the oven chassis. After making sure that the power has been turned off, connect the flexible conduit from the oven to the junction box using a U.L. listed conduit connector. Figures A and B and the instructions provided below present the most common way of connecting the ovens. Your local codes and ordinances, of course, take precedence over these. Complete electrical connections according to local codes and ordinances "WARNING" Risk of Electric Shock, frame grounded to neutral of appliance through a link.

Grounding through the neutral conductor is prohibited for new branch-circuit installations (1996 NEC); mobile homes; and recreational vehicles, or in an area where local codes prohibit grounding through the neutral conductor. For installations where grounding through the neutral conductor is prohibited:

- Disconnect the ground from the neutral at free end of conduit;
- Use grounding terminal of lead to ground unit; and
- Connect neutral terminal or lead to branch circuit neutral in usual manner.

Wire branch circuit (for US only)

Figure A

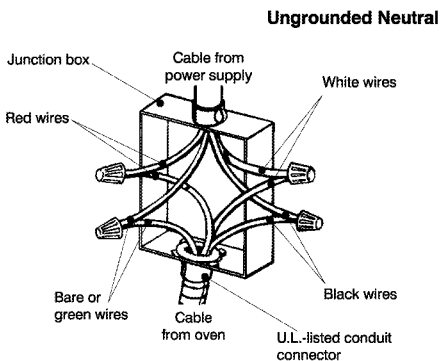


Refer to Figure A, where local codes allow the connection of GROUND wire from the oven to the branch circuit NEUTRAL wire (gray or white colored wire):

- If local codes permit, connect the green GROUND wire from the oven and white wire from the oven to the branch circuit NEUTRAL wire (gray or white colored wire).
- Connect the red and black leads from the oven to the corresponding leads in the junction box.

Wire branch circuit (for US and Canada)

Figure B



Refer to Figure B:

- Disconnect ground from neutral at free end of conduit.
- Connect the green GROUND wire from the oven to the GROUND wire in the junction box (bare or green colored wire).
- Connect the red and black leads from the oven to the corresponding leads in the junction box.
- Connect the white wire from the oven to the NEUTRAL (gray or white) wire in the junction box.

Electrical Requirements:

- This appliance must be supplied with the proper voltage and frequency, and connected to an individual, properly grounded branch circuit, protected by a circuit breaker or fuse.
- See the rating plate located on the side trim to determine the rating of the product. Use the chart below to determine to minimum recommended dedicated circuit protection.

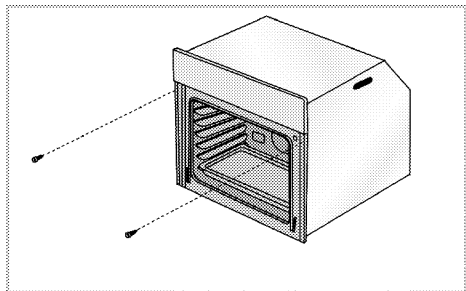
kW Rating 240 V	Recommended circuit size (Dedicated)
< 4,8 kW	20 Amp

For installations where grounding through the neutral conductor is prohibited.

The main supply data must correspond to the data specified on the rating plate of the appliance. The rating plate is either seen when the door or the lower cover is opened or it is located at the rear wall of the appliance depending on the appliance type.

Installation

1. Slide the oven through the cabinet aperture, align and secure.

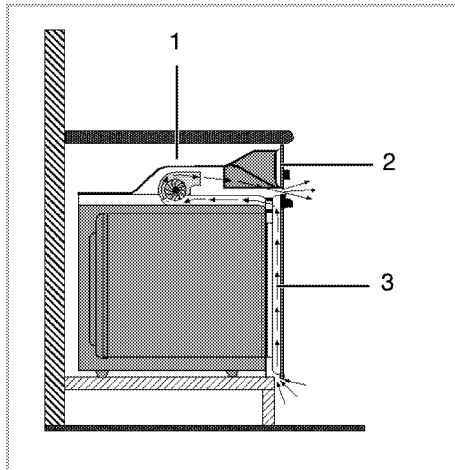


- Fix your oven with the 2 screws and washers as indicated in the figure.

Final check

- 1. Connect the appliance to the mains supply and switch on the mains supply.
- 2. Check function.

For equipment with a cooling fan



- 1 Fan
- 2 Control panel
- 3 Door

- The Built-in cooling fan cools both the built-in cabinet and the front of the appliance.

i NOTE

Cooling fan continues to run for up to 20-30 minutes (approx.) even after the oven is turned off.

3 PREPARATION

Tips for saving energy

The following tips will help you to use your appliance in an ecological way and to save energy:

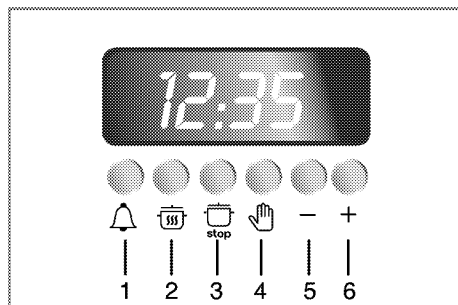
- Use dark colored and enamel coated trays, since the heat transmission will be better.
- While cooking your meals, perform a preheating operation if it is advised in the user manual or cooking instructions.
- During cooking, do not open the oven door frequently.
- Try to cook more than one type of meal within the oven at the same time (You can cook two different meals at the same time by locating cooking bowls on the same shelf). It will be suitable to cook more than one meal after each other. The oven will already be hot.
- Defrost frozen meals before cooking them.
- You can save energy by switching off your oven a few minutes before the end of the cooking time (The oven door should not be opened).

Initial operation

Before first usage of your appliance, don't forget to remove the sticker on the digital timer screen.

Setting the time

i IMPORTANT: Before using the oven the clock time must be set. If the clock time is not set, the main oven will not work.



Keys for:

- 1 Alarm clock
 - 2 Duration
 - 3 End of cooking time
 - 4 Manual mode & Time of the day
- Keys for time adjustment:
- 5 Minus key
 - 6 Plus key

1. Press key 4.
2. Set clock with key 5 or key 6. By pressing the key shortly, you advance or reset the clock by one minute. When you keep the individual key pressed, the minutes are advanced or reset quickly.

First cleaning of the appliance

i IMPORTANT: When removing appliance for cleaning and/or service;

Disconnect AC power supply.

Carefully remove the range by pulling outward.

i NOTICE: The surface might get damaged by some detergents or cleaning materials.

Do not use aggressive detergents, cleaning powder/cream or any sharp objects. Be careful to avoid steam burn. Some cleaners can produce noxious fumes if applied to a hot surface.

1. Remove all packaging materials.
2. Wipe the surfaces of the appliance with a damp cloth or sponge and dry with a cloth.

Initial heating



WARNING: Hot surfaces may cause burns!

Do not touch the hot surfaces of the appliance. Use oven gloves. Keep children away from the appliance.

i IMPORTANT: Smell and smoke may emit during first heating. Ensure that the room is well ventilated.

Any production residues or conservation layers must be burnt off before the first use. Heat up the appliance for about 30 minutes and then switch it off.

Electric oven

1. Take all baking trays and racks from the oven.
2. Close oven door.
3. Select top and bottom heat with the function knob.
4. Select the highest temperature with the thermostat knob; see How to use the electric oven, page 23.
5. Heat approximately 30 minutes.
6. Switch off oven; see How to use the electric oven, page 23.

Broil oven

1. Take all baking trays and wire shelf from the oven.
2. Close oven door.
3. Select highest power of the broil; see How to operate the broil, page 26.

4. Heat approximately 30 minutes.
5. Switch off broil; see How to operate the broil, page 26

4 HOW TO OPERATE THE OVEN

General information on baking, roasting and broiling

DANGER:

Risk of scalding by hot steam!

Stand away from the oven when opening oven door. Hot air or steam which escapes can cause burns to hands, face, and/or eyes.

Let hot air or steam escape before removing or replacing food.

Tips for baking

- Use non-stick coated appropriate metal plates or aluminum containers or heat-resistant silicone moulds.
- Make best use of the space on the rack.
- It is recommended to place the baking mould in the middle of the rack.
- Select the correct shelf position before turning the oven or broil on do not move oven shelves when hot.
- Always place oven racks in desired location while oven is cool. If rack must be moved while oven is hot, do not let potholder contact hot heating element in oven.
- Keep the oven door closed.

Tips for roasting

- Seasoning with lemon juice and black pepper will improve the cooking performance when cooking a whole chicken, turkey or a large piece of meat.
- Meat with bones takes about 15 to 30 minutes longer before it is cooked than a roast of the same size without bones.

- You should calculate about 4 to 5 minutes cooking time per centimeter height of the meat.
- Let meat rest in the oven for about 10 minutes after the cooking time. The juice is better distributed all over the roast and does not run out when the meat is cut.
- Fish in a fire-resistant dish should be placed on the rack at the medium or lower level.

Tips for broiling

Broiling is ideal for cooking meat, fish and poultry and will achieve a nice brown surface without it drying out to much. Flat pieces, meat skewers and sausages are particularly suited for broiling as are vegetables with a high water content such as tomatoes and onions.

- Distribute the pieces to be broiled on the wire shelf.
- If the broiling is on the wire shelf, locate a dripping pan under it in order to collect the fat.
- Add some water in dripping pan for easy cleaning.

How to use the electric oven

IMPORTANT:

Before using the oven, the clock time must be set. If the clock time is not set, the main oven will not work.

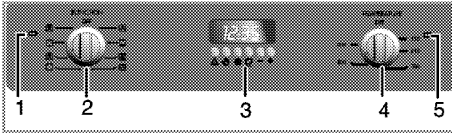
IMPORTANT:

Food Poisoning Hazard

Do not let food sit in oven more than one hour before or after cooking.

Doing so can result in food poisoning or sickness.

Select temperature and operating mode



- 1 Warning lamp
- 2 Function knob
- 3 Digital timer
- 4 Thermostat knob
- 5 Thermostat lamp

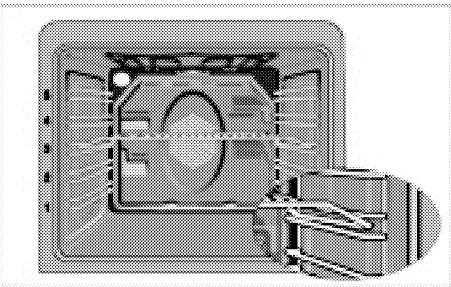
The operating modes of the electric oven are selected with the function knob. The temperature is adjusted with the thermostat knob.

All oven functions are turned off by turning the relevant knob to off (upper) position.

1. Set thermostat knob to the desired temperature.
 2. Set function knob to the required operating mode.
- » The oven heats up to the adjusted temperature and maintains it. During heating, temperature lamp stays on.

Switch off electric oven

Turn function knob and thermostat knob to off position (top).



Shelf positions

It is important to position the wire shelf on side rack correctly. The wire shelf must be

placed so that it will fit into the opening of the wire shelf as illustrated in the figure.

Operating modes

All functions for the ovens (also included main oven) are listed in this section.

The order of operating modes shown here might deviate from the arrangement on your appliance.

Static



Top and bottom heat are on. The foodstuffs are heated simultaneously from the upper and lower part. Suitable for cakes, cookies or cakes and casseroles in baking moulds. Cook with one tray only.

Bottom heat



Only bottom heat is on. Is particularly suitable for dishes, such as pizza, which are required to be baked from bottom.

Top and bottom heat with convection air



Top and bottom heat plus fan (in the rear wall) are on. The hot air is distributed evenly and quickly all over the oven by the fan. Cook with one tray only.

Operating with fan



The oven is not heated. Only the fan (in the rear wall) is in operation. Frozen granular food is thawed slowly at room temperature and cooked food is cooled down.

Hot air



The heating ring with fan (in the rear wall) is in operation. The hot air is distributed evenly and quickly all over the oven by the fan. In most cases, preheating is not required. Suitable when several levels are used for the preparation

of food. Suitable for cooking with multi trays.

"3D" function



Top heat, bottom heat plus ring heat with fan (in the rear wall) are on. The food to be cooked is evenly and quickly cooked all around. Cook with one tray only.

Broil



The large (under the oven roof) is in operation. Suitable for broiling larger quantities.

- Put big or medium-sized portions in correct shelf position under the broil heater for broiling.
- Set the temperature to maximum level.
- Turn the food after half of the broiling time.

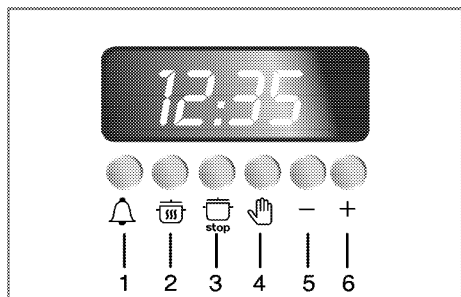
Broil with convection air



The broil effect is not as strong as with normal broiling.

- Put small or medium-sized portions in correct shelf position under the broil heater for broiling.
- Set the temperature to maximum level.
- Turn the food after half of the broiling time.

How to operate the oven timer



Keys for:

- 1 Alarm clock
 - 2 Duration
 - 3 End of cooking time
 - 4 Manual mode & Time of the day
- Keys for time adjustment:
- 5 Minus key
 - 6 Plus key

i IMPORTANT:

The maximum time to be set for the end of the cooking process is 12 hours. In case of power cut, program will be canceled. Reprogram is needed.

Switch on fully automatic operation

In this mode of operation, after setting the finishing time, you can set time of cooking. Oven adjust and starts automatically.

1. Press key 3.
2. Set end of the cooking time with key 5 or key 6. By pressing the key shortly, you advance or reset the clock by one minute. When you keep the key pressed, the minutes are advanced or reset quickly.
 - » The indication "**AUTO**" lights up on the display.
3. Keep key 2 pressed.
4. Set the cooking time with key 5 or key 6. By pressing the key shortly, you advance or reset the clock by one minute. When you keep the key pressed, the minutes are advanced or reset quickly.
5. Put your dish into the oven.
6. Select operating mode and temperature.
 - » The oven is heated up to the set temperature and keeps this

temperature until the end of the cooking time that has been selected. During the cooking process, the cooking symbol on the display is lit.

9. Press key **3** as soon as the cooking process has been completed and an alarm sounds.
10. Switch the oven off with the thermostat knob and/or the function knob.
11. Press key **4**.
 - » The indication "**AUTO**" on the display goes off.

Switch on semi-automatic operation

In this mode of operation, after set the time of cooking, oven start the cooking.

1. Press key **2**.
2. Set the cooking time with key **5** or key **6**. By pressing the key shortly, you advance or reset the clock by one minute. When you keep the key pressed, the minutes are advanced or reset quickly.
 - » The indication "**AUTO**" lights up on the display.
3. Put your dish into the oven.
4. Select operating mode and temperature.
 - » The oven is heated up to the set temperature and keeps this temperature until the end of the cooking time that has been selected. During the cooking process, the cooking symbol on the display is lit.
5. Press key **3** as soon as the cooking process has been completed and an alarm sounds.
6. Switch the oven off with the thermostat knob and/or the function knob.
7. Press key **4**.

- » The indication "**AUTO**" on the display goes off.

IMPORTANT:

When you press key **2** during the cooking process, the display will show the remaining cooking time for a short moment.






















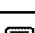



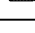

Interrupting the cooking process

1. Keep key **2** pressed.
2. Keep key **5** pressed until "**0.00**" is shown as remaining cooking time on the display.
3. Release key **2**.
4. Press key **4**.
 - » The indication "**AUTO**" on the display goes off.
5. Switch the oven off with the thermostat knob and/or the function knob.

Cooking times table

IMPORTANT:

The values indicated in the table below are data indicative. They may vary according to the type of food as well as your preferences of cooking.

Food	Cooking level number		Rack position	Temperature (°F)	Cooking time (min.) (approx.)
Cake in tray	One level		3	350	25 ... 30
Cake in mould	One level		2	355	40 ... 50
Cakes in paper	One level		3	350	25 ... 30
	2 levels		1 - 5	350	30 ... 40
	3 levels		1 - 3 - 5	355	45 ... 55
Sponge cake	One level		3	390	5 ... 10
	2 levels		1 - 5	350	20 ... 30
Cookies	One level		3	350	25 ... 30
	2 levels		1 - 5	340 ... 375	30 ... 40
	3 levels		1 - 3 - 5	350	35 ... 45
Dough pastry	One level		2	390	30 ... 40
	2 levels		1 - 5	390	45 ... 55
	3 levels		1 - 3 - 5	390	55 ... 65
Filled savory pastry	One level		2	390	25 ... 35
	2 levels		1 - 5	390	35 ... 45
	3 levels		1 - 3 - 5	375	45 ... 55
Leaven	One level		2	390	35 ... 45
	2 levels		1 - 3	375	35 ... 45
Lasagna	One level		2-3	390	30 ... 40
Pizza	One level		2	390 ... 430	15 ... 20
Lamb haunch (casserole)	One level		3	25 min. max after 355...375	70 ... 90
Roast chicken	One level		3	15 min. max after 355... 375	55 ... 65
	One level		2	15 min. max after 355...375	55 ... 65
Turkey (5.5 kg)	One level		2	25 min. max after 355...375	150 ... 210
	One level		2	25 min. max after 355...375	150 ... 210
Fish	One level		2	390	20 ... 30
	One level		3	390	20 ... 30

While cooking with 2 trays at the same time, place the deep tray to the upper shelf and shallow tray to the lower shelf.

It is suggested to perform preheating for all foods.

(**) For preheating, set the required temperature, the thermostat lamp will go out when the required temperature is reached.

Baking and roasting

i IMPORTANT: Level 1 is the **bottom** level in the oven.

Tips for baking cakes

1. If pastry is too dry,
 - » Increase the temperature by 50°F and reduce the cooking time.
2. If pastry dropped,
 - » Use less liquid or lower the temperature by 50°F.
3. If pastry is too dark on top,
 - » Place it on a lower rack, lower temperature, and increase the cooking time.
4. If cooked well on the inside but sticky on the outside,
 - » Use less liquid, lower the temperature, and increase the cooking time.

Tips for baking pastry

1. If the pastry is too dry,
 - » Increase the temperature some 50°F and decrease the cooking time.
 - » Dampen the layers of dough with a sauce composed of milk, oil, egg and yogurt.
2. If the pastry takes too long to bake,
 - » Make sure that the thickness of the pastry you have prepared does not exceed the depth of the tray and remain level with it.
3. If the upper side of the pastry gets browned, but the lower part is not cooked,
 - » Make sure that the amount of sauce you have used for the pastry is not too much at the bottom of the pastry. Try to

scatter the sauce equally between and on the dough layers for an even browning.

» Cook the pastry in accordance with the mode and temperature given in the cooking table. If the bottom part is still not browned enough, place it on one-layer-lower shelf next time.

Tips for cooking vegetables

1. If the vegetable dish runs out of juice and gets to dry,
 - » Since using a lid during cooking will keep the juice of the dish in the pan, cook your vegetable dishes in a pan with a lid instead of a tray.
2. If a vegetable dish does not get cooked,
 - » Boil the vegetables beforehand or prepare them like canned food and put in the oven.

How to operate the broil

i IMPORTANT:

Before using the oven the clock time must be set. If the clock time is not set, the main oven will not work.



WARNING:

Hot surfaces may cause burns!

Close oven door during broiling.

Switch on broil

1. Set the function knob onto the broil symbol.
2. Set broil temperature.
3. Preheat for approximately 5 minutes, if it is necessary.
 - » The thermostat lamp is switched on.

Switch off broil

1. Turn broil control knob to off position (top).

Shelf positions

For optimum broil coverage, position the wire shelf towards the front of the oven just out of contact with the glass door. Placing the wire shelf fully to the rear of the oven will reduce the broil coverage.

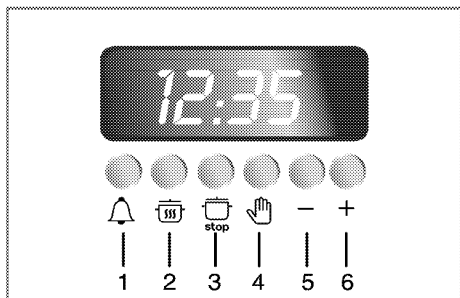
Cooking times table for broiling

Food	Insertion level	Grilling time (approx.)
Fish	4...5	20...25 min. #
Sliced chicken	4...5	25...35 min.
Lamb chops	4...5	20...25 min.
Roast beef	4...5	25...30 min. #
Veal chops	4...5	25...30 min. #
Toast bread	4	1...2 min.
# depending on thickness		

How to use the alarm clock

In addition to using the timer for cooking, it can be also used as a reminder or an alarm clock.

As soon as the defined period of time has expired, the alarm clock will emit a signal. The alarm clock has no influence on the functions of the oven.



Keys for:

- 1 Alarm clock

- 2 Duration
- 3 End of cooking time
- 4 Manual mode & Time of the day
Keys for time adjustment:
- 5 Minus key
- 6 Plus key

Setting the alarm clock

1. Press key 1.

i IMPORTANT:

- The maximum alarm time can be 23 hours and 59 minutes.
2. With key **5** or key **6** you can set the period of time which is to elapse before the alarm signal sounds. By pressing the key shortly, you advance or reset the clock by one minute. When you keep the individual key pressed, the minutes are advanced or reset quickly.

» The alarm clock symbol on the display lights up.

i IMPORTANT:

When you press key 1 while the alarm clock is activated, the display will show the remaining cooking time for a short moment.

Switching off the alarm

1. Press any key as soon as the alarm signal sounds.
- » The alarm clock symbol on the display is extinguished.

In order to cancel set alarm time;

1. To reset the alarm time, key **1** pressed.
2. Keep key **5** pressed until "0.00" is shown as remaining time on the display.

» The alarm clock symbol on the display is extinguished.

5 MAINTENANCE AND CARE

General information

⚠ DANGER:

Risk of electric shock!

Switch off the electricity before cleaning appliance to avoid an electric shock.



DANGER: Hot surfaces may cause burns!

Allow the appliance to cool down before you clean it.

i NOTICE:

The surface might get damaged by some detergents or cleaning materials.

Do not use aggressive detergents, cleaning powder/cream or any sharp objects.

Clean the appliance thoroughly after each use; in this way it will be possible to remove cooking residues more easily, thus avoiding these from burning the next time the appliance is used.

No special cleaning agents are required for cleaning the appliance. It is recommended to use warm water with washing liquid, a soft cloth or sponge and use a dry cloth for drying.

Do not use any abrasive cleaning materials!

i IMPORTANT:

Do not use steam cleaners for cleaning.

Cleaning the control panel

i NOTICE:

Damage of the control panel!

Do not remove the control knobs for control panel cleaning.

Clean control panel and control knobs.

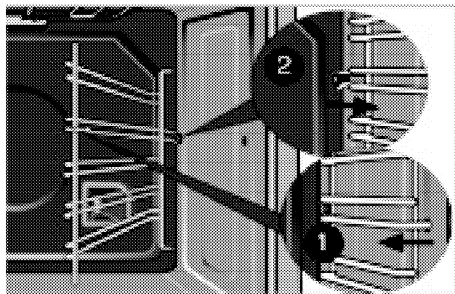
Cleaning the oven

No oven cleaner or any other special cleaning agent is required for cleaning the oven. It is recommended to wipe the oven with a damp cloth while it is still warm.

Do not allow fat or oils to build up in the oven base, or oven accessories.

To clean the side wall,

1. Remove the front section of the side rack by pulling it in the opposite direction of the side wall.
2. Remove the side rack completely by pulling it towards you.



Catalytic walls

Side walls or just back wall of oven interior may be covered with catalytic enamel.

The catalytic walls of the oven must not be cleaned. The porous surface of the walls is self-cleaning by absorbing and converting spitting fat (steam and carbon dioxide).

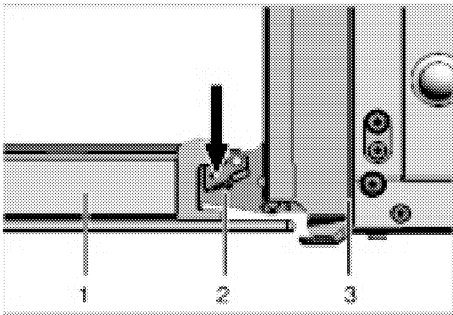
Clean oven door

Don't use any harsh abrasive cleaners or sharp metal scrapers for cleaning the oven door. They could scratch the surface and destroy the glass.

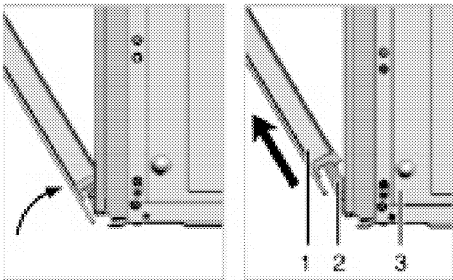
Removal of oven door

1. Open the front door.
2. Open the clips at the hinge housing on the right and left hand sides of the front door by pressing them down as

illustrated in the figure.



- 1 Front door
- 2 Hinge
- 3 Oven



3. Move the front door to half-way.
4. Remove the front door by pulling it upwards to release it from the right and left hinges.

i NOTICE:

Steps carried out during removing process should be performed in reverse order (steps 4, 3, 2 and 1) to reattach the door. Do not forget to close the clips at the hinge housing when reinstalling the door.

Replacing the oven lamp

⚠ DANGER:

Hot surfaces may cause burns!

Make sure that the appliance is switched off and cooled down in order to avoid the risk of an electrical

shock.

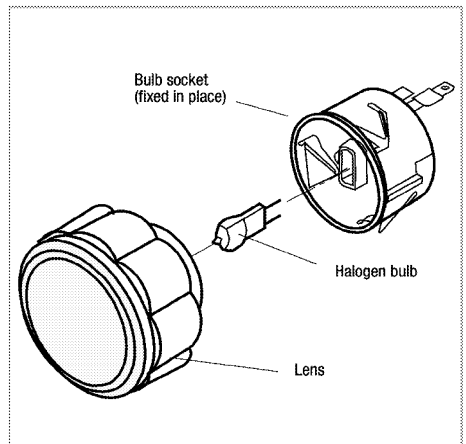
The lenses must be in place when using the oven.

The lenses serve to protect the light bulb from breaking.

The lenses are made of glass. Handle carefully to avoid breakage. Broken glass could cause an injury.

i NOTICE:

Position of lamp might vary from diagram.



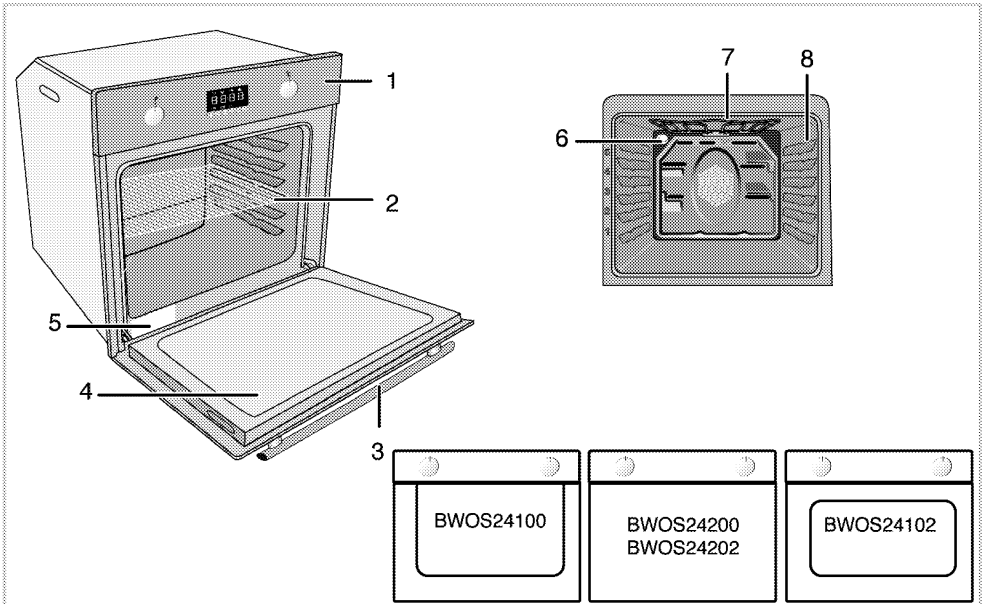
Each oven is equipped with two halogen lights located in the back wall of the oven. The lights are switched on when the door is opened or when the oven is in a cooking cycle. The oven lights are not illuminated during self clean. Each light assembly consist of a removable lens, a light bulb as well as a light socket housing that is fixed in place. Light bulb replacement is considered to be a routine maintenance item.

To replace a light bulb:

1. Read warning on this page.
2. Turn off power at the main power supply (your fuse or breaker box).

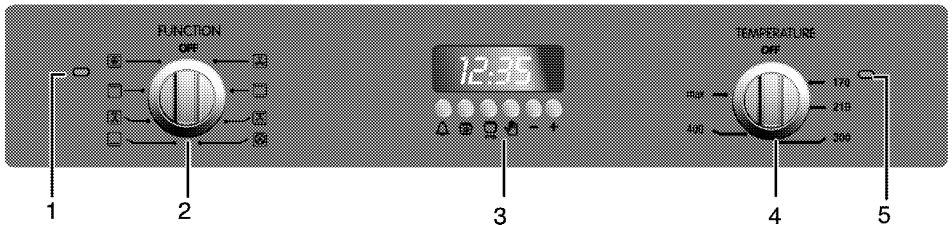
6 GENERAL INFORMATION

Overview



1. Control panel
2. Wire shelf
3. Handle
4. BWOS 24100 has -U- shaped stainless steel door capping
- BWOS 24200 -24202 glass door no capping

- BWOS 24102 has -O- shaped stainless steel door capping
5. Rating label
6. Lamp
7. Top heating element
8. Shelf positions



1. Warning lamp
2. Function knob
3. Digital timer
4. Thermostat knob
5. Thermostat lamp

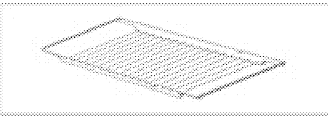
Technical Data

GENERAL	
Outer dimensions (height/width/depth)	595 mm(23" 27/64) /594 mm(23" 25/64) /567 mm (22" 21/64) inches
Installation dimensions (height/width/depth)	590 or 600 mm (23" 15/64 or (23" 5/8) /560 mm (22" 3/64) /min. 550 mm (21" 21/32) inches
Voltage/frequency	120/240V ~ 60 Hz
Total electric power	2,5 kW
Fuse protection	min. 20 A
Cable type / cross section	BC-SIL 4X15 AWG
Cable length	min. 3 max. 6 feet
Main oven	Multifunction oven
Inside illumination	15–25 W
Broil power consumption	2.2 kW

Accessories supplied with the unit

i IMPORTANT: Accessories supplied can vary depending on the product model. All the accessories described in the user manual may not exist on your product.

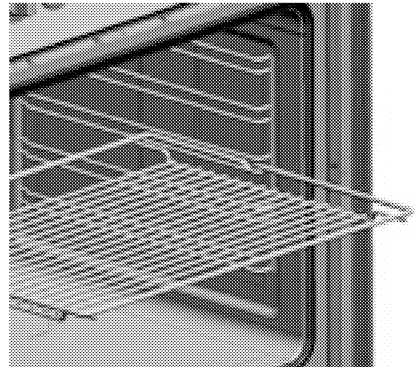
Wire shelf



Can be used for roasting and as deposit for baking, roasting and casserole dishes.

Proper positioning of the wire shelf on sliding shelves

It is important to position the broil and/or dripping pan on the wire shelves correctly. Slide the broil or the dripping pan completely between the 2 rails and make sure it is stable before putting a dish on it (Please see the following figure).



7 TROUBLESHOOTING

DANGER

Risk of electric shock, short circuit or fire by unprofessional repairs!

Repairs on the appliance must be carried out by an approved service centre.

- Smoke and smell may emit for a couple of hours during the first operation.
- It is normal that steam escapes during operation.
- When the metal parts are heated, they may expand and cause noise.

Normal operating conditions

Before you call the service, please check the following points

Electrical equipment

Malfunction/problem	Possible cause	Advice/remedy
The appliance does not work.	The mains fuse is defective or has tripped.	Check fuses in the fuse box. If necessary, replace or reset them.
	Appliance's plug can not be connected to the grounded socket.	Check the plug connection.
	Timer buttons do not work.	Keylock may be enabled. Please disable it(See; How to use the program lock,
Oven light does not work	Oven lamp is defective.	Replace oven lamp.
	No current.	Check fuses in the fuse box. If necessary, replace or reset them.
Oven does not heat.	Function knob and/thermostat knob are not set.	Set function knob and thermostat knob.
	If the appliance has a timer, the timer may not be set.	Set the time.
	No power.	Check main power supply and fuse box.

Clock/ timer (If the appliance has a digital timer)

Malfunction/problem	Possible cause	Advice/remedy
Clock display is blinking or clock symbol is on.	Power was interrupted previously.	Set time Then switch the oven off with function knobs, set the oven function again.

If the problem has not been solved:

1. Separate unit from the mains supply (deactivate or unscrew fuse).
2. Call the after-sales service of your store reseller.

IMPORTANT

Do not attempt to repair the appliance yourself. There are no customer service items inside the appliance.

8 WARRANTY STATEMENT for Blomberg Electric and gas ranges

Cooking Appliances(wall ovens / cooktops)

The warranties provided by Blomberg in these statements only apply to Blomberg cooking appliances(wall ovens / cooktops) sold to the original purchaser or homeowner

in the US and Canada. The warranty is not transferable. To obtain warranty service, please contact our nearest distributor as listed by state. You will need your cooking appliances(wall ovens / cooktops) model number, serial number, retailer name and address, where purchased and purchase date / installation date. This warranty gives you specific legal rights, and you may also have other rights which vary from state to state.

1 year * limited warranty from date of first installation Blomberg will repair or replace at no cost to the consumer any defective parts of the cooking appliances(wall ovens / cooktops) if used under normal household conditions (warranty is void if the product is used commercially). Service must also be performed by an authorized Blomberg service agency **otherwise the warranty is void.** (Cosmetic defects must be reported within 10 business days from installation)

2 year * ++ limited warranty from date of first installation (Parts only) Blomberg will repair or replace any parts at no cost to the consumer if material defects or workmanship have caused the damage or failure of these components. Again the appliance must have been used under normal household conditions and not commercially as stated above (Labor charges are the responsibility of the consumer)

5 year * ++ limited warranty from date of first installation (parts only 2-5 years) Blomberg will repair or replace any circuit boards at no cost to the consumer if material defects or workmanship **by an authorized service** have caused the damage or failure of these components. The cooking appliances(wall ovens / cooktops) must have been used under normal household conditions and not commercially (Labor charges are the responsibility of the consumer).

Lifetime limited warranty from date of first installation * ++ (parts only).

Disclaimers of warranties and exclusions: Warranty does not cover service costs by an authorized service agent to correct installation, electrical problems or educational instruction on the use of the cooking appliances(wall ovens / cooktops). The warranty also does not cover defects or damage caused by an act of god (such as storms, floods, fires, mudslides, etc.), damage cause by use of the cooking appliances(wall ovens / cooktops) for purposes other than those for which it was designed, misuse, abuse, accident, alteration, improper installation, maintenance, travel fees, service calls outside normal service hours, unauthorized service work or work.

This product is fully tested and went through official quality assurance inspections before leaving the original manufacturing site. Warranty terms for this Blomberg household appliance is not valid if the product is altered, tampered, modified, additional parts assembled, fixed and re-packed by an authorized distributor, servicer, a third party retailer, reseller or by any other unauthorized person(s).

TO THE EXTENT PERMITTED BY LAW, THIS WARRANTY IS IN LIEU OF ALL OTHER EXPRESSED AND IMPLIED WARRANTIES, INCLUDING THE IMPLIED WARRANTIES OF MERCHANTABILITY AND FITNESS FOR A PARTICULAR PURPOSE. BLOMBERG UNDERTAKES NO RESPONSIBILITY FOR THE QUALITY OF THIS PRODUCT EXCEPT AS OTHERWISE PROVIDED IN THIS WARRANTY STATEMENT. BLOMBERG ASSUMES NO RESPONSIBILITY THAT THE PRODUCT WILL BE FIT FOR ANY PARTICULAR PURPOSE FOR WHICH YOU MAY BE BUYING THIS PRODUCT, EXCEPT AS OTHERWISE PROVIDED IN THIS WARRANTY STATEMENT.

Blomberg does not assume any responsibility for incidental or consequential damages. Such damages include, but are not limited to, loss of profits, loss of savings or revenue, loss of use of the washer or any associated equipment, cost of capital, cost of any substitute equipment, facilities or services, downtime, the claims of third parties, and injury to property. Some states do not allow the exclusion or limitation of incidental or consequential damages, so the above limitations or exclusion may not apply to you.

* installation date shall refer to either purchase date or 5 business days after delivery of the product to the home, whichever is later.

++Parts replaced will assume the identity of the original parts + their original warranty.

No Other Warranties. This Warranty Statement is the complete and exclusive warranty from the manufacturer. No employee of Blomberg or any other party is authorized to make any warranty statements in addition to those made in this Warranty Statement. Please keep this warranty card, user manual and your sales slip for future reference.

HOW TO GET SERVICE

Please contact the Distributor for your State or Province as listed on the Distributor Contact List, or call our Toll Free Number at 1 800 459 9848 for direction to an Authorized Blomberg Service Agent. 02 01.

Veillez lire ces instructions avant l'installation ou l'utilisation de votre appareil!

Cher Consommateur,

Nous aimerions que vous obteniez la meilleure performance de votre produit qui a été manufacturé dans des installations modernes et passé à travers des procédures strictes de contrôle de la qualité.

Toutefois, nous vous demandons de lire ce manuel de l'utilisateur soigneusement avant d'utiliser votre produit et gardez-le comme référence future. Si vous donnez ce produit à quelqu'un d'autre, donnez-lui le manuel de l'utilisateur également.

Le manuel de l'utilisateur vous aidera à utiliser le produit d'une manière rapide et sécuritaire.

Important : Sauvegarder ces instructions pour l'utilisation par des inspecteurs en électricité locaux.

Les inspections vous aideront à faire fonctionner l'appareil rapidement et sécuritairement.

- Lors de la livraison, vérifier que l'appareil n'est pas endommagé. Si vous notez tout dommage de transport, veuillez contacter votre point de vente immédiatement et ne connectez pas ni ne faites pas fonctionner l'appareil!
- Avant que vous ne connectiez et fassiez fonctionner l'appareil, veuillez lire ce manuel et tous les documents inclus. Veuillez prendre note en particulier de ces instructions de sécurité.
- Gardez tous les documents auxquels vous pouvez vous référer encore dans le futur. Veuillez garder votre reçu pour toutes réparations qui pourraient être requises durant la garantie.
- Lorsque vous donnez votre appareil à une autre personne, veuillez lui fournir tous les documents inclus ainsi que la date d'achat originale. (La garantie n'est pas transférée si l'appareil est vendu).
- Si vous décidez de ne plus utiliser cet appareil (ou décidez de substituer un modèle plus ancien), avant de disposer de celui-ci, il est recommandé de le rendre inopérant de manière appropriée en accord avec les règlements de protection environnementaux et sanitaires, en vous assurant en particulier que toutes les pièces potentiellement dangereuses sont devenues inoffensives, spécialement par rapport aux enfants qui pourraient jouer avec les vieux appareils. Enlever la porte et le tiroir réchaud avant l'évacuation pour prévenir le piégage.

Explications des symboles

Les symboles suivants sont utilisés dans ce Manuel de l'utilisateur:



Information importante ou conseils utiles concernant l'utilisation.



Avertissements concernant des situations dangereuses à l'égard de la vie ou de la propriété.



Avertissement concernant les chocs électriques.



Avertissement concernant les risques de feu.



Avertissement concernant les surfaces chaudes.

Table des Matières

1 INSTRUCTIONS CONCERNANT LA SÉCURITÉ 5

Instructions de sécurité de base	5
Sécurité pour les enfants	7
Utilisation prévue	8
Destruction	9
Matériel d'emballage	9
Transport futur	9

2 INSTALLATION 10

Notes importantes au consommateur .	10
Installation et connexion	14
Connexion à l'alimentation principale .	15
Installation	17

3 PRÉPARATION 18

Conseils pour sauver de l'énergie	18
Manipulation initiale	18
Ajustement du temps	18
Premier nettoyage de l'appareil.	19
Chauffage initial.	19

4 COMMENT FAIRE FONCTIONNER LE FOUR 20

Information générale sur la cuisson, le rôtissage et le brunissage	20
Conseils pour la cuisson	20
Conseils pour le rôtissage	20
Conseils pour le brunissage.	20
Comment utiliser le four électrique. . . .	21
Choisir la température et le mode d'opération	21
Éteindre le four électrique	21
Comment manipuler la minuterie du four	23
Table des temps de cuisson	24
Comment Faire Fonctionner Le Grill. . .	26
Table des temps de cuisson pour le brunissage.	27
Comment utiliser l'alarme de l'horloge.	27

Ajustement de l'horloge d'alarme	28
------------------------------------------	----

5 ENTRETIEN ET SOIN 29

Information générale	29
Nettoyage du panneau de contrôle . . .	29
Nettoyage du four	29
Enlèvement de la porte du four	30
Replacer la lampe du four	31

6 INFORMATION GÉNÉRALE 32

Données techniques	33
Accessoires fournis avec l'unité.	33

7 DÉPANNAGE 34

Équipement électrique	34
---------------------------------	----

8 DÉCLARATION DE GARANTIE pour les appareils électriques et au gaz Blomberg 36

1 INSTRUCTIONS CONCERNANT LA SÉCURITÉ

Instructions de sécurité de base

- Le fabricant se réserve le droit d'apporter des changements sans préavis dans les spécifications techniques afin d'améliorer la qualité de l'appareil. Les figures dans le présent manuel sont à titre d'illustration seulement et peuvent ne pas correspondre exactement à votre appareil. Les valeurs énoncées sur les marquages de l'appareil ou dans d'autres documents imprimés fournis avec l'appareil sont obtenues sous des conditions de laboratoire selon les normes pertinentes. Ces valeurs peuvent varier selon l'usage de l'appareil et les conditions ambiantes.
- Cet appareil n'est pas destiné pour une utilisation par des personnes (incluant les enfants) avec des capacités physiques, sensibles ou mentales réduites, ou un manque d'expérience et de connaissances, sauf s'i elles sont sous la supervision ou en instruction concernant l'utilisation de l'appareil par une personne responsable de leur sécurité.
Les enfants devraient être supervisés pour s'assurer qu'ils ne jouent pas avec l'appareil.
- Installation adéquate - Vous assurer que votre appareil est installé correctement et mis à la terre par un électricien qualifié.
- Ne jamais utiliser votre appareil pour réchauffer ou chauffer la pièce.
- Porter le vêtement approprié: des garnitures amples ou suspendues ne devraient jamais être portés lorsque vous utilisez l'appareil.
- Service de l'Utilisateur - Ne pas réparer ou remplacer toute pièce de l'appareil sauf si c'est recommandé spécifiquement dans ce manuel. Tous les autres travaux de service devraient être référés à un électricien qualifié.
- Utiliser avec précaution lors de l'ouverture de la porte- laisser l'air chaud ou la vapeur s'échapper avant de sortir ou de replacer la nourriture.
- Placement des tablettes du four- toujours placer les tablettes du four à la position désirée lorsque le four est froid. Si la tablette doit être déplacée lorsque le four est chaud, ne pas permettre aux mitaines d'entrer en contact avec l'élément chauffant dans le four.

- Utiliser seulement des mitaines sèches - Des mitaines humides ou mouillées sur les surfaces chaudes peuvent provoquer des brûlures provenant de la vapeur. Ne pas laisser les mitaines toucher aux éléments chauffants chauds. Ne pas utiliser une serviette ou d'autres linges volumineux.
- Ne pas chauffer des contenants de nourriture non ouverts - L'accumulation de pression peut faire éclater le contenant et causer des blessures.
- Garder les conduits de ventilation du four dégagés.
- Veillez à ce qu'aucun des matériaux inflammables ne soit à proximité de l'appareil puisque les côtés deviennent chauds pendant l'utilisation.
- Ne pas placer de plaques de cuisson, de vaisselle ou de papier d'aluminium directement dans le fond du four. L'accumulation de chaleur peut causer des dommages au fond du four.
- Garder toutes les fentes de ventilation libres d'obstructions afin d'éviter une défaillance prématurée de l'élément du four.
- Le fabricant décline toute responsabilité pour des blessures aux personnes ou des dommages à la propriété causés par un usage impropre ou incorrect de l'appareil.
- Ne pas utiliser le four avec le verre de la porte de devant enlevé ou brisé.
- Ne jamais utiliser de l'eau pour éteindre un feu de graisse. Étouffer les flammes ou utiliser un extincteur à poudre ou à mousse.
- La surface arrière du four devient chaude lors de l'utilisation. La connexion électrique ne doit pas toucher la surface arrière, autrement le câble d'alimentation principal sera endommagé. Assurez-vous que le câble principal n'est pas pris entre la porte du four chaud et le cadre. Ne pas faire passer le câble électrique sur la surface de cuisson chaude. Autrement, l'isolation du câble pourrait fondre et causer un incendie suite à un court-circuit.
- Ne portez jamais de vêtements lâches pendant l'utilisation de l'appareil. Soyez prudent en retirant les articles rangés dans les cabinets au-dessus de la cuisinière. Tenez les matériaux inflammables loin des surfaces chaudes ou des éléments chauffants en raison d'un risque de s'enflammer et causants de graves brûlures.
- La flamme dans le four peut être étouffée complètement en fermant la porte du four et éteignant le four ou en utilisant un extincteur à mousse ou à poudre polyvalente.

- Retirer la grille jusqu'à ce qu'elle s'arrête grâce à l'arrêt de blocage est commode pour soulever les aliments pesants. C'est également une précaution contre les brûlures en touchant les surfaces chaudes de la porte ou des parois du four.
- Ne pas utiliser le four pour sécher les journaux. S'ils sont surchauffés, ils peuvent prendre feu.
- L'entreposage dans ou sur l'appareil - Les matériaux inflammables ne doivent pas être entreposés dans le four ou près des unités de surface.
- Ne pas laisser des produits en papier, des ustensiles de cuisson ou de la nourriture dans le four lorsqu'il n'est pas utilisé.
- Après le grillage, toujours sortir le plateau de grillage du four et le nettoyer. De la graisse laissée dans le gril-lêchefrite peut prendre en feu la prochaine fois que vous l'utilisez.
- Vérifier que tous les contrôles de l'appareil sont éteints après usage.

i IMPORTANT:
Appeler le service autorisé pour l'installation de l'appareil avant qu'il soit utilisé. Après cette procédure, la période de garantie débutera.

i IMPORTANT:
NE PAS TOUCHER AUX ÉLÉMENTS CHAUFFANTS OU AUX SURFACES INTÉRIEURES DU FOUR - Les éléments chauffants pourraient être chauds même si leur couleur est foncée. Les surfaces intérieures d'un four deviennent assez chaudes pour causer des brûlures. Pendant et après l'utilisation, ne pas toucher, ou laisser les vêtements ou autres matériaux inflammables en contact avec les unités chauffantes ou les surfaces intérieures du four à moins qu'il y ait eu un temps suffisant de refroidissement. Les autres surfaces de l'appareil peuvent devenir assez chaudes pour causer des brûlures - on retrouve parmi ces surfaces (identification des surfaces - par exemple, les ouvertures pour la ventilation du four et les surfaces près de ces ouvertures, les portes du four, et les fenêtres des portes du four).

Sécurité pour les enfants

ATTENTION : Ne pas entreposer des articles d'intérêt pour les enfants dans les armoires au-dessus de l'appareil ou sur l'arrière de l'appareil - les enfants grimpaient sur l'appareil pour aller chercher ces articles pourraient être sérieusement blessés.

- Les matériaux d'emballage peuvent être dangereux pour les enfants. Garder les matériaux d'emballage loin des enfants. Veuillez disposer de toutes les parties de l'emballage selon les dispositifs environnementaux.
- Les pièces accessibles peuvent être chaudes lorsque le gril est en usage. Les jeunes enfants devraient être gardés éloignés.
- Ne pas laisser les enfants seuls -- les enfants ne devraient pas être laissés seuls ou sans surveillance dans un endroit où l'appareil est en utilisation. Ils ne devraient jamais avoir la permission de s'asseoir ou de se tenir sur n'importe quelle partie de cet appareil.
- Ne jamais toucher ; a l'appareil avec les mains ou les pieds humides.
- Ne pas mouiller les éléments chauffants enlevables. Les éléments chauffants ne devraient jamais être immergés dans l'eau.

Utilisation prévue

i AVIS : Ce produit est conçu pour des fins domestiques uniquement. Il n'est pas conçu pour toutes autres utilisations comme le chauffage d'une pièce ou pour faire sécher des serviettes ou des linges à vaisselle. Un usage commercial annulera la garantie.

- Cet appareil n'est pas prévu pour être utilisé dans des maisons mobiles ou véhicules récréatifs.
- Toutes les ouvertures sur le mur derrière l'appareil et dans le plancher sous l'appareil doivent être scellées.
- Ne pas obstruer le débit d'air de ventilation.
- Le fabricant ne sera pas tenu responsable pour tout dommage causé par une utilisation impropre ou des erreurs de manipulation. L'appareil peut être utilisé pour dégeler, cuire, rôtir et griller la nourriture.

Sécurité lors du travail avec l'électricité

- tout travail avec de l'équipement et les systèmes électriques peut être réalisé par des personnes qualifiées autorisées.
- En cas de tout dommage, éteindre l'appareil et le déconnecter du contrôle principal en enlevant le fusible ou en éteignant le disjoncteur.
- Vous assurer que la force du fusible est correcte.
- Ne pas utiliser l'appareil les pieds nus.

Destruction

Matériel d'emballage

⚠ DANGER: Il y a des risques de suffocation par le matériel d'emballage!

Les éléments d'emballage (c.a.d. sacs de plastique, mousse en polystyrène, clous, courroies d'emballage) ne devraient pas être laissés facilement à la portée des enfants, car ils peuvent causer des blessures sérieuses.

Le matériel d'emballage et les serrures de transport sont faits de matériaux qui ne sont pas nuisibles pour l'environnement. Veuillez disposer de toutes les parties de l'emballage selon les dispositifs environnementaux. C'est bénéfique pour l'environnement.

Transport futur

N'exécutez pas d'opérations de nettoyage ou de maintenance sur l'appareil sans l'avoir auparavant déconnecté de l'alimentation électrique.

i AVIS : Ne placez pas d'autres objets sur le dessus de l'appareil. L'appareil doit être transporté à la verticale.

Entreposez la boîte originale de l'appareil et transportez l'appareil dans son carton original. Suivre les marques d'orientation qui sont imprimées sur le carton.

i IMPORTANT: Vérifier l'apparence générale de votre équipement en identifiant tout dommage possible de ce dernier pendant le transport.

Pour prévenir que des dommages soient causés à la porte du four par la tablette en fil et le bac à l'intérieur du four, placer un bande de carton à l'intérieur de la porte du four en ligne avec la position des bacs. Bander la porte du four aux murs de côté.

Si vous n'avez pas le carton original

Emballer l'appareil dans un emballage à bulles ou du carton mince et le bander sécuritairement afin de prévenir tout dommage durant le transport.

2 INSTALLATION

i IMPORTANT:

Le produit devrait être installé uniquement par un électricien adéquatement qualifié.

- Le client est responsable de la préparation de l'emplacement et de l'installation électrique du produit.
- Le produit doit être installé selon tous les règlements électriques locaux.
- Avant l'installation, faire une vérification visuelle pour tous défauts. Si vous en trouvez, ne le faites pas installer.

Les produits endommagés causent des dangers pour votre sécurité.

Avant l'installation

L'appareil est prévu pour une installation dans des armoires de cuisine commercialement disponibles. Une distance sécuritaire doit être laissée entre l'appareil et les murs et l'ameublement de la cuisine. Voir figure (valeurs en mm).

- Les surfaces, les stratifiés synthétiques et les adhésifs utilisés doivent être résistants à la chaleur.
- Les armoires de cuisine doivent être de niveau et bien fixées.
- S'il y a un tiroir sous le four, une tablette doit être installée entre le four et le tiroir.
- Les dessins d'installation suivants sont représentatifs et peuvent ne pas correspondre exactement à votre appareil
- La garantie du produit deviendra valide après une installation appropriée. Le fabricant ne sera pas responsable pour tout danger ou dommage causé par une installation ou un usage inapproprié.

- Ne pas tirer le four sur le plancher lors des déplacements afin d'éviter des dommages à la surface du plancher. Toujours déplacer le produit à deux personnes ou plus.
- Enlever tous les matériaux d'expédition à l'intérieur et à l'extérieur du four.
- Enlever tous les équipements à l'intérieur du four y compris les documents imprimés.

Notes importantes au consommateur

Garder ce manuel pour référence future.

- Lorsque vous utilisez tout appareil générant de la chaleur, il y a certaines précautions que vous devriez suivre. Ils sont inscrits au début de ce manuel. Lire et suivre attentivement.
- Vous assurer que cet appareil est installé et mis à la terre correctement par un installateur qualifié ou un technicien de service.

Conditions d'installation

- Toutes les dimensions dans le présent manuel sont en millimètres.
- Le four a les dimensions données en Figure B.
 - * : excluant la poignée
 - ** : minimum
- Le produit devrait être installé aux cabinets avec les dimensions spécifiées pour les différents types d'emplacement.
- La première étape de l'installation est de vérifier les dimensions de votre ouverture existante. Pour les nouvelles commandes d'ameublement, ces dimensions devraient être considérées.

- Tous les travaux concernant les armoires devraient être complétés avant l'installation et les débris devraient être nettoyés avant l'installation.
- L'armoire de cuisine devrait être fixée et de niveau de sorte que le four fixé ne puisse pencher.
- La planche de l'armoire sur laquelle le four sera placé devrait pouvoir supporter 60 kg ou plus.
- S'il y a un tiroir sous le four, une tablette doit être installée entre le four et le tiroir.
- S'assurer que le cadre du four et le cadre avant de l'armoire chevauchent parfaitement.
- Le cordon d'alimentation ne doit pas être serré, plié ou pressé lors du positionnement du four dans l'armoire. Si le cordon d'alimentation est endommagé, il doit être remplacé par un électricien qualifié avec un nouveau cordon qui a les caractéristiques techniques listées dans le manuel de l'utilisateur.
- Fixer le four à l'armoire à l'aide des vis fournies. Les vis doivent être insérées à travers les plastiques d'installation montés sur les cadres latéraux du four (voir Figure D). Ne pas trop serrer les vis.

Installation sous un dessus de comptoir

- L'armoire devrait avoir les dimensions dans la Figure A.
- Dans l'arrière de l'armoire, il devrait y avoir une ouverture pour une ventilation suffisante d'air.
- L'espace de ventilation d'air entre le four et le dessus de comptoir (Y dans Figure D) ne devrait pas être fermé.

Installation dans une armoire haute

- L'armoire devrait avoir les dimensions dans la Figure C.
- Dans l'arrière de l'armoire, autant en bas qu'en haut de l'armoire, il devrait y avoir une ouverture pour une ventilation suffisante d'air.

Positionner et fixer le four

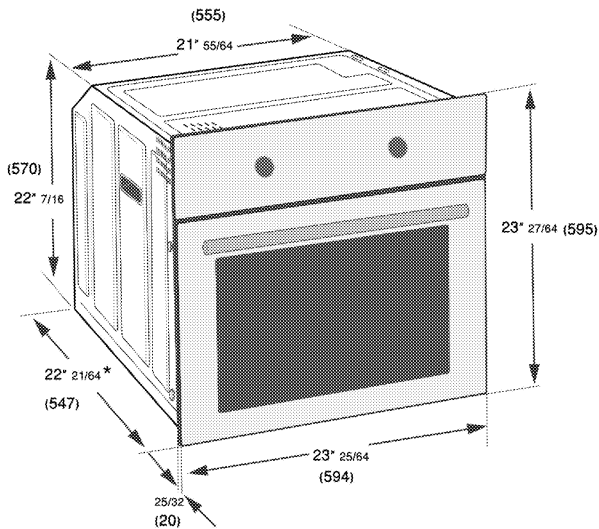
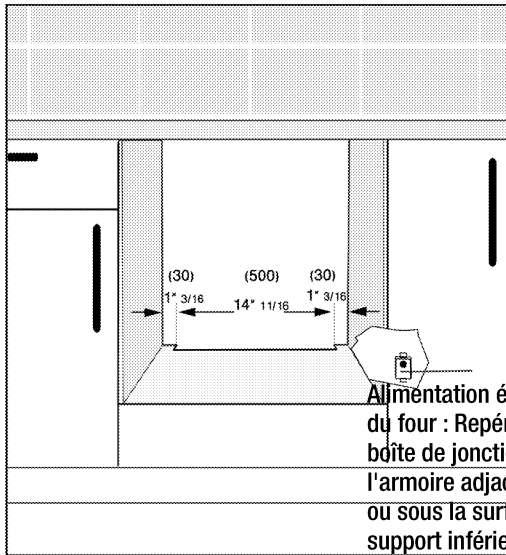
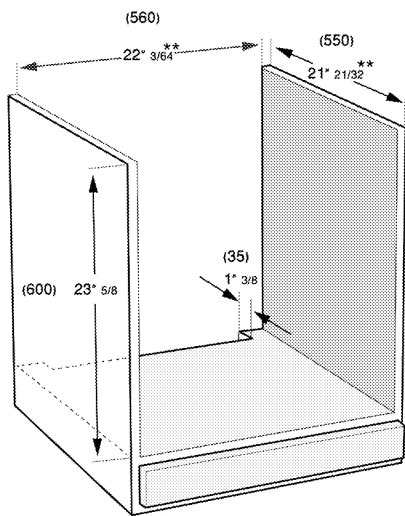
- Mettre le four dans l'armoire à deux personnes ou plus.
- Ne pas transporter ou soulever le four par sa poignée ou par son panneau avant. Utiliser les fentes en plastique sur les deux côtés du four pour transporter le produit.
- Pousser le four dans l'armoire à partir des joints d'étanchéité (Z dans Figure D). Ne pas pousser contre le panneau de contrôle ou les rebords.

- Après l'installation, s'assurer que les vis sont serrées sécuritairement et que le produit ne peut pas bouger. Si le four n'est pas installé et fixé correctement, il y a un risque de basculement.

Vérification finale

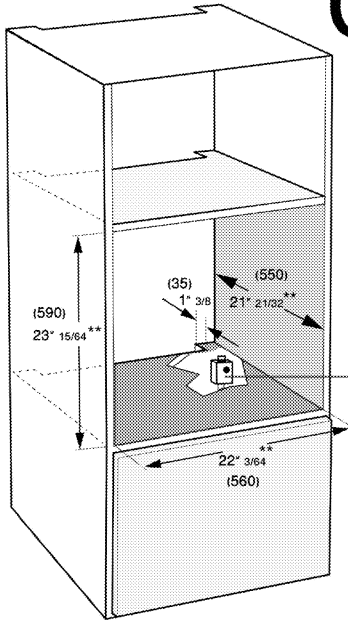
- Mettre l'alimentation sous tension après avoir installé le four.
- Consulter le manuel de l'utilisateur pour la première utilisation du four.
- Vérifier les fonctions.

A

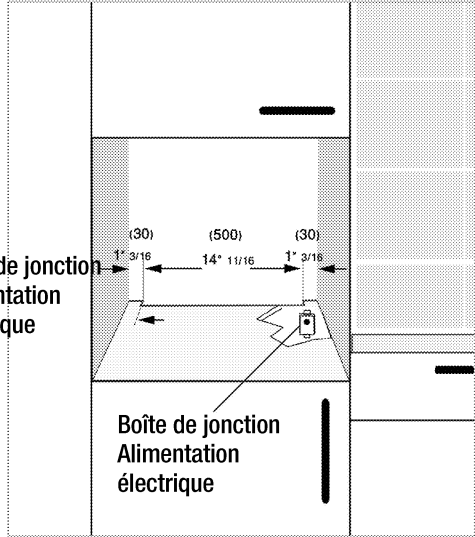


B

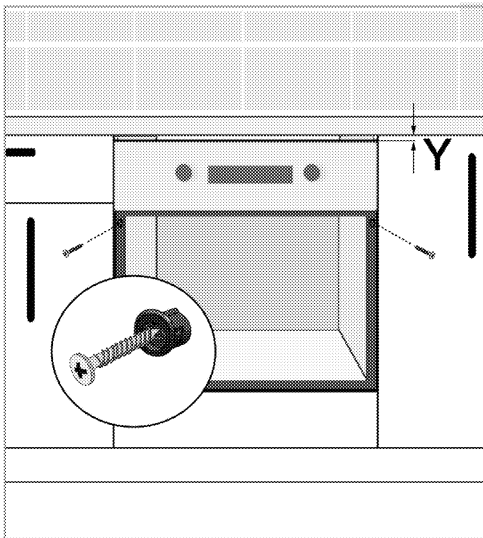
C



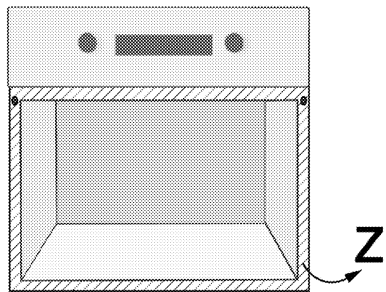
Boîte de jonction
Alimentation
électrique



Boîte de jonction
Alimentation
électrique



D



Installation et connexion

REMARQUE

Dommage matériel

La porte et/ou la poignée ne doivent pas être utilisées pour lever ou bouger l'appareil.

Si l'appareil a des poignées en métal, pousser les poignées dans les parois latérales après avoir déplacé l'appareil.

- Transporter l'appareil à au moins deux personnes.
- Pour l'installation, l'appareil doit être connecté en conformité avec toutes les normes électriques et/ou de gaz locales.

DANGER :

Danger d'Électrocutions!

- Faire très attention en perçant des trous dans le mur ou le plancher. Il pourrait y avoir des fils électriques derrière le mur ou sous le plancher. Ne pas suivre ces instructions peut résulter en une électrocution ou autre blessure.

IMPORTANT:

Dommage matériel !

- Contacter un installateur qualifié ou un entrepreneur afin de déterminer la bonne méthode pour percer des trous à travers le mur ou le plancher (tuile céramique, bois franc, etc.)
- Ne pas glisser l'appareil sur un plancher non protégé.
- Ne pas suivre ces instructions peut résulter en des dommages au mur ou aux revêtements de plancher.

- Le California Safe Drinking Water and Toxic Enforcement Act requiert que le gouverneur de la Californie publie une liste des substances connues par l'État de la Californie pouvant causer le cancer, des défauts à la naissance, ou tout autre danger à la reproduction, et requiert que les entreprises avertissent d'une exposition potentielle à ces substances.

IMPORTANT:

Ce produit contient un produit chimique reconnu par l'état de la Californie comme étant cancérigène et pouvant causer des défauts à la naissance ou autres défauts reproductifs.

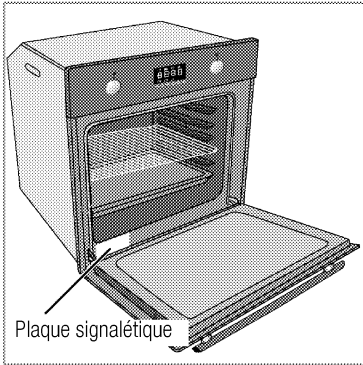
Cet appareil peut vous exposer à certaines substances de faibles niveaux tels que le benzène, le formaldéhyde, le monoxyde de carbone, et le toluène.

Instructions d'installation

- Connexions électriques :
- Remarque pour l'installateur
- Tous les fours encastrés électriques doivent être câblés (câblés directement) dans une boîte de jonction approuvée. Il n'est pas permis d'utiliser une fiche et une prise avec ces produits. Ne pas raccourcir le conduit flexible. La pince de décharge de traction du conduit doit être sécuritairement attachée à la boîte de jonction et le conduit flexible doit être attaché sécuritairement à la pince. Si le conduit flexible ne s'ajuste pas à la pince, ne pas installer le four jusqu'à ce qu'une pince de grandeur appropriée soit obtenue.

Emplacement de la plaque signalétique

Ouvrir la porte avant pour voir la plaque signalétique.



Connexion électrique

i IMPORTANT :

Sauvegarder pour utilisation par des inspecteurs en électricité locaux.

i IMPORTANT :

Tout travail avec de l'équipement et des systèmes électriques peut être effectué uniquement par des personnes qualifiées autorisées.

- Il est important que l'emplacement de l'installation ait un système électrique adéquat. Avant d'installer le four, un électricien qualifié doit vérifier et approuver que l'ajout du four ne surchargera pas le circuit de dérivation sur lequel il sera installé. Les données de l'alimentation principale doivent correspondre aux données spécifiées sur la plaque signalétique de l'appareil. On peut voir la plaque signalétique en ouvrant la porte avant du four.

- L'appareil doit être installé et connecté conformément aux normes nationales et locales.
- Si le câble doit éventuellement être remplacé, il doit correspondre aux spécifications listées dans le manuel de l'utilisateur.
- Mettre l'alimentation hors tension avant d'installer le four. Le produit ne devrait pas être connecté à l'alimentation principale avant que l'installation soit complétée.

Connexion à l'alimentation principale

i **IMPORTANT:** L'installation électrique doit être conforme aux codes nationaux et locaux.

i **IMPORTANT:** Cet appareil doit être mis à la terre!

! **AVERTISSEMENT:** **alimentation électrique !**

L'**alimentation** principale ne doit pas être pliée, serrée ou piégée ou mise en contact avec les parties chaudes de l'appareil.

Si le **cordon d'alimentation** principale est endommagé, il doit être remplacé par un électricien qualifié.

Vous assurer que votre appareil est installé et mis à la terre correctement par un électricien qualifié. Demander à votre marchand de recommander un technicien qualifié ou un service de réparation autorisé.

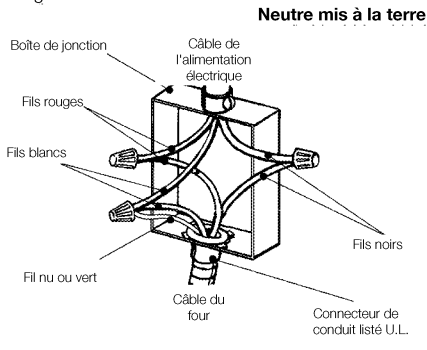
Cet appareil est fabriqué avec un fil de MISE À LA TERRE vert connecté au châssis du four. Après s'être assuré que l'alimentation est hors tension, connecter le conduit flexible du four à la boîte de jonction en utilisant un connecteur de conduit listé U.L. Les Figures A et B et les instructions fournies ci-dessous présentent la façon la plus usuelle de connecter le four. Vos codes et règlements locaux ont la priorité sur celles-ci. Compléter les connexions électriques selon les codes et règlements locaux. « AVERTISSEMENT » Risque d'électrocution, châssis mis à la terre vers le neutre de l'appareil par un lien.

Mettre à la terre par un conducteur neutre est interdit pour de nouvelles installations de circuit de dérivation (1996 NEC) dans les maisons mobiles et les véhicules récréatifs, ou dans un endroit où les codes locaux interdisent de mettre à la terre par un conducteur neutre. Pour les installations où la mise à la terre par un conducteur neutre est interdit:

- Déconnecter la mise à la terre du neutre sur l'extrémité libre du conduit;
- Utiliser un terminal de mise à la terre ou conduire à l'unité de mise à la terre; et
- Connecter le terminal neutre ou conduire au neutre du circuit de dérivation de la manière usuelle.

Fil du circuit de dérivation (pour les É.U. seulement)

Figure A



Consulter la Figure A, où les codes locaux permettent la connexion du fil de MISE À LA TERRE du four au fil NEUTRE du circuit de dérivation (fil gris ou blanc) : • Si les codes locaux le permettent, connecter le fil de MISE À LA TERRE vert à partir du four et le fil blanc du four au fil NEUTRE du circuit de dérivation (fil gris ou blanc).

- Connecter les fils rouge et noir du four aux fils correspondants dans la boîte de jonction.

Fil du circuit de dérivation (pour les É.U. et le Canada)

Consulter la Figure B :

- Déconnecter la mise à la terre du neutre sur l'extrémité libre du conduit;
- Connecter le fil de MISE À LA TERRE vert du four au fil de MISE À LA TERRE dans la boîte de jonction (fil nu ou vert).
- Connecter les fils rouge et noir du four aux fils correspondants dans la boîte de jonction.
- Connecter le fil blanc du four au fil NEUTRE (gris ou blanc) dans la boîte de jonction.
- Cet appareil doit être alimenté avec la bonne tension et la bonne fréquence et doit être connecté à un circuit de

dérivation individuel correctement mis à la terre, protégé par un fusible ou un disjoncteur.

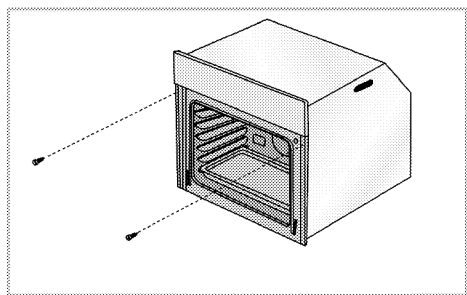
- Voir la plaque signalétique sur la garniture extérieure pour déterminer la cote du produit. Utiliser le tableau ci-dessous pour déterminer la protection minimum recommandée du circuit dédié.

Pour les installations où la mise à la terre à travers un conducteur neutre est interdite.

Les données de l'alimentation principale doivent correspondre aux données spécifiées sur la plaque signalétique de l'appareil. La plaque signalétique peut être vue soit lorsque la porte ou le couvercle inférieur est ouvert ou elle est située sur la paroi arrière de l'appareil dépendant du type d'appareil.

Installation

1. Glisser le four à travers l'ouverture de l'armoire, aligner et fixer.

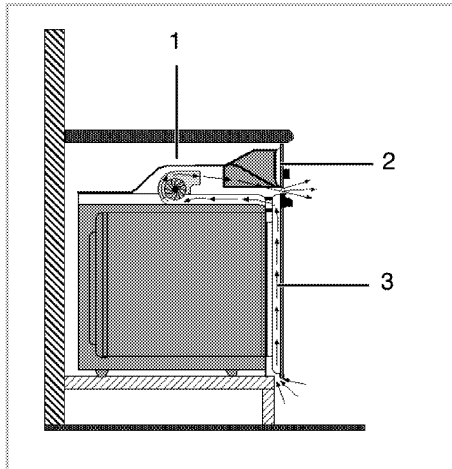


- Fixer votre four avec les 2 vis et rondelles tel qu'illustré dans la figure.

Vérification finale

- 1. Connecter l'appareil à l'alimentation principale et mettre l'alimentation principale sous tension.
- 2. Vérifier les fonctions.

Pour les appareils avec un ventilateur de refroidissement



1 Ventilateur
2 Panneau de contrôle
3 Porte

- Le ventilateur de refroidissement intégré refroidit le cabinet encastré et le devant de l'appareil.

REMARQUE

Le ventilateur de refroidissement continue de fonctionner jusqu'à 20-30 minutes (environ) après que le four soit éteint.

3 PRÉPARATION

Conseils pour sauver de l'énergie

Les conseils suivants vous aideront à utiliser cet appareil d'une façon écologique et pour sauver de l'énergie.

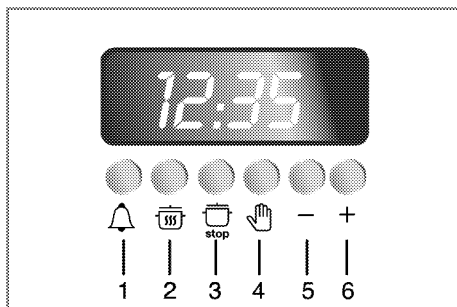
- Utiliser des tablettes foncées colorées et protégées par de l'émail afin que la transmission de chaleur soit meilleure.
- En cuisant vos viandes, effectuez une opération de pré-chauffage si c'est demandé dans le manuel de l'utilisateur ou les instructions de chauffage.
- Durant la cuisson, n'ouvrez pas la porte du four fréquemment.
- Essayer de cuire plus d'une sorte de viande à l'intérieur du four en même temps (Vous pouvez cuire deux différentes viandes en même temps en plaçant des plats de cuisson sur la même tablette). Il est souhaitable de cuire plus d'une viande après l'autre. Le four sera déjà chaud.
- Dégeler les viandes gelées avant de les cuire.
- Vous pouvez sauver de l'électricité en éteignant votre four quelques minutes avant la fin du temps de cuisson (la porte du four ne devrait pas être ouverte).

Manipulation initiale

Avant la première utilisation de votre appareil, ne pas oublier d'enlever le collant sur l'écran de la minuterie digitale.

Ajustement du temps

i IMPORTANT: Avant d'utiliser le four, l'horloge doit être ajustée. Si le temps de l'horloge n'est pas ajustée, le four principal ne fonctionnera pas.



Clés pour:

- 1 Alarme de l'horloge
 - 2 Durée
 - 3 Fin du temps de cuisson
 - 4 En mode Manuel & temps du jour
- Clés pour l'ajustement du temps:
- 5 Clé en moins
 - 6 Clé en plus

1. Presser la clé 4.
2. Ajuster le temps de cuisson avec la clé 5 ou 6, En enfonceant les clés rapidement, vous avancez ou réinitialisez l'horloge d'une minute. Lorsque vous gardez la clé individuelle pressée, les minutes avancent ou se remettent à zéro rapidement.

Premier nettoyage de l'appareil.

i IMPORTANT: Lorsque vous enlevez l'appareil pour le nettoyage et/ou le service,

Déconnecter l'alimentation principale AC.

Enlever avec précaution l'appareil en le tirant vers l'extérieur.

i AVIS: La surface peut s'endommager avec certains détergents ou matériaux de nettoyage.

Ne pas utiliser de détergents agressifs, de poudre nettoyante/crème ou tous objets pointus. Être prudent pour éviter les brûlures de vapeur. Plusieurs nettoyeurs peuvent produire des fumées toxiques lorsqu'appliqués sur une surface chaude.

1. Enlever tous les matériaux d'emballage.
2. Essuyer les surfaces de l'appareil avec un linge humidifié ou une éponge et essuyer avec un linge.

Chauffage initial.



AVERTISSEMENT:

Des surfaces chaudes peuvent causer des brûlures!

Ne pas toucher aux surfaces chaudes de l'appareil. Utiliser des gants de four. Garder les enfants loin de l'appareil.

i IMPORTANT: Des odeurs et de la fumée peuvent être émises durant le premier chauffage. Vous assurer que la pièce est bien ventilée.

Tous les résidus de production ou les couches de condensation doivent être brûlées avant la première utilisation. Chauffer l'appareil durant 30 minutes et alors l'éteindre.

Four Électrique

1. Prendre tous les plateaux et tablettes du four.
2. Fermer la porte du four.
3. Choisir la chaleur de dessus et du fond avec le bouton de fonction.
4. Choisir la plus haute température avec le bouton du thermostat; voir Comment utiliser le four Électrique en page 23.
5. Chauffer environ 30 minutes.
6. Éteindre le four, voir Comment utiliser le four électrique, page 23.

Four de grillage.

1. Prendre tous les plateaux et tablettes du four.
2. Fermer la porte du four.
3. Choisir la plus haute puissance du gril; Voir Comment faire fonctionner le gril, page 26.
4. Chauffer environ 30 minutes.
5. Éteignez l'élément de grillage; consultez la rubrique Comment faire fonctionner l'élément de grillage, page 26.

4 COMMENT FAIRE FONCTIONNER LE FOUR

Information générale sur la cuisson, le rôtissage et le brunissage

DANGER :

Risque de s'ébouillanter par la vapeur chaude!

Toujours se tenir loin lors de l'ouverture de la porte du four. L'air chaud ou la vapeur lesquels s'échappent, peuvent causer des brûlures aux mains, à la figure et/ou aux yeux.

Laisser l'air chaud ou la vapeur s'échapper avant d'enlever ou de replacer la nourriture.

Conseils pour la cuisson

- Utiliser des plats en métal à surface anti-adhérente ou des contenants en aluminium ou des moules de silicone résistants à la chaleur.
- Vous assurer de la meilleure utilisation de l'espace sur la tablette.
- Il est recommandé de placer le moule de cuisson dans le milieu de la tablette.
- Choisir la position correcte de la tablette avant d'allumer le four ou de brunir, ne pas bouger les tablettes du four lorsqu'elles sont chaudes.
- Toujours placer les tablettes du four à la position désirée pendant que le four est froid. Si la tablette doit être déplacée lorsque le four est chaud, ne pas permettre aux mitaines d'entrer en contact avec l'élément chauffant dans le four.
- Garder la porte du four fermée.

Conseils pour le rôtissage

- L'assaisonnement avec du jus de citron et du poivre noir augmentera la performance de cuisson lorsque vous cuisez un poulet complet, une dinde ou un gros morceau de viande.
- Une viande avec des os prend environ 15 à 30 minutes de plus avant d'être cuite qu'un rôti de la même grosseur sans os.
- Vous devriez calculer environ 4 à 5 minutes de temps de cuisson par centimètre de poids de viande.
- Laisser la viande se reposer dans le four pour environ 10 minutes après le temps de cuisson. Le jus sera mieux distribué partout dans le rôti et ne s'écoulera pas lorsque le rôti sera coupé.
- Du poisson dans un plat résistant au feu devrait être placé sur la tablette au niveau moyen ou bas.

Conseils pour le brunissage

Le brunissage est idéal pour de la viande de cuisson, du poisson et de la volaille et donnera une belle surface brunie sans que ce soit trop sec. Des pièces plates, des brochettes de viande et des saucisses sont particulièrement souhaitables pour le brunissage comme sont les légumes qui contiennent beaucoup d'eau tels que les tomates ou les oignons.

- Distribuer les pièces à être brunies sur la tablette de broche.
- Si le brunissage est sur la tablette de broche, localiser un pan d'égouttement sous lui afin de récolter le gras.

- Ajouter de l'eau dans la pan d'égouttement pour un nettoyage facile.

Comment utiliser le four électrique

i IMPORTANT:

Avant d'utiliser le four, l'horloge du four doit être ajustée. Si l'horloge n'est pas ajustée, le four principal ne fonctionnera pas.

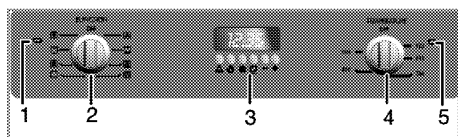
i IMPORTANT:

Risque d'empoisonnement alimentaire

Ne laissez pas la nourriture rester dans le four plus d'une heure avant ou après la cuisson.

Cela peut résulter en un empoisonnement alimentaire ou être malade.

Choisir la température et le mode d'opération



- 1 Témoin lumineux
- 2 Bouton de fonction
- 3 Minuterie digitale
- 4 Bouton du thermostat
- 5 Lampe du thermostat

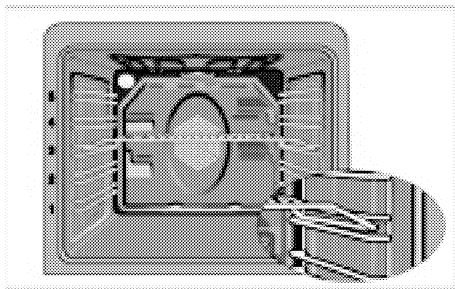
Les modes d'opération du four électrique sont choisies avec le bouton de fonction. La température est ajustée avec le bouton du thermostat.

Toutes les fonctions du four sont éteintes en tournant le bouton pertinent à la position éteint (en haut).

1. Ajuster le bouton du thermostat à la température désirée.
2. Ajuster le bouton de fonction au mode d'opération requis.
 - » Le four chauffe jusqu'à la température réglée et la maintient. Durant le chauffage, la lampe de température reste allumée.

Éteindre le four électrique

Tourner le bouton de fonction et le bouton du thermostat à la position éteint (en haut).



Positions des grilles

Il est important de positionner la grille de broche sur la tablette de côté correctement. La grille de broche doit être placée de telle sorte qu'elle s'ajustera dans l'ouverture de la grille de broche tel qu'illustré dans la figure.

Modes d'opération

Toutes les fonctions pour le four (y compris le four principal) sont répertoriées dans cette section.

L'ordre des modes d'opération montré ici peut dévier de l'arrangement de votre appareil.

Statique



Les chaleurs du dessus et du dessous sont allumées. Les denrées alimentaires sont chauffées simultanément dessus et dessous. Il est souhaitable, pour les gâteaux, les biscuits ou les gâteaux et casseroles de les mettre dans des moules de cuisson. Cuire avec seulement une tablette.

Chaleur du bas



Seulement la chaleur du bas fonctionnera. C'est particulièrement souhaitable pour les plats tels que la pizza lesquelles sont requises à être cuites par en dessous.

Le dessus et le dessous chauffent avec l'air à convection



Le dessus et le dessous chauffent plus le ventilateur (dans le mur du fond). L'air chaud est distribué uniformément et rapidement partout dans le four par le ventilateur. Cuire avec seulement une tablette.

Le fonctionnement avec le ventilateur



Le four ne chauffe pas.. Seulement le ventilateur (dans la paroi arrière) est en fonctionnement. Les aliments granulaires congelés sont décongelés lentement à la température de la pièce et les aliments cuits sont refroidis.

Air chaud



L'anneau de chauffage avec ventilateur (dans la paroi arrière) est en fonctionnement. L'air chaud est distribué uniformément et rapidement partout dans le four par le ventilateur. Dans la plupart des cas, le préchauffage n'est pas requis. Convient lorsque plusieurs niveaux sont utilisés pour la préparation des aliments.

Convient pour la cuisson avec différentes grilles.

Fonction "3D"



Le dessus et le dessous chauffent plus l'anneau de chauffage avec le ventilateur (dans le mur du fond). La nourriture sera cuite également et rapidement partout. Cuire avec seulement une tablette.

Brunissage



Le large (sous le toit du four) est en fonctionnement. C'est idéal pour brunir de larges quantités.

- Mettre de grosses ou de moyennes portions à la position correcte de la tablette sous le four à griller pour le brunissage.
- Ajuster la température au niveau maximal.
- Tourner la nourriture après la moitié du temps de brunissage.

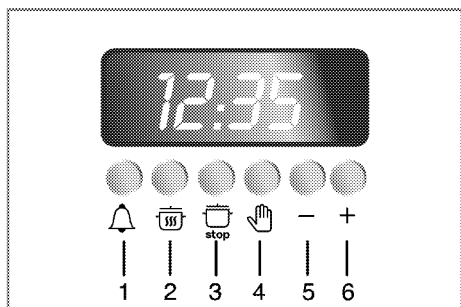
Brunissage avec l'air à convection.



L'effet de brunissage n'est pas aussi fort que le brunissage normal.

- Mettre de petites ou de moyennes portions à la position correcte de la tablette sous le four à griller pour le brunissage.
- Ajuster la température au niveau maximal.
- Tourner la nourriture après la moitié du temps de brunissage.

Comment manipuler la minuterie du four



Clés pour:

- 1 Alarme de l'horloge
- 2 Durée
- 3 Fin du temps de cuisson
- 4 En mode Manuel & temps du jour
Clés pour l'ajustement du temps:
- 5 Clé en moins
- 6 Clé en plus

i IMPORTANT:

Le temps maximal de réglage pour la fin du processus de cuisson est de 12 heures. En cas de coupure de courant, le programme sera annulé. La reprogrammation sera nécessaire.

Mettre en marche l'opération automatique complète.

Dans ce mode d'opération, après avoir réglé le temps d'arrêt, vous pouvez ajuster le temps de cuisson. Le four s'ajuste et part automatiquement.

1. Presser la clé 3.

2. Ajuster la fin du temps de cuisson avec la clé **5** ou la clé **6**. En pressant la clé courtement, vous avancez ou remettez à zéro l'horloge une minute à la fois. Lorsque vous gardez la clé enfoncée, les minutes avancent ou se remettent à zéro rapidement.
 - » L'indication « **AUTO** » s'allume sur l'afficheur.
3. Garder la clé 2 enfoncée.
4. Ajuster le temps de cuisson avec la clé 5 ou 6, En enfonçant les clés rapidement, vous avancez ou réinitialisez l'horloge d'une minute. Lorsque vous gardez la clé enfoncée, les minutes avancent ou se remettent à zéro rapidement.
5. Mettre votre plat dans le four.
6. Choisir le mode d'opération et la température.
 - » Le four est chauffé jusqu'à la température réglée et garde cette température jusqu'à la fin du temps de cuisson qui a été choisi. Durant le procédé de cuisson, le symbole de cuisson est visible sur l'afficheur.
9. Enfoncer la clé **3** dès que le procédé de cuisson a été complété et qu'une alarme sonne.
10. Éteindre le four avec le bouton du thermostat et/ou le bouton de fonction.
11. Enfoncer la clé **4**.
 - » L'indication « **AUTO** » s'éteint sur l'afficheur.

Mettre en marche l'opération semi-automatique.

Dans ce mode d'opération, après avoir ajusté le temps de cuisson, le four commence la cuisson.

1. Presser la clé 2.
2. Régler le temps de cuisson avec la clé **5** ou la clé 6. En enfonceant la clé rapidement, vous avancez ou réinitialisez l'horloge d'une minute. Lorsque vous gardez la clé enfoncée, les minutes avancent ou se remettent à zéro rapidement.
 - » L'indication « **AUTO** » s'allume sur l'afficheur.
3. Mettre votre plat dans le four.
4. Choisir le mode d'opération et la température.
 - » Le four est chauffé jusqu'à la température réglée et garde cette température jusqu'à la fin du temps de cuisson qui a été choisi. Durant le procédé de cuisson, le symbole de cuisson est visible sur l'afficheur.
5. Enfoncer la clé **3** dès que le procédé de cuisson a été complété et qu'une alame sonne.
6. Éteindre le four avec le bouton du thermostat et/ou le bouton de fonction.

7. Enfoncer la clé **4**.
 - » L'indication « **AUTO** » s'éteint sur l'afficheur.

IMPORTANT:

Lorsque vous enfoncez la clé 2 durant le procédé de cuisson, l'afficheur montrera le temps de cuisson restant pour un court moment.







Interruption du procédé de cuisson

1. Garder la clé **2** enfoncée.
2. Tenir la clé **5** enfoncée jusqu'à ce que "**0.00**" soit montrée comme temps restant sur l'afficheur.
3. Enfoncer la clé **2**.
4. Enfoncer la clé **4**.
 - » L'indication « **AUTO** » s'éteint sur l'afficheur.
5. Éteindre le four avec le bouton du thermostat et/ou le bouton de fonction.

Table des temps de cuisson

IMPORTANT:

Les valeurs indiquées dans la table ci-dessous sont des données indicatives. Ils peuvent varier selon le type de nourriture aussi bien que vos préférences de cuisson.

Nourriture	Numéro de niveau de cuisson		Position de la grille	Température (°F)	Temps de cuisson (min.) (environ)
Gâteau sur une plaque	Niveau Un		3	350	25 ... 30
Gâteau dans un moule	Niveau Un		2	355	40 ... 50
Gâteau dans du papier	Niveau Un		3	350	25 ... 30
	Niveau 2		1 - 5	350	30 ... 40
	Niveau 3		1 - 3 - 5	355	45 ... 55

Nourriture	Numéro de niveau de cuisson		Position de la grille	Température (°F)	Temps de cuisson (min.) (environ)
Gâteau éponge	Niveau Un		3	390	5 ... 10
	Niveau 2		1 - 5	350	20 ... 30
Biscuits	Niveau Un		3	350	25 ... 30
	Niveau 2		1 - 5	340 ... 375	30 ... 40
	Niveau 3		1 - 3 - 5	350	35 ... 45
Pâte à pâtisserie	Niveau Un		2	390	30 ... 40
	Niveau 2		1 - 5	390	45 ... 55
	Niveau 3		1 - 3 - 5	390	55 ... 65
Pâtisserie savoureuse remplie	Niveau Un		2	390	25 ... 35
	Niveau 2		1 - 5	390	35 ... 45
	Niveau 3		1 - 3 - 5	375	45 ... 55
Levain	Niveau Un		2	390	35 ... 45
	Niveau 2		1 - 3	375	35 ... 45
Lasagne	Niveau Un		2-3	390	30 ... 40
Pizza	Niveau Un		2	390 ... 430	15 ... 20
Cuisseau d'agneau (casserole) Poulet rôti	Niveau Un		3	25 min. max après 355...375	70 ... 90
	Niveau Un		3	15 min. max après 355...375	55 ... 65
	Niveau Un		2	15 min. max après 355...375	55 ... 65
Dinde (5.5 kg)	Niveau Un		2	25 min. max après 355...375	150 ... 210
	Niveau Un		2	25 min. max après 355...375	150 ... 210
Poisson	Niveau Un		2	390	20 ... 30
	Niveau Un		3	390	20 ... 30

Lorsque vous cuisinez avec deux tablettes en même temps, placer la tablette la plus profonde et la tablette peu profonde sur l'étagère plus basse.

Il est suggéré d'effectuer un pré-chauffage de tous les aliments.

(**) Pour le pré-chauffage, ajuster la température requise, la lampe du thermostat s'éteindra lorsque la température requise sera atteinte.

Cuisson et rotissage

i IMPORTANT : Le niveau 1 est le niveau **bas** du four.

Conseils pour cuire des gâteaux

1. Si la pâtisserie est trop sèche,
 - » Augmenter la température de 10°C (50°F) et réduire le temps de cuisson.
2. Si la pâtisserie renverse,
 - » Utiliser moins de liquide ou baisser le température de 50°F.
3. Si la pâtisserie est trop foncée sur le dessus,
 - » Placez la sur une grille plus basse, baisser la température et augmenter le temps de cuisson.
4. Si c'est bien cuit à l'intérieur mais collant à l'extérieur,
 - » Utilisez moins de liquide, abaissez la température, et augmentez le temps de cuisson.

Conseils pour cuire des gâteaux

1. Si la pâtisserie est trop sèche,
 - » Augmenter la température de quelque 10°C (50°F) et réduire le temps de cuisson.
 - » Humectez les couches de pâte avec de la sauce composée de lait, huile, œuf et yaourt.
2. Si la pâtisserie prend trop de temps à cuire.
 - » Assurez-vous que l'épaisseur de la pâte que vous avez préparée ne dépasse pas la profondeur du plateau; elle doit être du même niveau.

3. Si le haut de la pâtisserie devient brune, mais que le bas n'est pas cuit,
 - » Vous assurer que vous n'avez pas trop utilisé de sauce pour la pâtisserie dans le fond de la pâtisserie. Essayer d'égaliser la sauce également entre et sur les étages de pâte pour un brunissage égal.
 - » Cuire la pâtisserie en accord avec le mode et la température donnés dans la table de cuisson. Si le fond de la pâtisserie n'est pas encore cuite, la placer sur une tablette plus basse la prochaine fois.

Conseils pour cuire les légumes

1. Si une assiette de légumes fonctionne sans jus et devient sèche,
 - » Puisqu'en utilisant un couvercle durant la cuisson on gardera le jus des plats dans la pan, cuire vos plats de légumes dans une pan avec un couvercle au lieu d'un plateau.
2. Si les plats de légumes ne cuisent pas,
 - » Faire bouillir les légumes avant de les manipuler ou les préparer comme de la nourriture en boîte et mettez-les dans le four.

COMMENT FAIRE FONCTIONNER LE GRILL

i IMPORTANT:

Avant d'utiliser le four, l'horloge doit être ajustée. Si l'horloge n'est pas ajustée, le four principal ne fonctionnera pas.



AVERTISSEMENT:

Des surfaces chaudes peuvent causer des brûlures!

Fermer la porte du four durant le brunissage.

Mettre sur brunissage

1. Ajuster le cadran de fonction sur le symbole brunissage.
 2. Ajuster la température de brunissage
 3. Préchauffer environ 5 minutes, si nécessaire.
- » La lampe témoin de la température est allumée.

Éteindre le brunissage

1. Tourner le cadran de contrôle du brunissage à la position Éteint (en haut).

Positions des grilles

Pour une couverture optimale du brunissage, positionner la grille de métal au centre du four, juste hors de contact avec la vitre de la porte. Placer la grille de métal complètement à l'arrière du four réduira la couverture de brunissage.

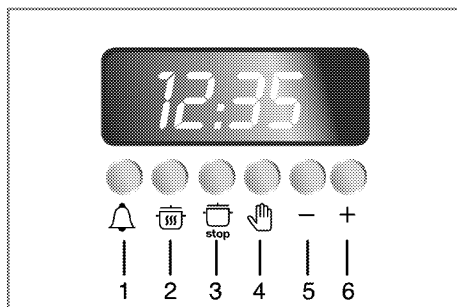
Table des temps de cuisson pour le brunissage

Nourriture	Niveau d'insertion	Temps de grillage (environ)
Poisson	4...5	20...25 min. #
Poulet tranché	4...5	25..0,35 min.
Longes d'agneau	4...5	20...25 min.
Rôti de boeuf	4...5	25..0,30 min. #
Longes de veau	4...5	25..0,30 min. #
Pain grillé	4	1..0,2 min.
# dépendant de l'épaisseur		

Comment utiliser l'alarme de l'horloge

En plus d'utiliser la minuterie pour la cuisson, la minuterie peut également être utilisée comme un rappel ou un réveil-matin.

Dès que la période de temps définie a expiré, l'horloge d'alarme émettra un signal. L'horloge d'alarme n'a pas d'influence sur les fonctions du four.



Clés pour:

- 1 Alarme de l'horloge
 - 2 Durée
 - 3 Fin du temps de cuisson
 - 4 En mode Manuel & temps du jour
- Clés pour l'ajustement du temps:
- 5 Clé en moins
 - 6 Clé en plus

Ajustement de l'horloge d'alarme

1. Presser la clé 1.

IMPORTANT:

Le temps maximal d'alarme est de 23 heures et 59 minutes.

2. Avec la clé **5** ou la clé **6** vous pouvez ajuster la période de temps qui s'écoule avant les signaux sonores de l'alarme. En pressant la clé courtement, vous avancez ou remettez à zéro l'horloge une minute à la fois. Lorsque vous gardez la clé individuelle pressée, les minutes avancent ou se remettent à zéro rapidement.

» Le symbole de l'alarme de l'horloge allume sur l'afficheur.

IMPORTANT:

Lorsque vous pressez la clé jusqu'à ce que l'alarme de l'horloge soit activée, l'afficheur montrera le temps de cuisson restant pour un court moment.

Éteindre l'alarme

1. Presser n'importe quelle clé dès que le signal sonne.
- » » Le symbole de l'alarme de l'horloge s'éteint sur l'afficheur.

Afin d'annuler l'ajustement du temps de l'alarme;

1. Pour annuler le temps de l'alarme tenir le **1** pressé.
2. Tenir la clé **5** pressée jusqu'à ce que "**0.00**" soit montrée comme temps restant sur l'afficheur.

» Le symbole de l'alarme de l'horloge s'éteint sur l'afficheur.

5 ENTRETIEN ET SOIN

Information générale

DANGER :

Risques d'Électrocution!

Éteindre l'électricité avant de nettoyer l'appareil pour éviter l'électrocution.



AVERTISSEMENT:

Des surfaces chaudes peuvent causer des brûlures!

Permettre à l'appareil de refroidir avant de le nettoyer.

PRÉ-AVIS:

La surface peut être endommagée avec des détergents ou des matériaux de nettoyage.

Ne pas utiliser de détergents agressifs, de poudre nettoyante/crème ou tous objets pointus.

Nettoyer l'appareil soigneusement après chaque utilisation; de cette façon, il sera possible d'enlever les résidus de cuisson plus facilement, en les évitant de brûler la prochaine fois que l'appareil sera utilisé.

Aucun agent de nettoyage spécial n'est requis pour le nettoyage de l'appareil. Il est recommandé d'utiliser de l'eau tiède avec du liquide à laver, un linge doux ou une éponge et utiliser un linge sec pour le séchage.

Ne pas utiliser aucun matériel de nettoyage abrasif!

IMPORTANT:

Ne pas utiliser de nettoyeur à vapeur pour le nettoyage.

Nettoyage du panneau de contrôle

PRÉ-AVIS:

Dompage au panneau de contrôle!

Ne pas enlever les boutons de contrôle pour le nettoyage du panneau de contrôle.

Nettoyer le panneau de contrôle et les boutons de contrôle.

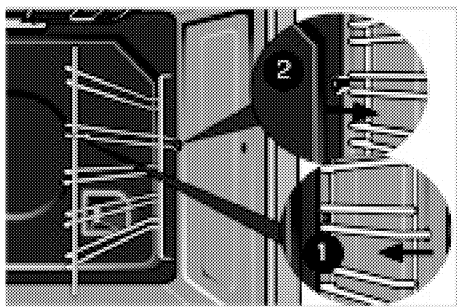
Nettoyage du four

Aucun nettoyeur de four ou tout autre agent de nettoyage spécial n'est requis pour nettoyer le four. Il est recommandé de nettoyer le four avec un linge humide lorsqu'il est encore tiède.

Ne pas permettre au gras, aux huiles de s'accumuler dans la base du four, ou les accessoires du four.

Pour nettoyer le mur de côté,

1. Enlever la section frontale de la grille de côté en la tirant dans la direction opposée du mur de côté.
2. Enlever la grille de côté complètement en la tirant vers vous.



Enlèvement de la porte du four

1. Ouvrir la porte du four.
2. Ouvrir les clips dans le logement de la charnière sur les côtés droit et gauche de la porte frontale en les pressant tel qu'illustré dans la figure.

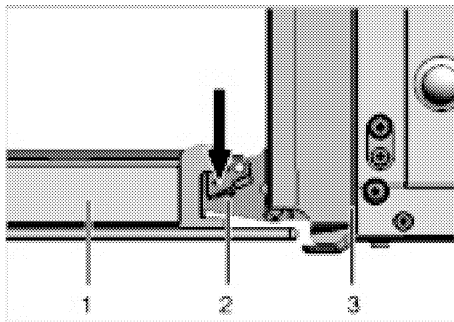
Murs catalytiques

Les murs de côté ou le mur intérieur derrière le four peuvent être couverts d'émail catalytique.

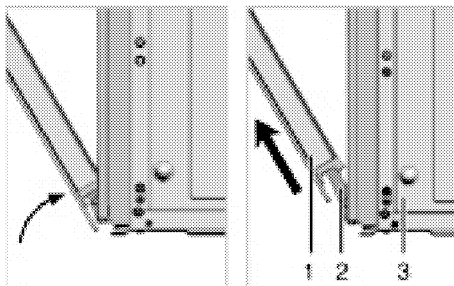
Les murs catalytiques du four ne doivent pas être nettoyés. La surface poreuse des murs est auto-nettoyante en absorbant et convertissant le gras éclaboussé (vapeur et dioxyde de carbone).

Nettoyer la porte du four

Ne pas utiliser aucun nettoyeur abrasif difficile ou grattoir de métal pointu pour le nettoyage de la porte du four. Ils pourraient égratigner la surface et détruire le verre.



- 1 Porte frontale
- 2 Charnière
- 3 Four



3. Bouger la porte frontale à mi-chemin.
4. Enlever la porte frontale en tirant par en haut pour la libérer des charnières droites et gauches.

i PRÉ-AVIS:

Les étapes de réalisation durant le procédé d'enlèvement devraient être effectuées dans l'ordre inverse (étapes 4, 3, 2 et 1) pour rattacher la porte. Ne pas oublier de fermer les clips au logement à charnière lors de la réinstallation de la porte.

Replacer la lampe du four

⚠ DANGER :

Des surfaces chaudes peuvent causer des brûlures!

Vous assurer que cet appareil est éteint et refroidi afin d'éviter le risque d'électrocution.

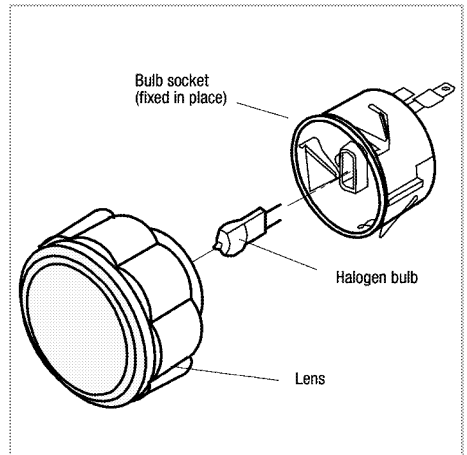
Les lentilles doivent être en place lors de l'utilisation du four.

Les lentilles servent à empêcher l'ampoule de briser.

Les lentilles sont faites en verre. Manipuler soigneusement pour éviter la casse. Le verre brisé peut causer une blessure.

i PRÉ-AVIS:

La position de la lampe peut varier du diagramme.



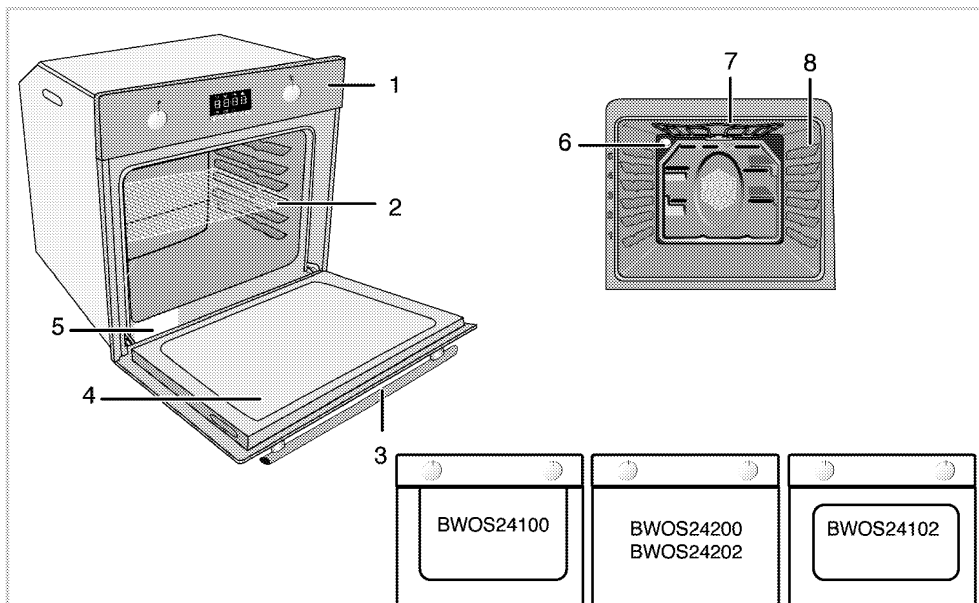
Chaque four est doté de deux lampes halogènes situées à la paroi arrière du four. Les lumières s'allument lorsque la porte est ouverte ou lorsque le four est au cycle de cuisson. Les lumières du four ne sont pas allumées durant l'auto-nettoyage. Chaque assemblage de lumière consiste en une lentille enlevable, une ampoule ainsi que la douille qui est fixée en place. Le remplacement de l'ampoule est considéré être un item d'entretien de routine.

Pour remplacer l'ampoule

1. Lire l'avertissement sur cette page.
2. Éteindre le courant à la boîte de l'alimentation principale (votre boîte de fusibles ou d'interrupteurs).

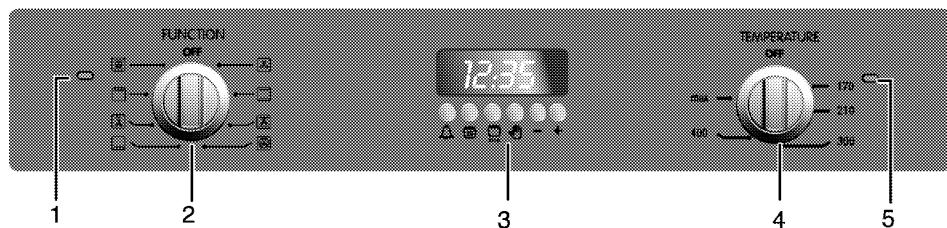
6 INFORMATION GÉNÉRALE

Survol



- 1. Panneau de contrôle
- 2. Tablette de broche
- 3. Poignée
- 4. BWOS 24100 a un recouvrement de porte en acier inoxydable en forme de U
BWOS 24200-24202 porte de verre sans recouvrement

- BWOS 24102 a un recouvrement de porte en acier inoxydable en forme de O
- 5. Plaque signalétique
- 6. Lampe
- 7. Élément chauffant supérieur
- 8. Positions des grilles



- 1 Témoin lumineux
- 2 Bouton de fonction
- 3 Minuterie digitale
- 4 Bouton du thermostat
- 5 Lampe du thermostat

Données techniques

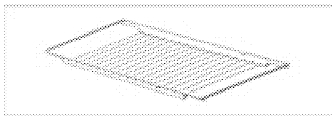
GÉNÉRALITÉS	
Dimensions extérieures (hauteur/largeur/profondeur)	595 mm (23" 27/64) /594 mm (23" 25/64) /567 mm (22" 21/64) pouces
Dimensions d'installation (hauteur/largeur/profondeur)	590 ou 600 mm (23" 15/64 ou (23" 5/8) /560 mm (22" 3/64) /min. 550 mm (21" 21/32) pouces
Voltage/fréquence	120/240V ~ 60 Hz
Puissance électrique totale	2,5 kW
Protection des fusibles	20 A min.
Sorte de câble/section	BC-SIL 4X15 AWG
Longueur de câble	min. 3 max. 6 pieds
Four principal	Four multifonction
Éclairage intérieur	15–25 W
Consommation de courant du brunissage	2.2 kW

Accessoires fournis avec l'unité

i IMPORTANT:

Les accessoires fournis peuvent varier dépendant du modèle du produit. Tous les accessoires décrits dans le manuel de l'utilisateur peuvent ne pas exister sur votre produit.

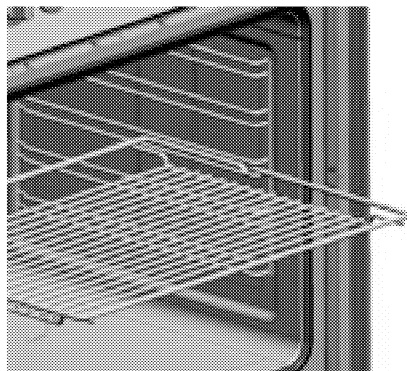
Tablette de broche



Peut être utilisé pour rôtir et comme dépôt pour cuire, rôtir et pour les plats et casseroles.

Positionnement correct de la tablette de broche sur les tablettes coulissantes

Il est important de positionner le grill et/ou la pan d'égouttement sur les tablettes de broche correctement. glisser le grill ou la pan d'égouttement complètement entre les 2 rails et vous assurer que c'est stable avant de mettre des plats dessus (veuillez regarder la figure qui suit).



7 DÉPANNAGE

DANGER

Risque d'électrocution, de court-circuit ou de feu lors de réparations non-professionnelles.

Les réparations sur l'appareil doivent être effectuées par un centre de service approuvé.

Conditions d'opération normales

- La fumée et la senteur peuvent être émises durant une couple d'heures durant la première opération.
- Il est normal que la fumée s'échappe durant l'opération.
- Lorsque les pièces de métal sont chauffées, il peuvent s'étendre et faire du bruit.

Avant d'appeler le service, veuillez vérifier les points suivants

Équipement électrique

Défaillance/ problème	Causes possibles	Conseils/remède
Cet appareil ne fonctionne pas.	Les fusibles principaux sont défectueux ou ont sautés.	Vérifier les fusibles dans la boîte de fusibles. Si nécessaire, les remplacer ou les réinitialiser.
	La prise de l'appareil ne peut pas être connectée au support de mise à la terre.	Vérifier la connection de la prise.
	Les boutons de la minuterie ne fonctionnent pas.	Le verrouillage peut être engagé. Veuillez le déverrouiller (voir, comment utiliser le programme de verrouillage),
La lumière du four ne fonctionne pas	La lumière du four est défectueuse.	Remplacer l'ampoule du four.
	Aucun courant.	Vérifier les fusibles dans la boîte de fusibles. Si nécessaire, les remplacer ou les réinitialiser.
Le four ne chauffe pas.	Le bouton de fonction et/le bouton de thermostat ne sont pas réglés.	Ajuster le bouton de fonction et le bouton de thermostat.
	Si l'appareil a une minuterie, la minuterie peut ne pas être ajustée.	Ajuster le temps.
	Aucune alimentation.	Vérifier l'alimentation principale et la boîte de fusibles.

L'horloge/la minuterie (si l'appareil a une minuterie digitale)

Défaillance/problème	Causes possibles	Conseils/remède
L'afficheur de l'horloge clignote ou le symbole de l'horloge est allumé.	L'alimentation a été interrompue auparavant.	Réglez l'horloge Alors éteindre le four avec les boutons de fonction, ajuster le fonction du four encore.

Si le problème n'a pas été résolu.

1. Séparer l'unité de l'alimentation principale (désactiver ou dévisser le fusible).
2. Appeler le service après-vente de votre revendeur en magasin.

IMPORTANT

Ne pas tenter de réparer l'appareil vous-mêmes. Il n'y a pas d'items du service au consommateur à l'intérieur de l'appareil.

8 DÉCLARATION DE GARANTIE pour les appareils électriques et au gaz Blomberg

Appareils de cuisson (fours muraux/plaques de cuisson)

Les garanties offertes par Blomberg dans ces clauses ne s'appliquent qu'aux appareils de cuisson Blomberg (four muraux / plaques de cuisson) vendus à l'acheteur de départ ou au propriétaire aux États-Unis et au Canada. La garantie n'est pas transférable. Pour obtenir le service garantie, veuillez contacter notre distributeur le plus proche indiqué dans la liste par Etat. Vous devrez fournir le numéro de modèle de votre appareil de cuisson (fours muraux / plaques électriques), le numéro de série, le nom et l'adresse du fournisseur, le lieu et la date de l'achat / la date de l'installation. Cette garantie vous donne des droits légaux spécifiques et vous pouvez également bénéficier d'autres droits qui varient d'un Etat à l'autre.

Garantie limitée à 1 an * à partir de la date de la première installation. Blomberg réparera et remplacera sans frais pour le consommateur toute partie défectueuse des appareils de cuisson (fours muraux / plaques de cuisson) s'ils sont utilisés dans des conditions normales d'utilisation (la garantie est nulle si le produit est utilisé dans le commerce). Le service doit être effectué par un agent Blomberg agréé. **Dans le cas contraire la garantie est nulle.** (Les défauts d'apparence doivent être signalés dans les 10 jours ouvrables après l'installation)

Garantie limitée à 2 ans * ++ à partir de la date de la première installation (seulement pièces). Blomberg réparera et remplacera toute pièce sans frais pour le consommateur si le dommage ou le dysfonctionnement de ces pièces a été causé par des défauts matériels ou l'installation. L'appareil doit avoir été utilisé dans des conditions domestiques normales et non commercialement comme énoncé ci-dessous (Les frais de travail sont sous la responsabilité du consommateur)

Garantie limitée 5 ans * ++ à partir de la date de la première installation (seulement 2-5 ans pour les pièces). Blomberg réparera et remplacera toute pièce sans frais pour le consommateur si le dommage ou le dysfonctionnement de ces pièces a été causé par des défauts matériels ou l'installation **par un service agréé.** L'appareil doit avoir été utilisé dans des conditions domestiques normales et non commercialement (Les frais de travail sont sous la responsabilité du consommateur)

Garantie à vie à partir de la date de la première installation * ++ (seulement pièces)

Dégagements de garantie et exclusions. La garantie ne couvre pas les frais de service fourni par un agent agréé pour corriger l'installation, des problèmes électriques ou fournir des instructions sur l'utilisation des appareils de cuisson (fours muraux / plaques de cuisson). La garantie ne couvre pas non plus les défauts et dommages causés par des catastrophes naturelles (tempêtes, inondations, incendies, coulées de boue, etc.), les dommages causés par l'utilisation des appareils de cuisson (fours muraux / plaques de cuisson) à des fins autres que celles pour lesquelles ils ont été conçus, les utilisations erronées ou abusives, les accidents, altérations, l'installation incorrecte, la maintenance, les frais de transport, les appels au service en-dehors des heures normales de travail, le travail des agents non agréés.

L'appareil a été testé de manière exhaustive et est passé par des inspections de qualité officielles avant de quitter le lieu de production. Les termes de la garantie pour cet appareil domestique Blomberg ne sont pas valables si le produit est altéré, abîmé, modifié, si des pièces supplémentaires sont assemblées, fixées et réemballées par un service agréé, un prestataire de services, un fournisseur tiers, un revendeur ou d'autres personnes non-agrèées.

DANS LES LIMITES DE LA LOI, CETTE GARANTIE REMPLACE TOUTES LES GARANTIES EXPLICITES ET IMPLICITES, Y COMPRIS LES GARANTIES IMPLICITES DE MISE SUR LE MARCHÉ ET ADAPTATION A UN OBJECTIF PARTICULIER. BLOMBERG N'ASSUME PAS DE RESPONSABILITE CONCERNANT LA QUALITE DE CE PRODUIT AUTRE QUE CELLE FOURNIE DANS CES CLAUSES DE GARANTIE. BLOMBERG N'ASSUME PAS DE RESPONSABILITE CONCERNANT L'ADEQUATION DE CE PRODUIT A DES FINS PARTICULIERES AUTRES QUE CELLE NOTIFIEES DANS CES CLAUSES DE GARANTIE.

Blomberg n'assume aucune responsabilité pour des dommages accidentels ou indirects. De tels dommages incluent la perte de bénéfices, la perte d'économies ou de revenu, la perte d'utilisation de l'appareil de cuisson ou de tout équipement associé, les frais du capital, les frais de tout matériel de substitution, les installations ou services, le temps dépensé, les réclamations de parties tiers et les dommages à la propriété, mais ne sont pas limités à ces exemples. Du fait que certains Etats n'autorisent pas l'exclusion ou la restriction des dommages accidentels ou indirects, les restrictions ou exclusions peuvent ne pas s'appliquer à vous.

* la date d'installation doit faire référence soit à la date d'achat, soit à un délai de 5 jours ouvrables après la livraison du produit à domicile, selon la date la plus tardive.

++Les pièces remplacées seront identiques aux pièces originales + à leur garantie originale.

Pas d'autres garanties. Ces clauses de garantie constituent la garantie complète et exclusive du fabricant. Aucun employé de Blomberg ou d'une autre partie n'est autorisé à ajouter des clauses de garantie à celle mentionnée dans cette déclaration de garantie. Veuillez conserver cette carte de garantie, le manuel de l'utilisateur et votre ticket d'achat pour une utilisation future.

COMMENT OBTENIR LE SERVICE

Veuillez contacter le distributeur pour votre Etat ou Province, comme indiqué sur la liste des coordonnées des distributeurs ou appeler notre numéro gratuit au 1 800 459 9848 pour obtenir les références d'un service agréé Blomberg. 02 01

Lea estas instrucciones antes de realizar la instalación o de usar su aparato.

Estimado cliente:

Deseamos que usted obtenga el mejor rendimiento con su producto que se fabricó en instalaciones modernas y pasó estrictos procedimientos de control de calidad.

Por lo tanto, le aconsejamos que lea atentamente este manual del usuario antes de usar su producto y que lo guarde para la referencia futura. Si transfiere el producto a otra persona, también entréguele el manual del usuario.

El manual del usuario lo ayudará a usar el producto de la forma rápida y segura.

Importante: Guarde estas instrucciones para que las utilicen los inspectores eléctricos locales.

Las instrucciones lo ayudarán a operar el aparato de forma rápida y segura.

- Al recibirlo, revise que el aparato no esté dañado. Si nota algún daño de transporte, comuníquese de inmediato con su punto de ventas y no conecte ni opere el aparato.
- Antes de conectar y comenzar a usar el aparato, lea este manual y todos los documentos incluidos. Preste particular atención a las instrucciones de seguridad.
- Guarde todos los documentos para que pueda volver a consultar la información en el futuro. Guarde su recibo para cualquier reparación que se pueda requerir bajo la garantía.
- Cuando transfiere el aparato a otra persona, proporcione todos los documentos de este incluida la fecha original de compra. (La garantía no se transmite si se vende la unidad).
- En caso de que decida no usar más el aparato (o decida sustituir un modelo anterior), antes de desecharlo, se recomienda que se haga no operativo de la manera adecuada de acuerdo con las regulaciones de protección del ambiente y salud, asegurando en particular que todas las piezas potencialmente peligrosas sean inofensivas, especialmente en relación con los niños que podrían jugar con aparatos viejos. Retire la puerta y la gaveta calentadora antes de desecharlo para evitar el riesgo de que los niños queden atrapados.

Explicación de los símbolos

En este Manual del usuario se utilizan los siguientes símbolos:



Información importante o consejos útiles sobre el uso.



Advertencia sobre situaciones peligrosas con respecto a la vida y la propiedad.



Advertencia de descarga eléctrica.



Advertencia de riesgo de incendio.



Advertencia para superficies calientes.

Índice

1 INSTRUCCIONES DE SEGURIDAD	5	Cómo usar la alarma	28
		Cómo fijar la alarma.	28
Instrucciones de seguridad básicas	5	5 MANTENIMIENTO Y CUIDADO	29
Seguridad para los niños	8	Información general	29
Uso específico	8	Limpieza del panel de control	29
Eliminación	9	Limpieza del horno	29
Material de empaque.	9	Extracción de la puerta del horno	30
Transporte futuro	9	Cambiar la lámpara del horno	30
2 INSTALACIÓN	10	6 INFORMACIÓN GENERAL	32
Notas importantes para el consumidor	10	Datos técnicos	33
Instalación y conexión	14	Accesorios suministrados con la unidad	33
Conexión a la alimentación principal	15	7 SOLUCIÓN DE PROBLEMAS	34
Instalación	18	Equipo eléctrico.	34
3 PREPARACIÓN	19	8 DECLARACIÓN DE LA GARANTÍA para los hornos eléctricos y a gas de Blomberg	36
Consejos para ahorrar energía.	19		
Operación inicial	19		
Cómo fijar la hora	19		
Primer limpieza del aparato	19		
Calentamiento inicial	20		
4 CÓMO OPERAR EL HORNO	21		
Información general sobre cómo hornear, asar y cocinar a la parrilla	21		
Consejos para hornear	21		
Consejos para asar	21		
Consejos para cocinar en la parrilla	21		
Cómo usar el horno eléctrico.	21		
Seleccione la temperatura y el modo de funcionamiento	22		
Apagado del horno eléctrico	22		
Cómo operar el temporizador del horno	23		
Tabla de los tiempos de cocción	25		
Hornear y asar.	26		
Cómo operar la parrilla	27		
Tabla de tiempos de cocción para la rejilla	27		

1 INSTRUCCIONES DE SEGURIDAD

Instrucciones de seguridad básicas

- El fabricante se reserva el derecho a hacer cambios en las especificaciones técnicas para mejorar la calidad del aparato sin aviso previo. Las figuras incluidas en este manual son solo esquemas y pueden no coincidir exactamente con su aparato. Los valores indicados en las marcas del aparato o en otros documentos impresos suministrados con el aparato se obtienen bajo condiciones de laboratorio según las normas relevantes. Estos valores pueden variar según el uso del aparato y las condiciones del ambiente.
- Este aparato no está destinado para que los usen personas (incluidos niños) con capacidades físicas, sensoriales o mentales reducidas o con falta de experiencia y conocimiento, a menos que una persona responsable de su seguridad los supervise o los instruya sobre el uso del aparato. Los niños deben estar supervisados para asegurarse de que no jueguen con el aparato.
- Instalación adecuada: asegúrese de que su aparato lo instalado correctamente un técnico calificado y que le realice una descarga a tierra.
- Nunca use su aparato para calentar la habitación.
- Use vestimenta adecuada: las vestimentas sueltas o colgantes no se deben usar mientras utiliza este aparato.
- Reparación del usuario: no repare ni reemplace ninguna parte del aparato a menos que se lo recomiende específicamente en este manual. Todas las otras reparaciones deben ser derivadas a un técnico calificado.
- Tenga cuidado al abrir la puerta: deje que aire caliente o vapor salga antes de sacar o reemplazar la comida.
- Colocación de las rejillas del horno: siempre coloque las rejillas del horno en la ubicación deseada mientras el horno se enfría. Si la rejilla se debe mover mientras el horno está caliente, no deje que las agarraderas toquen el elemento calentador caliente en el horno.
- Use solamente agarraderas secas: las agarraderas húmedas en superficies calientes pueden causar quemaduras por el vapor. No deje que las agarraderas toquen los elementos calentadores calientes. No use una toalla ni otras telas abultadas.

- No caliente los contenedores de alimentos no abiertos. La acumulación de presión puede causar que el contenedor explote y cause lesiones.
- Mantenga al horno ventilado y sin obstrucciones.
- Asegúrese de que los materiales inflamables no estén adyacentes al aparato ya que los costados se calientan cuando se usan.
- No ubique bandejas para horno, los platos o el papel aluminio directamente sobre la parte inferior del horno. La acumulación de calor puede dañar la parte inferior del horno.
- Asegúrese de que todas las ranuras de ventilación no tengan obstrucciones, como el gabinete del mueble ya que esto puede causar la falla prematura del elemento del horno.
- El fabricante rechaza toda responsabilidad por lesiones a personas o daños a la propiedad causado por el uso incorrecto o inadecuado del aparato.
- No use el horno sin el vidrio de la puerta delantera o con el vidrio roto.
- No use agua en los incendios provocados por grasas. Apague el fuego o las llamas o use un extintor de tipo espuma o químicos.
- La parte trasera del horno se calienta cuando se usa. La conexión eléctrica no debe tocar la superficie trasera, de lo contrario el cable principal se puede dañar.
No atrape el cable principal entre la puerta del horno caliente y el marco. No tienda el cable principal sobre la sección de cocción caliente. De lo contrario, el aislamiento del cable se puede derretir y causar un incendio como resultado del corto circuito.
- Nunca use vestimenta floja o colgante mientras usa el aparato. Tenga cuidado al alcanzar elementos almacenados en los gabinetes sobre el horno. El material inflamable se puede encender si entra en contacto con superficies calientes o elementos de calentamiento y puede causar quemaduras severas.
- La llama en el horno se puede extinguir por completo al cerrar la puerta del horno y apagar el horno o al usar un químico seco multiuso o un extintor de incendios tipo espuma.
- Sacar la rejilla hasta el tope es conveniente al levantar comidas calientes. También

es una precaución contra quemaduras ocasionadas al tocar las superficies calientes de la puerta o las paredes del horno.

- No use el horno para secar periódicos. Si se sobrecalientan, pueden incendiarse.
- Almacenamiento dentro o sobre el aparato: los materiales inflamables no se deben almacenar dentro de un horno ni cerca de las unidades de la superficie.
- No deje productos de papel, utensilios de cocina o comida en el horno cuando no está en uso.
- Luego de asar, siempre saque la bandeja del horno y límpiela. La grasa restante en una bandeja de la parrilla puede incendiarse la próxima vez que la use.
- Revise que todos los controles del aparato se apaguen después del uso.

i IMPORTANTE:

Llame al servicio autorizado para la instalación del aparato a usar. Luego de este procedimiento, comienza el período de garantía.

i IMPORTANTE:

NO TOQUE LOS ELEMENTOS CALENTADORES NI LAS SUPERFICIES INTERIORES DEL HORNO – Los elementos calentadores pueden estar calientes aunque estén de color oscuro. Las superficies interiores de un horno se pueden calentar lo suficiente como para causar quemaduras. Durante y después del uso, no toque, ni deje que la ropa u otros materiales inflamables toquen los elementos calentadores ni las superficies interiores del horno hasta que tengan tiempo suficiente para enfriarse. Otras superficies del aparato se pueden calentar lo suficiente como para causar quemaduras: entre estas superficies están (identificación de las superficies: por ejemplo las aberturas de ventilación del horno y las superficies cerca de estas aberturas, las puertas del horno y las ventanas de las puertas del horno).

Seguridad para los niños

PRECAUCIÓN: No guarde elementos que les interesen a los niños en gabinetes sobre un horno o en el protector trasero de un horno: los niños pueden treparse en el horno para alcanzar los elementos y se pueden dañar gravemente.

- Los materiales de empaque serán peligrosos para los niños. Mantenga los materiales de empaque lejos de los niños. Deseche todas las piezas de empaque de acuerdo con las normas ambientales.
- Las piezas accesibles pueden estar calientes cuando se usa la parrilla. Los niños pequeños deben estar alejados.
- No deje a los niños solos: los niños no deben quedar solos ni sin supervisión en un área donde se usa el aparato. No se les debe permitir sentarse o pararse en cualquier parte del aparato.

Seguridad al trabajar con electricidad

- Cualquier trabajo en el equipo eléctrico y en los sistemas solamente debe ser realizado por personas calificadas autorizadas.
- En caso de daño, apague el aparato y desconéctelo de la alimentación principal al retirar el fusible o apagar el disyuntor.

- Asegúrese de que el valor nominal del fusible sea correcto.
- No opere el aparato si está descalzo.
- Nunca toque el aparato con las manos o los pies húmedos.
- No enjuague los elementos calentadores extraíbles. Los elementos calentadores nunca se deben sumergir en agua.

Uso específico

i AVISO: Este producto está diseñado para fines domésticos de cocina solamente. No está diseñado para cualquier otro uso como calefacción de una habitación o secado de toallas y trapos de cocina. El uso comercial anulará la garantía.

- Este aparato no se debe usar en casa rodantes, vehículos de recreo.
 - Todas las aperturas en la pared detrás del aparato y en el piso debajo del aparato se deben sellar.
 - No obstruya el flujo del aire de ventilación.
 - El fabricante no se hace responsable por cualquier daño causado por el uso incorrecto o los errores de manipulación.
- El aparato se puede usar para descongelar, hornear, rostizar y asar comida.

Eliminación

Material de empaque

⚠ PELIGRO: Riesgo de sofocación por el material de empaque.

Los elementos de empaque (es decir, bolsas de plástico, espuma de poliestireno, clavos, correas de empaque, etc.) no se deben dejar al alcance de los niños ya que pueden causar lesiones graves.

El material de empaque y los bloqueos de transporte están hechos de materiales que no son nocivos para el ambiente. Deseche todas las piezas de empaque de acuerdo con las normas ambientales. Esto es beneficioso para el ambiente.

Transporte futuro

No realice las operaciones de limpieza o mantenimiento en el aparato sin haberlo desconectado previamente de la alimentación eléctrica.

i AVISO: No coloque otros elementos en la parte superior del aparato. El aparato se debe transportar de forma vertical.

Guarde la caja original del aparato y transporte el aparato en su caja original. Siga las marcas de guía que están impresas en la caja.

i IMPORTANTE:

Verifique la apariencia general de su equipo al identificar el daño posible durante el transporte.

Para evitar que la estante de alambre y la bandeja dentro del horno dañen la puerta del horno, coloque una tira de cartón en el interior de la puerta del horno que se alinee con la posición de las bandejas. Pegue con cinta adhesiva a la puerta del horno a las paredes laterales.

Si no tiene la caja original.

Empaque el aparato en un plástico de embalaje con burbujas de aire o cartón grueso y péguelo con cinta de forma segura para evitar el daño durante el transporte.

2 INSTALACIÓN

i IMPORTANTE:

El producto solo debe ser instalado por los adecuados electricistas calificados.

- La preparación de la ubicación y la instalación eléctrica para el producto es responsabilidad del cliente.
- El producto se debe instalar de acuerdo con todas las regulaciones eléctricas locales.
- Antes de la instalación, verifique visualmente si el producto tiene defectos. Si los tiene, no lo instale.

Los productos dañados causan riesgos para su seguridad.

Antes de la instalación

El aparato está destinado para la instalación en gabinetes de cocina disponibles en comercios. Se debe dejar una distancia de seguridad entre el aparato y las paredes de la cocina y los muebles. Vea la figura (valores en mm).

- Las superficies, laminados sintéticos y adhesivos usados deben ser resistentes al calor.
- Los gabinetes de la cocina deben tener y nivel establecidos y deben estar fijados.
- Si hay una cajón debajo del horno, se debe instalar un estante entre el horno y el cajón.
- Los siguientes dibujos de instalación son representativos y pueden no coincidir exactamente con su aparato.
- La garantía del producto será válida después de la instalación correcta. El fabricante no será responsable de los riesgos o daños causados por una instalación o uso incorrecto.

- No tire el horno en el suelo durante el transporte para evitar dañar las superficies del suelo. Siempre transporte el producto con dos o más personas.
- Retire todos los materiales de envío dentro o fuera del horno.
- Retire todos los equipos dentro del horno incluidos los documentos impresos.

Notas importantes para el consumidor

Guarde este manual para referencia futura.

- Al usar cualquier horno que genera calor, hay ciertas precauciones de seguridad que debe seguir. Se mencionan en la frontal de este manual. Lea y siga con atención.
- Asegúrese de que su horno sea instalado por un instalador calificado o técnico de servicio y que le hagan una descarga a tierra adecuada.

Condiciones de la instalación

- Todas las dimensiones dadas en este manual están en milímetros.
- El horno tiene las dimensiones dadas en la Figura B.
 - * : sin incluir la manija
 - ** : mínimo
- El producto se debe instalar en los gabinetes con las dimensiones especificadas para diferentes tipos de ubicaciones.
- El primer paso de la instalación es revisar las dimensiones de su espacio existente. Para pedir muebles nuevos, se deben considerar estas dimensiones.

- Todos los trabajos de gabinetes, si es necesario, se deben completar antes de la instalación y los restos del trabajo se deben limpiar antes de la instalación.
- El gabinete de la cocina se deben fijar y nivelar de manera que el horno fijo no se incline.
- La placa del gabinete en el que se coloca el horno debe soportar 60 kg o más.
- Si hay una cajón debajo del horno, se debe instalar un estante entre el horno y el cajón.
- Asegúrese de que el bastidor del horno y el marco frontal del gabinete se superpongan perfectamente.
- El cable de alimentación no debe estar pinzado, doblado ni retorcido durante la colocación del horno en el gabinete. Si hay daño en el cable de alimentación, un electricista calificado debe reemplazarlo por un nuevo cable de alimentación con las propiedades técnicas mencionadas en el manual del usuario.

Instalación debajo del mostrador

- El gabinete debe tener las dimensiones en la Figura A.
- En la parte trasera del gabinete, debe haber un espacio suficiente para la ventilación de aire.
- Es espacio de ventilación de aire entre el horno y el mostrador (Y en la figura D) no debe ser cerrado.
- Fije el horno al gabinete usando los tornillos suministrados. Los tornillos se deben insertar en los plásticos de instalación montados en los marcos laterales del horno (vea la Figura D). No apriete demasiado los tornillos.
- Luego de la instalación, revise que los tornillos estén apretados de forma segura y que el producto no se mueva. Si el horno no está instalado y ajustado correctamente, hay un riesgo de vuelco.

Instalación en una alacena alta

- El gabinete debe tener las dimensiones en la Figura C.
- En la parte trasera del gabinete, tanto en la parte inferior como superior del gabinete, debe haber un espacio suficiente para la ventilación de aire.

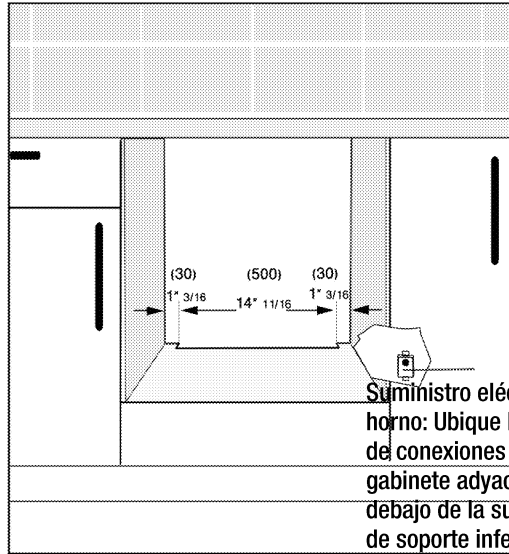
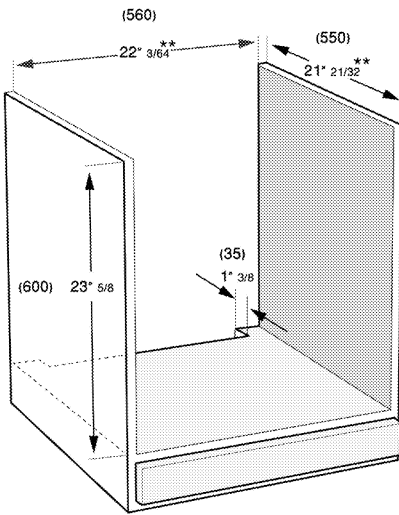
Ubicación y fijación del horno

- Coloque el horno en el gabinete con dos o más personas que le ayuden.
- No transporte ni levante el horno desde su manija o panel frontal. Use ranuras de plástico en ambos lados del horno para transportar el producto.
- Empuje el horno en el gabinete desde el área de sello (Z en la figura D). No empuje contra el panel de control o los bordes.

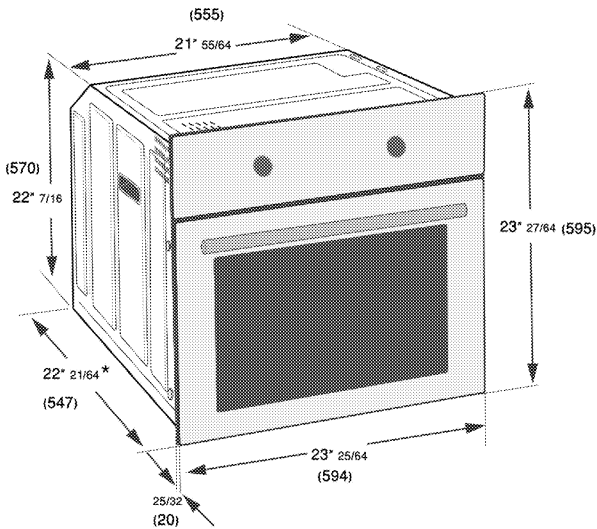
Revisión Final

- Encienda la fuente de alimentación después de instalar el horno.
- Consulte el manual del usuario para el primer uso del horno.
- Revise las funciones.

A

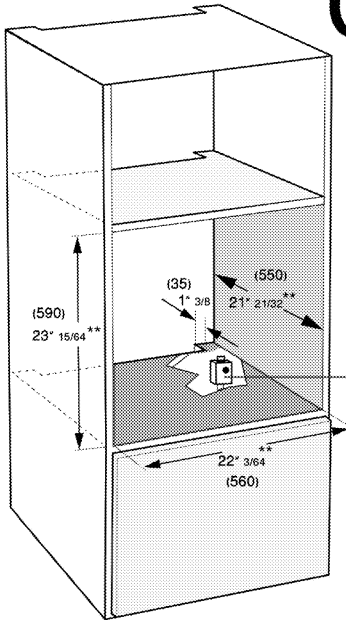


Suministro eléctrico del horno: Ubique la caja de conexiones en un gabinete adyacente o debajo de la superficie de soporte inferior.

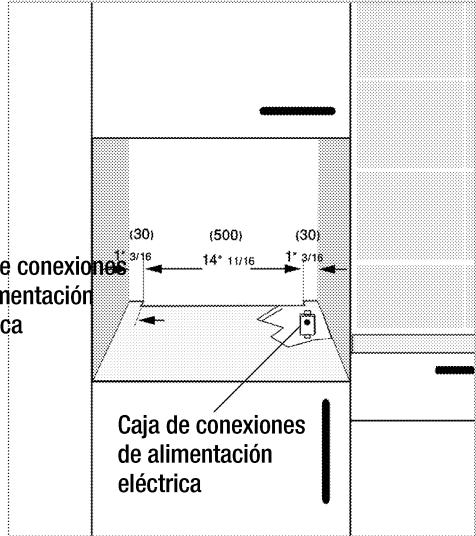


B

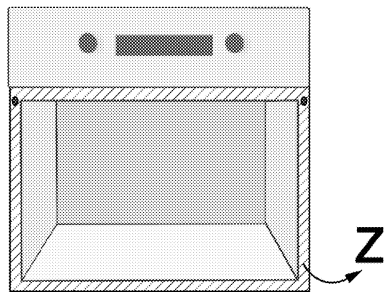
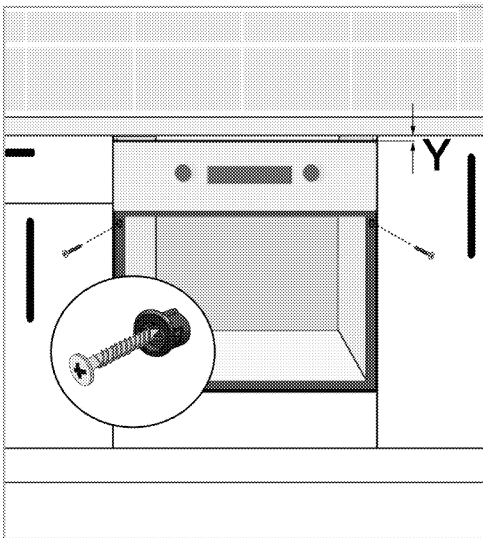
C



Caja de conexiones de alimentación eléctrica



D



Instalación y conexión

i AVISO

¡Daño del material!

La puerta o la manija no se deben usar para elevar o mover el aparato.

Si el aparato tiene manijas con cables, empuje las manijas, de nuevo en las paredes laterales después de mover los aparatos.

- Transporte el aparato con al menos dos personas que lo ayuden.
- Para la instalación, el aparato se debe conectar de acuerdo con todas las regulaciones eléctricas o de gas locales.

⚠ PELIGRO:

Riesgo de descarga eléctrica

- Tenga mucho cuidado al perforar orificios en la pared o piso. Puede haber cables eléctricos ocultos ubicados detrás de la pared o debajo del piso.

Si no sigue estas instrucciones puede ocurrir una descarga eléctrica u otra lesión personal.

i IMPORTANTE:

¡Daño de la propiedad!

- Comuníquese con un instalador o contratista calificado para determinar el método adecuado para perforar los orificios en la pared o en el material del piso (como pisos de cerámico, pisos de madera, etc.)
- No deslice la unidad por un piso sin protección.
- Si no se siguen estas instrucciones se pueden dañar las paredes o las coberturas del piso.

- La Ley de Imposición de Materiales Tóxicos y Agua Potable Segura de California requiere que el Gobernador de California publique una lista de sustancias conocidas en el Estado de California que causan cáncer, defectos al nacer u otro daño reproductivo y requiere que los negocios adviertan sobre la exposición potencial a esas sustancias.

i IMPORTANTE:

Este producto contiene un químico conocido por el Estado de California que causa cáncer, defectos al nacer u otro daño reproductivo.

Este aparato puede causar exposición de nivel baja a algunas de las sustancias mencionadas, incluida bencina, formaldehído, monóxido de carbono y tolueno.

Instrucciones para la instalación

- Conexiones eléctricas:
- Atención instalador
- Todas las paredes del horno eléctrico deben estar cableadas (cableado directo) en una caja de conexiones aprobada. No se permite un enchufe y receptáculo en estos productos. No acorte el conducto flexible. La abrazadera de alivio de tensión del conducto debe estar colocada de forma segura en la caja de conexiones y el conducto flexible se debe sujetar de forma segura a la abrazadera. Si el conducto flexible no entra en la abrazadera, no instale el horno hasta que se obtenga una abrazadera del tamaño correcto.

Ubicación de la placa de características

Abra la puerta delantera para ver la placa de características.



Conexión eléctrica

i IMPORTANTE: Guarde para que lo utilice el inspector eléctrico local.

i IMPORTANTE: Cualquier trabajo en el equipo eléctrico y en los sistemas solamente debe ser realizado por personas calificadas autorizadas.

- Es importante que el lugar de la instalación tenga un sistema eléctrico adecuado. Antes de instalar el horno, un electricista calificado debe controlar y aprobar que la adición del horno no sobrecargue el circuito eléctrico en el que se va a instalar. Los datos del suministro eléctrico deben corresponder con los datos especificados en la placa de tipo. La placa de tipo se puede alcanzar al abrir la puerta delantera del horno.
- La unidad se debe instalar y conectar de acuerdo con las regulaciones nacionales y locales.
- El cable para otros reemplazos debe corresponder con las especificaciones mencionadas en el manual del usuario.

- Apague la fuente de alimentación antes de instalar el horno. El producto no debe estar conectado a la alimentación principal antes de completar la instalación.

Conexión a la alimentación principal

i IMPORTANTE: La instalación eléctrica debe cumplir con los códigos locales y nacionales.

i IMPORTANTE: Este aparato debe tener una conexión a tierra.

PELIGRO:

Suministro de energía.

El cable de la **alimentación principal** no debe estar pinzado, doblado o atrapado ni debe estar en contacto con partes calientes del aparato.

Si la **alimentación principal** está dañada, debe ser reemplazada por un electricista calificado.

Asegúrese de que su aparato esté correctamente instalado y conectado a tierra por un técnico calificado. Pídale a su distribuidor que le recomiende un técnico calificado o un servicio de reparación autorizado.

Este aparato se fabrica con un cable A TIERRA verde conectado al chasis del horno. Luego de asegurarse de que se apagó la alimentación, conecte el conducto flexible desde el horno a la caja de conexión usando un conector de conducto homologado por UL.

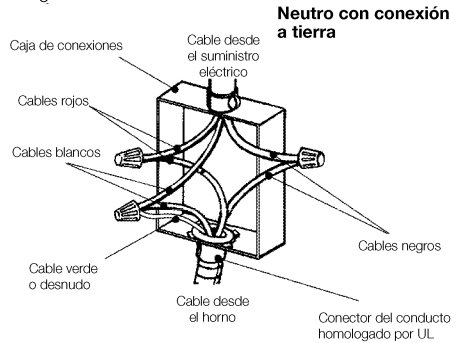
Las figuras A y B y las instrucciones proporcionadas a continuación presentan la manera más común de conectar los hornos. Su códigos y ordenanzas locales, por supuesto, tienen prioridad ante estos. Complete las conexiones eléctricas de acuerdo con los códigos y ordenanzas locales. "ADVERTENCIA" Riesgo de descarga eléctrica, bastidor con conexión a tierra en neutro del dispositivo mediante un enlace.

La descarga a tierra mediante el conductor neutro está prohibida para las instalaciones de circuitos derivados nuevos (1996 NEC) en casa rodante y vehículos de recreo o en áreas donde los códigos locales prohíben la descarga a tierra mediante el conductor neutro. Para las instalaciones donde la descarga a tierra mediante el conductor neutro está prohibida:

- Desconecte el cable a tierra del neutro en el extremo libre del conducto;
- Use el terminal a tierra del cable para conectar a tierra la unidad; y
- Conecte el terminal neutro o el cable al circuito derivado neutro de manera usual.

Circuito derivado del cable (solo para Estados Unidos)

Figura A

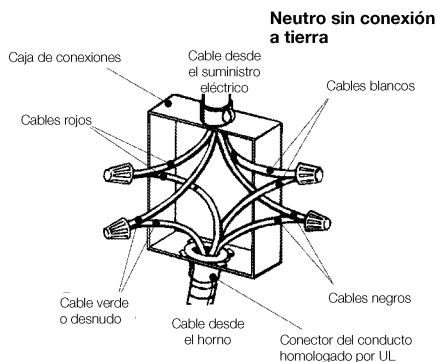


Consulte la figura A, donde los códigos locales permiten la conexión del cable A TIERRA desde el horno al cable NEUTRO del circuito derivado (cable de color gris o blanco):

- Si los códigos locales lo permiten, conecte el cable A TIERRA verde desde el horno y el cable blanco desde el horno al cable NEUTRO del circuito a tierra (cable de color gris o blanco).
- Conecte los cables rojo y negro desde el horno a los cables correspondientes en la caja de conexiones.

Circuito derivado del cable (para Estados Unidos y Canadá)

Figura B



Consulte la figura B:

- Desconecte el cable a tierra del neutro en el extremo libre del conducto.
- Conecte el cable A TIERRA verde desde el horno al cable A TIERRA en la caja de conexiones (cable desnudo o verde).
- Conecte los cables rojo y negro desde el horno a los cables correspondientes en la caja de conexiones.
- Conecte el cable blanco desde el horno al cable NEUTRO (gris o blanco) en la caja de uniones.

Requerimientos eléctricos:

- A este aparato se le debe suministrar el voltaje y la frecuencia adecuada y se debe conectar a un circuito derivado individual con la adecuada descarga a tierra y protegido por un disyuntor o fusible.

- Vea la placa de características ubicada en el borde interior para determinar la clasificación del producto. Use el siguiente cuadro para determinar el mínimo recomendado de la protección del circuito dedicado.

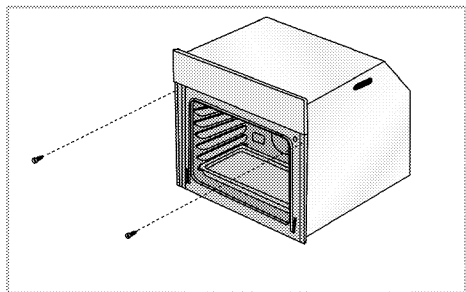
kW 240 V nominal	Tamaño del circuito recomendado (dedicado)
< 4,8 kW	20 Amp

Para las instalaciones donde la descarga a tierra mediante el conductor neutro está prohibida.

Los datos de la alimentación principal deben corresponder con los datos especificados en la placa de características del aparato. La placa de características se ve cuando la puerta o la cubierta inferior se abre o está ubicada en la pared trasera del aparato según el tipo de aparato.

Instalación

1. Deslice el horno por la apertura del gabinete, alinee y asegure.

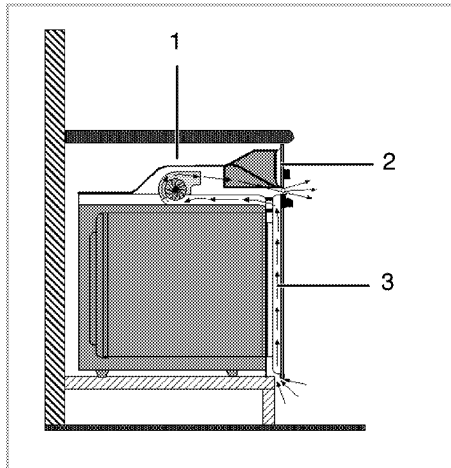


- Fije su horno con dos tornillos y arandelas como se indica en la figura.

Revisión final

- 1. Conecte el aparato a la alimentación eléctrica y encienda la alimentación.
- 2. Revise la función.

Para el equipo con un ventilador de enfriamiento



- 1 Ventilador
- 2 Panel de control
- 3 Puerta

- El ventilador de refrigeración integrado enfría el gabinete integrado y la parte delantera del aparato.

i NOTA

El ventilador de refrigeración continúa funcionando durante 20 a 30 minutos (aproximadamente) después de que se apaga el horno.

3 PREPARACIÓN

Consejos para ahorrar energía

Los siguientes consejos lo ayudarán a usar su aparato de forma ecológico y a ahorrar energía:

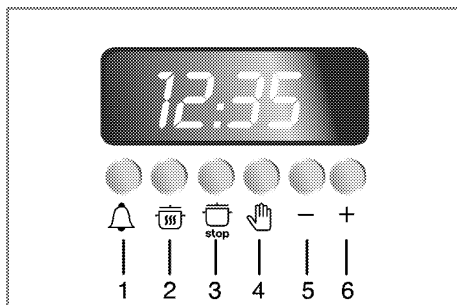
- Use bandejas de color oscuro o recubiertas con esmalte, ya que la transmisión de calor será mejor.
- Mientras cocina sus comidas, realice un precalentamiento si se aconseja en el manual del usuario o en las instrucciones de cocina.
- Durante la cocción, no abra la puerta del horno con frecuencia.
- Intente cocinar más de un tipo de comida en el horno al mismo tiempo (Puede cocinar dos comidas diferentes al mismo tiempo al ubicar los recipientes de cocción en el mismo estante). Será adecuado cocinar más una comida después de cada una. El horno todavía estará caliente.
- Descongele las comidas congeladas antes de cocinarlas.
- Puede ahorrar energía al apagar su horno unos minutos antes del fin del tiempo de cocción (No se debe abrir la puerta del horno).

Operación inicial

Antes del primer uso del aparato, no olvide retirar la etiqueta adhesiva en la pantalla del temporizador digital.

Cómo fijar la hora

i IMPORTANTE: Antes de usar el horno se debe fijar la hora del reloj. Si no se fija la hora del reloj, el horno principal no funcionará.



Teclas para:

- 1 Alarma
 - 2 Duración
 - 3 Finalización del tiempo de cocción
 - 4 Modo manual y hora del día
Teclas para el ajuste de la hora:
 - 5 Tecla menos
 - 6 Tecla más
1. Presione la tecla 4.
 2. Fije el reloj con la tecla 5 o tecla 6. Al presionar brevemente la tecla, avanza el reloj un minuto o se reinicia. Cuando mantiene la tecla individual presionada, los minutos avanzan o se reinicia rápidamente.

Primer limpieza del aparato

i IMPORTANTE: Cuando se retira el aparato para limpiarlo o repararlo;

Desconecte la alimentación de CA.

Con cuidado retire el horno al tirar hacia afuera.

i AVISO: La superficie se puede dañar con algunos detergentes o materiales de limpieza.

No use detergentes agresivos, polvo/ crema de limpieza ni objetivos filosos. Tenga cuidado para evitar quemaduras por vapor. Algunos agentes de limpieza pueden producir humos nocivos si se aplican en una superficie caliente.

1. Retire todos los materiales de empaque.
2. Limpie las superficies del aparato con un paño húmedo o esponja y seque con un paño.

Calentamiento inicial



ADVERTENCIA: Las superficies calientes pueden causar quemaduras

No toque las superficies calientes del aparato. Use guantes para horno. Mantenga a los niños lejos del aparato.

i IMPORTANTE: Se pueden emitir olor y humo durante el primer calentamiento. Asegúrese de que la habitación esté bien ventilada.

Cualquier residuo de producción o capas de conservación se deben quemar antes del primer uso. Caliente el aparato durante aproximadamente 30 minutos luego apáguelo.

Horno eléctrico

1. Saque todas las bandejas y rejillas del horno.
2. Cierre la puerta del horno.
3. Seleccione el calor inferior y superior con la perilla de función.
4. Seleccione la temperatura más alta con la perilla del termostato, consulte Cómo usar el horno eléctrico, página 23.

5. Caliente aproximadamente 30 minutos.
6. Apague el horno, consulte Cómo usar el horno eléctrico, página 23.

Parilla

1. Saque todas las bandejas y el estante de alambre del horno.
2. Cierre la puerta del horno.
3. Seleccione la potencia máxima de la parrilla, consulte Cómo operar la parrilla, página 26.
4. Caliente aproximadamente 30 minutos.
5. Apague la parrilla, consulte Cómo operar la parrilla, página 26

4 CÓMO OPERAR EL HORNO

Información general sobre cómo hornear, asar y cocinar a la parrilla

PELIGRO:

Riesgo de quemaduras por valor caliente

Párese lejos del horno al abrir la puerta del horno. El aire caliente o el vapor que escapa puede causar quemaduras en las manos, cara u ojos.

Deje que el aire caliente o vapor escape antes de sacar o reemplazar la comida.

Consejos para hornear

- Use placas metálicas adecuadas sin revestimiento antiadherente, contenedores de aluminio o moldes de silicona resistentes al calor.
- Use bien el espacio en la rejilla.
- Se recomienda colocar un molde para horno en el medio de la rejilla.
- Seleccione la posición correcta del estante antes de encender el horno o la parrilla, no mueva las rejillas cuando están calientes.
- Siempre coloque las rejillas del horno en la ubicación deseada mientras el horno está frío. Si la rejilla se debe mover mientras el horno está caliente, no deje que las agarraderas toquen el elemento calentador caliente en el horno.
- Mantenga la puerta del horno cerrada.

Consejos para asar

- Sazonar con jugo de limón y pimienta negra mejorará el rendimiento de cocción cuando se cocina un pollo entero, un pavo o un pedazo grande de carne.

- La carne con hueso tarda entre 15 y 30 minutos más en cocinarse que un pedazo del mismo tamaño sin hueso.
- Debe calcular entre 4 y 5 minutos de tiempo de cocción por centímetro de altura de la carne.
- Deje la carne descansar en el horno durante aproximadamente 10 minutos después del tiempo de cocción. El jugo se distribuye mejor en todo el pedazo y no desaparece cuando se corta la carne.
- El pescado en un plato resistente al fuego se debe colocar en la rejilla en el nivel medio o inferior.

Consejos para cocinar en la parrilla

La parrilla es ideal para cocinar carne, pescado y aves, y alcanzará una linda superficie marrón sin que se seque demasiado. Las piezas planas, brochettes de carne y salchichas son particularmente adecuados para cocinar a la parrilla, también lo son los vegetales con alto contenido de agua como tomates o cebollas.

- Distribuya las piezas a cocinar a la parrilla en el estante de alambre.
- Si la parrilla está en la parrilla de alambre, ubique la bandeja de goteo debajo para juntar la grasa.
- Agregue agua en la bandeja de goteo para una limpieza más sencilla.

Cómo usar el horno eléctrico

IMPORTANTE:

Antes de usar el horno se debe fijar la hora del reloj. Si no se fija la hora del reloj, el horno principal no funcionará.

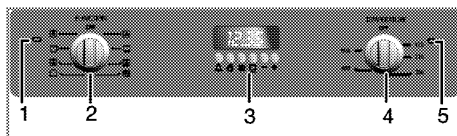
i IMPORTANTE:

Riesgo de envenenamiento de la comida

No deje la comida en el horno más de una hora antes o después de cocinar.

Hacerlo puede causar un envenenamiento de la comida o enfermedad.

Seleccione la temperatura y el modo de funcionamiento



- 1 Lámpara de advertencia
- 2 Perilla de función
- 3 Temporizador digital
- 4 Perilla del termostato
- 5 Lámpara del termostato

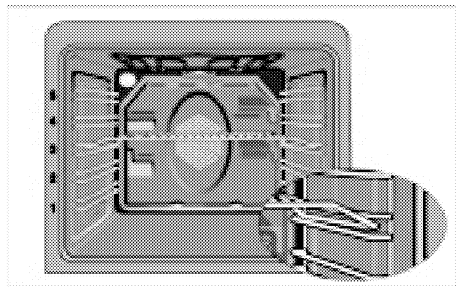
Los modos de funcionamiento del horno eléctrico se seleccionan con la perilla de función. La temperatura se ajusta con la perilla del termostato.

Todas las funciones del horno se apagan al girar hacia la posición de apagado (superior) la perilla relevante.

1. Coloque la perilla del termostato en la temperatura deseada.
 2. Fije la perilla de función en el modo de funcionamiento requerido.
- » El horno se calienta a la temperatura ajustada y la mantiene. Durante el calentamiento, la lámpara de la temperatura permanece encendida.

Apagado del horno eléctrico

Gire la perilla de función y la perilla del termostato a la posición de apagado (arriba).



Posiciones del estante

Es importante ubicar el estante de alambre en la rejilla lateral de forma correcta. El estante de alambre se puede colocar de manera que entre en la apertura del estante de alambre como se ilustra en la figura.

Modos de funcionamiento

Todas las funciones de los hornos (también incluidas en el horno principal) se mencionan en esta sección.

El orden de los modos de funcionamiento que se muestran aquí pueden variar al orden de su aparato.

Estático



El calor superior e inferior está encendido. Los productos alimenticios se calientan simultáneamente desde la parte superior e inferior. Adecuado para tortas, galletitas y pasteles en moldes para horno. Cocine con una bandeja solamente.

Calor inferior



Solamente está encendido el calor inferior. Es particularmente adecuado para platos, como pizza, que se deben hornear desde la parte inferior.

Calor superior e inferior con aire de convección



El calor superior e inferior más el ventilador (en la pared posterior) están encendidos. El ventilador distribuye el aire caliente de forma pareja y rápidamente por todo el horno. Cocine con una bandeja solamente.

Funcionamiento con ventilador



El horno no está calentado. Solo el ventilador (en la pared trasera) está funcionando. Los alimentos granulados congelados se descongelan lentamente a temperatura ambiente y los alimentos cocinados se enfrían.

Aire caliente



El ventilador (en la pared trasera) está funcionando. El ventilador distribuye el aire caliente de forma pareja y rápidamente por todo el horno. En la mayoría de los casos, no se requiere el precalentamiento. Adecuado cuando se usan varios niveles para preparar alimentos. Adecuado para cocinar con varias bandejas.

Función "3D".



El calor superior e inferior más el calor del anillo con el ventilador (en la pared posterior) están encendidos. La comida a cocinar se cocina de forma pareja y rápida todo alrededor. Cocine con una bandeja solamente.

Parilla



La grande (debajo del techo del horno) está en funcionamiento. Adecuado para cocinar grandes cantidades a la parrilla.

- Coloque las porciones grandes o medianas en la posición del estante correcto bajo el calentador de la parrilla para cocinar.

- Fije la temperatura al nivel máximo.
- Gire la comida después de la mitad del tiempo de cocción.

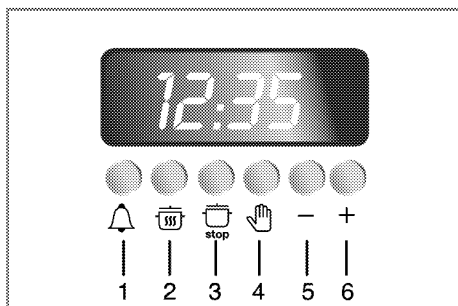
Cocine a la parrilla con el aire de convección



El efecto de parrilla no es tan fuerte como con la parrilla normal.

- Coloque las porciones pequeñas o medianas en la posición del estante correcto bajo el calentador de la parrilla para cocinar.
- Fije la temperatura al nivel máximo.
- Gire la comida después de la mitad del tiempo de cocción.

Cómo operar el temporizador del horno



Teclas para:

- 1 Alarma
- 2 Duración
- 3 Finalización del tiempo de cocción
- 4 Modo manual y hora del día
Teclas para el ajuste de la hora:
- 5 Tecla menos
- 6 Tecla más

i IMPORTANTE:

El tiempo máximo a fijar para el final del proceso de cocción es de 12 horas. En caso de un corte de energía, se cancelará el programa. Es necesario reprogramar.

Encendido del funcionamiento automático completo

En este modo de funcionamiento, después de fijar el tiempo de finalización puede fijar el tiempo de cocción. El horno se ajusta y comienza de forma automática.

1. Presione la tecla 3.
2. Fije el final del tiempo de cocción con la tecla **5** o la tecla **6**. Al presionar brevemente la tecla, avanza un minuto el reloj o lo reinicia. Cuando mantiene la tecla presionada, los minutos avanzan o se reinicia rápidamente.
 - » La indicación "**AUTO**" se enciende en la pantalla.
3. Mantenga la tecla 2 presionada.
4. Fije el tiempo de cocción con la tecla 5 o tecla 6. Al presionar brevemente la tecla, avanza el reloj un minuto o se reinicia. Cuando mantiene la tecla presionada, los minutos avanzan o se reinicia rápidamente.
5. Ponga su plato en el horno.
6. Seleccione la temperatura y el modo de funcionamiento
 - » El horno se calienta hasta la temperatura establecida y mantiene esta temperatura hasta que el final del tiempo de cocción se haya seleccionado. Durante el proceso de cocción, el símbolo de cocción en la pantalla se ilumina.

9. Presione la tecla **3** tan pronto como se complete el proceso de cocción y la alarma suene.
10. Apague el horno con la perilla del termostato y la perilla de función.
11. Presione la tecla **4**.
 - » La indicación "**AUTO**" desaparece de la pantalla.

Encendido del funcionamiento semiautomático

En este modo de funcionamiento, luego de fijar el tiempo de cocción, el horno comienza a cocinar.

1. Presione la tecla 2.
2. Fije el tiempo de cocción con la tecla **5** o tecla 6. Al presionar brevemente la tecla, avanza el reloj un minuto o se reinicia. Cuando mantiene la tecla presionada, los minutos avanzan o se reinicia rápidamente.
 - » La indicación "**AUTO**" se enciende en la pantalla.
3. Ponga su plato en el horno.
4. Seleccione la temperatura y el modo de funcionamiento
 - » El horno se calienta hasta la temperatura establecida y mantiene esta temperatura hasta que el final del tiempo de cocción se haya seleccionado. Durante el proceso de cocción, el símbolo de cocción en la pantalla se ilumina.
5. Presione la tecla **3** tan pronto como se complete el proceso de cocción y la alarma suene.
6. Apague el horno con la perilla del termostato y la perilla de función.
7. Presione la tecla **4**.
 - » La indicación "**AUTO**" desaparece de la pantalla.

IMPORTANTE:

Cuando presiona la tecla 2 durante el proceso de cocción, la pantalla mostrará el tiempo de cocción restante durante un momento.

Interrupción del proceso de cocción

1. Mantenga la tecla **2** presionada.
2. Mantenga presionada la tecla **5** hasta que **"0.00"** se muestre como el tiempo de cocción restante en la pantalla.
3. Suelte la tecla **2**.
4. Presione la tecla **4**.











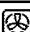



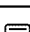
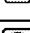


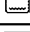
» La indicación **"AUTO"** desaparece de la pantalla.










5. Apague el horno con la perilla del termostato y la perilla de función.

Tabla de los tiempos de cocción

IMPORTANTE:

Los valores indicados en la tabla a continuación son datos indicativos. Pueden variar según el tipo de comida y sus preferencias de cocción.

Comida	Número del nivel de cocción		Posición de la rejilla	Temperatura (°F)	Tiempo de cocción (min.) (aprox.)
Torta en la bandeja	Un nivel		3	350	25 ... 30
Torta en el molde	Un nivel		2	355	40 ... 50
Tortas en papel	Un nivel		3	350	25 ... 30
	2 niveles		1 - 5	350	30 ... 40
	3 niveles		1 - 3 - 5	355	45 ... 55
Torta esponjosa	Un nivel		3	390	5 ... 10
	2 niveles		1 - 5	350	20 ... 30
Galletitas	Un nivel		3	350	25 ... 30
	2 niveles		1 - 5	340 ... 375	30 ... 40
	3 niveles		1 - 3 - 5	350	35 ... 45
Pastelería con levadura	Un nivel		2	390	30 ... 40
	2 niveles		1 - 5	390	45 ... 55
	3 niveles		1 - 3 - 5	390	55 ... 65
Pastelería rellena con gelatina	Un nivel		2	390	25 ... 35
	2 niveles		1 - 5	390	35 ... 45
	3 niveles		1 - 3 - 5	375	45 ... 55
Levadura	Un nivel		2	390	35 ... 45
	2 niveles		1 - 3	375	35 ... 45

Comida	Número del nivel de cocción		Posición de la rejilla	Temperatura (°F)	Tiempo de cocción (min.) (aprox.)
Lasaña	Un nivel		2-3	390	30 ... 40
Pizza	Un nivel		2	390 ... 430	15 ... 20
Pata de cordero (pastel)	Un nivel		3	25 min. max después 355...375	70 ... 90
Pollo asado	Un nivel		3	15 min. max después 355...375	55 ... 65
	Un nivel		2	15 min. max después 355...375	55 ... 65
Pavo (5,5 kg)	Un nivel		2	25 min. max después 355...375	150 ... 210
	Un nivel		2	25 min. max después 355...375	150 ... 210
Pescado	Un nivel		2	390	20 ... 30
	Un nivel		3	390	20 ... 30

Mientras cocina con 2 bandejas al mismo tiempo, ubique la bandeja profunda en el estante superior y la bandeja plana en el estante inferior.

Se sugiere realizar precalentamiento para todas las comidas.

(**) Para precalentar, fije la temperatura requerida, la lámpara del termostato se apagará cuando se alcance la temperatura requerida.

Hornear y asar

i IMPORTANTE: El nivel 1 está en el **nivel** inferior en el horno.

Consejos para hornear tortas

- Si la masa es demasiado seca,
 - » Aumente la temperatura a 50°F y reduzca el tiempo de cocción.
- Si la masa se cae,
 - » Use menos líquido o baje la temperatura a 50°F.
- Si la masa está demasiado oscura en la parte superior,
 - » Ubíquela en la rejilla inferior, baje la temperatura y aumente el tiempo de cocción.

- Si se cocina bien en el interior pero queda pegajosa en el exterior,
 - » Use menos líquido, baje la temperatura y aumente el tiempo de cocción.

Consejos para hornear masa

- Si la masa es demasiado seca,
 - » Aumente la temperatura a aproximadamente 50° F y disminuya el tiempo de cocción.
 - » Humedezca las capas de levadura con una salsa de leche, aceite, huevo y yogur.
- Si la masa tarda demasiado en cocinarse,
 - » Asegúrese de que el espesor de la masa que preparó no exceda la profundidad de la bandeja y permanezca al nivel de la bandeja.

3. Si el lado superior de la masa se pone de color marrón, pero la parte inferior no se cocinó.
 - » Asegúrese de que la cantidad de salsa que usó para la masa no sea demasiado en la parte inferior de la masa. Intente esparcir la salsa de forma pareja entre y sobre las capas de levadura para que se logre un color marrón parejo.
 - » Cocine la masa de acuerdo con el modo y la temperatura dados en la tabla de cocción. Si la parte inferior todavía no está lo suficientemente marrón, colóquela sobre el estante inferior de una capa la próxima vez.

Consejos para cocinar vegetales

1. Si el plato de vegetales se queda sin jugo y se seca demasiado,
 - » Ya que usar una tapa durante la cocción mantendrá el jugo del plato en la cacerola, cocine los platos de vegetales en una cacerola con una tapa en lugar de en una bandeja.
2. Si un plato de vegetales no se cocina,
 - » Hierva los vegetales de antemano o prepárelos como comida enlatada y póngalos en el horno.

CÓMO OPERAR LA PARRILLA

IMPORTANTE:

Antes de usar el horno se debe fijar la hora del reloj. Si no se fija la hora del reloj, el horno principal no funcionará.



ADVERTENCIA:

Las superficies calientes pueden causar quemaduras

Cierre la puerta del horno durante la cocción.

Encienda la parrilla

1. Fije la perilla de función en el símbolo de parrilla.
2. Fije la temperatura de la parrilla.
3. Precaliente durante aproximadamente 5 minutos, si es necesario.
 - » La lámpara del termostato está encendida.

Apague la parrilla

1. Gire la perilla de control de la parrilla a la posición de apagado (arriba).

Posiciones del estante

Para una cobertura óptima de la parrilla, ubique el estante de alambre hacia el frente del horno sin que toque la puerta de vidrio. Colocar el estante de alambre completamente en la parte posterior del horno reducirá la cobertura de la parrilla.

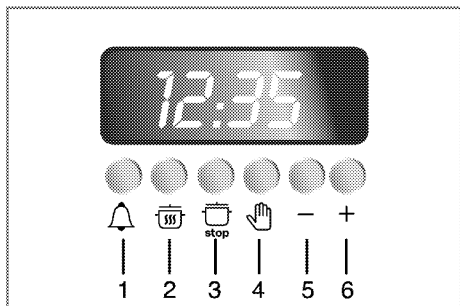
Tabla de tiempos de cocción para la rejilla

Comida	Nivel de inserción	Tiempo de asado (aprox.) #
Pescado	4...5	20...25 min. #
Pollo rebanado	4...5	25...35 min.
Cordero cortado	4...5	20..0.25 min.
Filete asado	4...5	25..0.30 min. #
Carne de ternera cortada	4...5	25..0.30 min. #
Pan tostado	4	1..0.2 min.
# según el espesor		

Cómo usar la alarma

Además de usar el temporizador para cocinar, también se puede usar como recordatorio o reloj despertador.

Cuando se termina el período de tiempo definido, la alarma emite una señal. La alarma no tiene influencia en las funciones del horno.



Teclas para:

- 1 Alarma
- 2 Duración
- 3 Finalización del tiempo de cocción
- 4 Modo manual y hora del día
Teclas para el ajuste de la hora:
- 5 Tecla menos
- 6 Tecla más

Cómo fijar la alarma

1. Presione la tecla 1.

i IMPORTANTE:

El tiempo máximo de la alarma puede ser 23 horas y 59 minutos.

2. Con la tecla **5** o la tecla **6** puede fijar el período de tiempo que va a transcurrir antes de que suene la señal de la alarma. Al presionar

brevemente la tecla, avanza un minuto el reloj o lo reinicia. Cuando mantiene la tecla individual presionada, los minutos avanzan o se reinicia rápidamente.

- » Se ilumina el símbolo de la alarma en la pantalla.

i IMPORTANTE:

Cuando presiona la tecla 1 mientras la alarma está activada, la pantalla mostrará el tiempo de cocción restante durante un momento.

Apagado de la alarma

1. Presione cualquier tecla cuando la señal de la alarma suena.
- » Se apaga el símbolo de la alarma en la pantalla.

Para cancelar la hora de la alarma establecida,

1. Para reiniciar la hora de la alarma, se presiona la tecla **1**.
 2. Mantenga presionada la tecla **5** hasta que "**0.00**" se muestre como el tiempo restante en la pantalla.
- » Se apaga el símbolo de la alarma en la pantalla.

5 MANTENIMIENTO Y CUIDADO

Información general

PELIGRO:

Riesgo de descarga eléctrica

Apague la electricidad antes de limpiar el aparato para evitar una descarga eléctrica.

 **PELIGRO:** Las superficies calientes pueden causar quemaduras

Deje que el aparato se enfríe antes de limpiarlo.

AVISO:

La superficie se puede dañar con algunos detergentes o materiales de limpieza.

No use detergentes agresivos, polvo/crema de limpieza ni objetivos filosos.

Limpie el aparato minuciosamente después de cada uso, de esta manera será posible retirar los residuos de cocción más fácilmente y evitar que se quemen la próxima vez que se usa el aparato.

No se requieren agentes de limpieza especiales para limpiar el aparato. Se recomienda usar agua caliente con líquido para lavar, un paño suave o esponja y use un paño seco para secar.

No use materiales de limpieza abrasivos.

IMPORTANTE:

No use limpiadores a vapor para limpiar.

Limpieza del panel de control

AVISO:

Daño del panel de control

No retire las perillas de control para limpiar el panel de control.

Limpie el panel de control y las perillas de control.

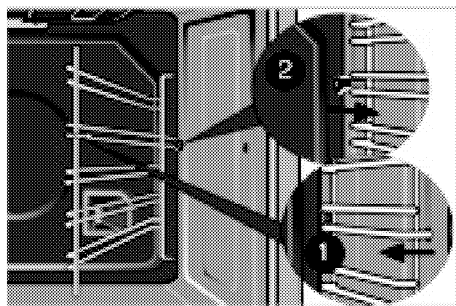
Limpieza del horno

No se requiere un limpiador de horno ni otro agente de limpieza especial para limpiar el horno. Se recomienda limpiar el horno con un paño húmedo mientras todavía está caliente.

No permita que la grasa o el aceite se acumule en la base del horno ni en los accesorios del horno.

Para limpiar la pared lateral,

1. Retire la sección frontal de la rejilla lateral al tirarla en la dirección opuesta de la pared lateral.
2. Retire la rejilla lateral por completo al tirarla hacia usted.



Paredes catalíticas

Las paredes laterales o la pared posterior del interior del horno pueden estar cubiertas por esmalte catalítico.

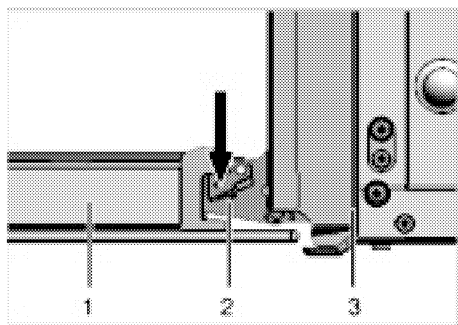
Las paredes catalíticas del horno no se deben limpiar. La superficie porosa de las paredes es autolimpiante al absorber y convertir la grasa salpicada (vapor y dióxido de carbono).

Limpeza de la puerta del horno

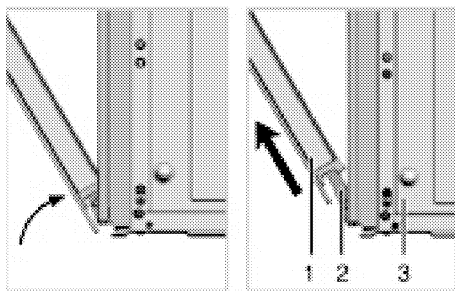
No use limpiadores abrasivos fuertes ni raspadores de metal filosos para limpiar la puerta del horno. Pueden rayar la superficie y destruir el vidrio.

Extracción de la puerta del horno

1. Abra la puerta delantera.
2. Abra los sujetadores en la carcasa de la bisagra en los lados izquierdo y derecho de la puerta frontal al presionarlos como se ilustra en la figura.



- 1 Puerta frontal
- 2 Bisagra
- 3 Horno



3. Mueva la puerta frontal hasta la mitad.
4. Retire la puerta frontal al tirarla hacia arriba para soltarla de las bisagras derecha e izquierda.

i AVISO:

Los pasos realizados durante el proceso de extracción se deben realizar en orden inverso (pasos 4, 3, 2 y 1) para volver a colocar la puerta. No olvide cerrar los sujetadores en la carcasa de la bisagra al volver a instalar la puerta.

Cambiar la lámpara del horno

⚠ PELIGRO:

Las superficies calientes pueden causar quemaduras

Asegúrese de que el aparato esté apagado y se haya enfriado para evitar el riesgo de descarga eléctrica.

Las lentes deben estar en lugar cuando usa el horno.

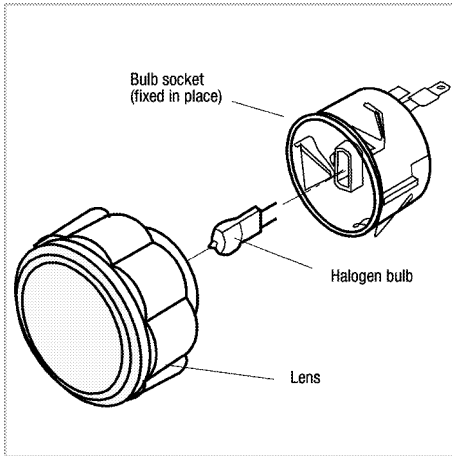
Las lentes sirven para proteger la bombilla para que no se rompa.

Las lentes están hechas de vidrio.

Manipule con cuidado para evitar que se rompa. El vidrio roto puede causar una lesión.

i AVISO:

La posición de la lámpara puede variar con la del diagrama.



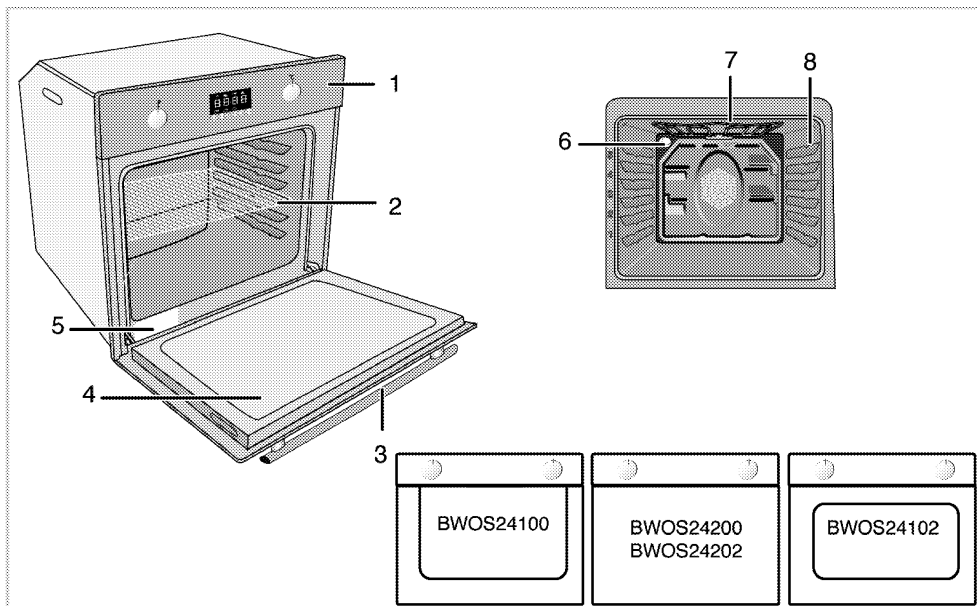
Cada horno está equipado con dos luces halógenas ubicadas en la pared posterior del horno. Las luces se encienden cuando la puerta está abierta o cuando el horno está en el ciclo de cocción. Las luces del horno no se iluminan durante la limpieza automática. Cada ensamble de la luz consiste de una lente extraíble, una bombilla de luz y una carcasa de la toma de la luz que está fijada en el lugar. El reemplazo de la bombilla de luz se considera un mantenimiento de rutina.

Para reemplazar una bombilla:

1. Lea la advertencia en esta página.
2. Apague la energía en la alimentación principal (su fusible o caja de disyuntores).

6 INFORMACIÓN GENERAL

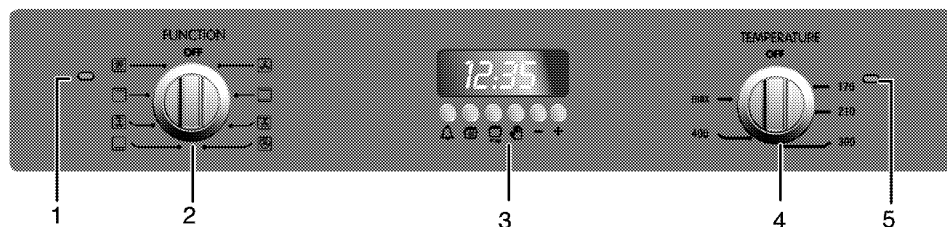
Descripción general



1. Panel de control
2. Estante de alambre
3. Manija
4. BWOS 24100 has – Protección de la puerta de acero inoxidable en forma de U

BWOS 24200-24202 puerta de vidrio sin protección

5. Etiqueta de características
6. Lámpara
7. Elemento calentador superior
8. Posiciones del estante
9. Motor del ventilador (detrás de la placa de acero)



- 1 Lámpara de advertencia
- 2 Perilla de función
- 3 Temporizador digital
- 4 Perilla del termostato
- 5 Lámpara del termostato

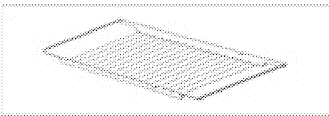
Datos técnicos

GENERALES	
Dimensiones exteriores (altura/ancho/profundidad)	595 mm(23" 27/64) /594 mm(23" 25/64) /567 mm (22" 21/64) pulgadas
Dimensiones de instalación (altura/ancho/profundidad)	590 o 600 mm (23" 15/64 o (23" 5/8) /560 mm (22" 3/64) /min. 550 mm (21" 21/32) pulgadas
Voltaje/frecuencia	120/240V ~ 60 Hz
Potencia eléctrica total	2.5 kW
Protección del fusible	min. 20 A
Tipo de cable /sección transversal	BC-SIL 4X15 AWG
Longitud del cable	min. 3 max. 6 pies
Horno principal	Horno multifunción
Iluminación interior	15–25 W
Consumo de energía de la parrilla	2.2 kW

Accesorios suministrados con la unidad

i **IMPORTANTE:** Los accesorios suministrados pueden variar según el modelo del producto. Todos los accesorios descritos en el manual del usuario pueden no existir en su producto.

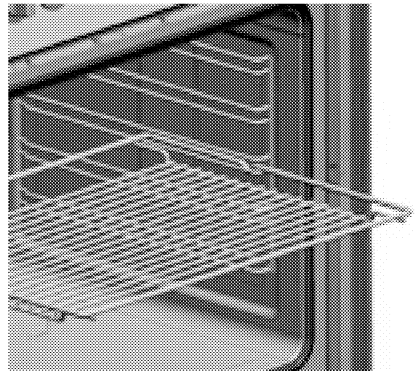
Estante de alambre



Se puede usar para asar y como depósito para platos para asar, rostizar y hacer pasteles.

Posicionamiento adecuado del estante de alambre en los estantes deslizantes

Es importante ubicar la parrilla o la bandeja de goteo correctamente en los estantes de alambre. Deslice la parrilla o la bandeja de goteo por completo entre los dos rieles y asegúrese de que esté estable antes de colocar un plato sobre ella. (Consulte la figura a continuación).



7 SOLUCIÓN DE PROBLEMAS

PELIGRO

Riesgo de descarga eléctrica, cortocircuito o incendio por reparaciones no profesionales.

Las reparaciones en el aparato deben ser realizadas por un centro de servicio aprobado.

- Se puede emitir humo y olor durante un par de horas durante la primera operación.
- Es normal que el vapor escape durante la operación.
- Cuando se calientan las partes de metal, pueden expandirse y causar ruido.

Condiciones de funcionamiento normal

Antes de llamar al servicio, revise los siguientes puntos

Equipo eléctrico

Falla/problema	Causa posible	Consejo/solución
El aparato no funciona.	El fusible de alimentación principal es defectuoso o se desconectó.	Revise los fusibles en la caja de fusibles. Si es necesario, cámbielos o restablézcalos.
	El enchufe del aparato no se pueden conectar al tomacorriente con descarga a tierra.	Revise la conexión del enchufe.
	Los botones del temporizador no funcionan.	El bloqueo puede estar activado. Desactívelo (Consulte Cómo usar el bloqueo del programa,
La luz del horno no funciona	La lámpara del horno es defectuosa	Reemplace la lámpara del horno.
	Sin corriente.	Revise los fusibles en la caja de fusibles. Si es necesario, cámbielos o restablézcalos.
El horno no calienta.	La perilla de función y la perilla del termostato no están fijadas.	Fije la perilla de función y la perilla del termostato.
	Si el aparato tiene un temporizador, el temporizador puede no estar fijado.	Fije la hora.
	Sin energía.	Revise la alimentación principal y la caja de fusibles.

Reloj/ temporizador (Si el aparato tiene un temporizador digital)

Falla/problema	Causa posible	Consejo/solución
La pantalla del reloj parpadea o el símbolo del reloj está encendido.	La energía se interrumpió previamente.	Fije la hora Luego apague el horno con las perillas de función, fije de nuevo la función del horno.

Si el problema no se resolvió:

1. Separe la unidad de la alimentación principal (desactive o destornille el fusible).
2. Llame al servicio de postventa de su revendedor de la tienda.

IMPORTANTE

No intente reparar el aparato usted mismo. No hay elementos de servicio al cliente dentro del aparato.

8 DECLARACIÓN DE LA GARANTÍA para los hornos eléctricos y a gas de Blomberg

(hornos de pared / encimeras)

Las garantías proporcionadas por Blomberg en estas declaraciones sólo se aplican a los aparatos de cocina Blomberg (hornos de pared / encimeras) vendidos al comprador original o propietario doméstico en EE.UU. y Canadá. La garantía no es transferible. Para obtener el servicio en garantía, póngase en contacto con nuestro distribuidor más cercano, según se muestran en la lista por estados. Necesitará el número de modelo, número de serie, nombre y dirección del comercio donde haya adquirido el producto (horno de pared / encimera) y la fecha de compra / fecha de instalación. Esta garantía le confiere derechos legales específicos, y usted puede tener otros derechos que varían entre los diferentes estados.

De acuerdo con la garantía limita de un 1 año* a partir de la fecha de la primera instalación, Blomberg reparará o sustituirá, sin coste alguno para el consumidor, las piezas defectuosas de los aparatos de cocina (hornos de pared / encimeras) si se utilizan bajo condiciones domésticas normales (la garantía queda anulada si se da al producto un uso comercial). El servicio será prestado por un servicio técnico autorizado de Blomberg, de lo contrario, la garantía quedará anulada. (Deberá informar de los defectos cosméticos en un plazo no superior a 10 días tras la instalación)

De acuerdo con la garantía limitada de 2 años * ++ a partir de la primera instalación (sólo piezas), Blomberg reparará o sustituirá cualquier pieza sin coste alguno para el consumidor si defectos en los materiales o mano de obra han causado el daño o fallo de estos componentes. De nuevo, el aparato deberá utilizarse bajo condiciones domésticas normales y no comerciales, como se ha indicado anteriormente (los gastos de mano de obra son responsabilidad del consumidor)

De acuerdo con la garantía limitada de 5 años * ++ a partir de la primera instalación (sólo piezas 2-5 años), Blomberg reparará o sustituirá cualquier tarjeta de circuito sin coste alguno para el consumidor si defectos en los materiales o de mano de obra de un servicio técnico autorizado han causado el daño o fallo de estos componentes. Los aparatos de cocina (hornos de pared / encimeras) deberán utilizarse bajo condiciones domésticas normales y no comerciales (los gastos de mano de obra son responsabilidad del consumidor)

Garantía limitada de por vida a partir de la fecha de la primera instalación *++ (sólo piezas)

Renuncia a las garantías y exclusiones: la garantía no cubre los costes de servicio de un servicio técnico autorizado para corregir la instalación, problemas eléctricos o impartir instrucciones en relación con el uso de los aparatos de cocina (hornos de pared / encimeras). La garantía tampoco cubre defectos o daños causados por una circunstancia de causa mayor (por ejemplo, tormentas, inundaciones, incendios, avalanchas de lodo, etc.), los daños causados por el uso de los aparatos de cocina (hornos de pared / encimeras) para fines diferentes de aquellos para los que han sido diseñados, usos indebidos, abusos, accidentes, alteraciones, instalación o mantenimiento inadecuados, gastos de desplazamiento, llamadas de servicio fuera de los horarios normales de trabajo, trabajos o trabajos de servicios no autorizados.

Este producto ha sido totalmente probado y se ha sometido a inspecciones de aseguramiento de calidad oficiales antes de su salida desde el emplazamiento de fabricación original. Las condiciones de garantía para este aparato Blomberg no tendrán validez si el producto ha sido alterado o modificado, si se han añadido piezas adicionales, ha sido fijado o reembalado por un distribuidor autorizado, personal de mantenimiento, terceros, revendedores o cualquier otra persona o personas no autorizadas.

EN EL GRADO PERMITIDO POR LA LEY, ESTA GARANTÍA SUSTITUYE A CUALQUIER OTRA GARANTÍA EXPRESA O IMPLÍCITA, INCLUIDAS LAS GARANTÍAS IMPLÍCITAS DE COMERCIABILIDAD Y ADECUACIÓN PARA UN FIN PARTICULAR. BLOMBERG NO ACEPTA NINGUNA RESPONSABILIDAD SOBRE LA CALIDAD DE ESTE PRODUCTO, A EXCEPCIÓN DE LO EXPRESADO EN ESTA DECLARACIÓN DE GARANTÍA. BLOMBERG NO ASUME NINGUNA RESPONSABILIDAD SOBRE LA ADECUACIÓN DEL PRODUCTO PARA CUALQUIER FIN PARTICULAR PARA EL QUE SE ADQUIERA, A EXCEPCIÓN DE LO EXPRESADO EN ESTA DECLARACIÓN DE GARANTÍA.

Blomberg no asume ninguna responsabilidad sobre los daños incidentales o consecuenciales. Tales daños incluyen, aunque no limitado a ellos, la pérdida de beneficios, pérdidas de ahorros o ingresos, pérdida de uso del aparato o cualquier equipo asociado, costes de capital, costes de cualquier equipo, instalación o servicio de sustitución, tiempos de parada, reclamaciones de terceros y daños materiales. Algunos estados no permiten la exclusión o limitación de daños incidentales o consecuenciales y, por está razón, las citadas limitaciones o exclusiones pueden no ser aplicables en su caso particular.

* la fecha de instalación hará referencia a la fecha de compra o 5 días hábiles tras la entrega del producto en la vivienda, la que sea posterior.

++Las piezas sustituidas asumirán la identidad de las piezas originales + su garantía original.

Ninguna otra garantía. Esta Declaración de garantía es la garantía completa y exclusiva del fabricante. Ningún empleado de Blomberg o cualquier otra persona tienen autoridad para realizar ninguna declaración de garantía además de las incluidas en esta Declaración de garantía. Guarde esta tarjeta de garantía, el manual de usuario y el justificante de venta.

CÓMO SOLICITAR ASISTENCIA TÉCNICA

Póngase en contacto con el Distribuidor de su estado o provincia, consultando la Lista de contacto de distribuidores, o llame al número gratuito 1 800 459 9848, donde le indicarán como ponerse en contacto con un Servicio Técnico Autorizado de Blomberg. 02 01

