

30 INCH PRO-STYLE GAS RANGE

BGRP34520SS / BGRP34520CSS

Contemporary European Design

Winner of the prestigious iF Design award, Blomberg ranges bring sophistication, thoughtfulness, and cutting-edge technology to the kitchen, harmonizing elegance with chef-worthy functionality with the effortless style your upscale home deserves. This balance is evident in every feature, from the sleek oven handle and sculpted ergonomic knobs to the beautiful LED lights under the bullnose that illuminate the controls and programmable electronic timer.



In Harmony with Your Life



20,000 BTU Burner

Ingenious Blomberg technology can actually help you refine your culinary skills! Flexible-power burners offer pre-set options for more precise cooking at different temperatures. The 20,000 BTU setting delivers high heat to speed up preparation with a fast boil or sizzle. Switching to the 675 BTU setting automatically adjusts to gentler heat, ideal for simmering delicate sauces, melting chocolate, or cooking fluffy rice like an expert.



Programmable Self-Clean Oven

Time is the ultimate luxury, and Blomberg ranges protect yours with high-tech programmable self-cleaning oven technology that lets you set exactly the right cycle. Set it for three hours, four hours, or five hours depending on the level of cleaning required. There's no need to scrub hard-to-reach surfaces, scrape up stubborn spills, or use harsh chemicals. At the end of the cycle, simply wipe away ash with a cloth.



Industry-leading Oven Capacity

Blomberg knows you can never have too much room in your oven, especially when you're entertaining. That's why we feature the largest oven capacity available in a 30-inch range, with 5.7 cu. ft. of cooking space to accommodate everything from holiday roasts to full-size commercial baking sheets. Dual interior lights and a large viewing window make it easy to monitor what's cooking.



Auto Re-Ignition

Blomberg ranges are designed to be intelligent as well as stylish and efficient. Safety is built in, with automatic re-ignition should a gust of wind, a spill, or a boil-over extinguish the burner flame at any time during cooking.

30 INCH PRO-STYLE GAS RANGE

BGRP34520SS / BGRP34520CSS



Cooktop

- 5 gas burners
 - 20,000 Btu power burner with simmering
 - Oval shaped center burner
- Auto re-ignition
- Easy to clean enamel burner plate
- Electronic ignition knob integrated
- Cast iron continuous pan supports

Range

- Convection cooking
- Self-clean oven
- Industry leading oven capacity 5.7 cu. ft.
- Sabbath mode
- Bull nose lighting
- Cool touch door
- 3 Wire heavy duty racks
- Gas safety valve
- Full extension telescopic rack
- Easy to clean enamel oven interior
- Interior lighting
- Adjustable feet
- LPG conversion kit

Accessories

- Griddle optional
- Side trim kit optional
- Island trim included

Dimensions

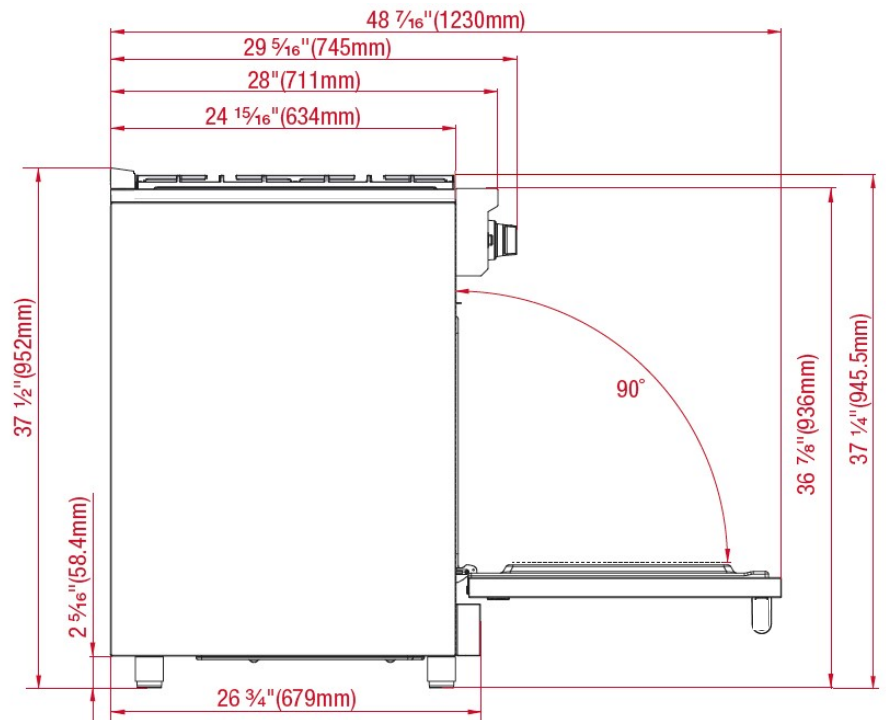
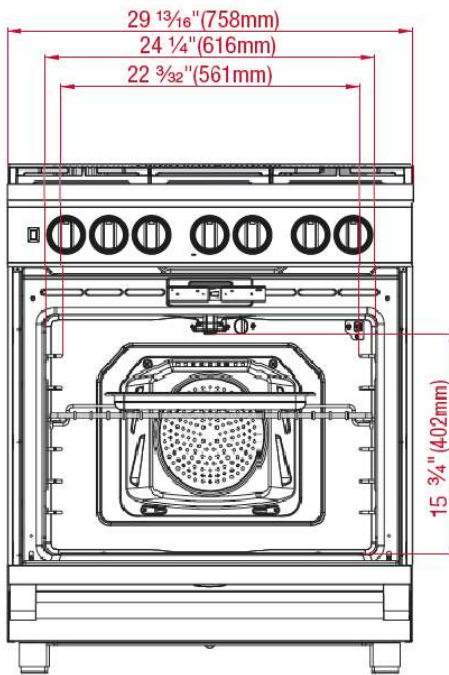
- H x W x D: 37 1/2" x 29 13/16" x 29 5/16"
- Height includes 1 1/2" for back guard
- Depth includes knobs & handle

GENERAL	BGRP34520SS / BGRP34520CSS
Type	Freestanding
Size	30"
Color	Stainless Steel
Side Walls	Black
Control type	Knob control with multi functions
FUNCTIONS	
Multi-dimensional Cooking	No
Convection Cooking	Yes
Bottom Heater	Yes
Convection	Yes
Broiler	Yes
Broil	Gas
Convection broiler	Yes
Convection roast	Yes
True European convection	No
SPECIAL FEATURES	
12/24-hour clock format	-
Splash Back	Optional
Island Trim	Included
Simmering	Yes
Cooling Fan	No
Cavity Enameling Color	Black
Oven Lights	2 x Halogen
Adjustable Feet	Yes
Anti-tip (tilting) bracket	Yes
Bottom Compartment	No
Fuel Type	NG
LPG Conversion Kit	Yes
OVEN DOOR(S)	
Oven Glass Window	"O" Shaped Metal + Glass
Door Cooling System	Cool Door -4 Pane Heat Resistant Glass(fixed)
Net Capacity cu. ft.	5.7 cu. ft.
Bottom Heating Element Wattage	-
Upper Heating Element Wattage	-
Convection Element Wattage	-
Low Grill (Broil)	-
Grill (Broil)	-
ACCESSORIES / OVEN CAVITY	
Rack Positions	Stay in self clean – 6 levels
Telescopic Pull-out Shelf System	1 Level (Full Extension)
Pyrolytic Self Cleaning	Yes
Sabbath Mode	Yes
Broiler Pan	1
Wok adapter	Yes
Chromed racks	3
COOKTOP	
Zone Configuration	5 Gas
Front Left	12,500 BTU
Rear Left	4,000 BTU
Front Right	20,000 BTU
Rear Right	8,000 BTU
Central	10,000 BTU
Pan Support Type	Continuous cast iron
Pan Support Quantity	3
Gas Safety Device for hob	Re-ignition
Gas Safety Device for oven	Hot-wire
DIMENSIONS/WEIGHT	
Required cutout dim (H x W x D) (in)	36" x 30" x 25 1/2"
Overall dim - height	37 1/2"
Overall dim - width	29 13/16"
Overall dim - depth	29 5/16"
Weight (lb./kg)	270 lbs./122.5 kg
POWER / RATINGS	
KW/Amps rating at 240V, 60Hz	110-120 V 60 Hz
Supply Cord & Plug	USA-Canada
Cable	Yes
INSTRUCTIONS FOR USE	
Use & Care Manual	EN, SP, FR
Installation Manual	EN, SP, FR

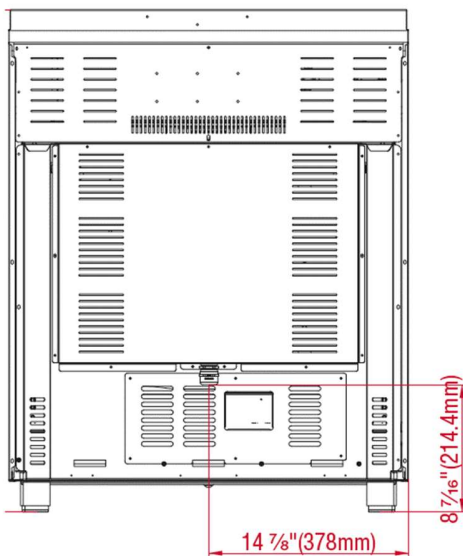
30 INCH PRO-STYLE GAS RANGE

BGRP34520SS / BGRP34520CSS

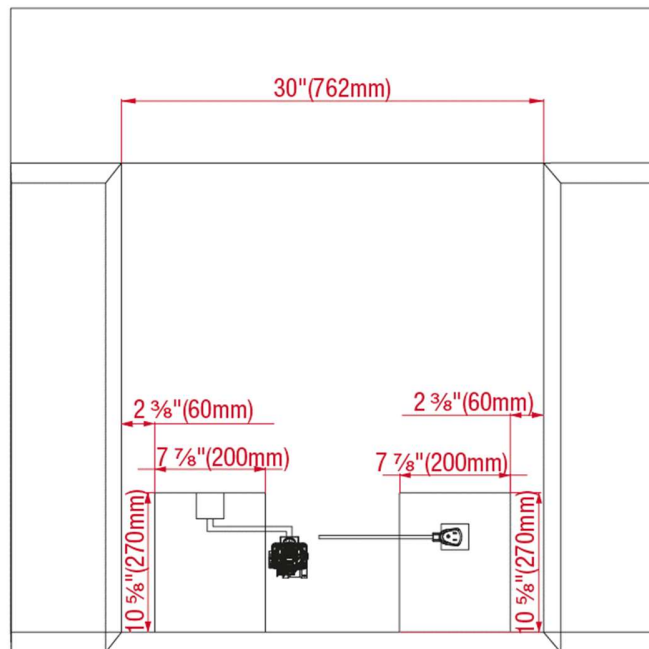
Dimensions and Installation



Electrical



Cabinet



NOTE TO THE INSTALLER: All height, width and depth dimensions are shown in inches (as well as metric). Beko US Inc. reserves the absolute and unrestricted right to change product materials and specifications, at any time, without notice. Please visit our website www.blombergappliances.us or call 888 352 2356 to verify the latest specifications with final dimensional data and other details prior to installation and making a cutout. Applicable product limited warranty information may be found in accompanying product materials or you may contact your account manager for further details. Proper installation is the responsibility of the installer. Product failure due to improper installation is not covered under the Limited Warranty.