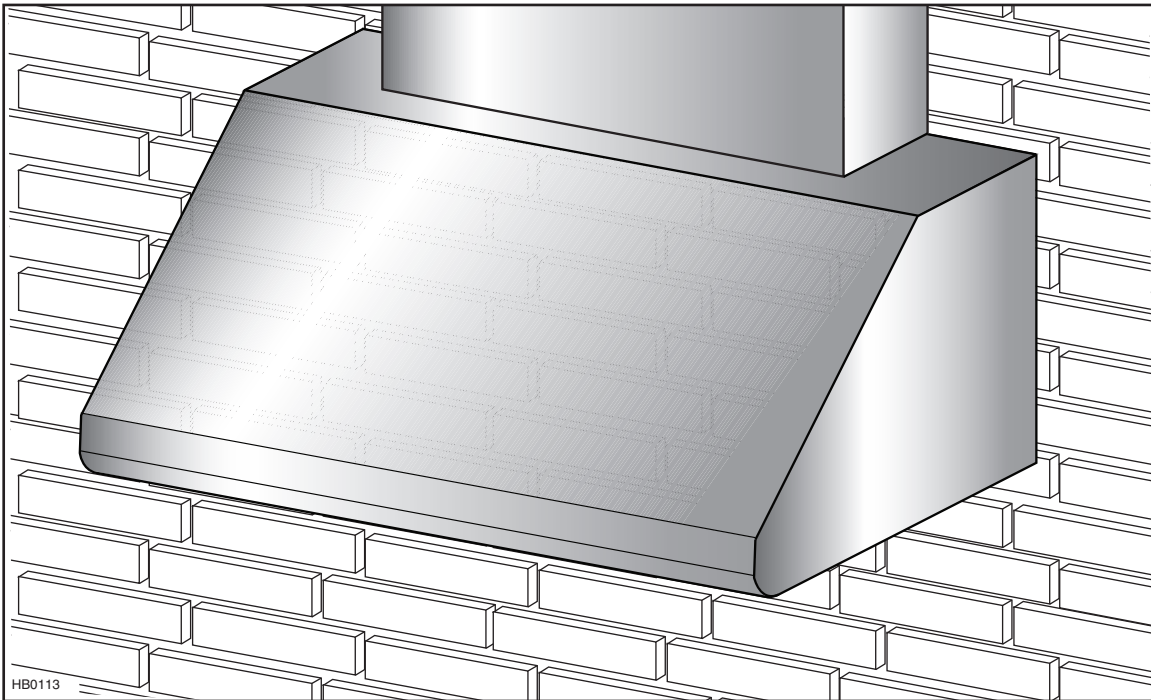


# best®



## WPD39M SERIES

⚠ INTENDED FOR DOMESTIC COOKING ONLY ⚠

**READ AND SAVE THESE INSTRUCTIONS**

INSTALLER: LEAVE THIS MANUAL WITH HOMEOWNER.  
HOMEOWNER: USE AND CARE INFORMATION ON PAGES 9 AND 10.

BEST; Hartford, Wisconsin [www.BestRangeHoods.com](http://www.BestRangeHoods.com) 800 558-1711  
BEST; Drummondville, QC, Canada [www.BestRangeHoods.com](http://www.BestRangeHoods.com) 866 737-7770



7 72371 12001 3

To register your product online or for additional information visit [www.BestRangeHoods.com](http://www.BestRangeHoods.com)

## **⚠️ WARNING**

---

### **TO REDUCE THE RISK OF FIRE, ELECTRIC SHOCK OR INJURY TO PERSONS, OBSERVE THE FOLLOWING:**

1. Use this unit only in the manner intended by the manufacturer. If you have questions, contact the manufacturer at the address or telephone number listed in the warranty.
2. Before servicing or cleaning unit, switch power off at service panel and lock service disconnecting means to prevent power from being switched on accidentally. When the service disconnecting means cannot be locked, securely fasten a prominent warning device, such as a tag, to the service panel.
3. Installation work and electrical wiring must be done by qualified personnel in accordance with all applicable codes and standards, including fire-rated construction codes and standards.
4. Sufficient air is needed for proper combustion and exhausting of gases through the flue (chimney) of fuel burning equipment to prevent backdrafting. Follow the heating equipment manufacturer's guidelines and safety standards such as those published by the National Fire Protection Association (NFPA) and the American Society for Heating, Refrigeration and Air Conditioning Engineers (ASHRAE) and the local code authorities.
5. When cutting or drilling into wall or ceiling, do not damage electrical wiring and other hidden utilities.
6. Ducted fans must always be vented to the outdoors.
7. Do not use this unit with any additional solid-state speed control device.
8. To reduce the risk of fire, use only metal ductwork.
9. This unit must be grounded and protected by a GFCI.
10. Suitable for use in damp locations only when installed in a GFCI PROTECTED branch-circuit.
11. This unit is not designed to be used with a charcoal grill.
12. When applicable local regulations comprise more restrictive installation and/or certification requirements, the aforementioned requirements prevail on those of this document and the installer agrees to conform to these at his own expense.

### **TO REDUCE THE RISK OF A RANGE TOP GREASE FIRE:**

- a) Never leave surface units unattended at high settings. Boilovers cause smoking and greasy spillovers that may ignite. Heat oils slowly on low or medium settings.
- b) Always turn hood ON when cooking at high heat or when flambeing food (i.e.: Crêpes Suzette, Cherries Jubilee, Peppercorn Beef Flambé).
- c) Clean ventilating fans frequently. Grease should not be allowed to accumulate on fan, filters or in exhaust ducts.
- d) Use proper pan size. Always use cookware appropriate for the size of the surface element.

## **⚠️ WARNING**

---

### **TO REDUCE THE RISK OF INJURY TO PERSONS IN THE EVENT OF A RANGE TOP GREASE FIRE, OBSERVE THE FOLLOWING\*:**

1. SMOTHER FLAMES with a close-fitting lid, cookie sheet or metal tray, then turn off the burner. BE CAREFUL TO PREVENT BURNS. IF THE FLAMES DO NOT GO OUT IMMEDIATELY, EVACUATE AND CALL THE FIRE DEPARTMENT.
2. NEVER PICK UP A FLAMING PAN — You may be burned.
3. DO NOT USE WATER, including wet dishcloths or towels — This could cause a violent steam explosion.
4. Use an extinguisher ONLY if:
  - A. You own a Class ABC extinguisher and you know how to operate it.
  - B. The fire is small and contained in the area where it started.
  - C. The fire department has been called.
  - D. You can fight the fire with your back to an exit.

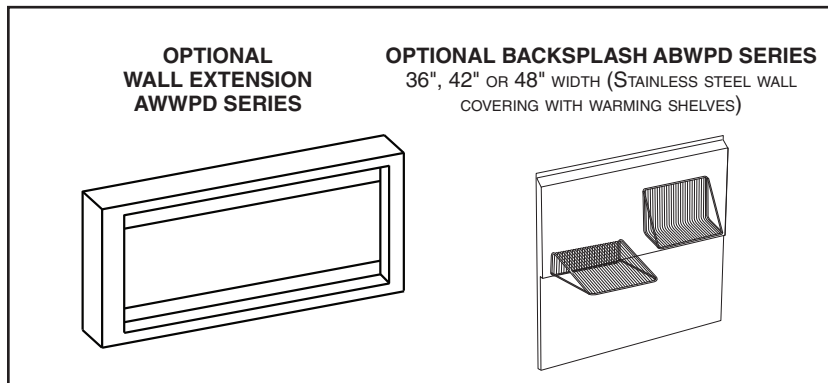
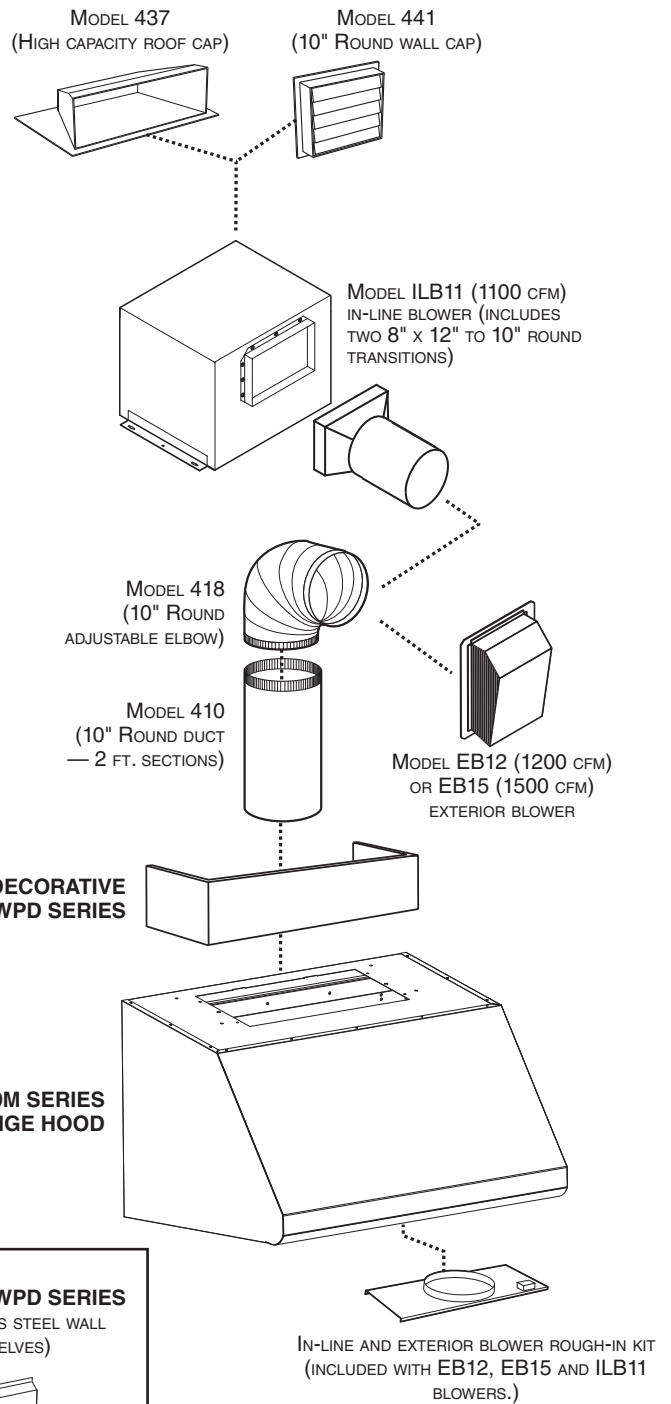
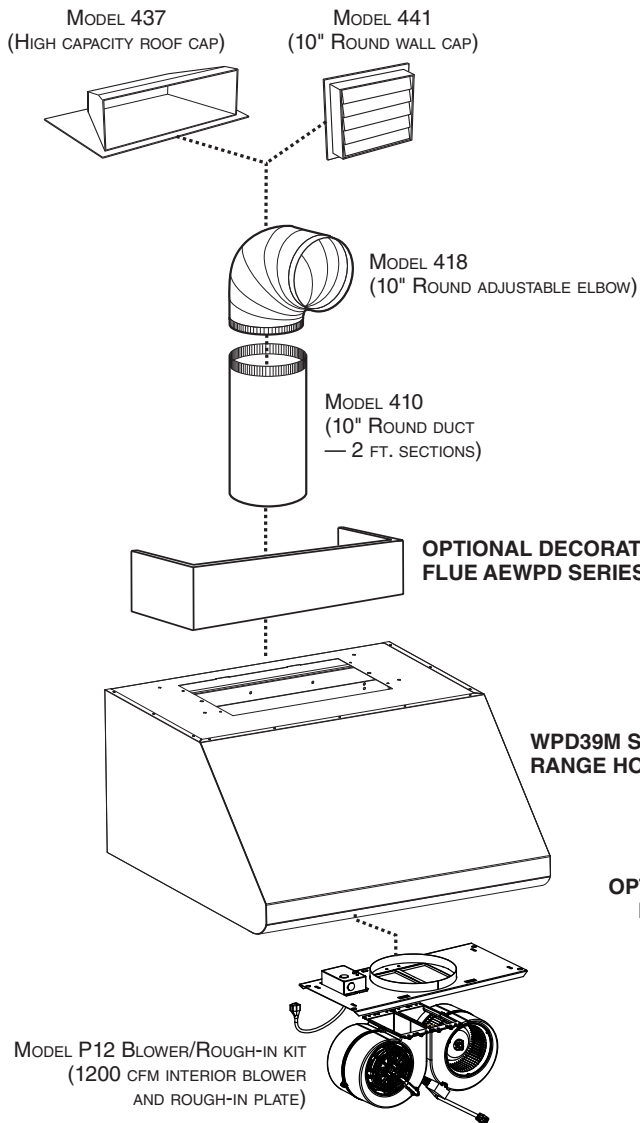
\* Based on "Kitchen Fire Safety Tips" published by NFPA.

## **CAUTION**

---

1. For general ventilating use only. Do not use to exhaust hazardous or explosive materials and vapors.
2. To avoid motor bearing damage and noisy and/or unbalanced impellers, keep drywall spray, construction dust, etc. off power unit.
3. Your hood motor has a thermal overload which will automatically shut off the motor if it becomes overheated. The motor will restart when it cools down. If the motor continues to shut off and restart, have the hood serviced.
4. For best capture of cooking impurities, the bottom of the hood must be located at a distance of 36" above cooking surface.
5. Two installers are recommended because of the large size and weight of this unit.
6. To reduce the risk of fire and to properly exhaust air, be sure to duct air outside — Do not exhaust air into spaces within walls or ceiling or into attics, crawl space or garage.
7. This product is equipped with a thermostat which may start blower automatically. To reduce the risk of injury and to prevent power from being switched on accidentally, switch power off at service panel and lock or tag service panel.
8. To reduce the risk of fire and electrical shock, the Best WPD39M Series hood must be installed with Best interior blower model P12; Best exterior blower models EB12 or EB15; Best in-line blower model ILB11. Other blowers cannot be substituted. (Blowers sold separately.)
9. Please read specification label on product for further information and requirements.

# - WPD39M SERIES RANGE HOOD SYSTEM -



# 1. SELECT BLOWER OPTION, INSTALL DUCTWORK AND ELECTRICAL WIRING

## CAUTION

This range hood is intended for outdoor covered patio or lanai area. As with all electric appliances, this unit must be protected from the effects of weather.

## ⚠ WARNING

This range hood is not designed for use with a charcoal grill.

Either an interior or exterior blower or in-line blower may be used with this range hood. It must be installed with blower models P12, ILB11, EB12 or EB15 only. Other blowers cannot be substituted. (Blowers sold separately).

Plan where and how the ductwork will be installed.

A straight, short duct run will allow the hood to perform most efficiently.

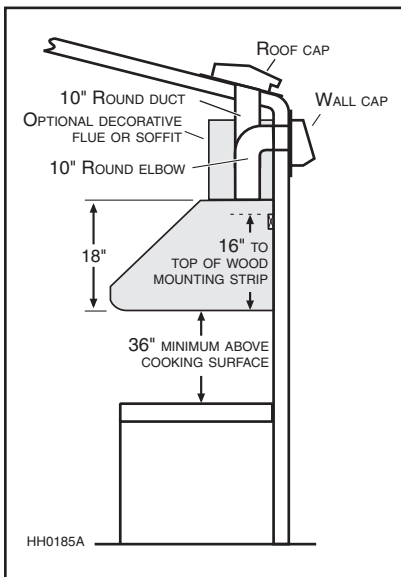
Install proper-sized ductwork, elbows and roof or wall cap for the type of blower you are installing. Connect metal ductwork to cap and work back towards the hood location. Use 2" metal foil duct tape to seal the joints.

Run 3-wire power supply cable to installation location.

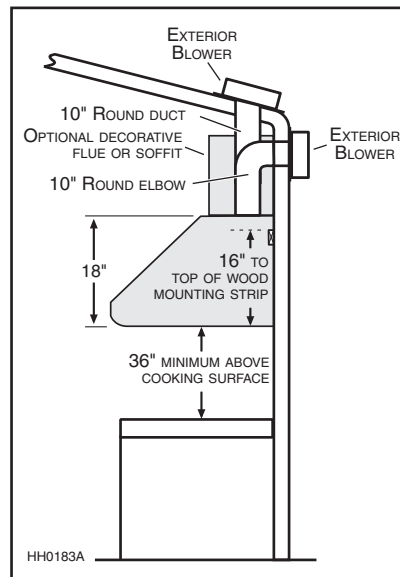
## ⚠ WARNING

The power cable must be a GFCI protected branch circuit.

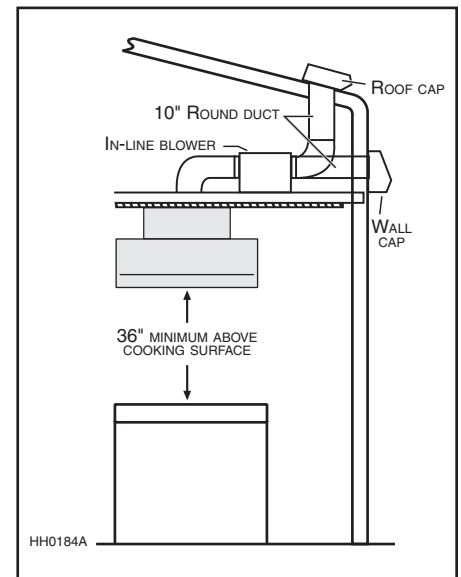
For best capture of cooking impurities, the bottom of the hood must be located at a distance of 36" above cooking surface.



**MODEL P12 DUAL INTERIOR BLOWER**  
TYPICAL DUCTWORK



**MODEL EB12 OR EB15 EXTERIOR BLOWER**  
TYPICAL DUCTWORK



**MODEL ILB11 IN-LINE BLOWER**  
TYPICAL DUCTWORK

## 2. PREPARE INSTALLATION

### ⚠ WARNING

**When performing installation, servicing or cleaning the unit, it is recommended to wear safety glasses and gloves.**

NOTE: Before proceeding to the installation, check the contents of the box. If items are missing or damaged, contact the manufacturer.

Make sure that the following items are included:

- Range hood
  - Wood strip (attached to back of hood)
  - Installation manual
  - Accessories:
    - 4 Baffle filters with handles
    - Grease tray with handle
    - Shielded halogen bulbs (120 V, 50 W max., MR16 with GU10 base) (2 for 36" and 42" width hoods, 3 for 48" and 60" width hoods)
    - Bag of parts: 3 waterproof wire connectors, 2 no. 8 x 5/8" screws, 6 no. 10 x 2" hex head screws, 4 no. 10 x 2" flat head screws, 2 wall anchors, 6 washers 3/16" ID x 3/4" OD, 4 stainless steel 10-32 locknuts
- Included in parts bag, but not to be used (please discard):  
2 wire clamps LP16-AP, 2 no. 8 x 3/8" zinc-plated screws, 8 no. 8 x 3/8" stainless steel screws

Parts sold separately:

- Interior blower assembly model P12
- In-line blower assembly model ILB11
- Exterior blower assembly model EB12 or EB15
- ABWPD Series Backsplash, 36", 42" or 48" width (optional)
- AEWPD Series Decorative flue, to be installed over the hood (optional)
- AWWPD Series Wall extension, 36", 42", 48" or 60" width (optional)
- Transitions, duct, elbows, dampers, wall and roof caps

Refer to page 4 for a complete list of venting options and model numbers.

NOTE: During installation, protect countertop and/or cooktop.

## 3. INSTALL BACKSPLASH (OPTIONAL)

**ABWPD Series (for 36", 42" and 48" widths range hoods only)**

Backsplash must be installed before the hood shell and wall extension (if needed) because the hood shell (and wall extension) covers the backsplash top mounting screws (see instructions packed with backsplash).

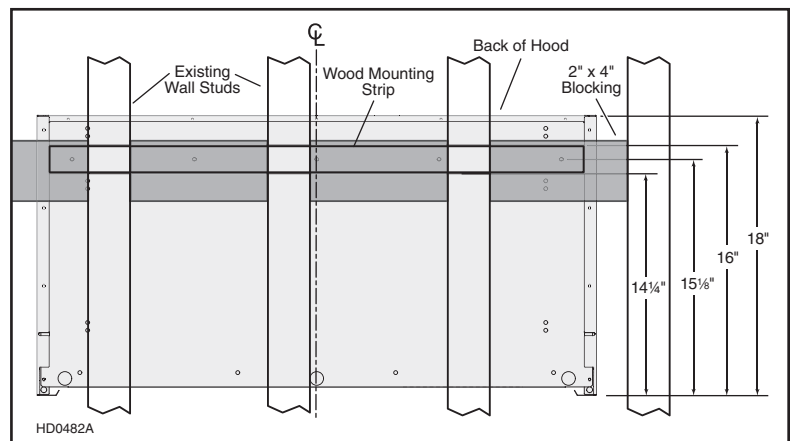
## 4. INSTALL WOOD MOUNTING STRIP

### CAUTION

**Due to the weight of this hood, ensure that the wood strip is attached to all of the available wall studs and blocking; not into the wall alone.**

1. Proper structural support is required to accommodate the weight of the hood. Construct the wall framing using minimum 2" x 4" lumbers.

2. Mark the center location of the hood.
3. Measure and mark a level line on wall above cooktop location for the wood mounting strip. Install 2" x 4" blockings between wall studs where mounting strip will be installed. Refer to illustration at right.
4. Remove wood mounting strip from back of hood.
5. Position the wood mounting strip on the wall and secure to the wall studs and blockings using 4 no. 10 x 2" flat head screws (included in parts bag).



## 5. INSTALL WALL EXTENSION (OPTIONAL)

### AWWPD Series

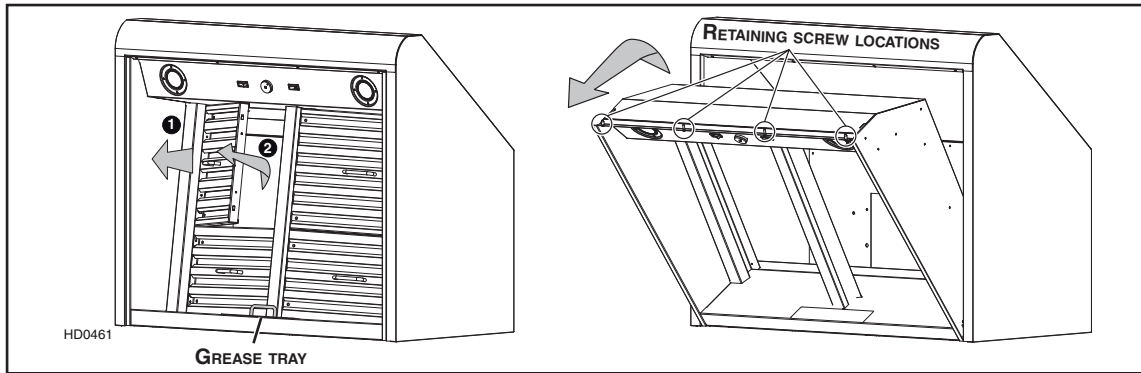
Wall extension must be installed before the hood (see instructions packed with wall extension).

## 6. REMOVE Baffle FILTERS, GREASE TRAY AND PANEL ASSEMBLY

Remove tape on filters. Remove filters from hood (as illustrated below) and set aside.

Remove tape on grease tray. Lift and pull grease tray to remove and set aside.

Remove panel assembly retaining screws (4, 5 or 6 depending on hood width) and set aside. Tilt panel assembly forward.



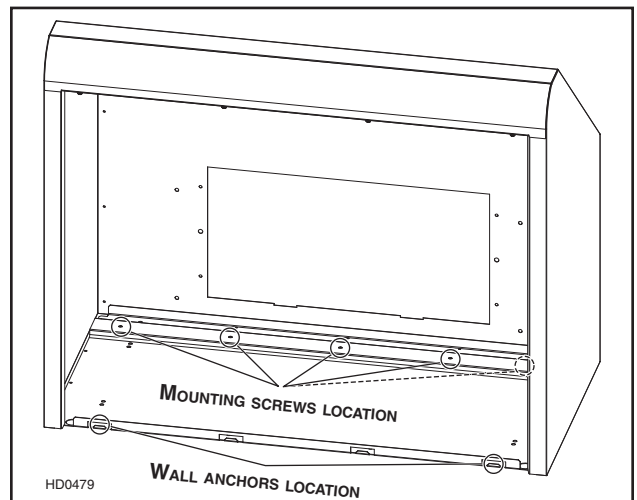
## 7. INSTALL HOOD

### ⚠ WARNING

Hold the hood until it is completely secured to the wood mounting strip.

Rest the back cavity of the hood on the wood mounting strip.

Secure the hood to the wood mounting strip using 5 no. 10 x 2" hex head screws at locations shown at right. Drill two 3/16" diameter holes into the wall for wall anchors through the existing holes in the lower back of the hood at locations shown at right. Then, install both wall anchors with both no. 8 x 5/8" screws and washers provided.



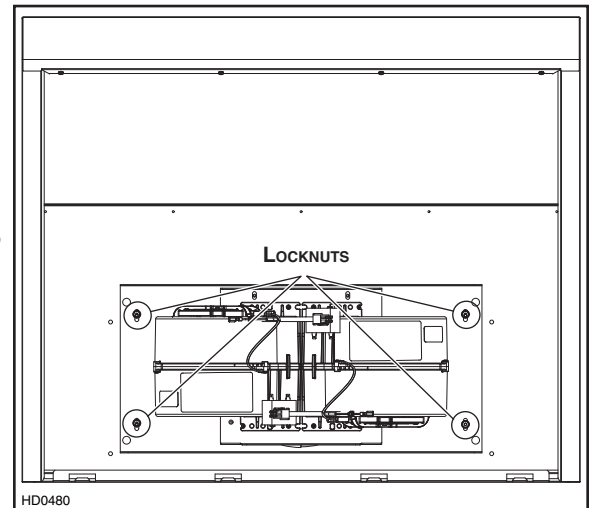
## 8. INSTALL ROUGH-IN PLATE

### CAUTION

Install rough-in plate using 4 x 10-32 locknuts and washers included in hood parts bag. Discard nuts provided with rough-in plate.

Refer to the instructions included with the selected blower/rough-in kit (sold separately) for details on installing the rough-in plate. Install the rough-in plate so that the wiring box is located on the right side as you are facing the hood.

Attach 10" round duct to rough-in plate.



## 9. CONNECT WIRING

### ⚠ WARNING

Risk of electric shock. Electrical wiring must be done by qualified personnel in accordance with all applicable codes and standards. Before connecting wires, switch power off at service panel and lock service disconnecting means to prevent power to be switched on accidentally.

Remove wiring cover from rough-in plate and set aside.

Connect BLACK to BLACK, WHITE to WHITE and GREEN or bare wire under GREEN ground screw.

Reinstall wiring cover.

#### WATERPROOF WIRE CONNECTORS INSTRUCTIONS:

1. Strip wires 3/8".
2. Align frayed strands or conductors.
3. Do not pre-twist. Place stripped wires together with ends even, but lead smaller stranded wires slightly ahead of larger solid or stranded wire.
4. Twist connector onto wires pushing firmly until hand-tight. DO NOT over torque.
5. When inserting wires into connectors, some sealant may leak out. Wipe off excess sealant in and around conductors. DO NOT REUSE.

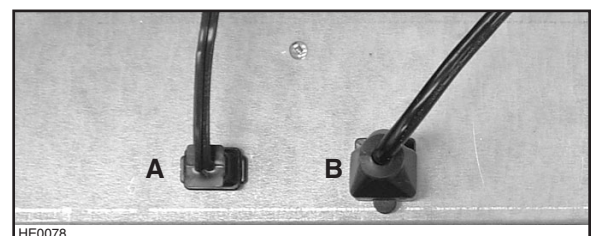
## 10. INSTALL BLOWER

Refer to instructions included with blower.

Once the blower is installed, plug the blower cord (A) into the female receptacle and the power supply cord (B) onto the male connector inside the hood.

### ⚠ WARNING

Do not plug the two cords into each other.



## 11. INSTALL DECORATIVE FLUE COVER (OPTIONAL)

### AEWPD Series

Refer to the instructions included with the optional decorative flue.

## 12. REINSTALL PANEL ASSEMBLY, GREASE TRAY AND BAFFLE FILTERS

### CAUTION

Remove protective plastic film covering filters before installing them.

1. Push panel assembly back inside hood and secure to the hood using previously removed screws (see step 5).
2. Reinstall grease tray.
3. Insert one side of the filter into the side channel of the hood. Raise the other side toward the center of the hood and insert in the grease drip rail.

## 13. LIGHT BULBS REPLACEMENT

This hood requires 120 V, 50 W, MR16 with GU10 base, shielded halogen bulbs (included). (2 for 36" and 42" width hood, 3 for 48" and 60" width hoods.)

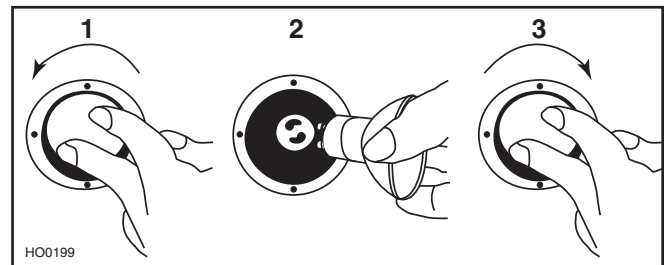
### ⚠ WARNING

Do not touch lamps during or soon after operation. Burns may occur. In order to prevent the risk of personal injury, only install shielded halogen lamps. Also, never install a cool beam, a dichroic lamp, a lamp not suitable for use in recessed luminaires or identified for use in enclosed fixtures.

1. To remove bulbs, gently push upwards and turn counterclockwise to disengage bulb leads from their grooves.

NOTE: To ease removal of the bulbs, use a rubber dishwashing glove or use suction cup tool available from Best. Contact Best Customer Service at 1-800-558-1711 to order suction cup tool, part no. 99526707.

2. Install the new bulbs by placing the bulb leads into their grooves in the socket.
3. Gently push upwards and turn clockwise until secure.



## 14. CARE

### Baffle Filters

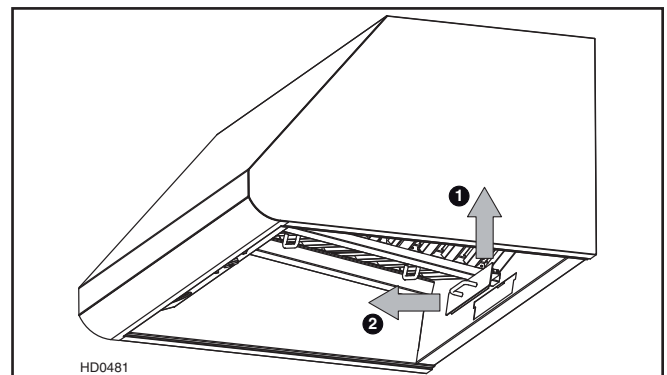
The baffle filters should be cleaned frequently. Use a warm detergent solution. Wash more often if your cooking style generates greater grease like frying foods or wok cooking.

Remove baffle filters by pushing them towards the side of the hood and rotating filters downward. Baffle filters are dishwasher safe. Allow filters to dry completely before reinstalling them in the hood.

Clean all-metal filters in the dishwasher using a non-phosphate detergent. Discoloration of the filter may occur if using phosphate detergent or as a result of local water conditions—but this will not affect filter performance. This discoloration is not covered by the warranty.

### Grease Tray

The grease tray should be emptied and cleaned frequently. Remove from hood (as illustrated at right) and use a warm detergent solution. Wash more often if your cooking style generates greater grease like frying foods or wok cooking. Allow grease tray to dry completely before reinstalling it in the hood.





## 14. CARE (CONT'D)

### Grease Drip Rail

The grease drip rail should be cleaned frequently. Wash with clean cloth soaked in warm detergent solution. Wash more often if your cooking style generates greater grease like frying foods or wok cooking.

### Blower Cleaning

Access the blower and use vacuum to clean. Do not immerse in water.

### Hood cleaning

Stainless steel cleaning:

Do:	Don't:
<ul style="list-style-type: none"><li>Regularly wash with clean cloth or rag soaked with warm water and mild soap or liquid dish detergent.</li><li>Always clean in the direction of original polish lines.</li><li>Always rinse well with clear water (2 or 3 times) after cleaning. Wipe dry completely.</li><li>You may also use a specialized household stainless steel cleaner.</li></ul>	<ul style="list-style-type: none"><li>Use any steel or stainless steel wool or any other scrapers to remove stubborn dirt.</li><li>Use any harsh or abrasive cleansers.</li><li>Allow dirt to accumulate.</li><li>Let plaster dust or any other construction residues reach the hood. During construction/renovation, cover the hood to make sure no dust sticks to stainless steel surface.</li></ul>

### Avoid when choosing a detergent:

- Any cleaners that contain **bleach** will attack stainless steel.
- Any products containing: **chloride, fluoride, iodide, bromide** will deteriorate surfaces rapidly.
- Any combustible products used for cleaning such as **acetone, alcohol, ether, benzol**, etc., are highly explosive and should never be used close to a range.

## 15. OPERATION

### BLOWER

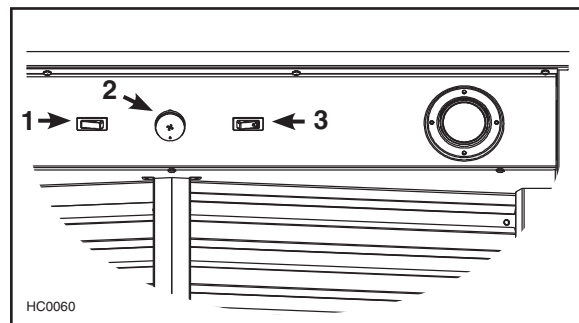
The blower is operated using two controls.

Use the on/off rocker switch (1) to start and stop the blower. When turned ON, the switch turns red and the blower operates at the speed set by the speed control knob (2).

Turn the speed control knob clockwise to increase blower speed – counterclockwise to decrease speed.

### COOKTOP LIGHTING (HALOGEN)

Use the on/off rocker switch (3) to turn the halogen lights ON or OFF.



- 1) ON/OFF blower switch
- 2) Blower speed control knob
- 3) Halogen light switch

### HEAT SENTRY™

This hood is equipped with a Heat Sentry™ thermostat. This thermostat is a device that will turn on the blower to high speed if it senses excessive heat above the cooking surface.

- 1) If blower is OFF - it turns blower ON to high speed.
- 2) If blower is already ON it sets blower on high speed.

### ⚠ WARNING

**The HEAT SENTRY can start the blower during a range top fire or other excessive heat situations even if the hood is turned off. In this case, it is impossible to turn the blower OFF using control panel switch. To stop the blower, do it from the main electrical panel.**

When the temperature level drops to normal, the blower will return to its original setting.

## 16. WARRANTY

### FIVE-YEAR LIMITED WARRANTY FOR BEST® PRODUCTS

**Warranty Period and Exclusions:** Broan-NuTone, LLC (the “Company”) warrants to the consumer purchaser of its product (“you”) that the product (the “Product”) will be free from material defects in the materials or its workmanship for a period of five (5) years from the date of original purchase (or such longer period as may be required by applicable law) or a period of two (2) years from the date of service for any labor provided on the Product.

The limited warranty period for any replacement parts provided by the Company and for any Products repaired or replaced under this limited warranty shall be the remainder of the original warranty period (or such longer period as may be required by applicable law).

**THIS WARRANTY DOES NOT EXTEND TO FLUORESCENT LAMP STARTERS, TUBES AND BULBS, FUSES, FILTERS, DUCTS, ROOF CAPS, WALL CAPS AND OTHER ACCESSORIES FOR DUCTING.** This warranty does not cover (a) normal maintenance and service, (b) normal wear and tear, (c) any Products or parts which have been subject to misuse, abuse, abnormal usage, negligence, accident, improper or insufficient maintenance, storage or repair (other than repair by the Company), (d) damage caused by faulty installation, or installation or use contrary to recommendations or instructions, (f) damage caused by exposure to salt air, (g) damage in transit, (h) natural wear of finish, (i) Products in commercial or nonresidential use, (j) damage caused by fire, flood or other act of God, or (k) Products with altered, defaced or removed serial numbers. This warranty covers only Products sold to consumers in North America. This warranty supersedes all prior warranties and, subject to applicable law, is not transferable from the original consumer purchaser.

**No Other Warranties:** This Limited Warranty contains the Company’s sole obligation and your sole remedy for defective Products. The foregoing warranties are exclusive and in lieu of any other warranties and conditions, express or implied. **TO THE MAXIMUM EXTENT PERMITTED BY APPLICABLE LAW, THE COMPANY DISCLAIMS AND EXCLUDES ALL OTHER EXPRESS WARRANTIES AND CONDITIONS, AND DISCLAIMS AND EXCLUDES ALL WARRANTIES AND CONDITIONS IMPLIED BY LAW, INCLUDING WITHOUT LIMITATION THOSE OF MERCHANTABILITY AND FITNESS FOR A PARTICULAR PURPOSE.** To the extent that applicable law prohibits the exclusion of implied warranties or conditions, the duration of any applicable implied warranty or condition is limited to the period specified for the express warranty above. Some jurisdictions (which may include the Province of Quebec or specific US states) do not allow limitations on how long an implied warranty lasts, so the above limitation may not apply to you. Any oral or written description of the Product is for the sole purpose of identifying it and shall not be construed as an express warranty.

Whenever possible, each provision of this Limited Warranty shall be interpreted in such manner as to be effective and valid under applicable law, but if any provision is held to be prohibited or invalid, such provision shall be ineffective only to the extent of such prohibition or invalidity, without invalidating the remainder of such provision or the other remaining provisions of the Limited Warranty.

**Remedy:** During the applicable limited warranty period, the Company will, at its option, provide replacement parts for, or repair or replace, without charge, any Product or part thereof, to the extent the Company finds it to be covered by and in breach of this limited warranty under normal use and service. The Company will ship the repaired or replaced Product or replacement parts to you at no charge. You are responsible for all costs for removal, reinstallation and shipping, insurance or other freight charges incurred in the shipment of the Product or part to the Company. If you must send the Product or part to the Company, as instructed by the Company, you must properly pack the Product or part—the Company is not responsible for damage in transit. The Company reserves the right to utilize reconditioned, refurbished, repaired or remanufactured Products or parts in the warranty repair or replacement process. Such Products and parts will be comparable in function and performance to an original Product or part and warranted for the remainder of the original warranty period (or such longer period as may be required by applicable law).

Company reserves the right, in its sole discretion, to refund the money actually paid by you for the Product. If the Product or component is no longer available, replacement may be made with a similar product of equal or greater value, at Company’s sole discretion. This is your sole and exclusive remedy for breach of this limited warranty.

**Exclusion of Damages: THE COMPANY’S OBLIGATION TO PROVIDE REPLACEMENT PARTS, OR REPAIR OR REPLACE, AT THE COMPANY’S OPTION, SHALL BE YOUR SOLE AND EXCLUSIVE REMEDY UNDER THIS LIMITED WARRANTY AND THE COMPANY’S SOLE AND EXCLUSIVE OBLIGATION. THE COMPANY SHALL NOT BE LIABLE FOR INCIDENTAL, INDIRECT, CONSEQUENTIAL OR SPECIAL DAMAGES ARISING OUT OF OR IN CONNECTION WITH THE PRODUCT, ITS USE OR PERFORMANCE.**

Some jurisdictions do not allow the exclusion or limitation of incidental or consequential damages, so the above limitation or exclusion may not apply to you. This warranty gives you specific legal rights, and you may also have other rights, which vary from jurisdiction to jurisdiction. The disclaimers, exclusions, and limitations of liability under this warranty will not apply to the extent prohibited by applicable law.

This warranty covers only replacement or repair of defective Products or parts thereof at the Company’s main facility and does not include the cost of field service travel and living expenses.

Any assistance the Company provides to or procures for you outside the terms, limitations or exclusions of this limited warranty will not constitute a waiver of such terms, limitations or exclusions, nor will such assistance extend or revive the warranty. The Company will not reimburse you for any expenses incurred by you in repairing or replacing any defective Product, except for those incurred with the Company’s prior written permission.

**How to Obtain Warranty Service:** To qualify for warranty service, you must (a) notify the Company at the address or telephone number stated below within seven (7) days of discovering the covered defect, (b) give the model number and part identification and (c) describe the nature of any defect in the Product or part. At the time of requesting warranty service, you must present evidence of the original purchase date. If you cannot provide a copy of the original written limited warranty, then the terms of the Company’s most current written limited warranty for your particular product will control.

#### PRODUCT SPECIFICATIONS

All illustrations and specifications in this catalog are based on the latest product information available at time of production. Broan-NuTone, LLC and BEST® reserves the right to make changes at any time, without notice, in prices, colors, materials, equipment, specifications and models, place of manufacture and to discontinue models or equipment.

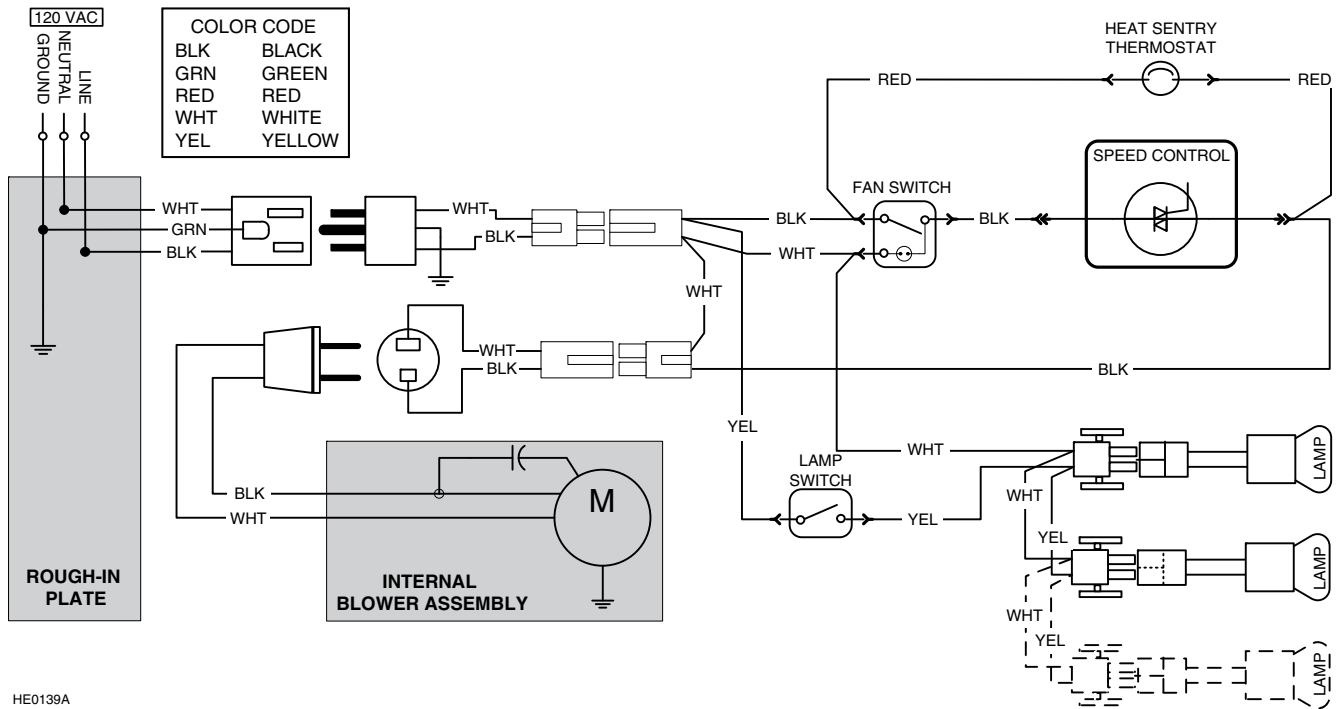
Best

Broan-NuTone, LLC- 926 W. State Street, Hartford, WI 53207 1-800-637-1453

Best®, 550 Lemire Blvd., Drummondville, QC, Canada (1-866-737-7770) [www.bestrangehoods.com](http://www.bestrangehoods.com)

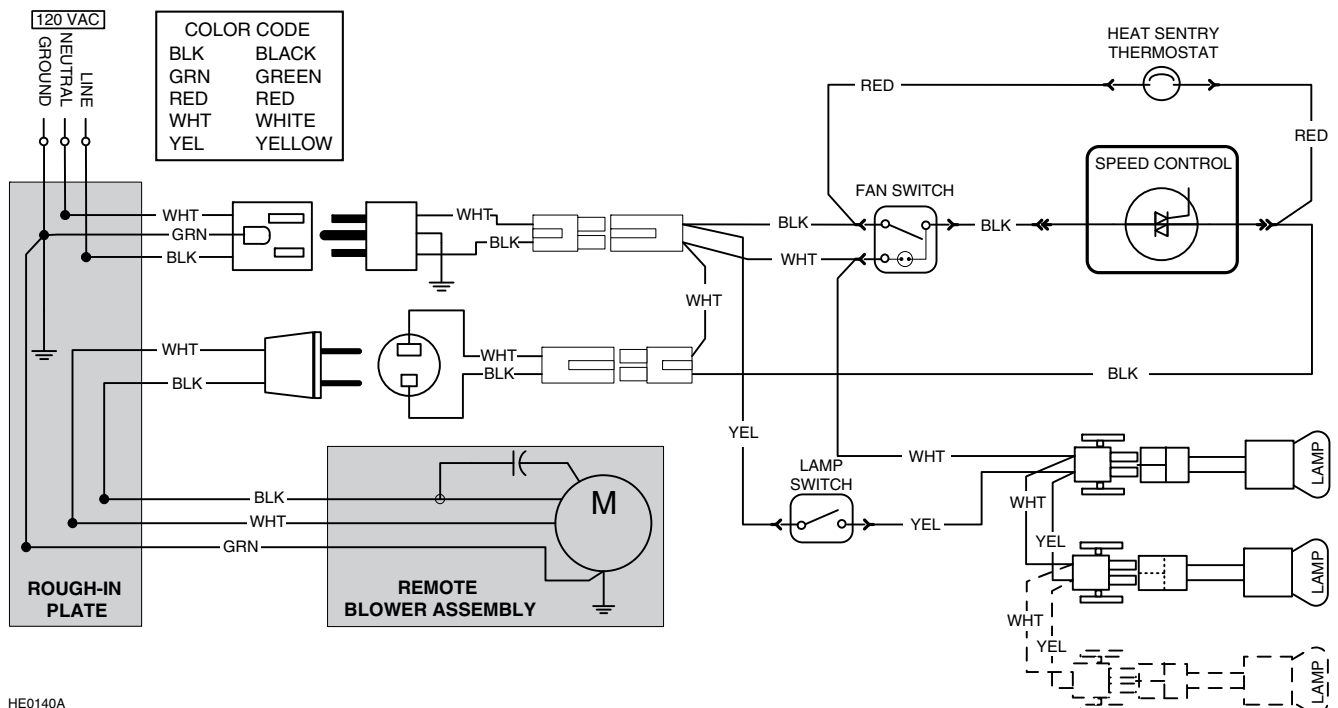
# 17. WIRING DIAGRAMS

## Internal blower assembly



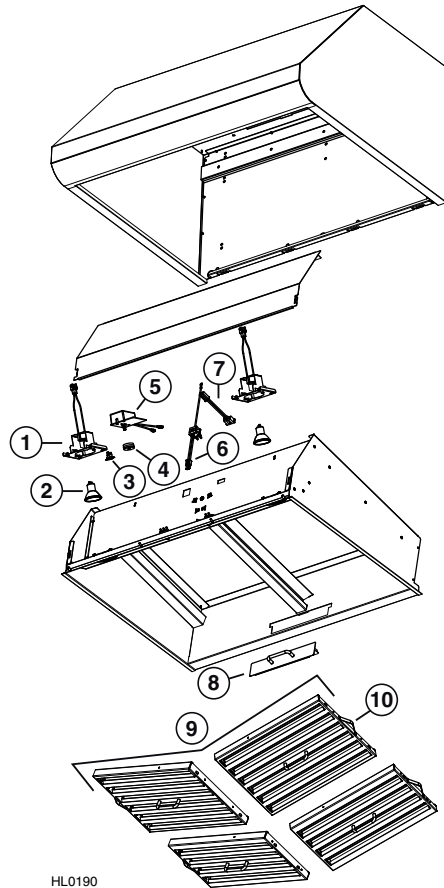
HE0139A

## Remote blower assembly



HE0140A

# 18. SERVICE PARTS



HL0190

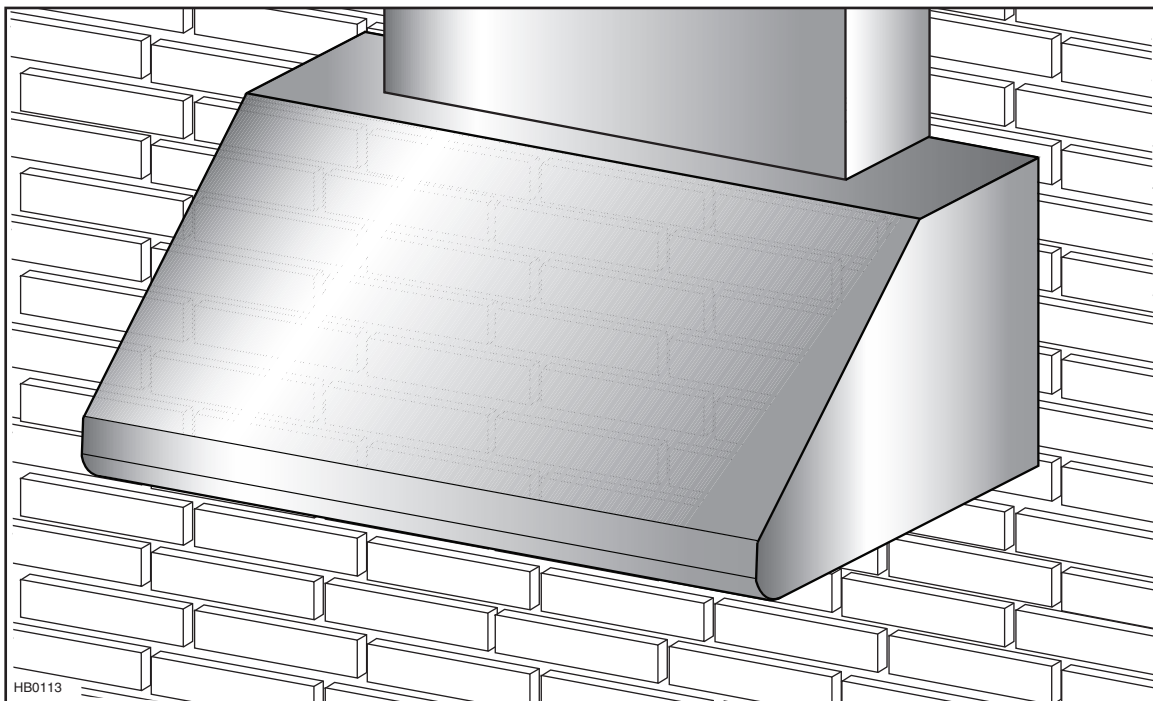
KEY NO.	PART NO.	DESCRIPTION	QTY. (RANGE HOOD WIDTH)			
			36"	42"	48"	60"
1	SV60887	LIGHT SOCKET HOLDER ASSEMBLY	2	2	3	3
2	SV05921	SHIELDED HALOGEN BULB (120 V, 50 W, GU10 BASE)	2	2	3	3
3	SV03435	HEAT SENTRY™ THERMOSTAT	1	1	1	1
4	SV08549	FAN KNOB	1	1	1	1
5	SV03501	SPEED CONTROL	1	1	1	1
6	SV13924	MALE CONNECTOR	1	1	1	1
7	SV13923	FEMALE CONNECTOR	1	1	1	1
8	SV60879	GREASE TRAY	1	1	1	1
9	SV60675	BAFFLE FILTER 11.84" x 15.125" (HANDLE INCLUDED)	2	2	2	2
	SV60716	BAFFLE FILTER 8.84" x 15.125" (HANDLE INCLUDED)	2	2	2	2
10	SV08337	FILTER SPRING	4	4	4	4
*	SV02563	LIGHT ROCKER SWITCH	1	1	1	1
*	SV03503	BLOWER ROCKER SWITCH	1	1	1	1
*	SV05869	BEST LOGO	1	1	1	1
*	SV20611	INSTALLATION GUIDE	1	1	1	1
*	SV04216	PARTS BAG: 3 WATERPROOF WIRE CONNECTORS, 2 NO. 8 x 5/8" SCREWS, 6 NO. 10 x 2" HEX HEAD SCREWS, 4 NO. 10 x 2" FLAT HEAD SCREWS, 2 WALL ANCHORS, 6 WASHERS 3/16" ID x 3/4" OD, 4 STAINLESS STEEL 10-32 LOCKNUTS, 2 WIRE CLAMPS LP16-AP, 2 NO. 8 x 3/8" ZINC-PLATED SCREWS, 8 NO. 8 x 3/8" STAINLESS STEEL SCREWS	1	1	1	1

\* NOT SHOWN.

### REPLACEMENT PARTS AND REPAIRS

In order to ensure your unit remains in good working condition, you must use Broan-NuTone genuine replacement parts only. Broan-NuTone genuine replacement parts are specially designed for each unit and are manufactured to comply with all the applicable certification standards and maintain a high standard of safety. Any third party replacement part used may cause serious damage and drastically reduce the performance level of your unit, which will result in premature failing. Broan-NuTone recommends to contact a certified service depot for all replacement parts and repairs.

# best®



## SÉRIE WPD39M

⚠ CONÇUE POUR USAGE DOMESTIQUE SEULEMENT ⚠

**LIRE ET CONSERVER CES DIRECTIVES**

INSTALLATEUR : LAISSER CE GUIDE AU PROPRIÉTAIRE.  
PROPRIÉTAIRE : DIRECTIVES D'UTILISATION ET D'ENTRETIEN  
EN PAGES 21 ET 22.

BEST; Hartford, Wisconsin [www.BestRangeHoods.com](http://www.BestRangeHoods.com) 800 558-1711  
BEST; Drummondville, QC, Canada [www.BestRangeHoods.com](http://www.BestRangeHoods.com) 866 737-7770

Pour enregistrer votre produit en ligne ou pour obtenir plus d'information, consultez notre site [www.BestRangeHoods.com](http://www.BestRangeHoods.com)

## **⚠️ AVERTISSEMENT**

### **AFIN DE RÉDUIRE LES RISQUES D'INCENDIE, D'ÉLECTROCUTION OU DE BLESSURES CORPORELLES, SUIVEZ LES DIRECTIVES SUIVANTES :**

1. N'utilisez cet appareil que de la façon prévue par le fabricant. Si vous avez des questions, contactez le fabricant à l'adresse ou au numéro de téléphone indiqués dans la garantie.
2. Avant de réparer ou de nettoyer l'appareil, couper l'alimentation électrique en verrouillant le panneau de distribution afin d'éviter sa remise en marche accidentelle. Si le panneau de distribution ne peut être verrouillé, y fixer un avertissement en évidence, telle qu'une étiquette de couleur vive.
3. Les travaux d'installation et de raccordement électrique doivent être effectués par une personne qualifiée, conformément aux codes et aux standards de construction, incluant ceux concernant la protection contre les incendies.
4. Une quantité d'air adéquate est requise afin d'assurer une bonne combustion et l'évacuation des gaz par la cheminée dans le cas des équipements alimentés au gaz afin de prévenir les retours de cheminée. Conformez-vous aux instructions et aux standards de sécurité des fabricants d'équipement de chauffage, tel qu'ils sont publiés par la National Fire Protection Association (NFPA) et l'American Society for Heating, Refrigeration and Air Conditioning Engineers (ASHRAE) ainsi que les responsables des codes locaux.
5. Veillez à ne pas endommager le câblage électrique ou d'autres équipements non apparents lors de la découpe ou du perçage du mur ou du plafond.
6. Les ventilateurs avec conduits doivent toujours évacuer l'air à l'extérieur.
7. Ne pas utiliser cet appareil avec une commande de vitesse à semiconducteur additionnelle.
8. Afin de réduire les risques d'incendie, n'utilisez que des conduits de métal.
9. Cet appareil doit être mis à la terre et protégé par un DDFT (disjoncteur de fuite à la terre).
10. Convient à une utilisation dans des lieux humides seulement lorsqu'elle est raccordée à un DISJONCTEUR DE FUITE À LA TERRE (DDFT).
11. Cet appareil n'est pas conçu pour être utilisé avec un barbecue au charbon de bois.
12. Lorsqu'une réglementation est en vigueur et qu'elle comporte des exigences d'installation et/ou de certification plus restrictives, lesdites exigences prévalent sur celles de ce document et l'installateur entend s'y conformer à ses frais.

### **AFIN DE RÉDUIRE LES RISQUES DE FEU DE CUISINIÈRE :**

- a) Ne jamais laisser les appareils de cuisson sans surveillance lorsqu'ils sont réglés à feu vif. Les débordements engendrent de la fumée et des déversements graisseux pouvant s'enflammer. Chauffez l'huile lentement, à feu doux ou moyen.
- b) Mettez toujours la hotte en marche lorsque vous cuisinez à feu vif ou que vous cuisinez des mets flambés (par ex. : crêpes Suzette, cerises jubilé, steaks au poivre flambés).
- c) Nettoyez régulièrement la (les) roue(s) du ventilateur. Ne laissez pas la graisse s'accumuler sur le ventilateur, les filtres ou les conduits d'évacuation.
- d) Utilisez le bon format de casserole. Servez-vous toujours de casseroles et d'ustensiles appropriés à la dimension de la surface chauffante.

## **⚠️ AVERTISSEMENT**

### **AFIN D'ÉVITER TOUT RISQUE DE BLESSURES LORS D'UN FEU DE CUISINIÈRE, SUIVEZ CES DIRECTIVES\* :**

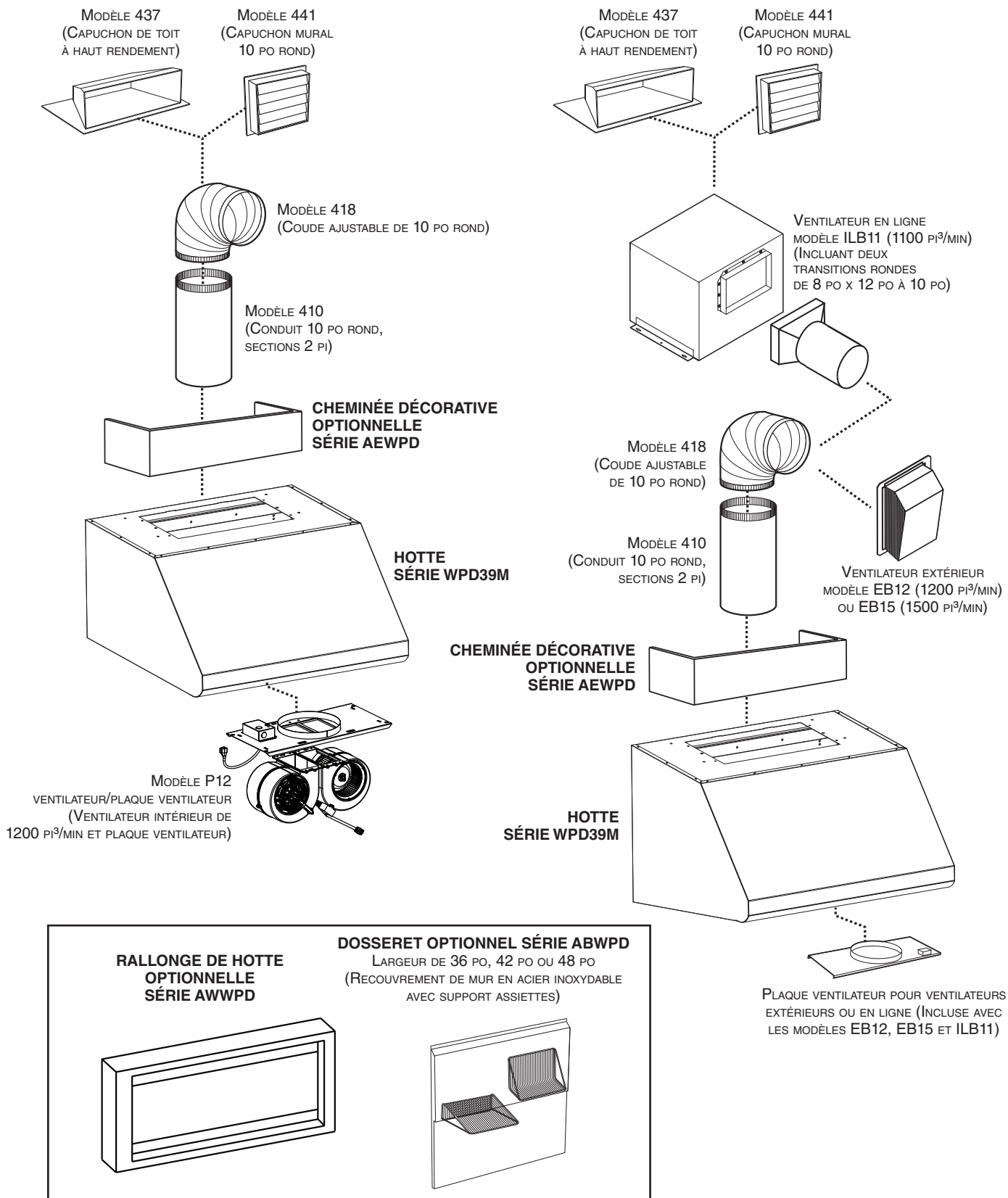
1. Éteignez les flammes avec un couvercle hermétique, une tôle à biscuits ou un plateau métallique et ensuite, éteindre le brûleur. **PRENEZ SOIN D'ÉVITER les brûlures. SI LES FLAMMES NE S'ÉTEIGNENT PAS IMMÉDIATEMENT, ÉVACUEZ LES LIEUX ET APPELEZ LES POMPIERS.**
2. **NE PRENEZ JAMAIS UNE CASSEROLE EN FLAMMES DANS VOS MAINS.** Vous pourriez vous brûler.
3. **N'UTILISEZ PAS D'EAU**, incluant un linge à vaisselle ou une serviette mouillée, cela pourrait occasionner une violente explosion de vapeur.
4. N'utilisez un extincteur **QUE DANS LE CAS OÙ :**
  - A. Vous savez qu'il s'agit d'un extincteur de classe ABC et que vous en connaissez le fonctionnement.
  - B. Le feu est petit et limité à l'endroit où il a débuté.
  - C. Les pompiers ont été avisés.
  - D. Vous pouvez combattre l'incendie en ayant accès à une sortie de secours.

\*Tirées du Kitchen Fire Safety Tips publié par la NFPA.

## **ATTENTION**

1. Pour usage domestique seulement. Ne pas utiliser pour évacuer des vapeurs ou des matières dangereuses ou explosives.
2. Afin d'éviter tout dommage au moteur et de débalancer ou de rendre bruyante la roue du moteur, garder votre appareil à l'abri des poussières de gypse et de construction/rénovation, etc.
3. Le moteur de votre hotte possède une protection thermique qui éteindra automatiquement le moteur s'il devient surchauffé. Le moteur redémarrera automatiquement une fois refroidi. Si le moteur continue à arrêter et à redémarrer, faites-le vérifier.
4. Pour une meilleure évacuation des odeurs de cuisson, le bas de votre hotte doit être situé à une distance de 36 po au-dessus de la surface de cuisson.
5. Deux installateurs sont recommandés lors de l'installation vu la grande dimension et le poids de cet appareil.
6. Afin de réduire les risques d'incendie, assurez-vous d'évacuer l'air à l'extérieur. Ne pas évacuer l'air dans des espaces restreints comme l'intérieur des murs ou plafond ou dans le grenier, faux plafond ou garage.
7. Cet appareil est équipé d'un thermostat pouvant faire démarrer le ventilateur automatiquement. Afin de réduire le risque de blessure, couper le courant à partir du panneau électrique et le verrouiller ou apposer un avertissement sur le panneau afin de prévenir que la hotte ne soit mise en marche accidentellement.
8. Afin de réduire les risques d'incendie et d'électrocution, la hotte Best de série WPD39M doit être installée uniquement avec le ventilateur intérieur Best P12, ou un des ventilateurs extérieurs Best suivants : EB12 ou EB15, ou le ventilateur en ligne Best ILB11 (vendus séparément). Aucun autre ventilateur ne doit être utilisé.
9. Veuillez consulter l'autocollant apposé à l'intérieur du produit pour plus d'information ou autres exigences.

# - SYSTÈME DE HOTTE DE CUISINIÈRE SÉRIE WPD39M -



# 1. SÉLECTIONNER LE VENTILATEUR, INSTALLER LES CONDUITS ET LE CÂBLAGE ÉLECTRIQUE

## ATTENTION

Cette hotte est conçue pour être utilisée sur un patio couvert ou une véranda. Comme tous les électroménagers, cet appareil doit être à l'abri des intempéries.

## ⚠ AVERTISSEMENT

Cette hotte n'est pas conçue pour être utilisée avec un barbecue au charbon de bois.

Cette hotte fonctionne autant avec un ventilateur intérieur, en ligne ou extérieur. La hotte de modèle Best de série WPD39M doit être installée uniquement avec l'un des ventilateurs suivants : P12, ILB11, EB12 ou EB15. Aucun autre ventilateur ne peut être utilisé. (Ventilateurs vendus séparément).

Déterminer à quel endroit et comment les conduits seront installés.

Un conduit droit et court permettra à votre hotte de fonctionner plus efficacement.

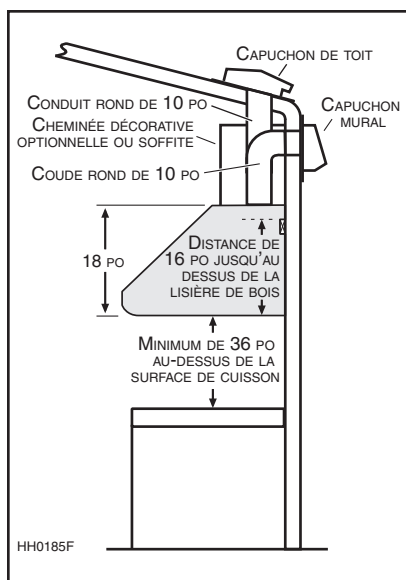
Installer des conduits de dimensions adéquates, des coudes et un capuchon de toit ou de mur. Relier le conduit de métal au capuchon, puis acheminer le conduit jusqu'à l'emplacement de votre hotte. Sceller les joints avec du ruban adhésif de métal de 2 po de largeur.

Acheminer un câble d'alimentation électrique à 3 conducteurs jusqu'à l'emplacement de la hotte.

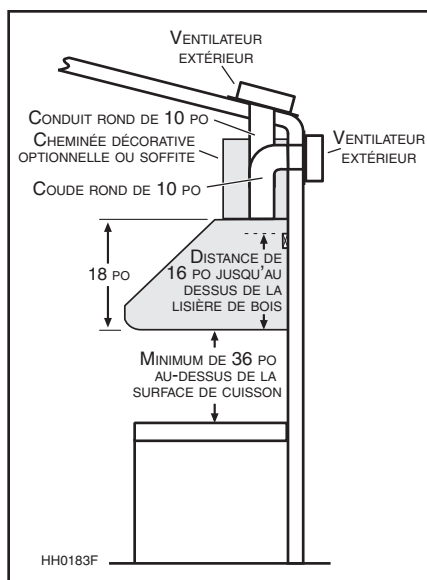
## ⚠ AVERTISSEMENT

Le fil d'alimentation électrique doit être raccordé à un disjoncteur de fuite à la terre (DDFT).

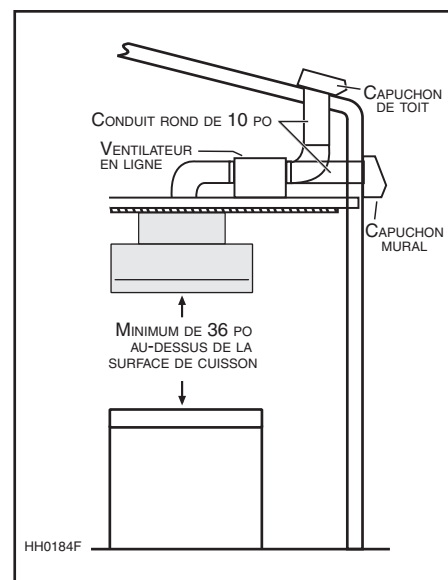
Pour une meilleure évacuation des odeurs de cuisson, le bas de la hotte doit être situé à une distance de 36 po au-dessus de la surface de cuisson.



INSTALLATION TYPIQUE  
VENTILATEUR INTÉRIEUR DOUBLE  
MODÈLE P12



INSTALLATION TYPIQUE  
VENTILATEUR EXTÉRIEUR  
MODÈLE EB12 OU EB15



INSTALLATION TYPIQUE  
VENTILATEUR EN LIGNE MODÈLE ILB11



## 2. PRÉPARER L'INSTALLATION

### ⚠ AVERTISSEMENT

**Il est recommandé de porter des lunettes et des gants de sécurité lors de l'installation, de l'entretien et de la réparation de cet appareil.**

NOTE : Avant de commencer l'installation, vérifier le contenu de la boîte. Si des pièces sont manquantes ou endommagées, contacter le fabricant.

S'assurer que les articles suivants soient inclus :

- Hotte
- Lisière de bois (vissée à l'arrière de la hotte)
- Guide d'installation
- Accessoires :
  - 4 filtres à chicane avec poignées
  - Collecteur de graisses avec poignée
  - Ampoules halogènes avec écran (120 V, 50 W max., MR16 à culot GU10) (2 pour les modèles de 36 po et de 42 po de largeur, 3 pour les modèles de 48 po et 60 po de largeur)
  - Sac de pièces : 3 capuchons de connexion étanches, 2 vis n° 8 x 5/8 po, 6 vis à tête hexagonale n° 10 x 2 po, 4 vis à tête fraisée n° 10 x 2 po, 2 douilles à expansion, 6 rondelles de 3/16 po DI x 3/4 po DE, 4 contre-écrous 10-32 en acier inoxydable  
Inclus dans le sac de pièces, mais à ne pas utiliser (svp jeter) :  
2 serre-fils LP16-AP, 2 vis n° 8 x 3/8 po plaquées zinc, 8 vis en acier inoxydable n° 8 x 3/8 po

Pièces vendues séparément :

- Ventilateur intérieur/plaque ventilateur modèle P12
- Ventilateur en ligne/plaque ventilateur modèle ILB11
- Ventilateur extérieur/plaque ventilateur modèle EB12 ou EB15
- Dossier de série ABWPD, 36 po, 42 po ou 48 po de largeur (optionnel)
- Cheminée décorative de série AEWPD, à être installée au-dessus de la hotte (optionnelle)
- Rallonge de hotte de série AWWPD, 36 po, 42 po, 48 po ou 60 po de largeur (optionnelle)
- Transitions, conduits, coudes, volets, capuchons de mur ou de toit

Consulter la page 16 pour la liste complète des accessoires de ventilation et les numéros de modèle.

NOTE : Lors de l'installation, protéger le plan de cuisson et le comptoir de cuisine.

## 3. INSTALLER LE DOSSERET (OPTIONNEL)

**Série ABWPD (seulement pour les modèles de 36 po, 42 po et 48 po de largeur)**

Le dossier doit être installé avant la hotte, avant la rallonge de hotte (si installée) puisque celles-ci couvrent les vis d'installation du dossier (voir les directives fournies avec le dossier).

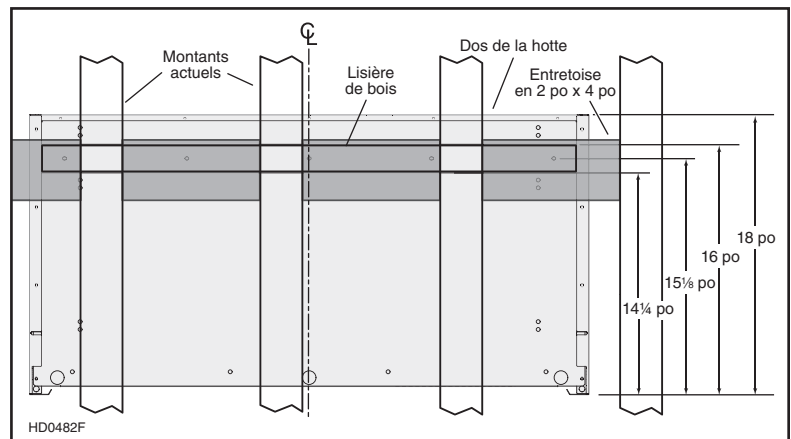
## 4. INSTALLER LA LISIÈRE DE BOIS

### ATTENTION

**En raison du poids élevé de cette hotte, s'assurer que la lisière de bois soit bien rattachée à tous les montants et entretoises disponibles; ne pas visser la lisière de bois seulement au mur.**

1. Une structure de soutien appropriée est nécessaire afin de supporter adéquatement le poids de la hotte. Construire la charpente du mur à l'aide de montants en 2 po x 4 po minimum.

2. Marquer l'emplacement du centre de la hotte.
3. Mesurer et tracer une ligne droite au-dessus de la surface de cuisson pour l'emplacement de la lisière de bois. Installer des entretoises en 2 po x 4 po entre les montants où la lisière de bois sera installée. Voir l'illustration ci-contre.
4. Retirer la lisière de bois de l'arrière de la hotte.
5. Placer la lisière de bois au mur et la fixer aux montants et aux entretoises à l'aide de 4 vis n° 10 x 2 po à tête fraisée (incluses dans le sac de pièces).



## 5. INSTALLER LA RALLONGE DE HOTTE (OPTIONNELLE)

### Série AWWPD

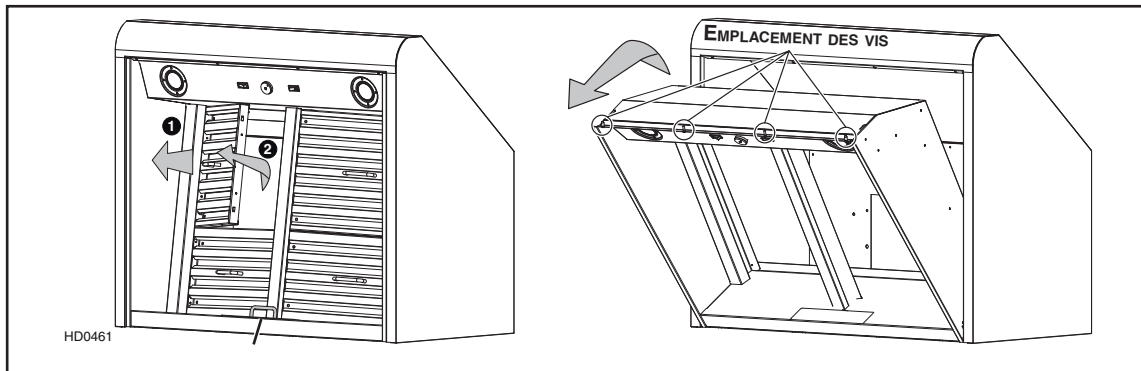
La rallonge de hotte doit être installée avant la hotte (voir les directives fournies avec la rallonge).

## 6. RETIRER LES FILTRES À CHICANE, LE COLLECTEUR DE GRAISSES ET LE PANNEAU INFÉRIEUR

Retirer le ruban adhésif des filtres. Retirer les filtres de la hotte (tel qu'il est illustré ci-dessous) et les mettre de côté.

Retirer le ruban adhésif du collecteur de graisses. Soulever et tirer le collecteur afin de le retirer puis, le mettre de côté.

Retirer les vis de retenue du panneau inférieur (4, 5 ou 6 selon la largeur de la hotte) et les mettre de côté. Incliner le panneau vers l'avant.



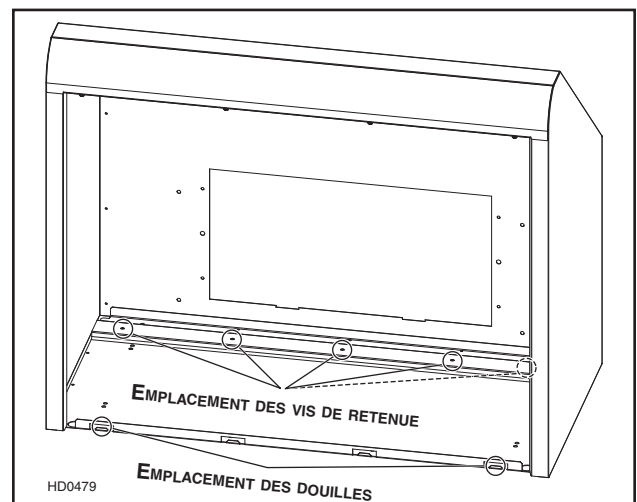
## 7 INSTALLER LA HOTTE

### ⚠ AVERTISSEMENT

Retenir la hotte jusqu'à ce qu'elle soit complètement vissée à la lisière de bois.

En appuyant la hotte au mur, insérer la lisière de bois dans la cavité arrière de la hotte.

Fixer la hotte à la lisière de bois à l'aide de 5 vis n° 10 x 2 po à tête hexagonale aux endroits indiqués ci-contre. En se servant des trous existants dans la hotte, percer le mur, aux endroits indiqués, de 2 trous de 3/16 po et y insérer les douilles à expansion. Puis, fixer la hotte au mur avec les vis n° 8 x 5/8 po restantes et les 2 rondelles fournies.



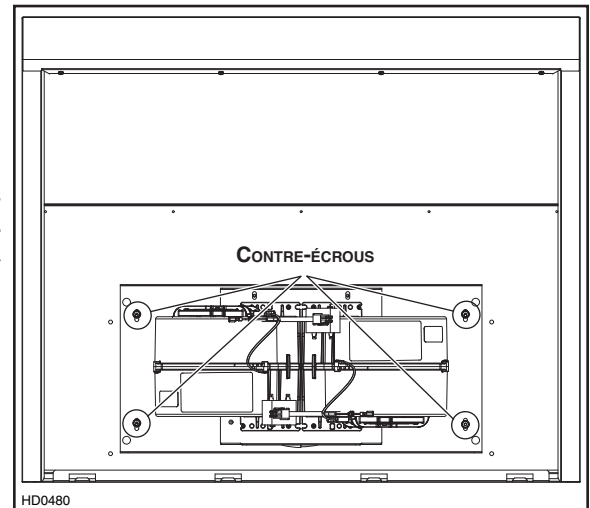
## 8. INSTALLER LA PLAQUE VENTILATEUR

### ATTENTION

Installer la plaque ventilateur à l'aide des 4 contre-écrous 10-32 et des rondelles inclus dans le sac de pièces de la hotte. Jeter les écrous fournis avec la plaque ventilateur.

Pour les détails concernant l'installation de la plaque ventilateur, voir les instructions comprises avec l'ensemble ventilateur et plaque ventilateur (vendu séparément). Installer la plaque ventilateur de façon à ce que son boîtier électrique se trouve à droite lorsque vous faites face à la hotte.

Attacher le conduit rond de 10 po à la plaque ventilateur.



## 9. BRANCHEMENT ÉLECTRIQUE

### ⚠ AVERTISSEMENT

**Risque d'électrocution. Le raccordement électrique doit être effectué par du personnel qualifié conformément aux codes et aux standards. Avant d'effectuer le branchement, coupez l'alimentation électrique au panneau de distribution et verrouillez-le pour éviter une mise en marche accidentelle.**

Retirer le couvercle du boîtier électrique de la plaque ventilateur et le mettre de côté.

Connecter le fil NOIR au NOIR, le fil BLANC au BLANC et le fil VERT ou dénudé à la vis VERTE de mise à la terre.

Remettre en place le couvercle du boîtier électrique.

#### DIRECTIVES POUR L'UTILISATION DES CAPUCHONS DE CONNEXION ÉTANCHES :

1. Dégainer les fils d'une longueur de 3/8 po.
2. Égaliser les brins ou les conducteurs.
3. Ne pas les tordre. Rapprocher les fils et mettre leurs bouts égaux, sauf pour les fils à brins plus petits, lesquels doivent dépasser légèrement des fils plus gros.
4. Insérer les fils dans le capuchon de connexion en poussant légèrement et tordre. NE PAS trop tordre.
5. Un peu de scellant pourrait s'échapper lors de l'insertion des fils dans le capuchon de connexion. Essuyer l'excès de scellant autour des conducteurs. NE PAS RÉUTILISER.

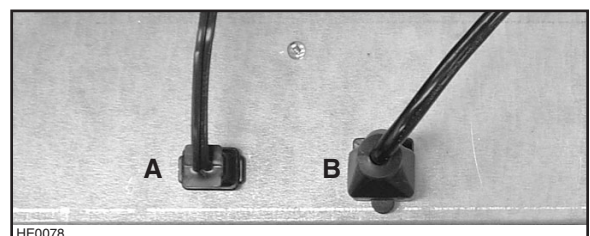
## 10. INSTALLER LE VENTILATEUR

Pour installer le ventilateur, voir les instructions comprises avec celui-ci.

Une fois installé, brancher le fil du ventilateur à la prise à 2 alvéoles (A) et le fil d'alimentation électrique de la hotte (B) à la fiche à 3 broches, à l'intérieur de la hotte.

### ⚠ AVERTISSEMENT

**Ne jamais brancher ensemble le fil du ventilateur au fil d'alimentation de la hotte.**



## 11. INSTALLER LA CHEMINÉE DÉCORATIVE (OPTIONNELLE)

### Série AEWPD

Voir les directives fournies avec la cheminée décorative optionnelle.

## 12. RÉINSTALLER LE PANNEAU INFÉRIEUR, LE COLLECTEUR DE GRAISSES ET LES FILTRES À GRAISSES

### ATTENTION

**Avant d'installer les filtres à chicane, retirer la pellicule de plastique protectrice de ceux-ci.**

1. Repousser le panneau inférieur dans la hotte et le fixer à la hotte à l'aide des vis précédemment retirée à l'étape 5.
2. Réinstaller le collecteur de graisses.
3. Insérer une extrémité du filtre dans le rail de côté de la hotte. Soulever l'autre extrémité vers le centre de la hotte et l'insérer dans la gouttière.

## 13. REMPLACEMENT DES AMPOULES

L'éclairage de cette hotte est produit par des ampoules halogènes avec écran de 120 V, 50 W, MR16 à culot GU10 (incluses). (2 pour les modèles de 36 po et de 42 po, 3 pour les modèles de 48 po et 60 po.)

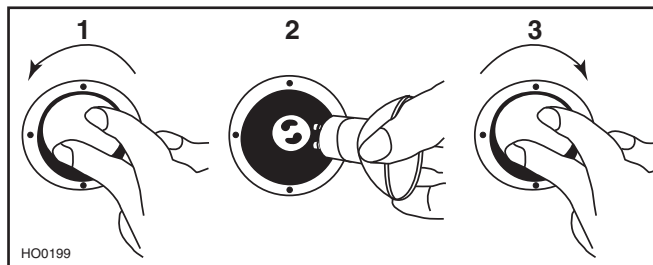
### ⚠ AVERTISSEMENT

**Ne pas toucher aux lampes durant ou peu après leur utilisation. Peuvent causer des brûlures. Afin de réduire le risque de blessures corporelles, n'installer que des ampoules halogènes avec écran. Aussi, ne jamais installer une ampoule à faisceau froid, dichroïque, non conçue pour des luminaires encastrés ou conçue uniquement pour des luminaires fermés.**

1. Pour retirer les ampoules, pousser doucement vers le haut et tourner dans le sens contraire des aiguilles d'une montre pour désengager les conducteurs hors de leur rainure.

NOTE : Pour obtenir une meilleure prise de l'ampoule lors de son retrait, utiliser un gant à vaisselle ou la ventouse de Best. Contacter le Service à la clientèle de Best au 1 800 558-1711 pour commander la ventouse, numéro de pièce 99526707.

2. Installer les nouvelles ampoules en glissant leurs conducteurs dans les rainures, à l'intérieur des douilles.
3. Pousser doucement vers le haut et tourner dans le sens des aiguilles d'une montre jusqu'à ce que les ampoules soient bien en place.



## 14. ENTRETIEN

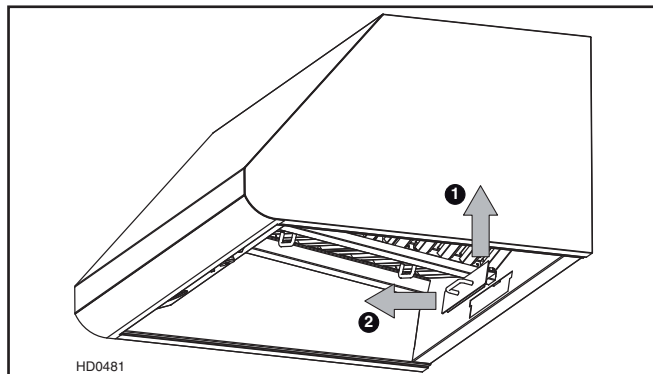
### Filtres à chicane

Les filtres à chicane doivent être nettoyés fréquemment. Utiliser une solution d'eau chaude et de détergent. Les filtres à chicane doivent être lavés plus souvent si vos habitudes de cuisson génèrent plus de graisse, par exemple de la friture ou des aliments sautés au wok. Retirer les filtres en les poussant vers le côté de la hotte et en les retournant vers le bas.

Les filtres à chicane sont lavables au lave-vaisselle. Nettoyer les filtres fabriqués entièrement de métal au lave-vaisselle à l'aide d'un détergent sans phosphate. L'utilisation d'un détergent avec phosphates ainsi que les conditions locales de l'eau peuvent entraîner une décoloration des filtres, sans toutefois affecter leur performance. Cette décoloration n'est pas couverte par la garantie. Laisser les filtres sécher complètement avant de les réinstaller dans la hotte.

### Collecteur de graisses

Le collecteur de graisses devrait être vidé et nettoyé fréquemment. Le retirer de la hotte (tel qu'il est illustré ci-contre) et utiliser une solution d'eau chaude et de détergent. Le nettoyer plus souvent si vos habitudes de cuisson génèrent plus de graisse, par exemple de la friture ou des aliments sautés au wok. Laisser le collecteur de graisses sécher complètement avant de le réinstaller dans la hotte.



## 14. ENTRETIEN (SUITE)

### Gouttière

La gouttière doit être nettoyée fréquemment. Utiliser une solution d'eau chaude et de détergent. Laver la gouttière plus souvent si vos habitudes de cuisson génèrent plus de graisse, par exemple de la friture ou des aliments sautés au wok.

### Nettoyage du ventilateur

Accéder au ventilateur. Passer l'aspirateur pour nettoyer, ne pas immerger dans l'eau.

### Nettoyage de la hotte

Acier inoxydable :

À faire :	À ne pas faire :
<ul style="list-style-type: none"><li>• Laver régulièrement les surfaces à l'aide d'un chiffon ou linge propre imbibé d'eau tiède et de savon doux ou de détergent liquide à vaisselle.</li><li>• Toujours nettoyer dans le sens du polissage.</li><li>• Toujours bien rincer avec de l'eau claire (2 à 3 fois) et essuyer complètement.</li><li>• Un nettoyant domestique conçu spécialement pour l'acier inoxydable peut aussi être utilisé.</li></ul>	<ul style="list-style-type: none"><li>• Ne pas utiliser de laine d'acier ou d'acier inoxydable ou tout autre grattoir pour enlever la saleté tenace.</li><li>• Ne pas utiliser une poudre nettoyante abrasive ou rugueuse.</li><li>• Ne pas laisser la saleté s'accumuler.</li><li>• Ne pas laisser la poussière de plâtre ou tout autre résidu de construction atteindre la hotte. Couvrir la hotte pour la durée des travaux afin de s'assurer qu'aucune poussière n'atteigne la hotte.</li></ul>

### À éviter lors du choix d'un détergent :

- Tous produits nettoyants contenant des **agents de blanchiment**; ils attaqueront l'acier inoxydable.
- Tous produits contenant du **chlorure**, du **fluorure**, de l'**iode** ou du **bromure**; ils détérioreront rapidement les surfaces.
- Tous produits combustibles utilisés pour le nettoyage : **acétone**, **alcool**, **éther**, **benzène**, etc.; ils sont grandement explosifs et ne devraient jamais être utilisés près d'une cuisinière.

## 15. FONCTIONNEMENT

### VENTILATEUR

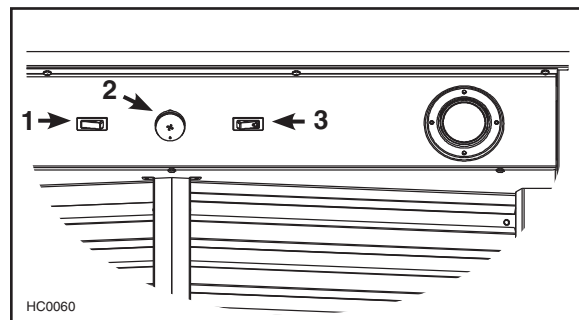
Le ventilateur fonctionne à l'aide de 2 commandes.

Utiliser l'interrupteur à bascule MARCHE/ARRÊT (1) pour activer et arrêter le ventilateur. Lorsque l'interrupteur est à la position marche, sa lumière rouge s'allume et le ventilateur fonctionne à la vitesse réglée par le bouton de la commande de vitesse (2).

Tourner le bouton de la commande de vitesse dans le sens des aiguilles d'une montre pour augmenter la vitesse du ventilateur, et dans le sens contraire des aiguilles d'une montre pour ralentir sa vitesse.

### ÉCLAIRAGE DE LA SURFACE DE CUISSON (HALOGÈNE)

Utiliser l'interrupteur à bascule MARCHE/ARRÊT (3) pour allumer et éteindre les lumières.



- 1) Interrupteur MARCHE/ARRÊT du ventilateur
- 2) Bouton de la commande de vitesse du ventilateur
- 3) Interrupteur d'éclairage halogène

### HEAT SENTRY<sup>MC</sup>

Cette hotte est équipée d'un thermostat Heat Sentry<sup>MC</sup>. Ce thermostat est un dispositif qui mettra en marche le ventilateur s'il détecte de la chaleur excessive au-dessus de la surface de cuisson.

- 1) Si le ventilateur n'est pas en marche, il actionnera le ventilateur en haute vitesse.
- 2) Si le ventilateur est déjà en marche, il réglera le ventilateur en haute vitesse.

### ⚠ AVERTISSEMENT

**Lors d'un feu de cuisson ou d'une chaleur excessive, le HEAT SENTRY peut activer le ventilateur même s'il est arrêté. Si tel est le cas, il est impossible d'arrêter le ventilateur avec l'interrupteur de la commande. Pour arrêter le ventilateur, faites-le depuis le panneau de distribution principal.**

Lorsque la température revient à la normale, le ventilateur retourne à sa vitesse d'origine.

## 16. GARANTIE

### GARANTIE LIMITÉE DE 5 ANS SUR LES PRODUITS BEST<sup>MD</sup>

**Période de garantie et exclusions :** Broan-NuTone LLC (l'« entreprise ») garantit au consommateur qui achète son produit (« vous ») que le produit (le « produit ») restera exempt de défauts importants dans ses composants ou sa fabrication pendant une période de cinq (5) ans à compter de la date de l'achat initial (ou pour une période plus longue si la loi en vigueur l'exige) ou une période de deux (2) ans à compter de la date de la prestation d'un service sur le produit.

La garantie limitée des pièces de rechange fournies par l'entreprise et de tout produit réparé ou remplacé en vertu de cette garantie est valide pour la durée non écoulée de la période de garantie initiale (ou d'une période plus longue si la loi en vigueur l'exige).

**LA PRÉSENTE GARANTIE NE S'APPLIQUE PAS AUX DÉMARREURS DE LAMPE FLUORESCENTE, NI AUX TUBES, AMPOULES, FUSIBLES, FILTRES, CONDUITS, CAPUCHONS DE TOIT, CAPUCHONS MURAUX ET AUX AUTRES ACCESSOIRES POUR CONDUITS.** Cette garantie exclut : a) l'entretien normal, b) l'usure normale, c) les produits et les pièces ayant fait l'objet d'une utilisation mauvaise, abusive ou anormale, d'une négligence, d'un accident, d'un entretien ou d'un entreposage, d'une réparation ou d'un entretien inadéquats ou insuffisants (sauf s'il s'agit d'une réparation effectuée par l'entreprise), d) les dommages attribuables à une installation incorrecte ou à une installation ou utilisation contraires aux recommandations ou aux instructions, e) les dommages attribuables au contact de l'air salin, f) les dommages survenus durant le transport, g) l'usure normale de la finition, h) les produits d'utilisation commerciale ou non résidentielle, i) les dommages causés par le feu, une inondation ou une autre catastrophe naturelle, ou j) les produits dont le numéro de série a été altéré ou effacé. Cette garantie ne s'applique qu'aux produits vendus aux consommateurs en Amérique du Nord. La présente garantie remplace les garanties précédentes et, sous réserve de la loi applicable, n'est pas transférable par l'acheteur initial.

**Aucune autre garantie :** La présente garantie limitée énonce l'unique obligation de l'entreprise et votre seul recours pour les produits défectueux. Les garanties qui précèdent sont exclusives et l'emportent sur les autres garanties et modalités, expresses ou implicites. **DANS TOUTE LA MESURE PERMISE PAR LA LOI EN VIGUEUR, L'ENTREPRISE SE DÉGAGE DES AUTRES GARANTIES ET MODALITÉS EXPRESSES ET DES GARANTIES ET MODALITÉS IMPLICITES EN VERTU DE LA LOI, Y COMPRIS, SANS S'Y LIMITER, LES GARANTIES DE QUALITÉ MARCHANDE ET D'ADAPTATION À UN USAGE PARTICULIER.** Dans la mesure où la loi applicable interdit l'exclusion des garanties ou modalités implicites, la durée d'une garantie ou modalité implicite applicable est restreinte à la période indiquée pour la garantie expresse ci-dessus. Certains territoires de compétence (ce qui peut inclure la province de Québec ou certains États des États-Unis) interdisent les limites à la durée des garanties implicites; la restriction susmentionnée pourrait donc ne pas s'appliquer à vous. Les descriptions orales ou écrites du produit ont pour seul objet d'indiquer les produits et ne sauraient être interprétées dans le sens d'une garantie expresse. Autant que possible, chaque disposition de cette garantie limitée est interprétée de sorte qu'elle soit valide sous le régime de la loi applicable, mais si l'une de ses dispositions est déclarée interdite ou nulle, cette disposition n'est nulle que dans la mesure de cette interdiction ou nullité, et les autres éléments de cette disposition ainsi que les autres dispositions de la garantie limitée restent valides.

**Recours :** Durant la période de la garantie limitée applicable, l'entreprise fournira, à son choix, des pièces de rechange ou des services de réparation ou de remplacement sans frais pour tout produit ou toute pièce de produit, dans la mesure où l'entreprise constate que la présente garantie limitée s'applique à ce produit ou à cette pièce dans le contexte d'une utilisation et d'un entretien normaux. L'entreprise vous expédiera le produit réparé, son remplacement ou les pièces de rechange sans frais. Vous assumez la totalité des coûts de mise hors service, de réinstallation, d'expédition et d'assurance et les autres frais de transport associés à la livraison du produit ou de la pièce à l'entreprise. Si vous devez envoyer le produit ou la pièce à l'entreprise, conformément à ses instructions, vous devez emballer adéquatement le produit ou la pièce; l'entreprise n'est pas responsable des dommages survenus durant le transport. L'entreprise se réserve le droit d'utiliser des produits ou pièces remis à neuf, réparés ou remanufacturés aux fins de réparation ou de remplacement dans le cadre de la garantie. Ces produits et ces pièces seront comparables quant à la fonction et aux performances avec les produits ou pièces d'origine, et protégés par une garantie pour la durée restante de la période de garantie initiale (ou d'une période plus longue si la loi en vigueur l'exige). L'entreprise se réserve le droit, à son entière discrétion, de rembourser le montant que vous avez effectivement payé pour le produit. Si le produit ou la pièce n'est plus disponible, elle peut le ou la remplacer par un produit similaire de valeur égale ou supérieure, à son entière discrétion. Ceci constitue votre seul recours advenant un non-respect de la présente garantie limitée.

**Exclusion des dommages :** **L'OBLIGATION DE L'ENTREPRISE DE FOURNIR DES PIÈCES DE RECHANGE, OU DE RÉPARER OU REMPLACER LE PRODUIT, À SON CHOIX, EST VOTRE SEUL RECOURS EN VERTU DE LA PRÉSENTE GARANTIE LIMITÉE ET L'UNIQUE OBLIGATION DE L'ENTREPRISE. CETTE DERNIÈRE N'EST PAS RESPONSABLE DES DOMMAGES INDIRECTS OU SPÉCIAUX DÉCOULANT DIRECTEMENT OU INDIRECTEMENT DU PRODUIT, DE SON UTILISATION OU DE SES PERFORMANCES.**

Certains territoires de compétence interdisent l'exclusion ou la restriction des dommages indirects; la restriction qui précède pourrait donc ne pas s'appliquer à vous. Cette garantie vous donne des droits spécifiques, et vous pourriez aussi avoir d'autres droits, qui varient selon le territoire de compétence. Les renoncements, exclusions et restrictions de responsabilité aux termes de cette garantie ne s'appliquent pas dans la mesure où la loi en vigueur interdit une telle application.

La présente garantie ne s'applique qu'au remplacement ou à la réparation de produits ou pièces de produit défectueux effectué au principal lieu d'affaires de l'entreprise, et exclut les frais de déplacement et de subsistance liés aux services fournis sur le terrain.

Tout soutien que l'entreprise vous fournit ou vous procure et qui n'est pas visé par les dispositions, limites ou exclusions de la présente garantie limitée ne constitue pas une renonciation à ces dispositions, limites ou exclusions, et la fourniture de ce soutien ne prolonge ni ne rétablit la garantie.

L'entreprise ne vous remboursera pas vos dépenses faites pour la réparation ou le remplacement d'un produit défectueux, sauf celles pour lesquelles vous avez obtenu le consentement écrit de l'entreprise.

**Comment obtenir le service de garantie :** Pour avoir droit au service de garantie, vous devez : a) aviser l'entreprise à l'adresse ou au numéro de téléphone indiqué ci-dessous dans les sept (7) jours qui suivent la date où vous avez eu connaissance de la défectuosité couverte, b) indiquer le numéro de modèle et les données d'identification de la pièce, et c) décrire la nature de toute défectuosité du produit ou de la pièce. Au moment où vous demandez le service de garantie, vous devez présenter une preuve de la date de l'achat initial. Si vous ne pouvez pas produire de copie de l'original de la garantie limitée, alors ce seront les modalités de la dernière version de la garantie limitée de votre produit de l'entreprise qui s'appliqueront.

#### SPÉCIFICATIONS DU PRODUIT

Toutes les illustrations et les spécifications des produits contenues dans ce catalogue sont établies d'après les plus récentes données disponibles en date de la production. Broan-NuTone LLC et BEST<sup>MD</sup> se réservent le droit de modifier les prix, les couleurs, les composants, les produits, les spécifications et les modèles, de déplacer le lieu de fabrication et de cesser la production d'un modèle ou d'un produit, et ce, en tout temps et sans préavis.

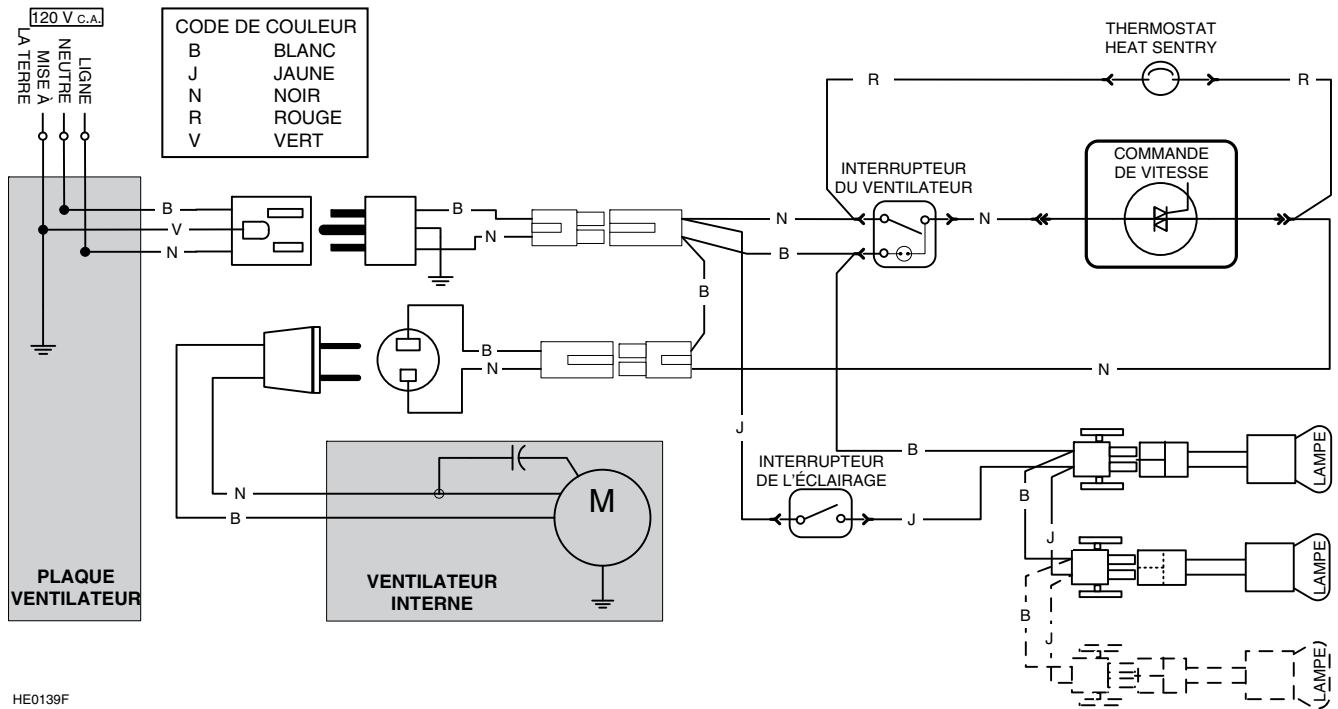
Best

Broan-NuTone LLC : 926 W. State Street, Hartford (WI) 53207 1 800 637-1453

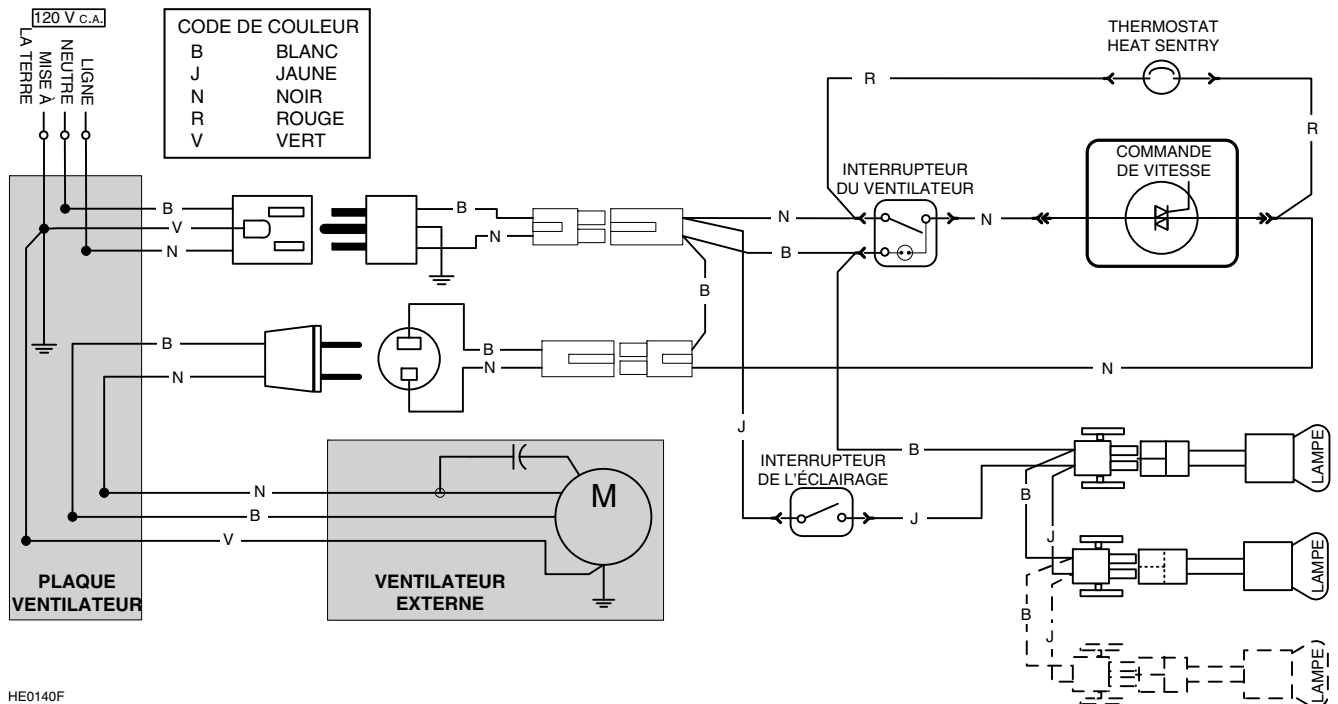
Best<sup>MD</sup>, 550, boul. Lemire, Drummondville (Québec), Canada (1 866 737-7770) fr.bestrangehoods.ca

# 17. SCHÉMAS ÉLECTRIQUES

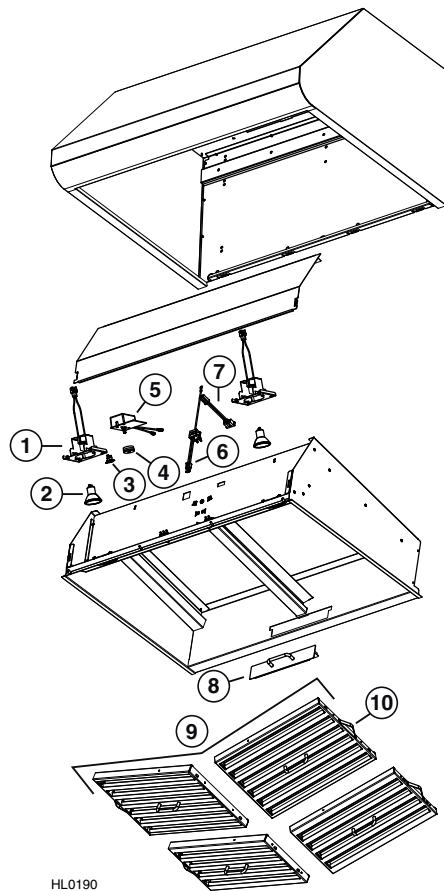
## Ventilateur interne



## Ventilateur extérieur ou en ligne



## 18. PIÈCES DE REMPLACEMENT



HL0190

N°	PIÈCE N°	DESCRIPTION	Qté (LARGEUR DE HOTTE)			
			36 PO	42 PO	48 PO	60 PO
1	SV60887	ASSEMBLAGE DE DOUILLE D'AMPOULE	2	2	3	3
2	SV05921	AMPOULE HALOGÈNE AVEC ÉCRAN (120 V, 50 W, À CULOT GU10)	2	2	3	3
3	SV03435	THERMOSTAT HEAT SENTRY <sup>MC</sup>	1	1	1	1
4	SV08549	BOUTON DU VENTILATEUR	1	1	1	1
5	SV03501	COMMANDE DE VITESSE	1	1	1	1
6	SV13924	PRISE	1	1	1	1
7	SV13923	FICHE	1	1	1	1
8	SV60879	COLLECTEUR DE GRAISSES	1	1	1	1
9	SV60675	FILTRE À CHICANE 11,84 PO X 15,125 PO (POIGNÉE INCLUSE)	2	2	2	2
	SV60716	FILTRE À CHICANE 8,84 PO X 15,125 PO (POIGNÉE INCLUSE)	2	2	2	2
10	SV08337	RESSORT POUR FILTRE	4	4	4	4
*	SV02563	INTERRUPTEUR À BASCULE DE L'ÉCLAIRAGE	1	1	1	1
*	SV03503	INTERRUPTEUR À BASCULE DU VENTILATEUR	1	1	1	1
*	SV05869	LOGO BEST	1	1	1	1
*	SV20611	GUIDE D'INSTALLATION	1	1	1	1
*	SV04216	SAC DE PIÈCES : 3 CAPUCHONS DE CONNEXION ÉTANCHES, 2 VIS N° 8 x 5/8 PO, 6 VIS À TÊTE HEXAGONALE N° 10 x 2 PO, 4 VIS À TÊTE FRAISÉE N° 10 x 2 PO, 2 DOUILLES À EXPANSION, 6 RONDELLES DE 3/16 PO DI x 3/4 PO DE, 4 CONTRE-ÉCROUS 10-32 EN ACIER INOXYDABLE, 2 SERRE-FILS LP16-AP, 2 VIS N° 8 x 3/8 PO PLAQUÉES ZINC, 8 VIS EN ACIER INOXYDABLE N° 8 x 3/8 PO	1	1	1	1

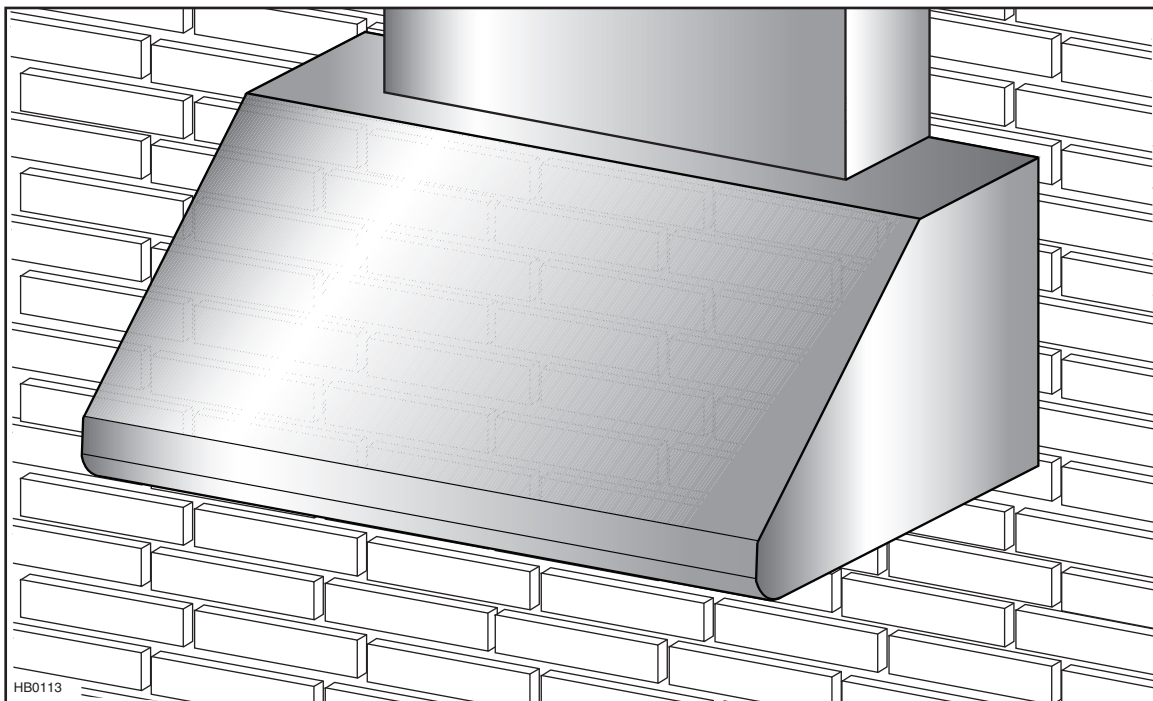
\* NON ILLUSTRÉ.

### PIÈCES DE REMPLACEMENT ET SERVICE

Pour assurer le bon fonctionnement de votre appareil, vous devez toujours utiliser des pièces d'origine provenant de Broan-NuTone. Les pièces d'origine de Broan-NuTone sont spécialement conçues pour satisfaire toutes les normes de certification de sécurité applicables. Leur remplacement par des pièces ne provenant pas de Broan-NuTone pourrait ne pas assurer la sécurité de l'appareil, entraîner une réduction sévère des performances ainsi qu'un risque de défaillance prématurée. Broan-NuTone recommande également de toujours vous référer à une entreprise de services compétente et reconnue par Broan-NuTone pour vos pièces de remplacement et appels de service.



# best®



## SERIE WPD39M

⚠ CONCEBIDO SÓLO PARA USO DOMÉSTICO ⚠

**LEER Y CONSERVAR ESTAS INSTRUCCIONES**

INSTALADOR: DEJAR ESTE MANUAL AL PROPIETARIO.  
PROPIETARIO: INSTRUCCIONES DE UTILIZACIÓN Y MANTENIMIENTO  
EN LAS PÁGINAS 33 Y 34.

BEST; Hartford, Wisconsin [www.BestRangeHoods.com](http://www.BestRangeHoods.com) 800-558-1711

BEST; Drummondville, QC, Canada [www.BestRangeHoods.com](http://www.BestRangeHoods.com) 866-737-7770

Para registrar su producto en línea o para obtener más información, visitar nuestro sitio [www.BestRangeHoods.com](http://www.BestRangeHoods.com)

## **⚠️ ADVERTENCIA**

### **PARA REDUCIR EL RIESGO DE INCENDIO, DESCARGA ELÉCTRICA O LESIÓN CORPORAL, RESPETE LAS SIGUIENTES INDICACIONES:**

1. Utilice esta unidad únicamente de la forma en que indica el fabricante. Si tiene cualquier pregunta, póngase en contacto con el fabricante en la dirección o el teléfono que aparecen en la garantía.
2. Antes de reparar o limpiar el aparato, apáguelo en el tablero de servicio y bloquee los medios de desconexión para impedir que la corriente se conecte accidentalmente. Cuando no se pueda bloquear los medios de desconexión, coloque un dispositivo de advertencia visible (como una etiqueta) en el tablero de servicio.
3. La instalación y la conexión eléctrica deben ser realizadas por personal calificado de acuerdo con todos los códigos y normas aplicables, incluso los relativos a la construcción ignífuga.
4. Para lograr una combustión adecuada y una extracción correcta de los gases a través de la salida del humo (chimenea) del equipo quemador de combustible — evitando así el contratiro — es necesario disponer de aire suficiente. Siga las directrices del fabricante del equipo de material térmico y las normas de seguridad, como las que publica la NFPA (asociación de protección contra los incendios) y la ASHRAE (sociedad estadounidense de técnicos de calefacción, refrigeración y aire acondicionado) así como los códigos de los organismos responsables locales.
5. Al cortar o perforar la pared o el techo, procure no dañar el cableado eléctrico ni otras instalaciones de servicios públicos.
6. Los ventiladores entubados siempre deben tener salida al exterior.
7. No utilice este aparato con un dispositivo de control de velocidad con semiconductores.
8. Para reducir el riesgo de incendio, utilice sólo tuberías metálicas.
9. Este aparato debe conectarse a tierra y ha de estar protegido con un disyuntor.
10. Adecuado para lugares húmedos cuando se instala en un circuito de derivación **PROTEGIDO CON UN DISYUNTOR**.
11. Este aparato no está pensado para utilizarse con una parrilla de carbón.
12. Cuando una reglamentación local esta en vigor y conlleva exigencias de instalación y/o de certificación más estrictas, susodichas exigencias prevalecen sobre aquellas en este documento y el instalador acepta someterse a estas exigencias a sus gastos.

### **PARA REDUCIR EL RIESGO DE QUE ARDA LA GRASA EN LA PARTE SUPERIOR DE LA COCINA:**

- a) No deje nunca recipientes de cocina a fuego vivo sin vigilancia. Los desbordamientos producen humo y derrames grasientos que pueden inflamarse. Caliente el aceite despacio, a fuego lento o mediano.
- b) Ponga en marcha siempre la campana extractora al cocinar a temperaturas elevadas o al cocinar alimentos flameados (crepas Suzette, cerezas jubilee, res con pimienta flambeada).
- c) Limpie los ventiladores con frecuencia. No deje que la grasa se acumule en el ventilador, ni en los filtros o en los conductos de evacuación.
- d) Utilice cacerolas de tamaño apropiado. Emplee siempre un recipiente adecuado para el tamaño de la placa.

## **⚠️ ADVERTENCIA**

### **PARA REDUCIR EL RIESGO DE LESIONES CORPORALES EN EL CASO DE QUE ARDA LA GRASA EN LA PARTE SUPERIOR DE LA COCINA, SIGA ESTAS INDICACIONES\*:**

1. SOFOQUE LAS LLAMAS con una tapa ajustada, una hoja o bandeja metálica para hornear galletas, y apague luego el quemador. **TENGA CUIDADO PARA EVITAR QUEMADURAS. SI LAS LLAMAS NO SE APAGAN INMEDIATAMENTE, EVACUE EL LUGAR Y LLAME A LOS BOMBEROS.**
2. **NO SUJETE NUNCA UNA SARTÉN EN LLAMAS** ya que podría quemarse.
3. **NO USE AGUA**, ni trapos húmedos. Podría causar una violenta explosión de vapor.
4. Utilice un extintor **SOLAMENTE** si:
  - A. Tiene un extintor de tipo ABC y sabe usarlo.
  - B. El incendio es pequeño y está circunscrito a la zona donde empezó.
  - C. Ya ha llamado a los bomberos.
  - D. Puede tratar de apagar el fuego si dispone siempre de una salida detrás de usted.

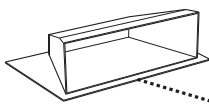
\* Fuente: "Kitchen Fire Safety Tips" publicado por la NFPA.

## **PRECAUCIÓN**

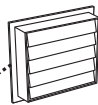
1. Sólo para ventilación general. No debe utilizarse para extraer materiales o vapores peligrosos o explosivos.
2. Para evitar daños en el cojinete del motor y que la hélice haga ruido o se desequilibre, mantenga la unidad de alimentación lejos de los vaporizadores de pirca, del polvo de la construcción, etc.
3. El motor de la campana tiene un dispositivo contra sobrecargas térmicas que apaga el motor automáticamente si éste se sobrecalienta. El motor volverá a ponerse en marcha cuando se enfríe. Si el motor sigue apagándose, haga examinar la campana.
4. Para que la campana capte bien las impurezas que se desprenden al cocinar, la distancia mínima entre la campana y la superficie de la cocina no debe ser inferior a 36 pulgadas.
5. Dado el peso y el tamaño de esta unidad, se aconseja que la instalen dos personas.
6. Para reducir los riesgos de incendio y extraer el aire debidamente, el aire debe evacuarse fuera. No extraiga el aire a espacios situados entre las paredes, en el techo o en el desván, falso techo o garaje.
7. Este producto está equipado con un termostato que puede poner en marcha el ventilador automáticamente. Para reducir el riesgo de que se produzcan daños y evitar poner en marcha la alimentación accidentalmente, apague la corriente en el tablero de servicio, bloquee este tablero o ponga una etiqueta de advertencia.
8. Para reducir el riesgo de incendio y de choque eléctrico, la campana de la serie WPD39M de Best debe instalarse únicamente con el ventilador interior P12 de Best, y los ventiladores exteriores EB12 o EB15 de Best, y el ventilador en línea ILB11 de Best. No deben utilizarse otros ventiladores. Los ventiladores se venden aparte.
9. Para mayor información y conocer los requisitos, lea la etiqueta con las especificaciones en el producto.

# - CAMPANAS DE COCINA DE LA SERIE WPD39M -

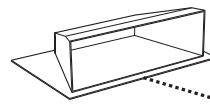
MODELO 437  
(CAPUCHÓN DE ALTA  
CAPACIDAD PARA TEJADO)



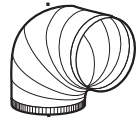
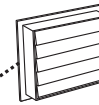
MODELO 441  
(CAPUCHÓN MURAL  
REDONDO DE 10")



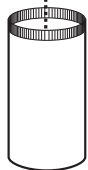
MODELO 437  
(CAPUCHÓN DE ALTA  
CAPACIDAD PARA TEJADO)



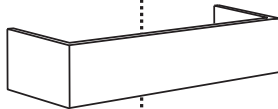
MODELO 441  
(CAPUCHÓN MURAL  
REDONDO DE 10")



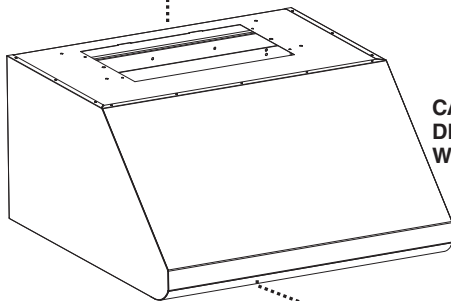
MODELO 418  
(CODO AJUSTABLE REDONDO DE 10")



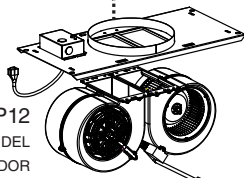
MODELO 410  
(TUBO REDONDO DE 10",  
SECCIONES DE 2 PIES)



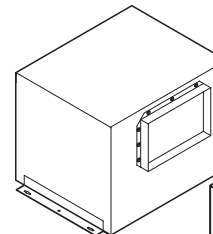
SERIE AEWPD, CHIMENEA  
DECORATIVA OPCIONAL



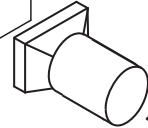
CAMPANA  
DE LA SERIE  
WPD39M



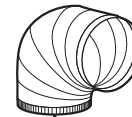
MODELO P12  
CONJUNTO DE VENTILADOR/PLACA DEL  
VENTILADOR  
(VENTILADOR INTERIOR DE 1200 PCM  
Y PLACA DEL VENTILADOR)



MODELO ILB11 (1100 PCM)  
VENTILADOR EN LÍNEA  
(COMPRENDE DOS CAMBIOS DE  
SECCIÓN REDONDOS DE  
8" X 12" A 10")



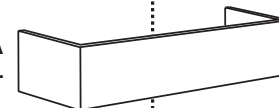
VENTILADOR EXTERIOR  
MODELO EB12 (1200 PCM)  
O EB15 (1500 PCM)



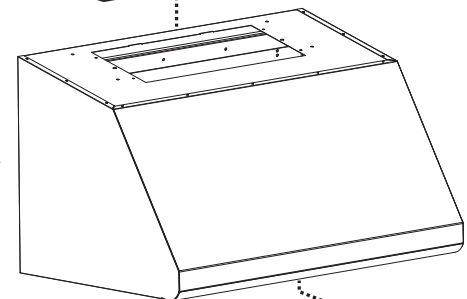
MODELO 418  
(CODO AJUSTABLE  
REDONDO DE 10")



MODELO 410  
(TUBO REDONDO DE 10",  
SECCIONES DE 2 PIES)



SERIE AEWPD, CHIMENEA  
DECORATIVA OPCIONAL

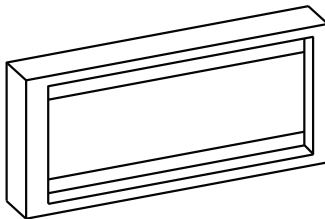


CAMPANA  
DE LA SERIE  
WPD39M

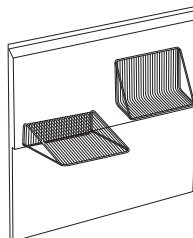


CONJUNTO DE PLACA DEL VENTILADOR  
EN LÍNEA Y EXTERIOR (INCLUIDO CON LOS  
VENTILADORES EB12, EB15 E ILB11)

SERIE AWWPD,  
EXTENSIÓN MURAL  
OPCIONAL



SERIE ABWPD, PLACA  
POSTERIOR OPCIONAL  
36", 42" o 48" DE ANCHO  
(CUBIERTA PARA PARED DE ACERO INOXIDABLE  
CON ESTANTES PARA CALENTAMIENTO)



# 1. SELECCIÓN DEL TIPO DE INSTALACIÓN, INSTALACIÓN DE LAS TUBERÍAS Y CONEXIONES ELÉCTRICAS

## PRECAUCIÓN

Esta campana está prevista para patios o terrazas exteriores cubiertos. Como ocurre con todos los aparatos eléctricos, se debe proteger esta campana todo lo posible de la intemperie.

## ⚠ ADVERTENCIA

Esta campana no está pensada para usar con una parrilla de carbón.

Para esta campana puede usarse un ventilador interior o exterior o un ventilador en línea. Debe instalarse únicamente con los modelos de ventilador P12, ILB11, EB12 o EB15. No pueden utilizarse otros ventiladores (el ventilador se vende aparte).

Planifique el lugar y la forma en que instalará las tuberías.

Un tubo recto y corto permitirá que la campana funcione más eficazmente.

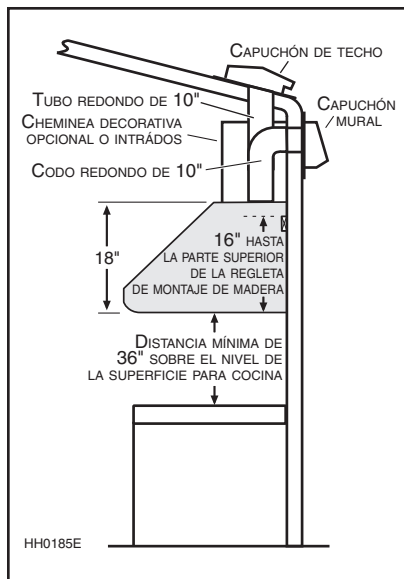
Instale una tubería redonda de acero galvanizado de 10", codos y un capuchón para tejado o mural, según el tipo de ventilador que utilice. Conecte la tubería metálica al capuchón y vaya retrocediendo hasta el lugar donde instalará la campana. Utilice cinta metálica de 2" para sellar las juntas.

Lleve un cable de alimentación de tres hilos hasta el lugar de la instalación.

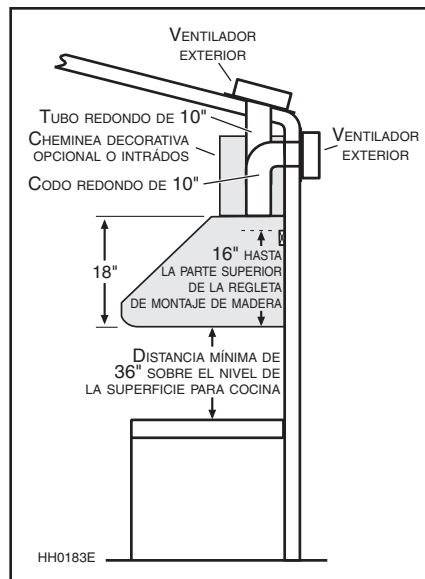
## ⚠ ADVERTENCIA

El cable de alimentación debe ser un circuito de derivación protegido con un interruptor del circuito de fallos de conexión a tierra.

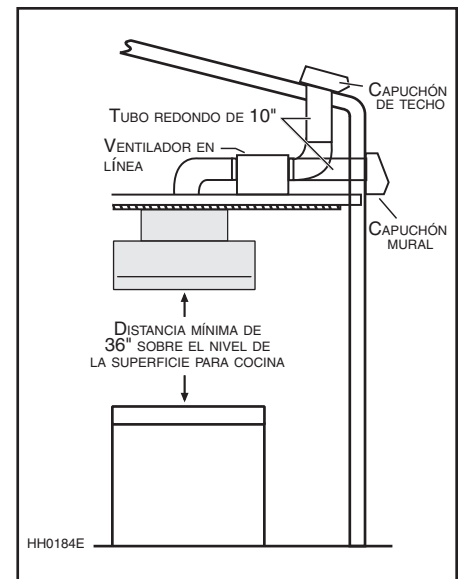
Para que la campana absorba mejor las impurezas creadas al cocinar, la base de la campana debe estar a una distancia de 36" de la superficie sobre la que se cocina.



**VENTILADOR INTERIOR DOBLE  
MODELO P12  
INSTALACIÓN HABITUAL DE LOS TUBOS**



**VENTILADOR EXTERIOR  
MODELO EB12 o EB15  
INSTALACIÓN HABITUAL DE LOS TUBOS**



**VENTILADOR EN LÍNEA MODELO ILB11  
INSTALACIÓN HABITUAL DE LOS TUBOS**

## 2. PREPARACIÓN DE LA INSTALACIÓN

### ⚠ ADVERTENCIA

**Se aconseja llevar lentes y guantes de seguridad para instalar, reparar o limpiar la campana.**

NOTA: Antes de comenzar la instalación, verificar el contenido de la caja. Si alguna pieza falta o está dañada, póngase en contacto con el fabricante.

Verifique que la caja contenga los siguientes elementos:

- Campana
  - Regleta de madera (en la parte trasera de la campana)
  - Manual de instalación
  - Accesorios:
    - 4 filtros con manijas
    - Bandeja para la grasa con manija
    - Bombillas halógenas protegidas (120 V, 50 W máx., MR16 con base GU10) (2 para los modelos de 36" y 42" de ancho, 3 para los modelos de 48" y 60" de ancho)
    - Bolsa de piezas: 3 conectores impermeables de hilos, 2 tornillos n.º 8 x 5/8", 6 tornillos de cabeza hexagonal n.º 10 x 2", 4 tornillos de cabeza plana n.º 10 x 2", 2 sujeciones murales, 6 arandelas 3/16" DI x 3/4" DE, 4 tuercas de acero inoxidable 10-32
- La bolsa debería incluir también las siguientes piezas que no deben usarse (deséchelas):  
2 abrazaderas de hilos LP16-AP, 2 tornillos n.º 8 x 3/8" revestidos de zinc, 8 tornillos de acero inoxidable n.º 8 x 3/8"

Piezas vendidas aparte:

- Conjunto de ventilador interior, modelo P12
  - Conjunto de ventilador en línea, modelo ILB11
  - Conjunto de ventilador exterior, modelo EB12 o EB15
  - Placa posterior de la serie ABWPD, 36", 42" o 48" de ancho (opcional)
  - Chimenea decorativa de la serie AEWPD, se instala sobre la campana (opcional)
  - Extensión mural de la serie AWWPD, 36", 42", 48" o 60" de ancho (opcional)
  - Cambios de sección, tubos, codos, dispositivos de cierre, capuchones murales y de techo
- Consulte la página 28 para ver la lista completa de opciones de aireación y los números de modelo.

NOTA: Proteja las encimeras y la superficie sobre la que cocina al instalar la campana.

## 3. INSTALACIÓN DE LA PLACA POSTERIOR (OPCIONAL)

**Serie ABWPD (sólo para campanas de 36", 42" y 48" de ancho)**

La placa posterior debe instalarse antes del revestimiento de la campana y la extensión mural (si debe ser instalada) ya que éste cubre los tornillos superiores de montaje de la placa (vea las instrucciones que vienen con la placa posterior).

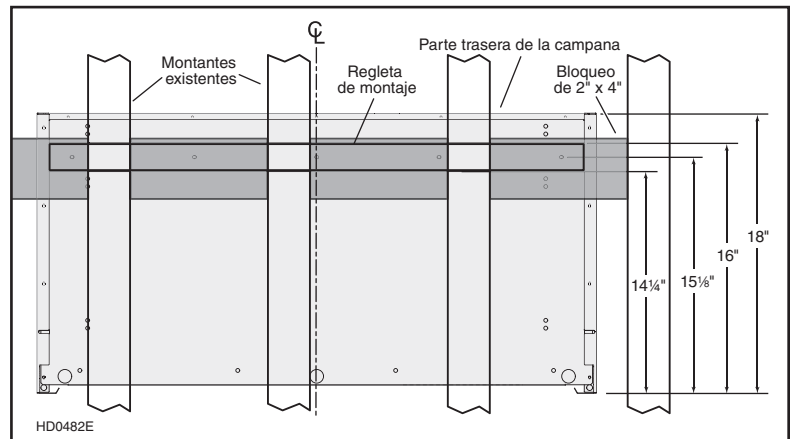
## 4. INSTALACIÓN DE LA REGLETA DE MONTAJE

### PRECAUCIÓN

**Dado el peso de la campana, compruebe que la regleta de montaje esté sujeta a todos los montantes disponibles de la pared; no sujete la regleta sólo en el panel mural.**

1. Se necesita una estructura de apoyo adecuada para soportar el peso de la campana. Construya la estructura mural con madera de 2" x 4" como mínimo.

2. Marque la ubicación del centro de la campana.
3. Mida y marque sobre la pared una línea a nivel por encima de la superficie sobre la que se cocina para colocar la regleta de montaje. Instale puntos de bloqueo de 2" x 4" entre los montantes donde pondrá la regleta. Consulte la ilustración de la derecha.
4. Saque la regleta de montaje de la parte trasera de la campana.
5. Coloque la regleta sobre la pared y fíjela a los montantes y puntos de bloqueo con los 4 tornillos de cabeza plana n.º 10 x 2" (incluidos en la bolsa de piezas).



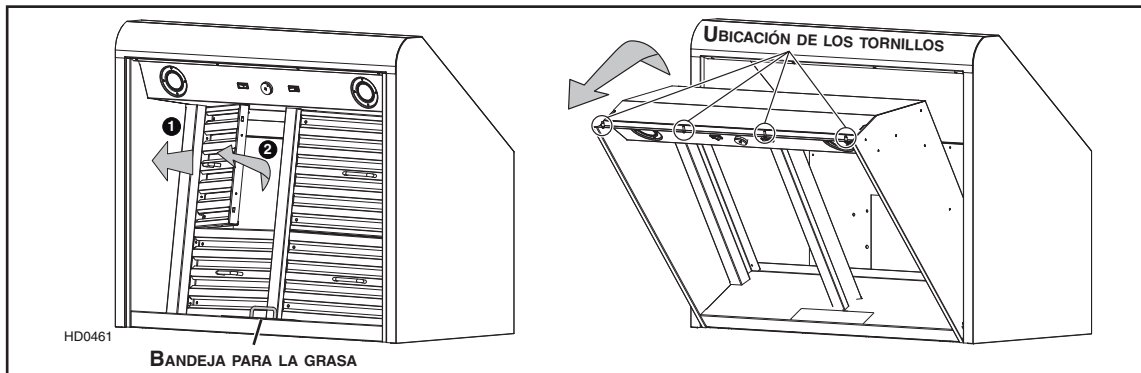
## 5. INSTALACIÓN DE LA EXTENSIÓN MURAL (OPCIONAL)

### Serie AWWPD

La extensión mural debe instalarse antes que la campana (vea las instrucciones que vienen con la extensión mural).

## 6. EXTRACCIÓN DE LOS FILTROS, DE LA BANDEJA PARA LA GRASA Y DEL CONJUNTO DEL PANEL

Retire la cinta de los filtros. Saque los filtros de la campana (como se muestra en la ilustración) y póngalos aparte. Retire la cinta de la bandeja para la grasa. Levante y tire de la bandeja para sacarla y póngala aparte. Retire los tornillos que sujetan el conjunto del panel (4, 5 o 6 en función del ancho de la campana) y póngalos aparte. Incline hacia delante el conjunto del panel.



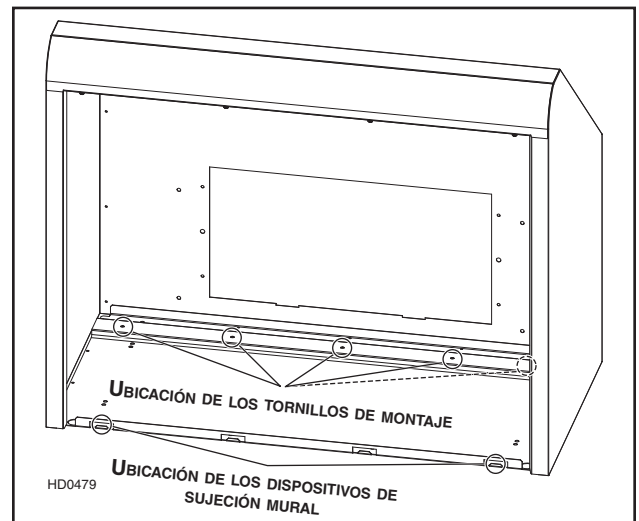
## 7. INSTALACIÓN DE LA CAMPANA

### ⚠ ADVERTENCIA

Sujete la campana hasta que esté bien fijada a la regleta de montaje.

Ponga la parte trasera de la campana sobre la regleta de montaje.

Sujete la campana a la regleta de montaje con 5 tornillos de cabeza hexagonal n.º 10 x 2" en los lugares que se muestran en la ilustración de la derecha. Taladre a través de los orificios de la parte interior trasera de la campana indicados dos orificios de 3/16" de diámetro en los lugares que se indican en la ilustración de la derecha. A continuación, instale ambos dispositivos de sujeción mural con los tornillos n.º 8 x 5/8" y con las arandelas provistas.



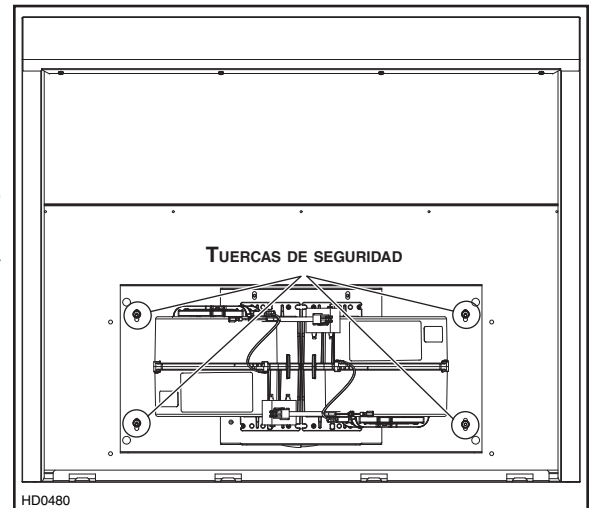
## 8. INSTALACIÓN DE LA PLACA DEL VENTILADOR

### PRECAUCIÓN

Instale la placa del ventilador con las 4 tuercas de seguridad 10-32 y las arandelas incluidas en la bolsa de piezas de la campana. Deseche las tuercas que vienen con la placa del ventilador.

Consulte las instrucciones que vienen con la placa del ventilador que haya elegido (se vende aparte) para mayor información sobre la instalación de la placa. Instale la placa del ventilador de manera que la caja de conexiones quede a su derecha cuando esté frente a la campana.

Conecte el tubo redondo de 10" a la placa del ventilador.



## 9. CONEXIÓN DEL CABLEADO

### ⚠ ADVERTENCIA

Riesgo de choque eléctrico. Las conexiones eléctricas debe hacerlas personal calificado de acuerdo con los códigos y normas aplicables. Antes de conectar los hilos, corte la corriente en el tablero eléctrico y bloquee los medios de desconexión para impedir que alguien dé la corriente accidentalmente.

Quite la tapa de la caja de cableado de la placa del ventilador y póngala aparte.

Conecte el hilo NEGRO con el NEGRO, el BLANCO con el BLANCO y sujete el VERDE o pelado al tornillo VERDE de tierra.

Vuelva a instalar la tapa de la caja de cableado.

#### INSTRUCCIONES SOBRE LOS CONECTORES IMPERMEABLES DE HILOS:

1. Pele una distancia de 3/8" en los hilos.
2. Ponga juntos los cables o hilos conductores deshilachados.
3. No los trence. Ponga los hilos pelados juntos, con los extremos a la misma altura, con los hilos trenzados más pequeños ligeramente más arriba que los hilos rígidos o trenzados más largos.
4. Enrosque el conector sobre los hilos empujando firmemente hasta que quede bien apretado. NO apriete demasiado.
5. Al introducir los hilos en los conectores, puede verterse algún producto sellante. Limpie el sellante sobrante en los conectores o alrededor de ellos. NO VUELVA A USAR EL SELLANTE.

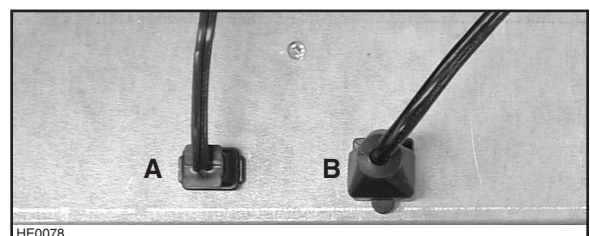
## 10. INSTALACIÓN DEL VENTILADOR

Consulte las instrucciones que vienen con el ventilador.

Una vez instalado el ventilador, enchufe el cable del ventilador (A) en la toma hembra y el cable de alimentación (B) en el conector macho dentro de la campana.

### ⚠ ADVERTENCIA

No enchufe un cable en el otro.



## 11. INSTALACIÓN DE LA CHIMENEA DECORATIVA (OPCIONAL)

### Serie AEWPD

Consulte las instrucciones que vienen con la chimenea decorativa.

## 12. REINSTALACIÓN DEL CONJUNTO DEL PANEL, BANDEJA Y FILTROS DE GRASA

### PRECAUCIÓN

Quite la película protectora de plástico que cubre los filtros antes de instalarlos.

1. Empuje hacia atrás, dentro de la campana, el conjunto del panel y fíjelo a la campana con los tornillos que quitó anteriormente (véase la etapa 5).
2. Vuelva a instalar la bandeja para la grasa.
3. Introduzca un lado del filtro en el canal lateral de la campana. Levante el otro lado hacia el centro de la campana e introduzca el riel de vertido de la grasa.

## 13. SUSTITUCIÓN DE LAS BOMBILLAS

Esta campana debe utilizar bombillas halógenas protegidas de tipo MR16, de 120 V y 50 W con base GU1 (incluidas). (2 para los modelos de 36" y 42" de ancho, 3 para los modelos de 48" y 60" de ancho.)

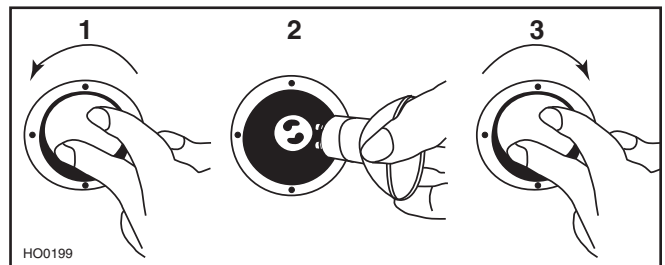
### ⚠ ADVERTENCIA

No tocar las bombillas durante o justo después de la utilización. Pueden causar quemaduras. Para prevenir el riesgo de lesiones corporales, instale solamente bombillas halógenas protegidas. Nunca instalar una bombilla dicroica o no concebida para luminarias empotradas o bombillas identificadas sólo para uso en dispositivos encerrados.

1. Para quitar las bombillas, empuje suavemente hacia arriba y gire en sentido antihorario para liberar el casquillo de sus ranuras.

NOTA: Para facilitar la extracción de las bombillas utilice un guante de caucho o una ventosa disponible en Best. Comuníquese con Servicio al cliente de Best en el teléfono 1-800-558-1711 para pedir esta herramienta (n.º de pieza: 99526707).

2. Instale las bombillas nuevas colocando los casquillos de las bombillas en sus ranuras, en los portalámparas.
3. Empuje suavemente hacia arriba y gire al mismo tiempo en el sentido horario hasta que queden bien afianzadas.



## 14. CUIDADO

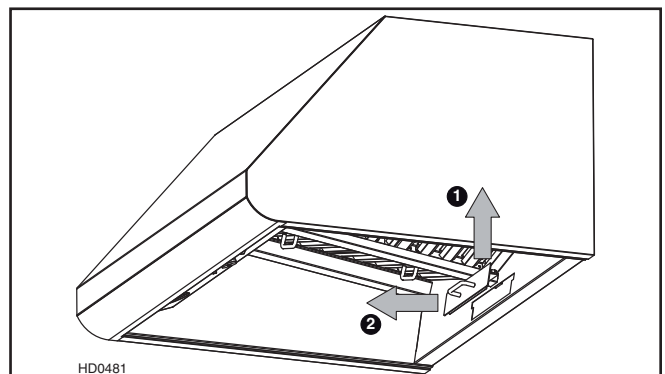
### Filtros

Los filtros deben limpiarse con frecuencia. Utilice una disolución de detergente con agua templada. Límpielos con mayor frecuencia si su tipo de cocina genera más grasa (alimentos fritos o cocina con wok). Quítelos empujándolos hacia el lado de la campana y girándolos hacia abajo.

Los filtros pueden lavarse en el lavavajillas. Nettoyer les filtres fabriqués entièrement de métal au lave-vaisselle à l'aide d'un détergent sans phosphate. Lave los filtros totalmente metálicos en el lavavajillas con un detergente sin fosfato. Si se usa un detergente con fosfato, el filtro puede decolorarse, algo que también puede ocurrir según el tipo de agua. En ninguno de los dos casos ello afecta el desempeño de los filtros. La decoloración no está cubierta por la garantía.

### Bandeja para la grasa

La bandeja para la grasa debe vaciarse y limpiarse con frecuencia. Sáquela de la campana (como se ve en la ilustración de la derecha) y utilice una disolución de detergente con agua templada. Límpiela con mayor frecuencia si su tipo de cocina genera más grasa (alimentos fritos o cocina con wok). Deje que la bandeja seque completamente antes de volver a instalarla en la campana.





## 14. CUIDADO (CONTINUACIÓN)

### Riel de vertido de la grasa

El riel de vertido de la grasa debe limpiarse con frecuencia. Utilice para ello un trapo limpio mojado en una disolución de detergente con agua templada. Límpielo con mayor frecuencia si su tipo de cocina genera más grasa (alimentos fritos o cocina con wok).

### Limpieza del ventilador

Utilice un aspirador para limpiarlo. No lo sumerja en agua.

### Limpieza de la campana

Limpieza del acero inoxidable:

#### Debe hacerse:

- Limpiar regularmente las superficies con un trapo limpio humedecido con una mezcla de agua templada y jabón suave o detergente para la vajilla.
- Limpiar siempre en la dirección de las líneas originales de pulido del acero.
- Enjuagar siempre con agua limpia (2 o 3 veces) después de limpiar. Seque completamente.
- También puede utilizar un limpiador doméstico especial para acero inoxidable.

#### No debe hacerse:

- Utilizar un estropajo de acero o acero inoxidable u otro tipo de rasquetas para quitar la suciedad resistente.
- Utilizar limpiadores fuertes o abrasivos.
- Dejar que la suciedad se acumule.
- Dejar que el polvo del yeso u otros residuos de la construcción manchen la campana. Si efectúa obras de construcción o renovación, cubra la campana para que no se manche la superficie de acero inoxidable.

#### Al escoger un detergente, evite:

- Los limpiadores que contienen **blanqueador** (lejía), ya que dañarán el acero inoxidable.
- Los productos que contengan **cloruro, fluoruro, yoduro y bromuro**, ya que deterioran las superficies rápidamente.
- Los productos combustibles que se emplean para la limpieza, como **acetona, alcohol, éter, bencol**, etc., ya que son altamente explosivos y nunca deberían estar cerca de una cocina.

## 15. FUNCIONAMIENTO

### VENTILADOR

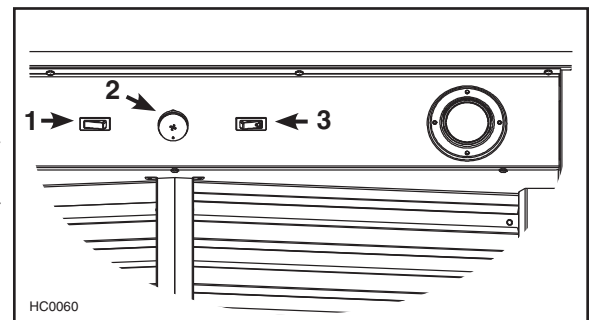
El ventilador se maneja con dos controles.

Utilice el interruptor oscilante (1) para poner en marcha y detener el ventilador. Al ponerlo en marcha, el interruptor se ilumina en rojo y el ventilador funciona a la velocidad que se haya elegido con el botón de control de velocidad (2).

Gire el botón de control de velocidad en el sentido de las agujas de un reloj para incrementar la velocidad del ventilador y en sentido contrario para disminuirla.

### LUCES (HALÓGENAS)

Utilice el interruptor oscilante (3) para encender y apagar las luces halógenas.



- 1) Interruptor del ventilador
- 2) Botón de control de la velocidad del ventilador
- 3) Interruptor de las luces halógenas

### HEAT SENTRY™

Esta campana está equipada con un termostato Heat Sentry™. Este dispositivo pone en marcha el ventilador en la velocidad alta cuando detecta un calor excesivo por encima de la superficie sobre la que se cocina.

- 1) Si el ventilador está apagado, se pondrá en marcha en la velocidad alta.
- 2) Si el ventilador ya está funcionando, pasará a la velocidad alta.

### ⚠ ADVERTENCIA

**El termostato HEAT SENTRY puede poner en marcha el ventilador cuando sobre la cocina hay fuego u otra fuente de calor excesiva, incluso si la campana está apagada. En tal caso, es imposible apagar el ventilador con el interruptor. Para apagarlo, hágalo en el tablero eléctrico principal.**

Cuando la temperatura baje a un nivel normal, el ventilador volverá a su configuración original.

## 16. GARANTÍA

### Garantía limitada DE CINCO AÑOS PARA PRODUCTOS BEST®

**Periodo de garantía y exclusiones:** Broan-NuTone LLC (la «Compañía») garantiza al consumidor quien compra su producto («Usted») que el producto (el «Producto») será libre de defectos importantes de fabricación y de materiales por una duración de cinco (5) años a partir de la fecha de compra (o por una duración más larga si la ley aplicable lo exige) o un periodo de dos (2) años a partir de la fecha de prestación de un servicio sobre el Producto.

El periodo de garantía limitada para las piezas de repuesto proporcionadas por la Compañía y los Productos reparados o reemplazados bajo esta garantía limitada será el resto del periodo de garantía original (o un periodo más largo si la ley aplicable lo exige).

**ESTA GARANTÍA EXCLUYE LOS ARRANCADORES DE LÁMPARAS FLUORESCENTES, LOS TUBOS, LAS BOMBILLAS, LOS FUSIBLES, LOS FILTROS, LOS CONDUCTOS, LAS TAPAS PARA TECHO, LAS TAPAS PARA PARED Y LOS OTROS ACCESORIOS PARA CONDUCTOS.** También excluye: a) el mantenimiento normal, b) el uso y desgaste normales, c) los productos y las piezas que han sido objeto de un uso indebido, anormal o negligente, un maltrato, un accidente, un mantenimiento, almacenamiento o reparación inadecuados (excepto en caso de reparación por la Compañía), d) los daños causados por una instalación inadecuada, o por una instalación o un uso contrario a las recomendaciones o instrucciones, e) los daños causados por el contacto con el aire salino, f) los daños que ocurran durante el transporte, g) el desgaste normal del acabado, h) los Productos que son objeto de un uso comercial o no residencial, i) los daños causados por el fuego, una inundación u otro desastre natural o j) los Productos a los cuales se les haya alterado, desfigurado o removido el número de serie. Esta garantía solo cubre los Productos vendidos a consumidores de Norteamérica.

Esta garantía substituye todas las garantías anteriores y, sin perjuicio de la ley aplicable, no se puede transferir por el comprador original.

**Ninguna otra garantía:** Esta garantía limitada enuncia la única obligación de la Compañía y el único recurso que tiene Usted en cuanto a los Productos defectuosos. Las garantías enunciadas arriba son exclusivas y se anteponen a todas las otras garantías y condiciones, ya sean expresas o implícitas. **EN LA MEDIDA MÁXIMA EN QUE LO PERMITA LA LEY APLICABLE, LA COMPAÑÍA RENUNCIA A TODAS LAS OTRAS GARANTÍAS Y CONDICIONES EXPRESAS O IMPLÍCITAS POR LA LEY Y LAS EXCLUYE, INCLUYENDO, ENTRE OTRAS, LAS GARANTÍAS DE COMERCIALIZACIÓN Y LAS DE IDONEIDAD PARA UN PROPÓSITO PARTICULAR.** En la medida en que la ley aplicable prohíba la exclusión de las garantías o condiciones implícitas, la duración de cualquier garantía o condición implícita aplicable se limita al periodo indicado para la garantía expresa mencionada arriba. Ciertas jurisdicciones (incluyendo a veces la provincia de Quebec o ciertos estados de los Estados Unidos) prohíben la restricción de la duración de las garantías implícitas, así que la restricción mencionada arriba podría no aplicarse a Usted. Las descripciones orales o escritas del Producto tienen como único propósito identificar al Producto y no se deben interpretar como una garantía expresa.

Cuando sea posible, cada disposición de esta garantía limitada se debe interpretar de manera que tenga plena validez y efectos legales bajo la ley aplicable, pero en el caso de que se declare prohibida o nula una disposición, ésta será nula solo en la medida en que lo prevea esta prohibición o nulidad, sin efecto para los otros elementos de esta disposición o las otras disposiciones de esta garantía limitada.

**Recurso:** Durante el periodo de garantía limitada aplicable, la Compañía, según su criterio, proporcionará piezas de repuesto o servicios de reparación o reemplazo sin cargo alguno para cualquier Producto o pieza de Producto, en la medida en que la Compañía constata a) que esta garantía cubre este Producto o esta pieza bajo un uso y mantenimiento normales y b) que la garantía queda incumplida. La Compañía le enviará el Producto reparado, el producto de reemplazo o las piezas de repuesto sin cargo alguno. Usted tendrá que pagar todos los costos de desinstalación, reinstalación y envío así como los otros cargos de transporte relacionados con el envío del Producto o la pieza a la Compañía. Si Usted debe enviar el Producto o la pieza a la Compañía, conforme a las instrucciones de la misma, Usted tendrá que empaquetar el Producto o la pieza correctamente; la Compañía no es responsable de los daños que ocurran durante el transporte. La Compañía se reserva el derecho de utilizar Productos o piezas reacondicionados, renovados, reparados o remanufacturados para la reparación o el reemplazo bajo esta garantía. Estos Productos y piezas serán comparables en cuanto a la función y el rendimiento con el Producto o la pieza original y serán garantizados por la duración restante del periodo de garantía original (o por una duración más larga si la ley aplicable lo exige). La Compañía se reserva el derecho, según su exclusivo criterio, de reembolsar el monto que Usted haya realmente pagado por el Producto. Si el Producto o la pieza ya no está disponible, la Compañía puede, según su exclusivo criterio, reemplazarlo con un producto similar de valor igual o superior. Esto constituye su único y exclusivo recurso en caso de incumplimiento de esta garantía limitada.

**Exclusión de los daños: LA OBLIGACIÓN DE LA COMPAÑÍA DE PROPORCIONAR PIEZAS DE REPUESTO O DE REPARAR O REEMPLAZAR EL PRODUCTO, SEGÚN SU CRITERIO, ES EL ÚNICO Y EXCLUSIVO RECURSO QUE TIENE USTED BAJO ESTA GARANTÍA LIMITADA Y LA ÚNICA OBLIGACIÓN DE LA COMPAÑÍA. ÉSTA NO SERÁ RESPONSABLE DE LOS DAÑOS INCIDENTALES, INDIRECTOS, CONSECUENTES O ESPECIALES CAUSADOS DIRECTAMENTE O INDIRECTAMENTE POR EL PRODUCTO, SU USO O SU RENDIMIENTO.**

Puesto que ciertas jurisdicciones prohíben la exclusión o restricción de los daños incidentales o consecuentes, la exclusión o restricción mencionada arriba podría no aplicarse a Usted. Esta garantía le otorga derechos legales específicos, y Usted también podría tener otros derechos, los cuales pueden ser diferentes según la jurisdicción. Las renunciaciones, exclusiones y restricciones de responsabilidad bajo esta garantía no se aplican en la medida en que lo prohíba la ley aplicable. Esta garantía solo cubre el reemplazo o la reparación de las piezas o los Productos defectuosos al sitio de negocio principal de la Compañía; los gastos de viaje y estancia relacionados con los servicios de campo están excluidos. Cualquier asistencia proporcionada u obtenida para Usted por la Compañía y que no está cubierta por las condiciones, restricciones o exclusiones de esta garantía limitada no constituye una renuncia a estas condiciones, restricciones y exclusiones, y la prestación de dicha asistencia no prolongará o restablecerá la garantía.

La Compañía no le reembolsará los gastos que Usted haya hecho por la reparación o el reemplazo de un Producto defectuoso, excepto si Usted ha previamente recibido el permiso escrito de la Compañía por ellos.

**Cómo obtener el servicio de garantía:** Para tener derecho al servicio de garantía, Usted debe a) informar la Compañía a la dirección o al número de teléfono escrito aquí abajo dentro de siete (7) días después de que haya descubierto el defecto cubierto, b) dar el número de serie y los datos de identificación de la pieza y c) describir la naturaleza de cualquier defecto del Producto o de la pieza. Cuando solicite el servicio de garantía, Usted tiene que presentar una prueba de la fecha de compra original. Si no puede proporcionar una copia de la versión escrita original de la garantía limitada, las condiciones de la versión más reciente de la garantía limitada de la Compañía para su producto se aplicarán.

### ESPECIFICACIONES DEL PRODUCTO

Todas las ilustraciones y las especificaciones en este catálogo están establecidas según la información que era la más reciente en el momento en cual fue producido. Broan-NuTone LLC y BEST® se reservan el derecho de cambiar, en cualquier momento y sin previo aviso, los precios, colores, materiales, productos, especificaciones y modelos y el lugar de fabricación, así como de parar la producción de un modelo o producto.

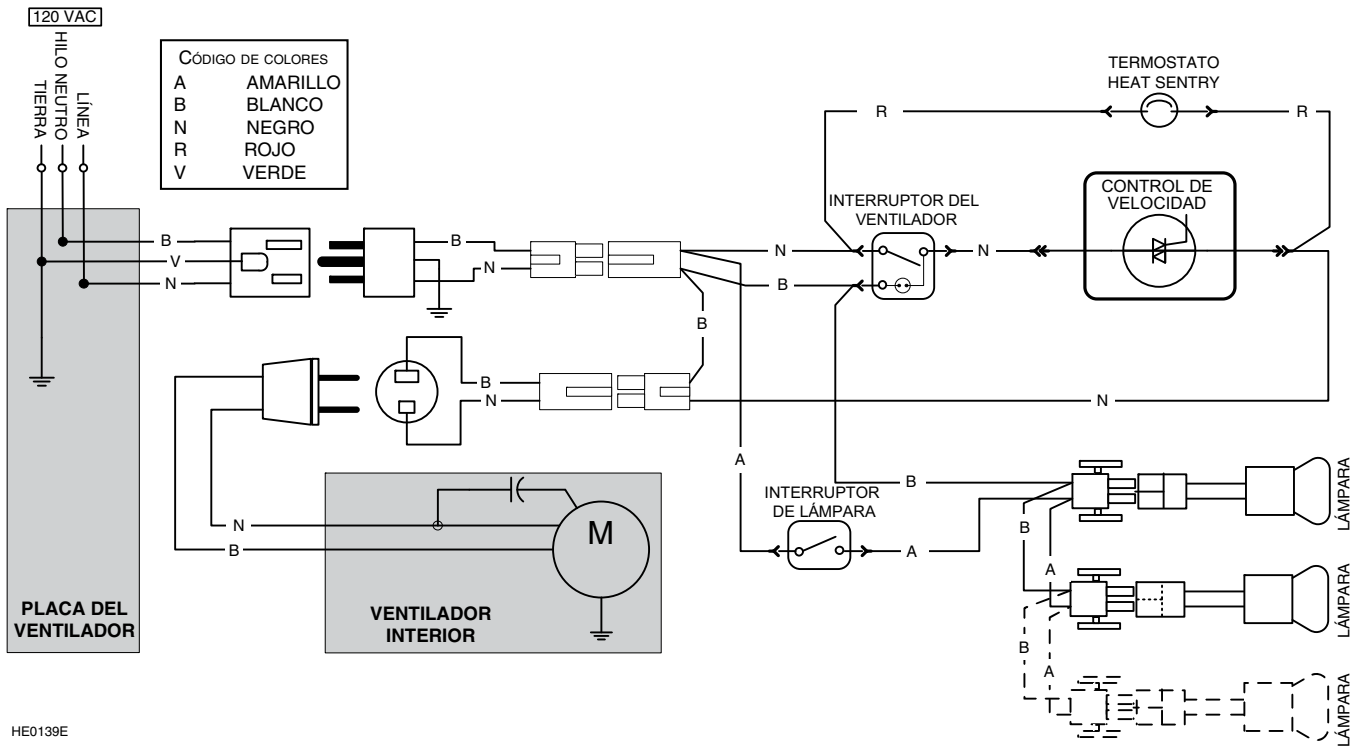
Best

Broan-NuTone, LLC: 926 W. State Street, Hartford, WI 53207 1 800 637-1453

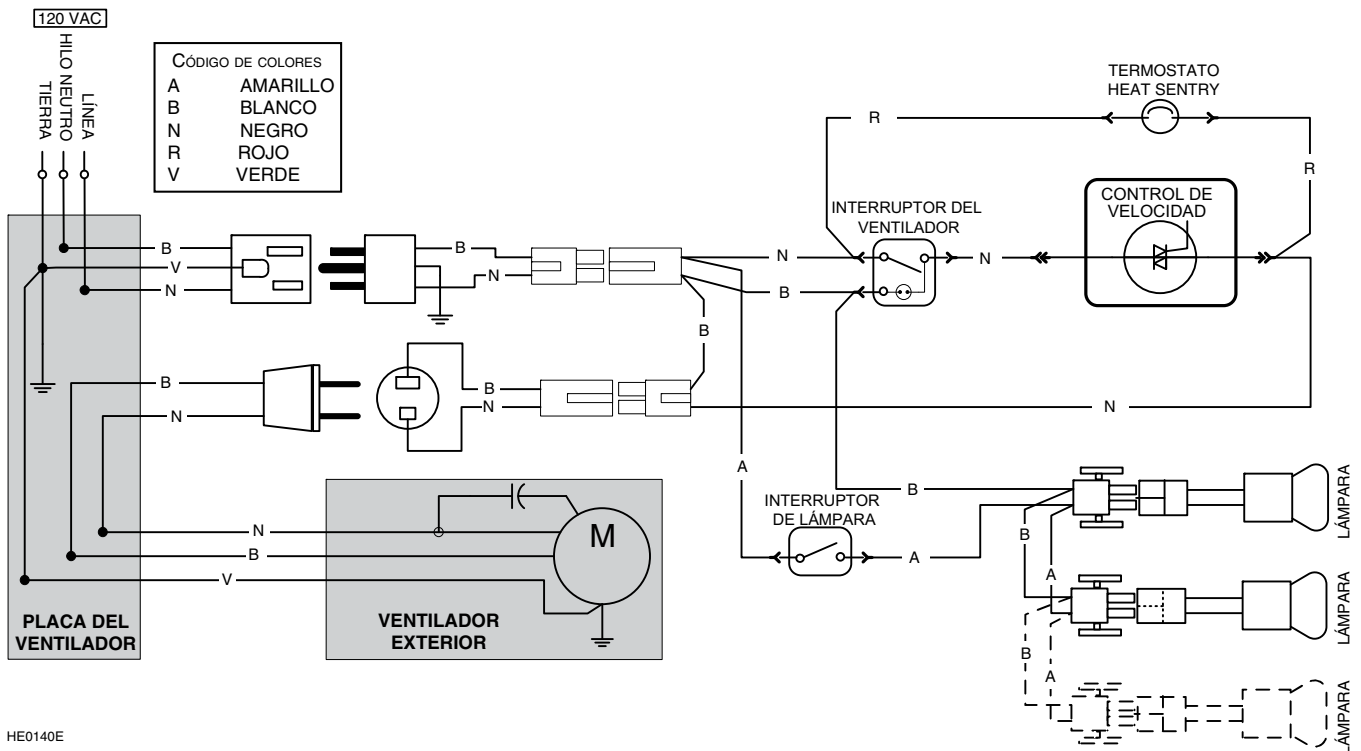
Best®, 550, boul. Lemire, Drummondville (Québec), Canada (1 866 737-7770) [www.bestrangehoods.com](http://www.bestrangehoods.com)

# 17. DIAGRAMAS ELÉCTRICOS

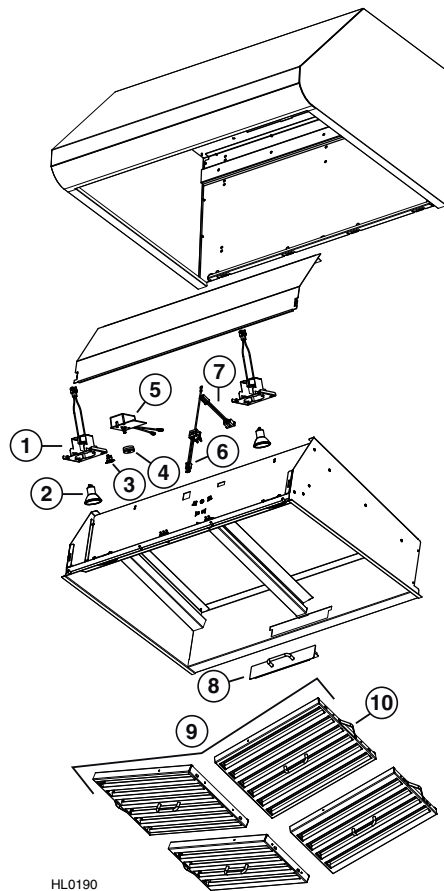
## Ventilador interior



## Ventilador exterior o en línea



## 18. PIEZAS



HL0190

N.º	N.º DE PIEZA	DESCRIPCIÓN	CTD (ANCHURA DE LA CAMPANA)			
			36"	42"	48"	60"
1	SV60887	CONJUNTO DE LA LÁMPARA	2	2	3	3
2	SV05921	BOMBILLA HALÓGENA PROTEGIDA (120 V, 50 W, BASE GU10)	2	2	3	3
3	SV03435	TERMOSTATO HEAT SENTRY™	1	1	1	1
4	SV08549	BOTÓN DEL VENTILADOR	1	1	1	1
5	SV03501	CONTROL DE VELOCIDAD	1	1	1	1
6	SV13924	CONECTOR MACHO	1	1	1	1
7	SV13923	CONECTOR HEMBRA	1	1	1	1
8	SV60879	BADEJA PARA LA GRASA	1	1	1	1
9	SV60675	FILTRO 11.84" x 15.125" (MANIJA INCLUIDA)	2	2	2	2
	SV60716	FILTRO 8.84" x 15.125" (MANIJA INCLUIDA)	2	2	2	2
10	SV08337	RESORTE DEL FILTRO	4	4	4	4
*	SV02563	INTERRUPTOR OSCILANTE DE LA LUZ	1	1	1	1
*	SV03503	INTERRUPTOR OSCILANTE DEL VENTILADOR	1	1	1	1
*	SV05869	LOGOTIPO DE BEST	1	1	1	1
*	SV20611	GUÍA DE INSTALACIÓN	1	1	1	1
*	SV04216	BOLSA DE PIEZAS: 3 CONECTORES IMPERMEABLES DE HILOS, 2 TORNILLOS N.º 8 x 5/8", 6 TORNILLOS DE CABEZA HEXAGONAL N.º 10 x 2", 4 TORNILLOS DE CABEZA PLANA N.º 10 x 2", 2 SUJECIONES MURALES, 6 ARANDELAS 3/16" DI x 3/4" DE, 4 TUERCAS DE ACERO INOXIDABLE 10-32, 2 ABRAZADERAS DE HILOS LP16-AP, 2 TORNILLOS N.º 8 x 3/8" REVESTIDOS DE ZINC, 8 TORNILLOS DE ACERO INOXIDABLE N.º 8 x 3/8"	1	1	1	1

\* NO SE MUESTRAN.

### SUSTITUCIÓN DE PIEZAS Y REPARACIÓN

Para que la unidad se conserve en buen estado, debe usar repuestos genuinos de Broan-NuTone únicamente. Estas piezas se han diseñado especialmente para cada unidad y se han fabricado conforme a las normas de certificación aplicables y un elevado nivel de seguridad. El uso de repuestos de otros fabricantes podría causar daños graves y reducir radicalmente el desempeño de la unidad, causando así fallas prematuras. Broan-NuTone también aconseja ponerse en contacto con un taller de reparación homologado por Broan-NuTone para todos los repuestos y reparaciones.