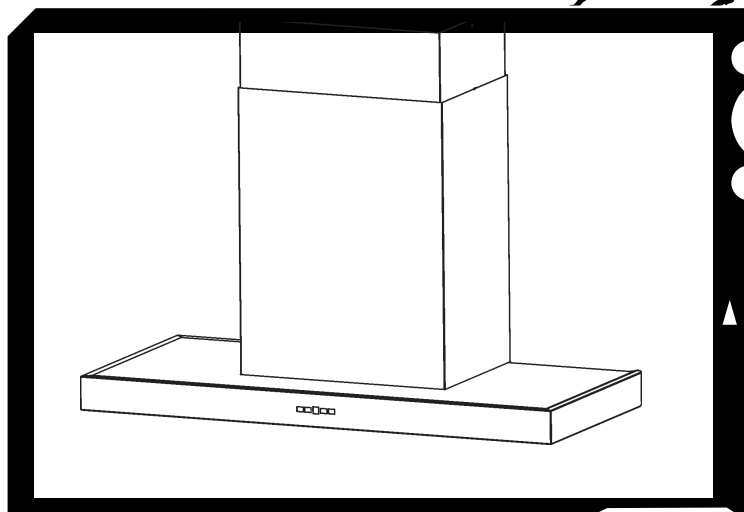


# best®



## Model WPB9

ENGLISH.....	3
FRANÇAIS.....	18
ESPAÑOL.....	35

In USA - BEST Hartford, Wisconsin

In CANADA - BEST Drummondville, QC, Canada

REGISTER YOUR PRODUCT ONLINE AT : [www.BestRangeHoods.com/register](http://www.BestRangeHoods.com/register)  
For additional Information visit [www.BestRangeHoods.com](http://www.BestRangeHoods.com)

# READ AND SAVE THESE INSTRUCTIONS

 **INTENDED FOR DOMESTIC COOKING ONLY** 

## **WARNING**

**TO REDUCE THE RISK OF FIRE, ELECTRIC SHOCK, OR INJURY TO PERSONS, OBSERVE THE FOLLOWING:**

1. Use this unit only in the manner intended by the manufacturer. If you have questions, contact the manufacturer at the address or telephone number listed in the warranty.
2. Before servicing or cleaning unit, switch power off at service panel and lock service panel to prevent power from being switched on accidentally. When the service disconnecting means cannot be locked, securely fasten a prominent warning device, such as a tag, to the service panel.
3. Installation work and electrical wiring must be done by a qualified person(s) in accordance with all applicable codes and standards, including fire-rated construction codes and standards.
4. Sufficient air is needed for proper combustion and exhausting of gases through the flue (chimney) of fuel burning equipment to prevent backdrafting. Follow the heating equipment manufacturer's guidelines and safety standards such as those published by the National Fire Protection Association (NFPA), and the American Society for Heating, Refrigeration and Air Conditioning Engineers (ASHRAE), and the local code authorities.
5. When cutting or drilling into wall or ceiling, do not damage electrical wiring and other hidden utilities.
6. Ducted fans must always be vented to the outdoors.
7. Do not use this unit with any separate solid-state speed control device.
8. To reduce the risk of fire, use only steel ductwork.

### **GROUNDING INSTRUCTIONS**

This appliance must be grounded. In the event of an electrical short circuit, grounding reduces the risk of electrical shock by providing an escape wire for the electric current.

**WARNING** - Improper grounding can result in a risk of electric shock.

Consult a qualified electrician if the grounding instructions are not completely understood, or if doubt exists as to whether the appliance is properly grounded.

### **TO REDUCE THE RISK OF A RANGE TOP GREASE FIRE:**

- A. Never leave surface units unattended at high settings. Boilovers cause smoking and greasy spillovers that may ignite. Heat oils slowly on low or medium settings.
- B. Always turn hood ON when cooking at high heat or when flambing food (i.e. Crepes Suzette, Cherries Jubilee, Peppercorn Beef Flambe').
- C. Clean ventilating fans frequently. Grease should not be allowed to accumulate on fan or filter.
- D. Use proper pan size. Always use cookware appropriate for the size of the surface element.

## **WARNING**

### **TO REDUCE THE RISK OF INJURY TO PERSONS IN THE EVENT OF A RANGE TOP GREASE FIRE, OBSERVE THE FOLLOWING:\***

1. **SMOTHER FLAMES** with a close-fitting lid, cookie sheet, or metal tray, then turn off the burner. **BE CAREFUL TO PREVENT BURNS.** If the flames do not go out immediately, **EVACUATE AND CALL THE FIRE DEPARTMENT.**
  2. **NEVER PICK UP A FLAMING PAN** - You may be burned.
  3. **DO NOT USE WATER**, including wet dishcloths or towels - violent steam explosion will result.
  4. Use an extinguisher **ONLY** if:
    - A. You know you have a Class ABC extinguisher and you already know how to operate it.
    - B. The fire is small and contained in the area where it started.
    - C. The fire department is being called.
    - D. You can fight the fire with your back to an exit.
- \* Based on "Kitchen Fire Safety Tips" published by NFPA.

## **CAUTION**

1. For indoor use only.
2. To reduce risk of fire and to properly exhaust air, be sure to duct air outside. Do not vent exhaust air into spaces within walls or ceilings or into attics, crawl spaces, or garages.
3. Take care when using cleaning agents or detergents.
4. Avoid using food products that produce flames under the Range Hood.
5. For general ventilating use only. Do not use to exhaust hazardous or explosive materials and vapors.
6. To avoid motor bearing damage and noisy and/or unbalanced impellers, keep drywall spray, construction dust, etc. off power unit.
7. Your hood motor has a thermal overload which will automatically shut off the motor if it becomes overheated. The motor will restart when it cools down. If the motor continues to shut off and restart, have the hood serviced.
8. For best capture of cooking impurities, the bottom of the hood should be a minimum of 24" and a maximum of 36" above the cooking surface.
9. Two installers are recommended because of the large size and weight of this hood.
10. This product is equipped with a thermostat which may start blower automatically. To reduce the risk of injury and to prevent power from being switched on accidentally, switch power off at service panel and lock or tag service panel.
11. Please read specification label on product for further information and requirements.

## **CLEANING AND MAINTENANCE**

---

Proper maintenance of the Range Hood will assure proper performance of the unit.

### **Motor**

The motor is permanently lubricated and never needs oiling. If the motor bearings make excessive or unusual noise, replace the motor with the exact service motor. The impeller should also be replaced.

### **Grease Filters**

The grease filters should be cleaned frequently. Use a warm detergent solution. Grease filters are dishwasher safe.

Clean all-metal filters in the dishwasher using a non-phosphate detergent. Discoloration of the filter may occur if using phosphate detergents, or as a result of local water conditions - but this will not affect filter performance. This discoloration is not covered by the warranty. See "INSTALL FILTERS" section for removal and installation instructions.

### **Stainless Steel Cleaning**

#### **DO:**

- Regularly wash with clean cloth or rag soaked with warm water and mild soap or liquid dish detergent.
- Always clean in the direction of original polish lines.
- Always rinse well with clear water (2 or 3 times) after cleaning. Wipe dry completely.
- You may also use a specialized household stainless steel cleaner.

#### **DON'T:**

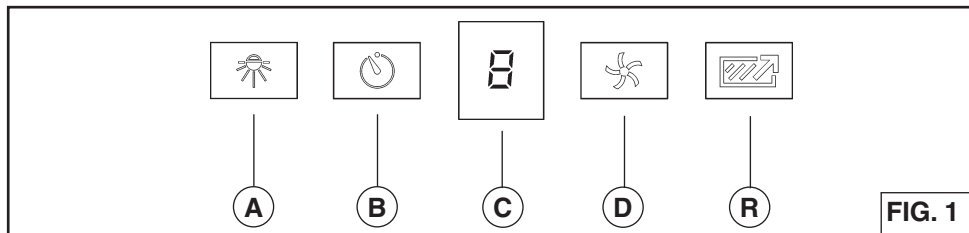
- Use any steel or stainless steel wool or any other scrapers to remove stubborn dirt.
- Use any harsh or abrasive cleansers.
- Allow dirt to accumulate.
- Let plaster dust or any other construction residues reach the hood. During construction/renovation, cover the range hood to make sure no dust sticks to the stainless steel surface.

#### **Avoid: When choosing a detergent**

- Any cleaners that contain bleach will attack stainless steel
- Any products containing: chloride, fluoride, iodide, bromide will deteriorate surfaces rapidly.
- Any combustible products used for cleaning such as acetone, alcohol, ether, benzol, etc., are highly explosive and should never be used close to a range.

# OPERATION

## Controls (Fig.1)



**Button A** = turns the lights on/low/high/off.

**Button B** = Activates/Deactivates the delay-off feature. Press once (when blower is on) to activate the delay-off feature. The selected speed level that is displayed in display "C" will blink when this feature is activated. After 10 minutes, the blower will then turn off. Delay can be deactivated at any time by pressing the button again.

**Display C** = Indicates the selected speed of the blower 1, 2, 3, or b for boost. "." indicates the need to clean the grease filter.

**Button D** = Turns on the blower. Hood will turn on to the last speed selected. The blower speed will change each time the button is pushed (from 1 to "b"). To turn the blower off, press and hold button for approximately 2 seconds.

**Button R** = Filter clean indicator reset. Press and hold for 2 seconds to reset the indicator.

## HEAT SENTRY™

Your hood is equipped with a HEAT SENTRY™ thermostat. This thermostat is a device that will turn on or speed up the blower if it senses excessive heat above the cooking surface.

1) If blower is OFF - it turns blower ON to HIGH speed.

2) If blower is ON at a lower speed setting - it turns blower up to HIGH speed.

When the temperature level drops to normal, the blower will return to its original setting.

## WARNING

The HEAT SENTRY thermostat can start the blower even if the hood is turned OFF. When this occurs, it is impossible to turn the blower OFF with its switch. If you must stop the blower, do it from the main electrical panel.

## REMOTE CONTROL:

An optional ACR Series remote control (purchase separately) can be used to operated the range hood.

## HALOGEN BULBS

This range hood requires 4 halogen bulbs (Type T4, 120 Volt, 25 Watt Max, G9 Base).

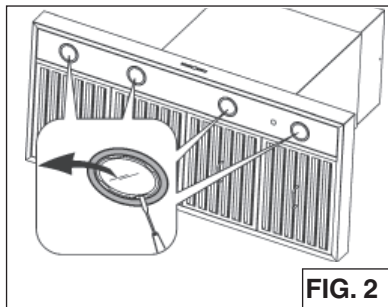
**WARNING:** Always switch off the electrical supply before carrying out any operation on the appliance.

To change bulbs:

1. Open the cover by gently prying from proper slots (Fig.2).
2. Remove the bulb by pulling sideways (DO NOT ROTATE).

**CAUTION:** Bulb may be hot.

3. Replace with Type T4, 120 Volt, 25 Watt Max, G9 Base halogen bulbs. Do not touch replacement bulbs with bare hands!

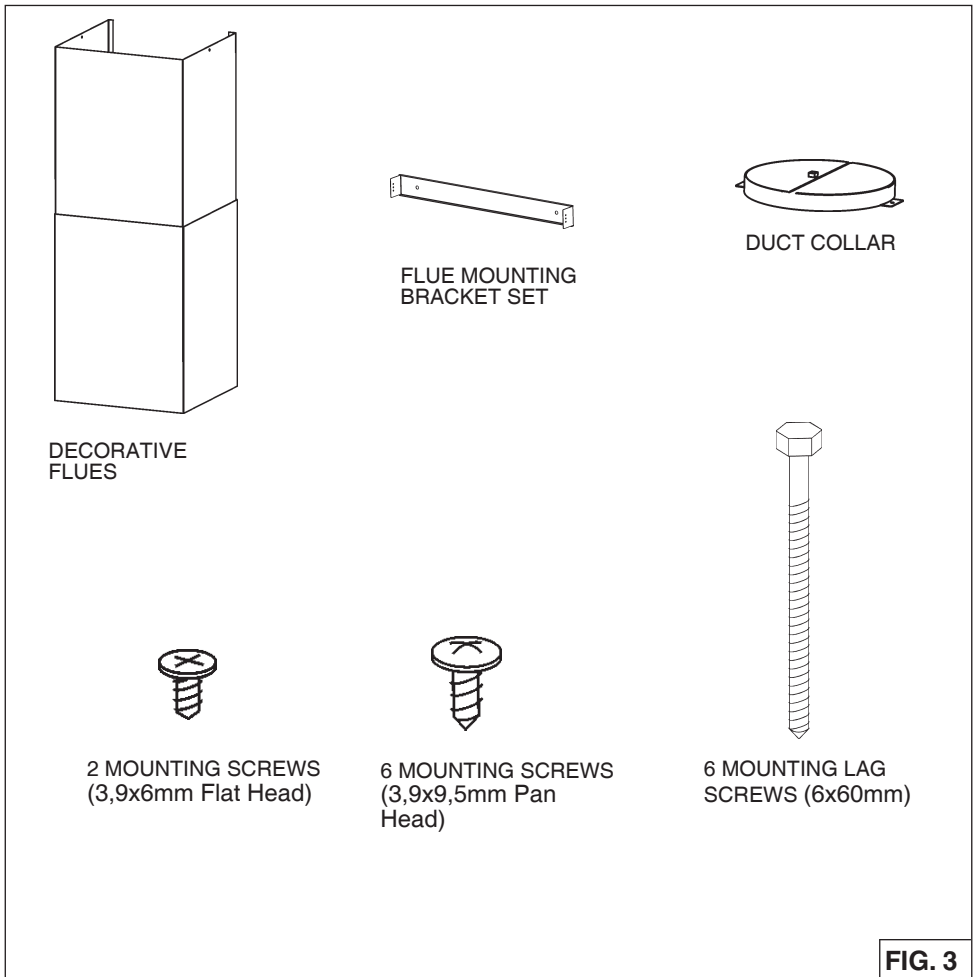


## **PREPARE THE HOOD**

Unpack hood and check contents.

You should receive:

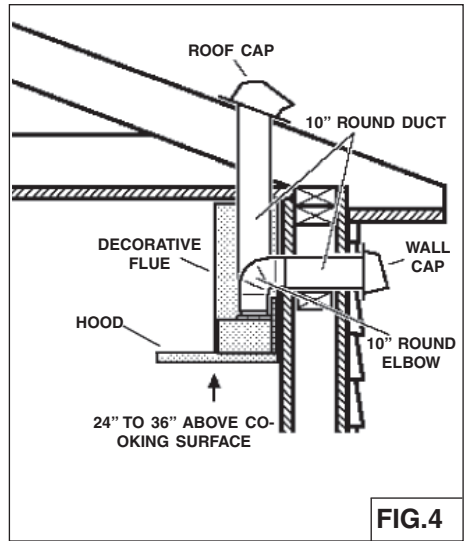
- 1 - Hood
- 1 - Decorative Flues
- 1 - Parts Bag (080811032) containing:
  - 1 - Duct Collar
  - 6 - Mounting Screws (3,9 x 9,5mm Pan Head)
  - 2 - Mounting Screws (3,9 x 6mm Flat Head)
  - 6 - Mounting Lag Screws (6 x 60mm)
- 1 - Flue Mounting Bracket Set
- 1 - Installation Instructions



## INSTALL THE DUCTWORK

**NOTE:** To reduce the risk of fire, use only metal ductwork.

1. Decide where the ductwork will run between the hood and the outside.
2. A straight, short duct run will allow the hood to perform most efficiently.
3. Long duct runs, elbows, and transitions will reduce the performance of the hood. Use as few of them as possible.
4. Install a roof or wall cap. Connect 10" round metal ductwork to cap and work back towards hood location. Use duct tape to seal the joints between ductwork sections (Fig.4).



## MOUNT ELECTRICAL PLATE

Fix the electrical plate with 4 screws (3.9x9.5mm) to the hood, the screws are located in the Hardware Package (Fig. 5).

## INSTALL THE HOOD

Remove the plastic protective film from all exterior surfaces, decorative flues and filters, prior to final installation.

1. Construct wood wall framing that is flush with interior surface of wall studs (Fig. 6).

Make sure:

- a) the framing is centered over installation location.
  - b) the height and width of the framing will allow the hood to be secured to the framing within the dimensions shown in Fig.8.
2. Install the (2) 6 x 60mm screws for the top of the hood at the locations shown in Fig.7. Use the two upper keyhole slots, do not completely tighten the screws.
  3. Hang the hood onto the screws.
  4. Secure (2) 6 x 60mm screws at the lower locations of the hood. Tighten all (4) screws.

Notes:

- a. Minimum hood distance above cook top must not be less than 24". A maximum of 36" above cook top is highly recommended for best capture of cooking impurities. Distances over 36" are at the installer and the users discretion; and if ceiling height and flue length permit.

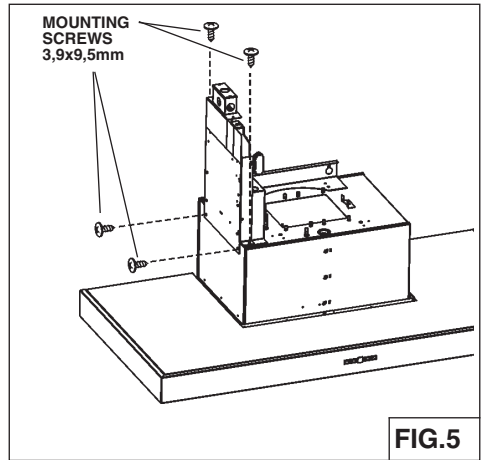


FIG.5

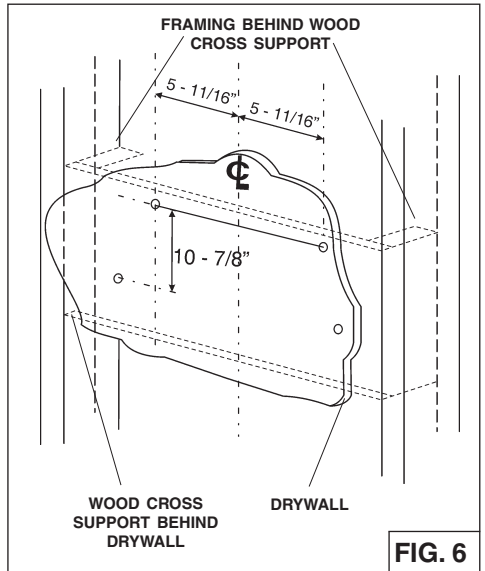
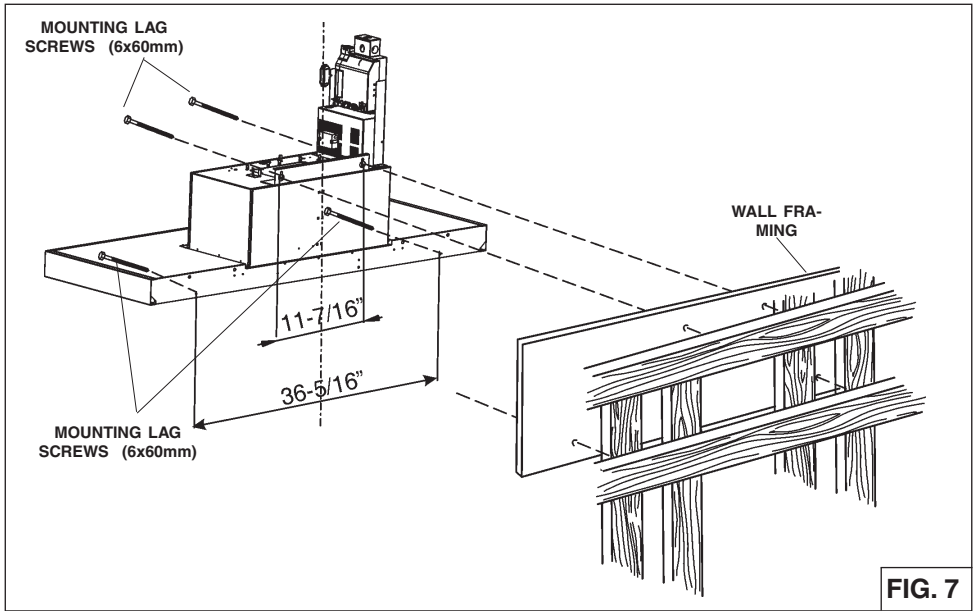


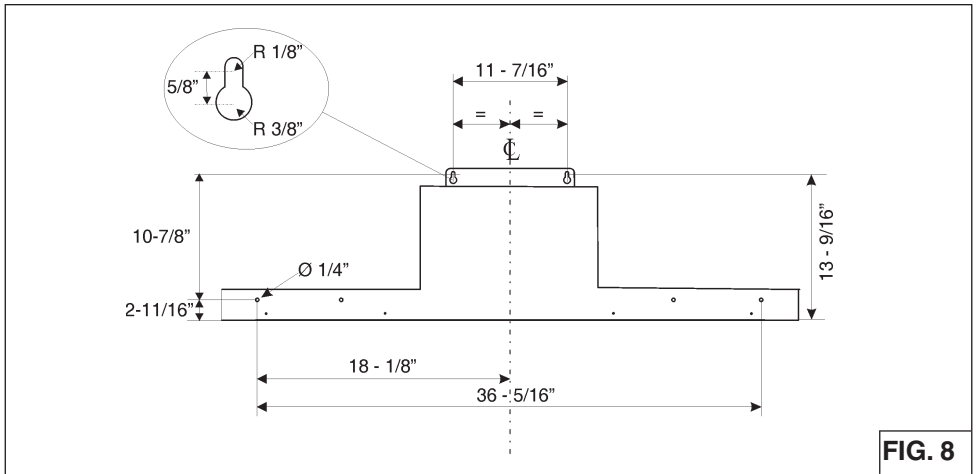
FIG. 6

Ceiling Height (Feet)	Duct Method	Hood Distance Above 36" High Cook Top (inches)													
		24	25	26	27	28	29	30	31	32	33	34	35	36	
		Mounting Hole Height Above 36" High Cook Top (inches)													
		37-5/8	38-5/8	39-5/8	40-5/8	41-5/8	42-5/8	43-5/8	44-5/8	45-5/8	46-5/8	47-5/8	48-5/8	49-5/8	
8	Ducted	36	35	34	33	32	31	30	29	28	27	26	25	24	
9	Ducted	48	47	46	45	44	43	42	41	40	39	38	37	36	





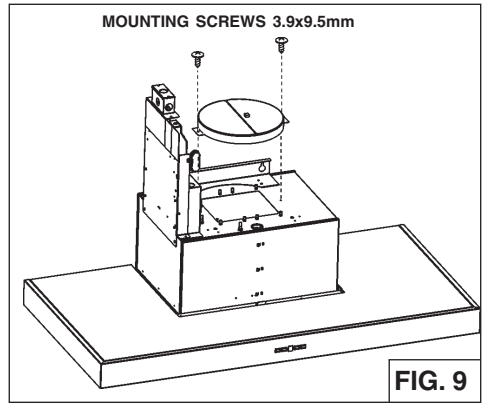
**FIG. 7**



**FIG. 8**

## MOUNT THE DUCT COLLAR

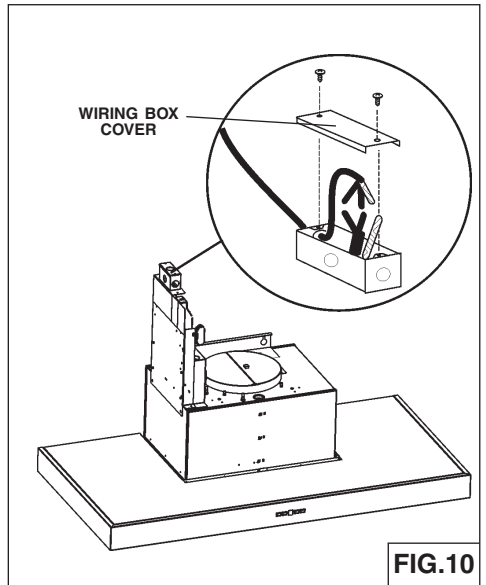
Fix the duct collar to blower discharge with 2 screws (3.9x9.5mm), the screws are located in the Hardware Package (Fig. 9).



## WIRING

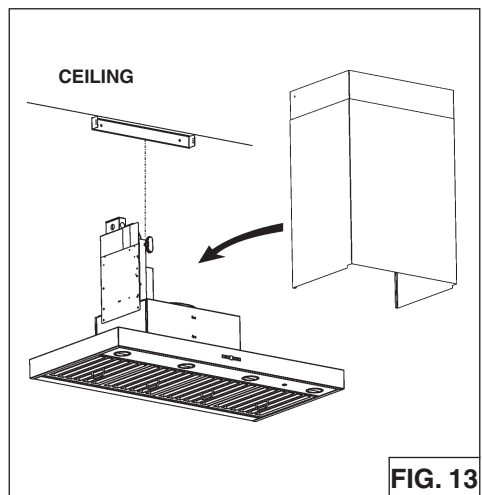
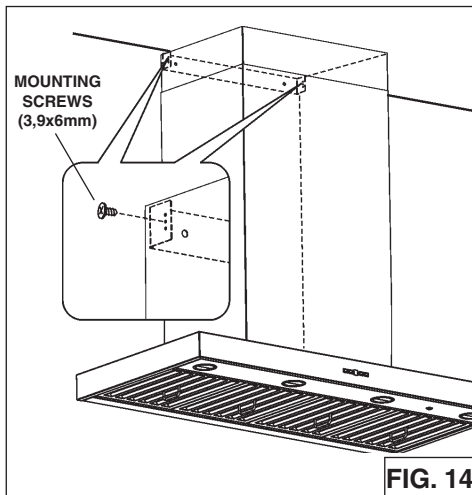
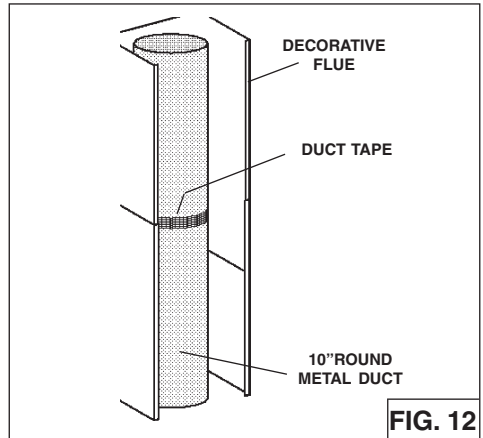
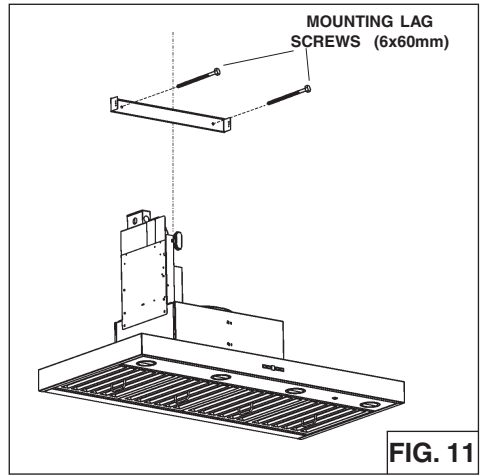
**Note: This range hood must be properly grounded. The unit should be installed by a qualified electrician in accordance with all applicable national and local electrical codes.**

1. Remove the **wiring box cover**. Remove a knockout from the wiring box (Fig.10).
2. Secure the conduit to the wiring box through a conduit connector.
3. Make electrical connections. Connect white to white, black to black and green to green.
4. Replace wiring box cover and screws. Make sure that wires are not pinched between cover and box.



# INSTALL FLUE MOUNTING BRACKET

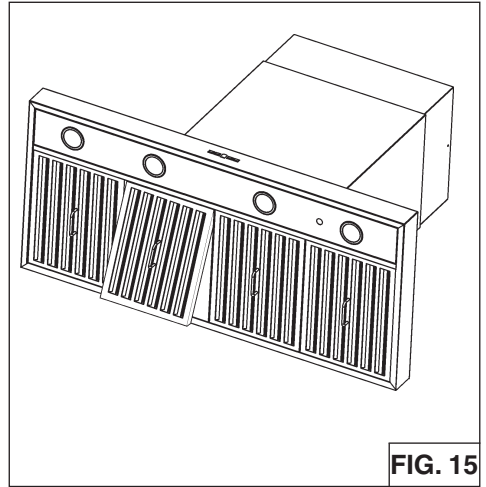
1. **Carefully** center the mounting bracket directly over the range hood location.
2. Secure the bracket to the wall using (2) 6 x 60mm mounting lag screws (Fig.11). Make sure the bracket is pushed into the corner, tight against the wall if necessary, and centered over the hood. Complete the installation.
3. Attach ductwork to damper/duct connector.
4. Run 10" diameter metal ductwork to the outside location (Fig.12).
5. Install an appropriate wall or roof cap with damper to exhaust the air to the outside.
6. Tape all duct joints with aluminum duct tape.
7. Install upper and lower decorative flues onto the range hood (Fig.13).
8. Secure upper flue to flue mounting bracket with (2) 3.9 x 6mm screws (Fig.14).



## **INSTALL FILTERS**

NOTE: Prior to use, remove protective film from the filter frame.

1. To remove the GREASE filter, (Fig.15) push the filter towards the front so that it clears the filter channel, then pull down on the handle to disengage the filter from the hood. Tilt the filter downward and remove.
2. The grease filters (see page 5 for cleaning instructions) should be cleaned frequently. Use a warm detergent solution. Grease filters are dishwasher safe.
3. To install the GREASE filter, align rear filter tabs with spring in the hood. Pull down handle, push filter into position and release. Make sure the filter is securely engaged after installation.



**FIG. 15**

# CALIBRATE IQ BLOWER SYSTEM™

## INTERNAL BLOWER DUCTED UNITS ONLY

After the hood is installed and wired, engage the calibration process (our Guaranteed Performance System Technology to ensure full-rated airflow is being delivered). Prior to calibration, ensure that all filters, light bulbs and duct system are installed.

## CALIBRATION PROCESS

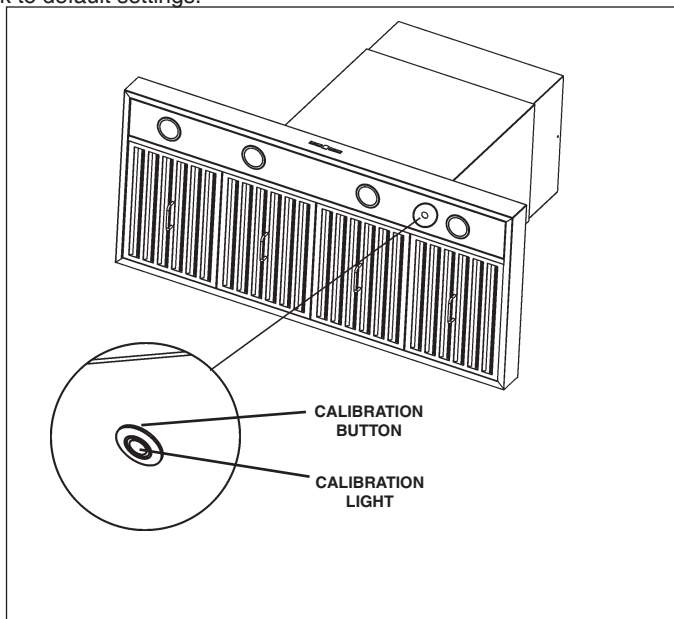
Hold the calibration button for 3 seconds; calibration button will light up and stay on for up to 13 minutes. The blower will start and begin the calibration process. When calibration is complete, one of two things will occur:

1. The blower turns off and calibration button light stays on = Successful calibration. Press the button to turn off the LED. Note: The LED will also turn off if you select any blower speed on the control.
2. The blower turns off and calibration button light blinks continuously = Too much restriction in the ductwork is preventing the IQ Blower System™ from achieving the rated airflow. The blower is automatically set to maximum intensity.

NOTE: Common items that cause restrictions: restricted damper flap (backdraft damper, wall cap, roof cap), too many elbows, duct size less than 80% of hood outlet, poor transition, use of flex ducting and/or crushed ducting.

Three options are available if your hood system has too much restriction:

1. Accept airflow as is.
  - a. Press the calibration button to accept airflow as is. The IQ Blower System™ is now configured to the highest possible performance. The blinking calibration light goes out. Note: The LED will also turn off if you select any blower speed on the control.
2. Correct duct restriction, clear the original calibration data, and repeat the calibration process.
  - a. Correct the duct restriction.
  - b. Clear the original calibration data by holding calibration button for 10 seconds. The light will blink 3 times to confirm and the blower configuration will go back to default settings.
  - c. Repeat calibration process from the beginning.
3. Clear calibration data to reset hood to default factory setting and achieve standard high pressure blower performance.
  - a. Clear calibration data and reset hood to factory default setting by holding calibration button for 10 seconds. The light will blink 3 times to confirm and the blower configuration will go back to default settings.



#### Limited Warranty

Warranty Period and Exclusions: Broan-NuTone, LLC (the "Company") warrants to the consumer purchaser of its product ("you") that the product (the "Product") will be free from material defects in the materials or its workmanship for a period of five (5) years from the date of original purchase (or such longer period as may be required by applicable law) or a period of two (2) years from the date of service for any labor provided on the Product.

The limited warranty period for any replacement parts provided by the Company and for any Products repaired or replaced under this limited warranty shall be the remainder of the original warranty period (or such longer period as may be required by applicable law).

THIS WARRANTY DOES NOT EXTEND TO FLUORESCENT LAMP STARTERS, TUBES AND BULBS, FUSES, FILTERS, DUCTS, ROOF CAPS, WALL CAPS AND OTHER ACCESSORIES FOR DUCTING. This warranty does not cover (a) normal maintenance and service, (b) normal wear and tear, (c) any Products or parts which have been subject to misuse, abuse, abnormal usage, negligence, accident, improper or insufficient maintenance, storage or repair (other than repair by the Company), (d) damage caused by faulty installation, or installation or use contrary to recommendations or instructions, (f) damage caused by exposure to salt air, (g) damage in transit, (h) natural wear of finish, (i) Products in commercial or nonresidential use, (j) damage caused by fire, flood or other act of God, or (k) Products with altered, defaced or removed serial numbers. This warranty covers only Products sold to consumers in North America.

This warranty supersedes all prior warranties and, subject to applicable law, is not transferable from the original consumer purchaser.

No Other Warranties: This Limited Warranty contains the Company's sole obligation and your sole remedy for defective Products. The foregoing warranties are exclusive and in lieu of any other warranties and conditions, express or implied. TO THE MAXIMUM EXTENT PERMITTED BY APPLICABLE LAW, THE COMPANY DISCLAIMS AND EXCLUDES ALL OTHER EXPRESS WARRANTIES AND CONDITIONS, AND DISCLAIMS AND EXCLUDES ALL WARRANTIES AND CONDITIONS IMPLIED BY LAW, INCLUDING WITHOUT LIMITATION THOSE OF MERCHANTABILITY AND FITNESS FOR A PARTICULAR PURPOSE. To the extent that applicable law prohibits the exclusion of implied warranties or conditions, the duration of any applicable implied warranty or condition is limited to the period specified for the express warranty above. Some jurisdictions (which may include the Province of Quebec or specific US states) do not allow limitations on how long an implied warranty lasts, so the above limitation may not apply to you. Any oral or written description of the Product is for the sole purpose of identifying it and shall not be construed as an express warranty.

Whenever possible, each provision of this Limited Warranty shall be interpreted in such manner as to be effective and valid under applicable law, but if any provision is held to be prohibited or invalid, such provision shall be ineffective only to the extent of such prohibition or invalidity, without invalidating the remainder of such provision or the other remaining provisions of the Limited Warranty.

Remedy: During the applicable limited warranty period, the Company will, at its option, provide replacement parts for, or repair or replace, without charge, any Product or part thereof, to the extent the Company finds it to be covered by and in breach of this limited warranty under normal use and service. The Company will ship the repaired or replaced Product or replacement parts to you at no charge. You are responsible for all costs for removal, reinstallation and shipping, insurance or other freight charges incurred in the shipment of the Product or part to the Company. If you must send the Product or part to the Company, as instructed by the Company, you must properly pack the Product or part—the Company is not responsible for damage in transit. The Company reserves the right to utilize reconditioned, refurbished, repaired or remanufactured Products or parts in the warranty repair or replacement process. Such Products and parts will be comparable in function and performance to an original Product or part and warranted for the remainder of the original warranty period (or such longer period as may be required by applicable law).

Company reserves the right, in its sole discretion, to refund the money actually paid by you for the Product. If the Product or component is no longer available, replacement may be made with a similar product of equal or greater value, at Company's sole discretion. This is your sole and exclusive remedy for breach of this limited warranty.

Exclusion of Damages: THE COMPANY'S OBLIGATION TO PROVIDE REPLACEMENT PARTS, OR REPAIR OR REPLACE, AT THE COMPANY'S OPTION, SHALL BE YOUR SOLE AND EXCLUSIVE REMEDY UNDER THIS LIMITED WARRANTY AND THE COMPANY'S SOLE AND EXCLUSIVE OBLIGATION. THE COMPANY SHALL NOT BE LIABLE FOR INCIDENTAL, INDIRECT, CONSEQUENTIAL OR SPECIAL DAMAGES ARISING OUT OF OR IN CONNECTION WITH THE PRODUCT, ITS USE OR PERFORMANCE.

Some jurisdictions do not allow the exclusion or limitation of incidental or consequential damages, so the above limitation or exclusion may not apply to you. This warranty gives you specific legal rights, and you may also have other rights, which vary from jurisdiction to jurisdiction. The disclaimers, exclusions, and limitations of liability under this warranty will not apply to the extent prohibited by applicable law.

This warranty covers only replacement or repair of defective Products or parts thereof at the Company's main facility and does not include the cost of field service travel and living expenses.

Any assistance the Company provides to or procures for you outside the terms, limitations or exclusions of this limited warranty will not constitute a waiver of such terms, limitations or exclusions, nor will such assistance extend or revive the warranty.

The Company will not reimburse you for any expenses incurred by you in repairing or replacing any defective Product, except for those incurred with the Company's prior written permission.

How to Obtain Warranty Service: To qualify for warranty service, you must (a) notify the Company at the address or telephone number stated below within seven (7) days of discovering the covered defect, (b) give the model number and part identification and (c) describe the nature of any defect in the Product or part. At the time of requesting warranty service, you must present evidence of the original purchase date. If you cannot provide a copy of the original written limited warranty, then the terms of the Company's most current written limited warranty for your particular product will control.

#### PRODUCT SPECIFICATIONS

All illustrations and specifications in this catalog are based on the latest product information available at time of production. Broan-NuTone, LLC and BEST® reserves the right to make changes at any time, without notice, in prices, colors, materials, equipment, specifications and models, place of manufacture and to discontinue models or equipment.

#### Best

Broan-NuTone, LLC- 926 W. State Street, Hartford, WI 53207

1-800-637-1453

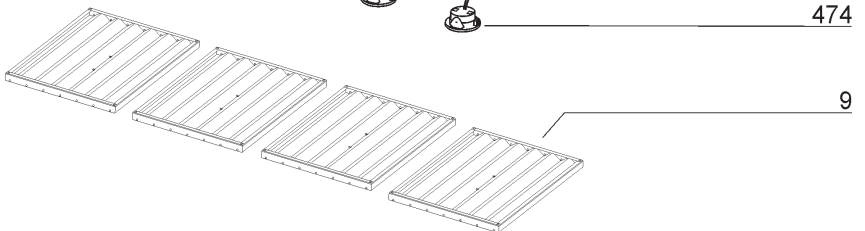
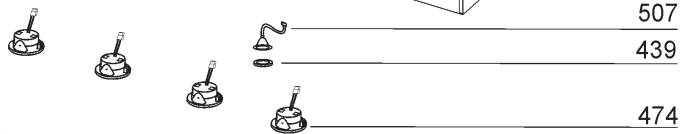
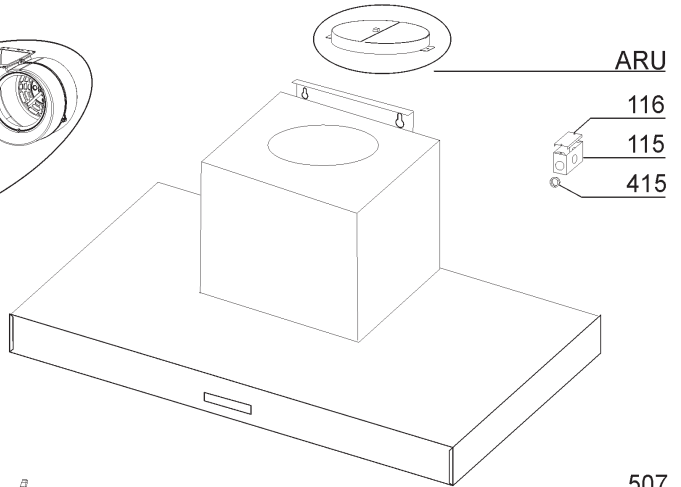
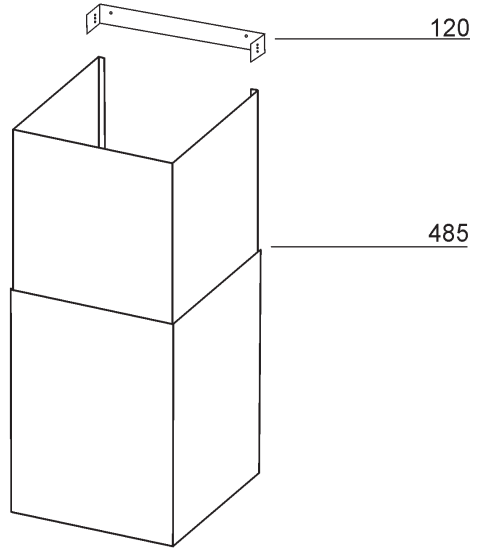
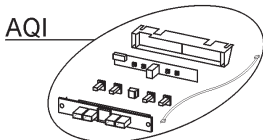
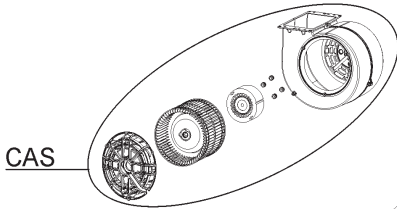
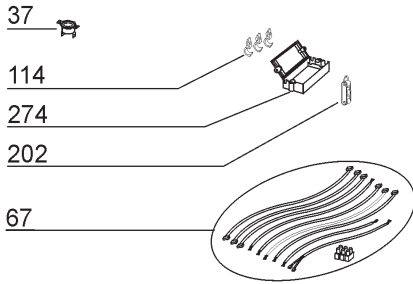
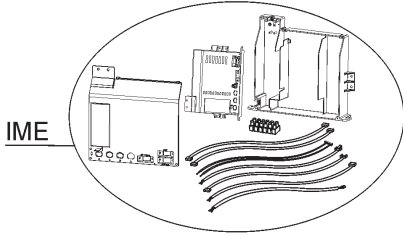
Best®, 550 Lemire Blvd., Drummondville, QC, Canada (1-866-737-7770) [www.bestrangehoods.com](http://www.bestrangehoods.com)

## SERVICE PARTS

### MODEL WPB9

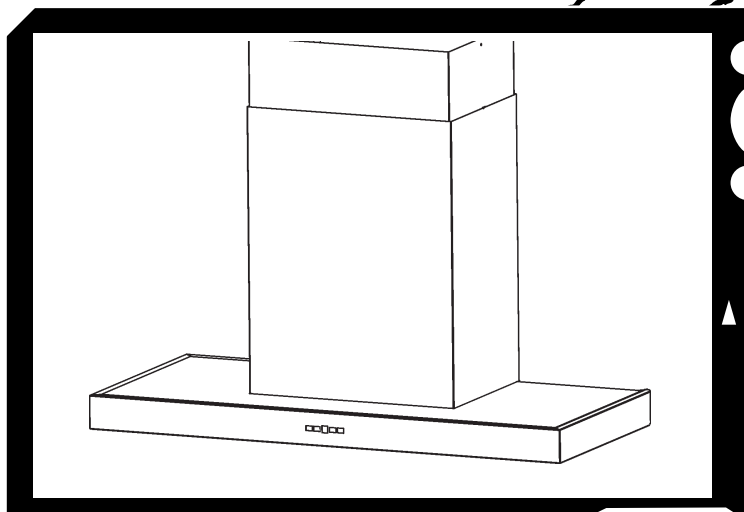
KEY NO.	PART NO.	DESCRIPTION
9	B08087951	Grease Filters
37	B02300804	Heat Sentry
67	B06102611	Wires Assembly
114	B03292499	Runner Wires
115	BE3350233	Wiring Box
116	BE3334252	Wiring Box Cover
120	BE3353371	Flue mounting Bracket
202	B03292290	Wire Clamp
274	B03295035	Fuse Box
415	B03292596	Fairlead
439	B02320034	Grommet
474	B02300918	Halogen Lamp
485	B08016409	Decorative Flue Assembly
507	B06102584	Calibration Button Assembly
AQI	B06102596	Switch Box Assembly
ARU	BE3405192	Duct Connector Assembly 10"
IME	B06145225	Electrical Installation Assembly
CAS	B06002259	Blower Assembly
998	B080811032	Fitting Set

\* Not shown assembled





# best®



## Modèle WPB9

ENGLISH.....	3
FRANÇAIS.....	18
ESPAÑOL.....	35

Aux États-Unis - BEST Hartford, Wisconsin  
Au CANADA - BEST Drummondville, QC, Canada

ENREGISTREZ VOTRE PRODUIT EN LIGNE À : [www.BestRangeHoods.com/register](http://www.BestRangeHoods.com/register)  
Pour de plus amples informations, visitez [www.BestRangeHoods.com](http://www.BestRangeHoods.com)



# LIRE CES DIRECTIVES ET LES CONSERVER

 **CONÇUE POUR LES CUISINES PRIVÉES UNIQUEMENT** 

## **AVERTISSEMENTS**

**POUR RÉDUIRE LES RISQUES D'INCENDIE, D'ÉLECTROCUTION OU DE BLESSURES PHYSIQUES, RESPECTEZ LES INSTRUCTIONS CI-DESSOUS :**

1. Utilisez cet appareil uniquement de la manière prévue par le fabricant. Si vous avez des questions, contactez le fabricant à l'adresse ou au numéro de téléphone indiqués dans la garantie.
2. Avant d'effectuer l'entretien ou le nettoyage de l'appareil, mettez-le hors tension sur le panneau de service et verrouillez ce dernier pour éviter que l'appareil soit mis sous tension par inadvertance. S'il n'est pas possible de verrouiller le dispositif de déconnexion, apposez un avertissement bien visible (par exemple une étiquette) sur le panneau de service.
3. L'installation et le raccordement électrique doivent être effectués par du personnel qualifié conformément à toutes les réglementations et normes en vigueur, y compris celles concernant les constructions cotées pour leur résistance au feu.
4. Afin d'éviter un refoulement lors de l'utilisation d'équipements à combustible, une quantité d'air suffisante est nécessaire pour assurer une combustion et un échappement adéquats des gaz à travers le conduit (la cheminée). Suivez les consignes du fabricant de l'équipement chauffant et les normes de sécurité publiées, entre autres, par l'Association nationale de protection contre l'incendie (NFPA) et l'American Society for Heating, Refrigeration and Air Conditioning Engineers (ASHRAE), ainsi que les réglementations locales.
5. Quand vous effectuez une découpe ou un forage dans un mur ou un plafond, veillez à ne pas endommager des câblages électriques ou d'autres équipements non visibles.
6. Les soufflantes canalisées doivent toujours être dirigées vers l'extérieur.
7. N'utilisez pas cet appareil avec un dispositif de commande de vitesse transistorisée séparé.
8. Pour réduire les risques d'incendie, utilisez uniquement des canalisations en métal.

### **INSTRUCTIONS DE MISE À LA TERRE**

Cet appareil doit être mis à la terre. En cas de court-circuit électrique, la mise à la terre réduit le risque d'électrocution grâce à un fil permettant au courant électrique de s'échapper.

**AVERTISSEMENT** - Une mise à la terre inappropriée peut donner lieu à un risque d'électrocution.

Consultez un électricien qualifié si vous ne comprenez pas parfaitement les instructions de mise à la terre ou si vous n'êtes pas certain(e) que l'appareil est mis à la terre comme il se doit.

### **POUR RÉDUIRE LE RISQUE D'UN FEU DE FRITURE SUR LA TABLE DE CUISSON**

- A. Ne laissez jamais les appareils de surface sans surveillance quand ils sont sur un réglage élevé. Les débordements peuvent provoquer de la fumée et des déversements gras risquant de prendre feu. Chauffez les huiles lentement sur un réglage bas ou moyen.
- B. **ALLUMEZ** toujours la hotte quand vous cuisinez à une chaleur élevée ou quand vous flambez des aliments (p. ex. des crêpes Suzette, des cerises jubilé ou du boeuf au poivre flambé).
- C. Nettoyez souvent les ventilateurs d'aération. Évitez que de la graisse s'accumule sur le ventilateur ou le filtre.
- D. Utilisez des poêles de la taille appropriée. Utilisez toujours des ustensiles de cuisine adaptés à la taille de l'élément de surface.

## **AVERTISSEMENTS**

---

### **POUR RÉDUIRE LE RISQUE DE BLESSURES PHYSIQUES EN CAS DE FEU DE FRITURE SUR LA TABLE DE CUISSON, VEUILLEZ PROCÉDER COMME SUIT :\***

1. **ÉTOUFFEZ LES FLAMMES** avec un couvercle hermétique, une plaque à biscuits ou un plateau en métal, puis éteignez le brûleur. **SOYEZ PRUDENT(E) AFIN D'ÉVITER LES BRÛLURES.** Si les flammes ne s'éteignent pas immédiatement, **ÉVACUEZ LE LIEU ET APPELEZ LE SERVICE DES POMPIERS.**
2. **NE SAISISSEZ JAMAIS UNE POÊLE ENFLAMMÉE**, vous risquez de vous brûler.
3. **N'UTILISEZ JAMAIS D'EAU** ni de torchons ou serviettes mouillé(e)s : cela donnerait lieu à une violente explosion de vapeur.
4. Utilisez un extincteur **UNIQUEMENT** si :
  - A. Vous savez qu'il s'agit d'un extincteur de Classe ABC et savez déjà comment vous en servir.
  - B. L'incendie est de petite taille et confiné à l'endroit où il a commencé.
  - C. Le service des pompiers a été averti.
  - D. Vous pouvez éteindre l'incendie en ayant une sortie derrière vous.

\* Basé sur « Kitchen Fire Safety Tips », publié par la NFPA.

## **ATTENTION**

---

1. Uniquement pour l'utilisation intérieure.
2. Pour réduire le risque d'incendie et obtenir un échappement d'air adéquat, veillez à bien canaliser l'air vers l'extérieur. Ne ventilez pas l'air d'échappement vers des espaces confinés, des plafonds, des combles, des vides sanitaires ou des garages.
3. Soyez prudent(e) quand vous utilisez des agents de nettoyage ou des détergents.
4. Évitez d'utiliser sous la hotte de cuisine des denrées alimentaires produisant des flammes.
5. À utiliser uniquement pour la ventilation générale. N'utilisez pas la hotte pour l'échappement de matériaux ou de vapeurs comportant un danger ou un risque d'explosion.
6. Pour éviter que le roulement moteur s'endommage et que des hélices deviennent bruyantes ou déséquilibrées, faites en sorte que le bloc d'alimentation n'entre pas en contact avec un atomiseur pour cloisons sèches, de la poussière de construction, etc.
7. Le moteur de la hotte est doté d'un rupteur thermique qui éteint automatiquement le moteur en cas de surchauffe. Le moteur redémarrera après avoir refroidi. Si le moteur s'éteint et se rallume constamment, faites réparer la hotte.
8. Pour mieux capturer les impuretés de cuisson, la partie inférieure de la hotte doit se trouver au minimum à 61 cm (24") et au maximum à 91 cm (36") au-dessus de la surface de cuisson. Consultez la section « Installation du support de montage » pour connaître les restrictions de montage.
9. Étant donné la taille et le poids de la hotte, il est conseillé d'avoir recours à deux personnes pour la monter.
10. Ce produit est doté d'un thermostat qui peut activer la soufflante automatiquement. Pour éviter les risques de blessure et l'allumage accidentel de la hotte, mettez-la hors tension sur le panneau de service et verrouillez ce dernier ou fixez-y une étiquette d'avertissement.
11. Pour en savoir plus et connaître les exigences sur le produit, veuillez lire l'étiquette des spécifications.

## **NETTOYAGE ET ENTRETIEN**

---

Pour assurer les performances de l'appareil, entretenez-le de manière appropriée.

### **Moteur**

Le moteur est lubrifié en permanence et aucun graissage n'est nécessaire. Si les roulements du moteur font un bruit excessif ou inhabituel, remplacez le moteur par une pièce de rechange identique.

Remplacez aussi les hélices.

### **Filtres à graisse**

Les filtres à graisse doivent être nettoyés souvent. Vous pouvez utiliser une solution détergente chaude ou les mettre dans le lave-vaisselle.

Nettoyez tous les filtres en métal dans le lave-vaisselle avec un détergent sans phosphate. Si vous utilisez un détergent phosphaté ou selon le type d'eau, il est possible que le filtre se décolore, mais cela n'affectera aucunement ses performances. Cette décoloration n'est pas couverte par la garantie. Consultez la section « INSTALLATION DES FILTRES » pour connaître les instructions de retrait et d'installation.

### **Filtre de recirculation non canalisé**

Le filtre de recirculation non canalisé doit être changé tous les 6 mois. Si votre style de cuisine engendre beaucoup de graisse, par exemple si vous faites souvent de la friture ou utilisez un wok, remplacez-le plus souvent. Consultez la section « INSTALLATION DES FILTRES » pour connaître les instructions de retrait et d'installation.

### **Nettoyage de l'acier inoxydable**

#### **À FAIRE :**

- nettoyez régulièrement l'acier inoxydable avec un chiffon ou un torchon enduit d'eau chaude et de savon doux ou de liquide vaisselle.
- nettoyez toujours dans le sens des lignes de polissage d'origine.
- rincez toujours à l'eau claire (2 ou 3 fois) après le nettoyage. Essuyez complètement.
- vous pouvez aussi utiliser un nettoyant spécial pour acier inoxydable d'électroménagers.

#### **À NE PAS FAIRE :**

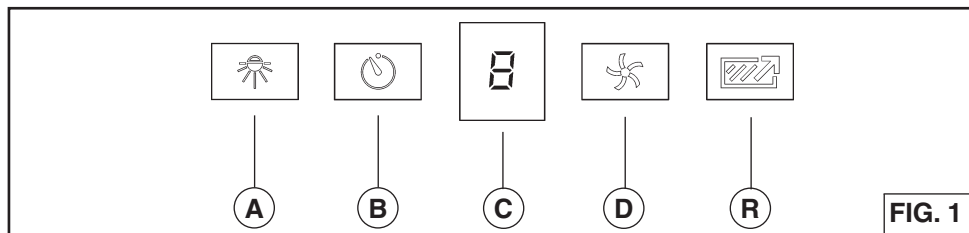
- n'utilisez pas de laine d'acier inoxydable ou d'autres raclours pour éliminer la saleté difficile à éliminer.
- n'utilisez pas de produits de nettoyage durs ou abrasifs.
- ne laissez pas la poussière s'accumuler.
- maintenez la hotte à l'abri de la poussière de plâtre ou d'autres résidus de construction. Pendant la construction/les rénovations, couvrez la hotte afin d'éviter qu'aucune poussière n'adhère aux surfaces en acier inoxydable.

### **À éviter quand vous choisissez un détergent :**

- tous les produits de nettoyage contenant de l'eau de Javel attaquent l'acier inoxydable.
- tous les produits contenant du chlore, du fluor, de l'iode ou du bromure provoquent une détérioration rapide des surfaces.
- tous les produits combustibles utilisés pour le nettoyage, tels que l'acétone, l'alcool, l'éther, le benzène sont extrêmement explosifs et ne doivent jamais être employés à proximité d'une table de cuisson.

# FUNCTIONNEMENT

## COMMANDES (Fig.1)



**Bouton A** = tourne les lumières / basse / haute / arrêt.

**Bouton B** = active / désactive la fonction retard-off. Appuyez une fois (lorsque la soufflerie est activée) pour activer la fonction retard-off. Le niveau de vitesse sélectionnée qui est affichée dans l'affichage "C" clignote lorsque cette fonction est activée. Après 10 minutes, le ventilateur s'éteindra. Le retard peut être désactivé à tout moment en appuyant sur le bouton.

**Display C** = indique la vitesse sélectionnée du ventilateur 1, 2, 3, ou b pour boost. «-» Indique la nécessité de nettoyer le filtre à graisse.

**Bouton D** = Active le ventilateur. Hotte se met en marche à la dernière vitesse sélectionnée. La vitesse du ventilateur change chaque fois que le bouton est enfoncé (de 1 à "b"). Pour éteindre le ventilateur, appuyez sur le bouton pendant environ 2 secondes continuellement.

**Bouton R** = Nettoyer le filtre réinitialisation de l'indicateur. Appuyez et maintenez enfoncé pendant 2 secondes pour réinitialiser l'indicateur.

### HEAT SENTRY™

La hotte est équipée d'un thermostat HEAT SENTRY™. Ce dispositif active ou accélère la soufflante s'il détecte une chaleur excessive au-dessus de la surface de cuisson.1) Si la soufflante est ARRÊTÉE, il l'ALLUME sur la vitesse HAUTE.2) Si la soufflante est ALLUMÉE à une vitesse basse, il la fait passer à la vitesse HAUTE. Quand la température redevient normale, la soufflante retourne au réglage d'origine.

### AVERTISSEMENT

**Le thermostat HEAT SENTRY peut activer la soufflante même si la hotte est éteinte. Dans ce cas, il est impossible de désactiver la soufflante avec le commutateur d'ARRÊT. Si vous devez ARRÊTER la soufflante, faites-le depuis le panneau électrique principal.**

### TELECOMMANDE:

Une télécommande en option Série ACR (vendu séparément) peut être utilisé pour le fonctionnement de la hotte.

## AMPOULES HALOGÈNES

Cette hotte de cuisine nécessite 4 ampoules halogène (Type T4, 120 Volt, 25 Watt Max, G9 Base).

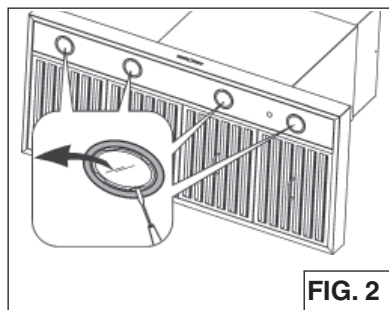
**⚠ AVERTISSEMENT: Coupez toujours l'alimentation avant d'effectuer toute opération sur l'appareil.**

Pour changer les ampoules :

1. Ouvrez le couvercle en faisant levier sur les fentes prévues à cet effet (Fig.2).
2. Retirez les ampoules en les tirant vers le côté (NE LES TOURNEZ PAS).

**⚠ ATTENTION : Il est possible que les ampoules soient chaudes.**

3. Remplacez-les par des ampoules halogènes de type T4, 120 Volt, 25 Watt Max, G9 Base. Ne touchez pas les ampoules de rechange à mains nues!



## PRÉPARATION DE LA HOTTE

Déballer la hotte et vérifier le contenu de l'emballage.

Il doit comprendre :

1 - Hotte

1 - Carneau décoratif

1 - Sac de pièces (080811032) contenant:

1 - Collier d'évacuation

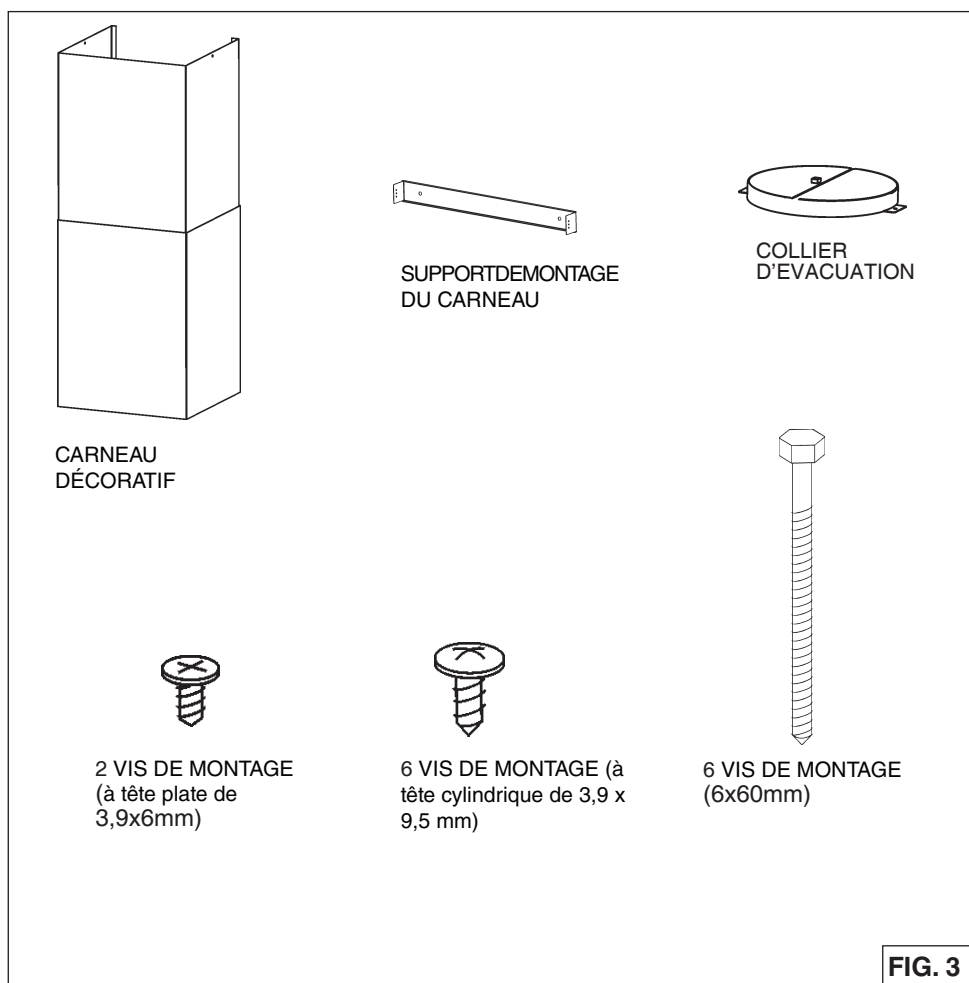
6 - Vis de montage (à tête cylindrique de 3,9 x 9,5 mm)

2 - Vis de montage (à tête plate de 3,9 x 6 mm)

6 - Vis de montage (6 x 60mm)

1 - Support de montage carneau

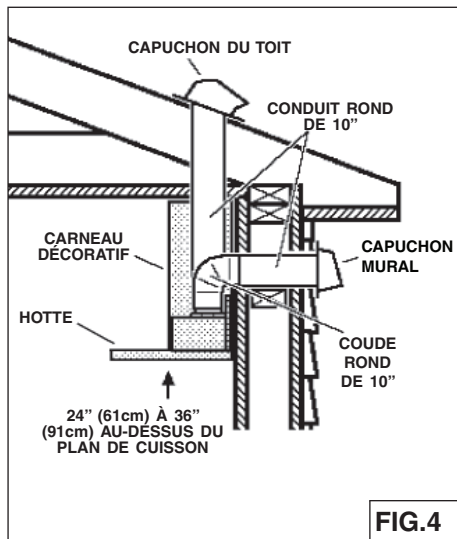
1 - Instructions d'installation



## INSTALLER LES CONDUITS

**REMARQUE:** pour réduire les risques d'incendie, utilisez uniquement des conduits métalliques.

1. Décidez où le tuyau doit être installé, entre votre hotte et l'extérieur.
2. Un conduit droit et court permettra à votre hotte de fonctionner d'une façon plus efficace.
3. Un conduits long avec des coudes et des transitions réduira le bon fonctionnement de votre hotte. En utiliser le moins possible.
4. Installez un couvercle sur le toit ou au mur. Reliez un tuyau en métal rond de 10" au couvercle et faites-le aller jusqu'à l'emplacement de votre hotte. Utiliser du ruban adhésif pour sceller les joints entre les sections de conduits (Fig.4).





## FIXEZ LA PLAQUE ELECTRICAL

Fixer la plaque électrique avec 4 vis (3.9x9.5mm) à la hotte, les vis se trouvent à l'intérieur du sachet accessoires (Fig. 5).

## INSTALLEZ LA HOTTE

**Remarque :** avant l'installation finale, retirez la pellicule en plastique de toutes les surfaces extérieures, des carreaux décoratifs et des filtres.

1. Construisez une structure murale en bois à niveau avec la surface intérieure des poteaux de cloison (Fig.6).

Assurez-vous:

- a) que la structure est centrée sur l'emplacement d'installation.
  - b) que la structure soit placée à une hauteur et une largeur permettant d'y fixer le support de montage conformément aux dimensions indiquées dans la Fig.8.
2. Installez les deux (2) 6 x 60mm vis de la partie supérieure de la hotte à l'emplacement indiqué dans la Fig.7. Utilisez les deux trous de serrure supérieur, ne serrez pas complètement les vis.
  3. Accrochez la hotte sur les vis.
  4. Sécurisé (2) 6 x 60mm vis aux endroits inférieur de la hotte. Serrer tous les (4) vis.

Remarques:

- a. La distance minimale de la hotte au-dessus de la table de cuisson ne doit pas être inférieure à 24"(61cm). Un maximum de 36"(91cm) au-dessus de la table de cuisson est fortement recommandé pour une meilleure évacuation des odeurs de cuisson. Distances de plus de 36" sont les installer et choix de l'utilisateur, et si la hauteur de plafond et le permis de longueur de combustion.

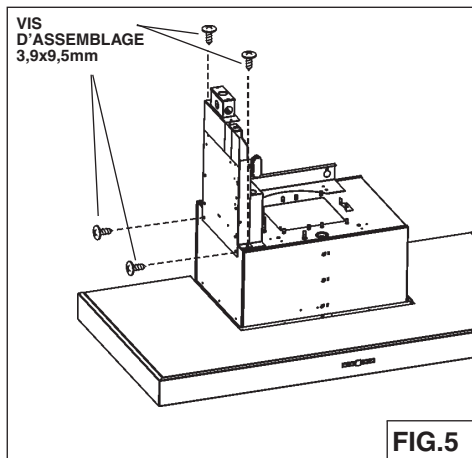


FIG.5

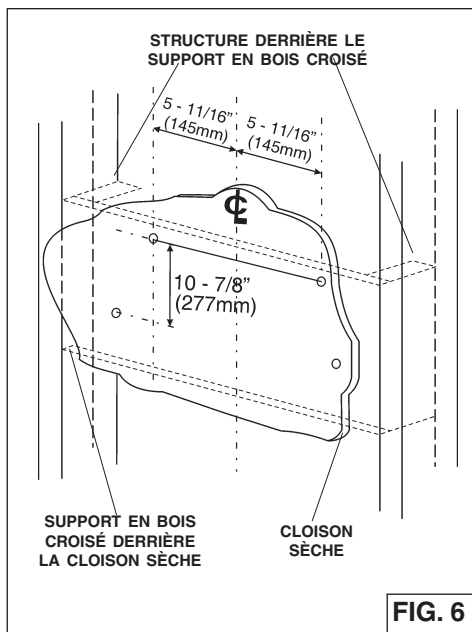
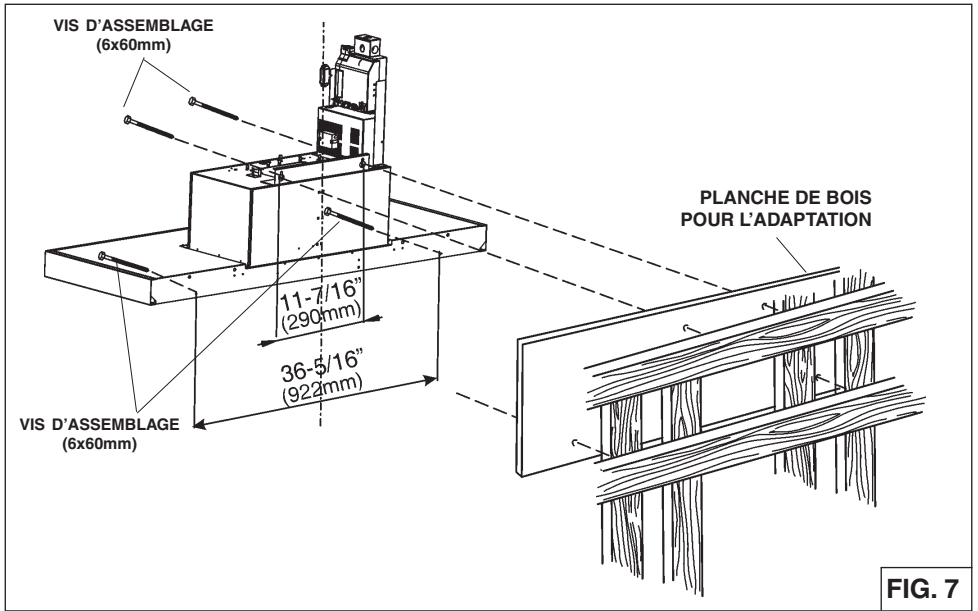
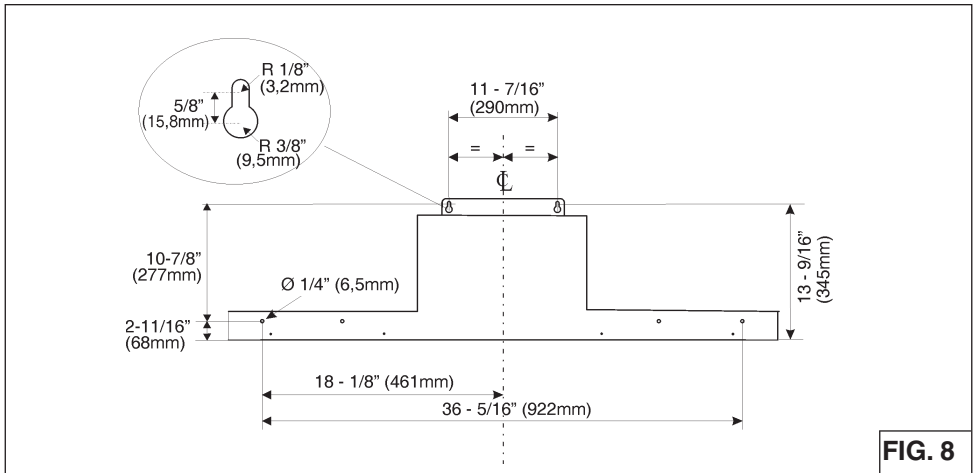


FIG. 6

Hauteur de Plafond (Pouce)	Méthode de Canalisation	Distance de la Hotte à 90 cm (36") au-dessus de la Table de Cuisson (pouces)													
		24	25	26	27	28	29	30	31	32	33	34	35	36	
		Hauteur des trous de montage au-dessus de la Table de Cuisson (pouces)													
		37-5/8	38-5/8	39-5/8	40-5/8	41-5/8	42-5/8	43-5/8	44-5/8	45-5/8	46-5/8	47-5/8	48-5/8	49-5/8	
8	Canalisée	36	35	34	33	32	31	30	29	28	27	26	25	24	
9	Canalisée	48	47	46	45	44	43	42	41	40	39	38	37	36	



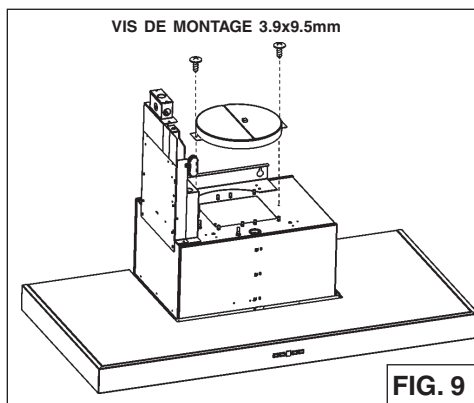
**FIG. 7**



**FIG. 8**

## **FIXEZ LE COLLIER**

Fixez le collier d'évacuation au refoulement de la soufflante avec 2 vis (3.9x9.5mm), les vis se trouvent à l'intérieur du sachet accessoires (Fig. 9).

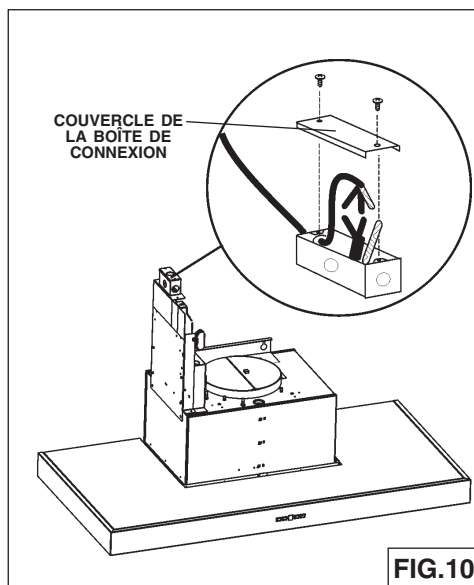


**FIG. 9**

## **INSTALLATION ELECTRIQUE**

**Remarque: Ce modèle de hotte doit être relié à la terre correctement. Cet article devrait être installé par un électricien qualifié selon les lois nationales et locales en matière d'électricité.**

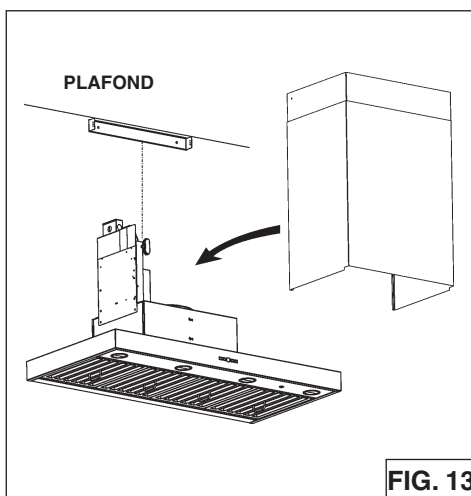
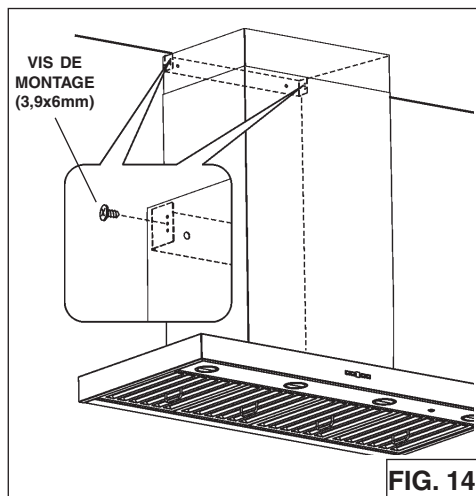
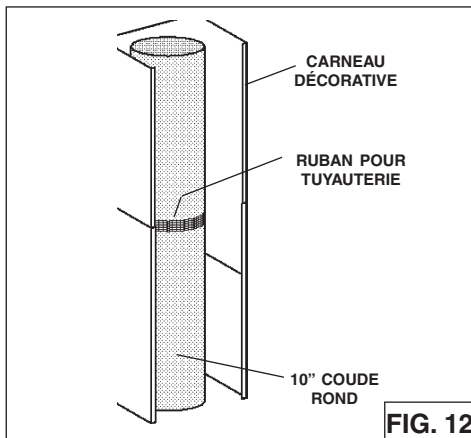
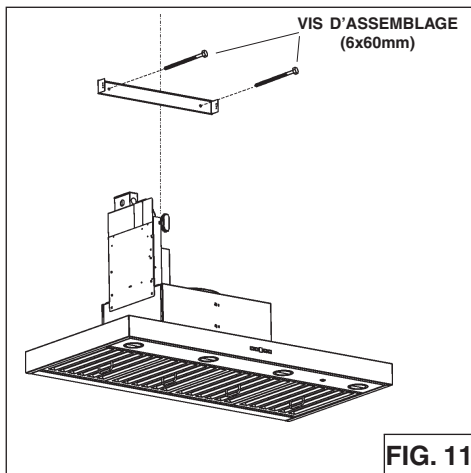
1. Enlevez le couvercle de la **boîte de connexion électrique**. Ouvrez un trou de la boîte de connexion électrique (Fig.10).
2. Fixer le "conduit" au boîtier de connexion à l'aide d'un connecteur approprié pour ce "conduit".
3. Faites le raccordement électrique. Reliez le blanc au blanc, le noir au noir et le vert au vert.
4. Remettez le couvercle de la boîte de connexion et les vis. Assurez-vous que les fils se sont pas coincés entre le couvercle et la boîte.



**FIG.10**

## **INSTALLATION DU SUPPORT DE MONTAGE DU CARNEAU**

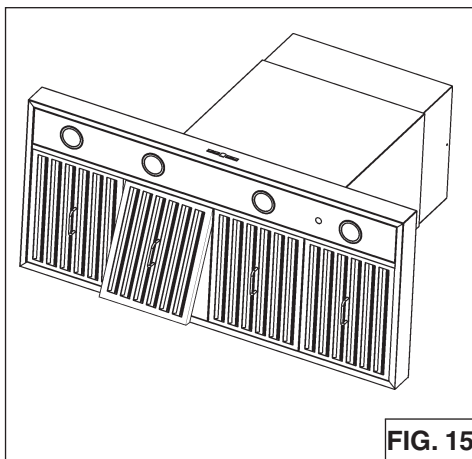
1. **Centrez avec soin** le support de montage directement au-dessus de l'emplacement de la hotte de cuisine.
2. Fixez le support au mur à l'aide de 2 vis de montage de 6 x 60 mm (Fig.11). Veillez à ce que le support soit poussé à fond contre la paroi au niveau du coin et soit centré au-dessus de la hotte.
3. Fixez conduits à clapet/raccord de conduit.
4. Exécutez 10" diamètre des conduits de métal à l'endroit à l'extérieur (Fig.12).
5. Installez un mur approprié ou une casquette sur le toit avec amortisseur à évacuer l'air vers l'extérieur.
6. Collez tous les joints de la canalisation avec de l'adhésif pour canalisation en aluminium.
7. Installez carneau décoratif supérieur et inférieur sur la hotte (Fig.13).
8. Fixez le carneau supérieur au support de montage du carneau avec 2 vis de 3,9 x 6 mm (Fig.14).



## **INSTALLATION DES FILTRES**

REMARQUE: Avant toute utilisation, enlever la pellicule de protection du cadre du filtre.

1. Pour retirer le filtre à GRAISSE, (Fig.15) pousser le filtre vers l'avant pour qu'il efface le canal du filtre, puis tirez sur la poignée pour dégager le filtre de la hotte. Inclinez le filtre vers le bas et la retirer.
2. Les filtres à graisse (voir page 22 pour les instructions de nettoyage) doivent être nettoyés fréquemment. Utilisez une solution de détergent chaude. Vous pouvez les mettre dans le lave-vaisselle.
3. Pour installer le filtre à graisse, alignez les onglets filtre arrière avec ressort dans la hotte. Déroulez manipuler, pousser filtre en position, puis relâchez. Assurez-vous que le filtre est bien engagé après l'installation.



# CALIBRAGE DU VENTILATEUR IQ<sup>MC</sup>

## **VENTILATEUR INTERNE AVEC CONDUITS SEULEMENT**

Une fois la hotte installée et connectée, enclenchez le processus de calibrage (notre Technologie de performance garantie s'assure que le débit d'air optimal sera émis). Avant le calibrage, assurez-vous que les filtres, les ampoules d'éclairage et les conduits sont installés.

### **CALIBRAGE**

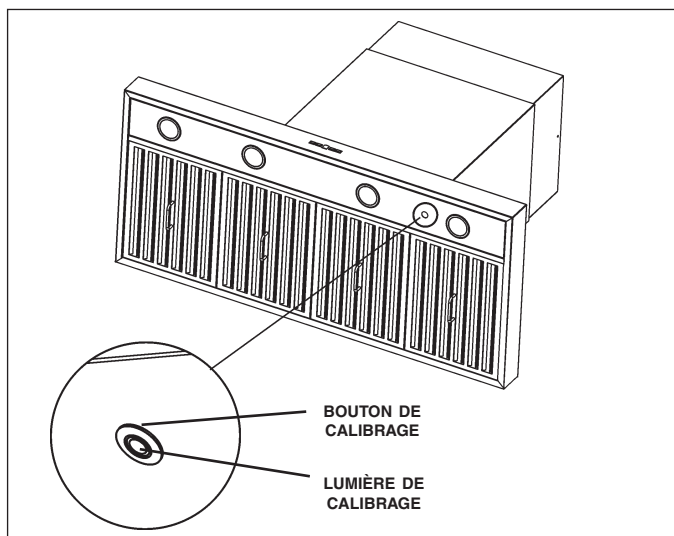
Maintenez le bouton de calibrage pendant 3 secondes; le bouton s'allumera durant jusqu'à 13 minutes. Le ventilateur se met en marche et le calibrage commence. Une fois le calibrage terminé, il y a deux possibilités:

- A. Le ventilateur s'arrête et la lumière du bouton de calibrage reste allumée = Calibrage réussi. Appuyez sur le bouton pour éteindre la DEL. Remarque: La DEL s'éteindra aussi si vous sélectionnez n'importe quelle vitesse de ventilateur à l'aide de la commande.
- B. Le ventilateur s'arrête et la lumière du bouton de calibrage clignote continuellement = Trop de restriction dans le conduit empêchant le ventilateur IQMC d'atteindre le débit d'air nominal. Le ventilateur se règle automatiquement à l'intensité maximale.

REMARQUE : Les causes les plus courantes de restriction sont : un clapet coincé (clapet antirefoulement, capuchon mural, capuchon de toit), un trop grand nombre de coudes, un conduit dont la dimension est 80 % inférieure à la sortie de la hotte, une mauvaise transition, l'utilisation de conduit flexible et/ou un conduit écrasé.

Trois options s'offrent à vous si le débit de votre hotte est soumis à une restriction trop importante

1. Accepter le débit tel quel.
  - a. Appuyez sur le bouton de calibrage pour accepter le débit d'air tel quel. Le ventilateur IQMC est maintenant configuré au meilleur rendement possible. Le témoin de calibrage clignotant s'éteint. Remarque : La DEL s'éteindra aussi si vous sélectionnez n'importe quelle vitesse de ventilateur à l'aide de la commande.
2. Corriger la restriction, effacer les données du calibrage original et recommencer le calibrage.
  - a. Corrigez la restriction dans le conduit.
  - b. Effacez les données du calibrage original en maintenant le bouton de calibrage pendant 10 secondes. Le témoin clignotera 3 fois pour confirmer et le ventilateur retournera aux paramètres par défaut.
  - c. Recommencez le calibrage depuis le début.
3. Effacer les données de calibrage pour rétablir les paramètres par défaut de la hotte et obtenir le rendement standard à haute pression du ventilateur.
  - a. Effacez les données de calibrage pour rétablir les paramètres par défaut de la hotte en maintenant le bouton de calibrage pendant 10 secondes. Le témoin clignotera 3 fois pour confirmer et le ventilateur retournera aux paramètres par défaut. bouton de calibrage pendant 10 secondes. Le témoin clignotera 3 fois pour confirmer et le ventilateur retournera aux paramètres par défaut.



#### Garantie limitée

Période de garantie et exclusions : Broan-NuTone LLC (l'« entreprise ») garantit au consommateur qui achète son produit (« vous ») que le produit (le « produit ») restera exempt de défauts importants dans ses composants ou sa fabrication pendant une période de cinq (5) ans à compter de la date de l'achat initial (ou pour une période plus longue si la loi en vigueur l'exige) ou une période de deux (2) ans à compter de la date de la prestation d'un service sur le produit.

La garantie limitée des pièces de rechange fournies par l'entreprise et de tout produit réparé ou remplacé en vertu de cette garantie est valide pour la durée non écoulée de la période de garantie initiale (ou d'une période plus longue si la loi en vigueur l'exige).

LA PRÉSENTE GARANTIE NE S'APPLIQUE PAS AUX DÉMARREURS DE LAMPE FLUORESCENTE, NIAUX TUBES, AMPOULES, FUSIBLES, FILTRES, CONDUITS, CAPUCHONS DE TOIT, CAPUCHONS MURAUX ET AUX AUTRES ACCESSOIRES POUR CONDUITS. Cette garantie exclut : a) l'entretien normal, b) l'usure normale, c) les produits et les pièces ayant fait l'objet d'une utilisation mauvaise, abusive ou anormale, d'une négligence, d'un accident, d'un entretien ou d'un entreposage, d'une réparation ou d'un entretien inadéquats ou insuffisants (sauf s'il s'agit d'une réparation effectuée par l'entreprise), d) les dommages attribuables à une installation incorrecte ou à une installation ou utilisation contraires aux recommandations ou aux instructions, e) les dommages attribuables au contact de l'air salin, f) les dommages survenus durant le transport, g) l'usure normale de la finition, h) les produits d'utilisation commerciale ou non résidentielle, i) les dommages causés par le feu, une inondation ou une autre catastrophe naturelle, ou j) les produits dont le numéro de série a été altéré ou effacé. Cette garantie ne s'applique qu'aux produits vendus aux consommateurs en Amérique du Nord.

La présente garantie remplace les garanties précédentes et, sous réserve de la loi applicable, n'est pas transférable par l'acheteur initial.

Aucune autre garantie : La présente garantie limitée énonce l'unique obligation de l'entreprise et votre seul recours pour les produits défectueux. Les garanties qui précèdent sont exclusives et l'emportent sur les autres garanties et modalités, expresses ou implicites. DANS TOUTE LA MESURE PERMISE PAR LA LOI EN VIGUEUR, L'ENTREPRISE SE DÉGAGE DES AUTRES GARANTIES ET MODALITÉS EXPRESSES ET DES GARANTIES ET MODALITÉS IMPLICITES EN VERTU DE LA LOI, Y COMPRIS, SANS S'Y LIMITER, LES GARANTIES DE QUALITÉ MARCHANDE ET D'ADAPTATION À UN USAGE PARTICULIER. Dans la mesure où la loi applicable interdit l'exclusion des garanties ou modalités implicites, la durée d'une garantie ou modalité implicite applicable est restreinte à la période indiquée pour la garantie expresse ci-dessus. Certains territoires de compétence (ce qui peut inclure la province de Québec ou certains États des États-Unis) interdisent les limites à la durée des garanties implicites; la restriction susmentionnée pourrait donc ne pas s'appliquer à vous. Les descriptions orales ou écrites du produit ont pour seul objet d'indiquer les produits et ne sauraient être interprétées dans le sens d'une garantie expresse.

Autant que possible, chaque disposition de cette garantie limitée est interprétée de sorte qu'elle soit valide sous le régime de la loi applicable, mais si l'une de ses dispositions est déclarée interdite ou nulle, cette disposition n'est nulle que dans la mesure de cette interdiction ou nullité, et les autres éléments de cette disposition ainsi que les autres dispositions de la garantie limitée restent valides.

Recours : Durant la période de la garantie limitée applicable, l'entreprise fournira, à son choix, des pièces de rechange ou des services de réparation ou de remplacement sans frais pour tout produit ou toute pièce de produit, dans la mesure où l'entreprise constate que la présente garantie limitée s'applique à ce produit ou à cette pièce dans le contexte d'une utilisation et d'un entretien normaux. L'entreprise vous expédiera le produit réparé, son remplacement ou les pièces de rechange sans frais. Vous assumez la totalité des coûts de mise hors service, de réinstallation, d'expédition et d'assurance et les autres frais de transport associés à la livraison du produit ou de la pièce à l'entreprise. Si vous devez envoyer le produit ou la pièce à l'entreprise, conformément à ses instructions, vous devez emballer adéquatement le produit ou la pièce; l'entreprise n'est pas responsable des dommages survenus durant le transport. L'entreprise se réserve le droit d'utiliser des produits ou pièces remis à neuf, réparés ou remanufacturés aux fins de réparation ou de remplacement dans le cadre de la garantie. Ces produits et ces pièces seront comparables quant à la fonction et aux performances avec les produits ou pièces d'origine, et protégés par une garantie pour la durée restante de la période de garantie initiale (ou d'une période plus longue si la loi en vigueur l'exige).

L'entreprise se réserve le droit, à son entière discrétion, de rembourser le montant que vous avez effectivement payé pour le produit. Si le produit ou la pièce n'est plus disponible, elle peut le ou la remplacer par un produit similaire de valeur égale ou supérieure, à son entière discrétion. Ceci constitue votre seul recours advenant un non-respect de la présente garantie limitée.

Exclusion des dommages : L'OBLIGATION DE L'ENTREPRISE DE FOURNIR DES PIÈCES DE RECHANGE, OU DE RÉPARER OU REMPLACER LE PRODUIT, À SON CHOIX, EST VOTRE SEUL RECOURS EN VERTU DE LA PRÉSENTE GARANTIE LIMITÉE ET L'UNIQUE OBLIGATION DE L'ENTREPRISE. CETTE DERNIÈRE N'EST PAS RESPONSABLE DES DOMMAGES INDIRECTS OU SPÉCIAUX DÉCOULANT DIRECTEMENT OU INDIRECTEMENT DU PRODUIT, DE SON UTILISATION OU DE SES PERFORMANCES.

Certains territoires de compétence interdisent l'exclusion ou la restriction des dommages indirects; la restriction qui précède pourrait donc ne pas s'appliquer à vous. Cette garantie vous donne des droits spécifiques, et vous pourriez aussi avoir d'autres droits, qui varient selon le territoire de compétence. Les renoncements, exclusions et restrictions de responsabilité aux termes de cette garantie ne s'appliquent pas dans la mesure où la loi en vigueur interdit une telle application.

La présente garantie ne s'applique qu'au remplacement ou à la réparation de produits ou pièces de produit défectueux effectué au principal lieu d'affaires de l'entreprise, et exclut les frais de déplacement et de subsistance liés aux services fournis sur le terrain.

Tout soutien que l'entreprise vous fournit ou vous procure et qui n'est pas visé par les dispositions, limites ou exclusions de la présente garantie limitée ne constitue pas une renonciation à ces dispositions, limites ou exclusions, et la fourniture de ce soutien ne prolonge ni ne rétablit la garantie.

L'entreprise ne vous remboursera pas vos dépenses faites pour la réparation ou le remplacement d'un produit défectueux, sauf celles pour lesquelles vous avez obtenu le consentement écrit de l'entreprise.

Comment obtenir le service de garantie : Pour avoir droit au service de garantie, vous devez : a) aviser l'entreprise à l'adresse ou au numéro de téléphone indiqué ci-dessous dans les sept (7) jours qui suivent la date où vous avez eu connaissance de la défectuosité couverte, b) indiquer le numéro de modèle et les données d'identification de la pièce, et c) décrire la nature de toute défectuosité du produit ou de la pièce. Au moment où vous demandez le service de garantie, vous devez présenter une preuve de la date de l'achat initial. Si vous ne pouvez pas produire de copie de l'original de la garantie limitée, alors ce seront les modalités de la dernière version de la garantie limitée de votre produit de l'entreprise qui s'appliqueront.

#### SPÉCIFICATIONS DU PRODUIT

Toutes les illustrations et les spécifications des produits contenues dans ce catalogue sont établies d'après les plus récentes données disponibles en date de la production. Broan-NuTone LLC et BEST<sup>MD</sup> se réservent le droit de modifier les prix, les couleurs, les composants, les produits, les spécifications et les modèles, de déplacer le lieu de fabrication et de cesser la production d'un modèle ou d'un produit, et ce, en tout temps et sans préavis.

Best

Broan-NuTone LLC : 926 W. State Street, Hartford (WI) 53207 1 800 637-1453

Best<sup>MD</sup>, 550, boul. Lemire, Drummondville (Québec), Canada (1 866 737-7770) fr.bestrangehoods.ca

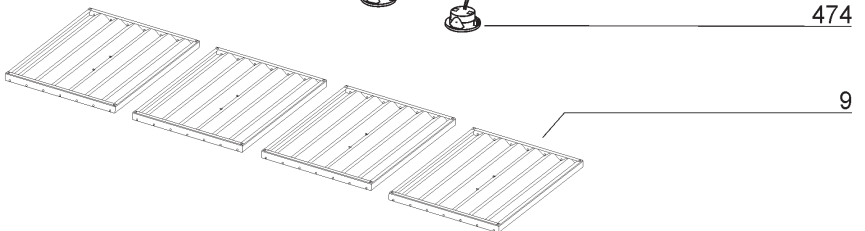
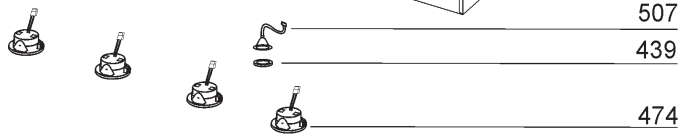
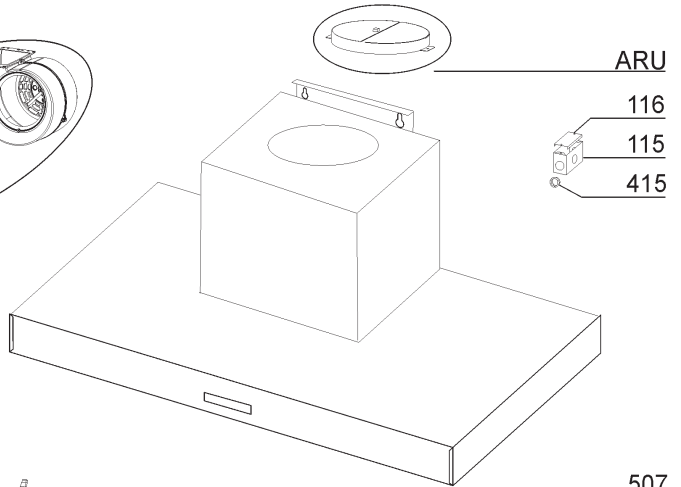
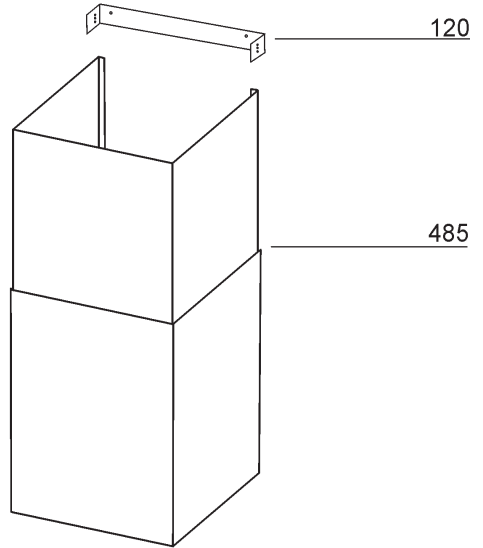
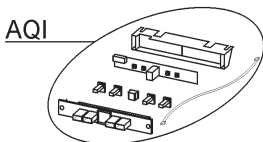
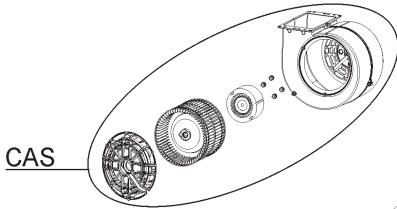
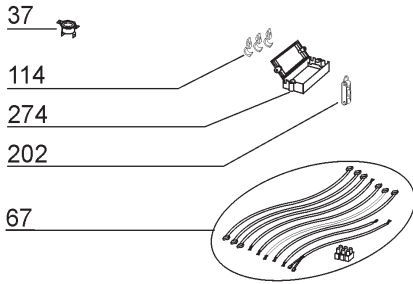
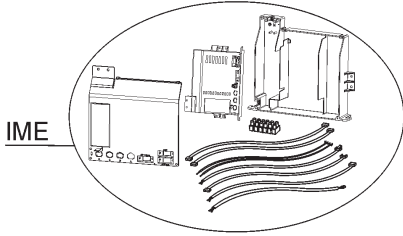
# PIÈCES DE RECHANGE

## MODÈLE WPB9

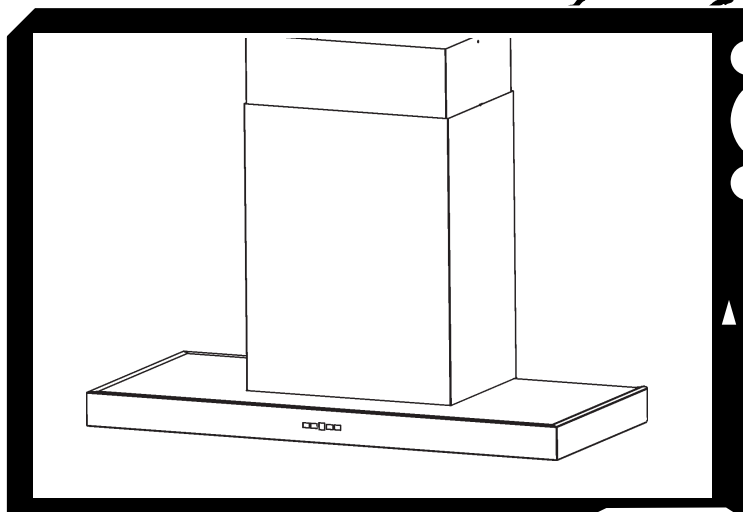
N.	PART N.	DESCRIPTION
9	B08087951	Filtres à graisse
37	B02300804	Capteur de température
67	B06102611	Ensemble de Fils
114	B03292499	Fils de passage
115	BE3350233	Boîte de alimentation
116	BE3334252	Couvercle Boîte de alimentation
120	BE3353371	Support de montage du carneau
202	B03292290	Serre-fil
274	B03295035	Boîte Fusible
415	B03292596	Chaurmad
439	B02320034	Manchon en Caoutchouc
474	B02300918	Ampoule Halogène
485	B08016409	Conduit décoratif Assemblée
507	B06102584	Bouton Calibration Assemblée
AQI	B06102596	Ensemble de Tableau de Commandes
ARU	BE3405192	Connector Conduit Assemblée 10"
IME	B06145225	Ensemble de l'Installation Électrique
CAS	B06002259	Ensemble de Soufflante
998	B080811032	Accessoires de fixation

\* Illustrées separement.





# best®



## Modelo WPB9

ENGLISH.....	3
FRANÇAIS.....	18
ESPAÑOL.....	35

En EE.UU.: BEST Hartford, Wisconsin  
En CANADÁ - BEST Drummondville, QC, Canada

REGISTRE SU PRODUCTO EN LÍNEA EN: [www.BestRangeHoods.com/register](http://www.BestRangeHoods.com/register)  
Para obtener información adicional visite [www.BestRangeHoods.com](http://www.BestRangeHoods.com)



# LEA Y CONSERVE ESTAS INSTRUCCIONES

 **PARA COCINAS DOMÉSTICAS SOLAMENTE** 

  **ADVERTENCIA**

**PARA REDUCIR EL RIESGO DE INCENDIOS, DESCARGAS ELÉCTRICAS O LESIONES PERSONALES, RESPETE LO SIGUIENTE:**

1. Utilice esta unidad sólo de la manera prevista por el fabricante. Si tiene preguntas, comuníquese con el fabricante a la dirección o el número de teléfono que aparecen en la garantía.
2. Antes de realizar el mantenimiento de la unidad o de limpiarla, desconecte la energía en el panel de servicio y bloquéelo para evitar conectar la energía accidentalmente. Cuando no se pueda bloquear el mecanismo de desconexión, fije firmemente un dispositivo de advertencia que se destaque, como una etiqueta, en el panel de servicio.
3. Una persona capacitada debe realizar el trabajo de instalación y el cableado eléctrico conforme a los códigos y estándares correspondientes, incluidos los códigos y estándares de construcción de resistencia al fuego.
4. Es necesario que haya suficiente aire para que se produzca una combustión adecuada y los gases de los equipos que consumen combustible se puedan evacuar a través del conducto de humo (chimenea) para evitar el contraraje. Siga las directrices y las normas de seguridad del fabricante del equipo de calefacción como las publicadas por la Asociación Nacional de Protección contra Incendios (National Fire Protection Association, NFPA) y la Sociedad Americana de Ingenieros en Calefacción, Refrigeración y Aire Acondicionado (American Society for Heating, Refrigeration and Air Conditioning Engineers, ASHRAE) y las autoridades de códigos locales.
5. Cuando realice cortes o perforaciones en paredes o techos, no dañe el cableado eléctrico ni otros servicios públicos ocultos.
6. Los ventiladores entubados siempre deben ventilarse hacia el exterior.
7. No utilice esta unidad con un dispositivo de control de velocidad de estado sólido independiente.
8. Para reducir el riesgo de incendios, sólo utilice entubados de metal.

## **INSTRUCCIONES DE CONEXIÓN A TIERRA**

Este artefacto se debe conectar a tierra. En caso de un cortocircuito eléctrico, la conexión a tierra reduce el riesgo de descarga eléctrica al proporcionar un cable de escape para la corriente eléctrica.

**ADVERTENCIA:** la conexión a tierra incorrecta puede crear riesgo de descarga eléctrica.

Consulte a un electricista capacitado si no comprende por completo las instrucciones de conexión a tierra o si tiene dudas sobre si el artefacto está conectado a tierra correctamente.

## **PARA REDUCIR EL RIESGO DE INCENDIOS POR GRASA EN LA COCINA:**

- A. Nunca deje las unidades de superficie sin cuidado en graduaciones altas. Los derrames por ebullición generan humos y derrames grasosos que pueden encenderse. Caliente aceites lentamente en una graduación baja o media.
- B. Siempre ENCIENDA la campana cuando cocine con mucho calor o cuando flambea alimentos (por ejemplo crepes Suzette, cerezas jubileo, filete flambeado a la pimienta).
- C. Limpie los ventiladores con frecuencia. No se debe dejar acumular grasa en el ventilador ni en el filtro.
- D. Utilice una cacerola del tamaño adecuado. Siempre utilice utensilios de cocina apropiados para el tamaño del elemento de la superficie.

## **ADVERTENCIA**

**PARA REDUCIR EL RIESGO DE LESIONES PERSONALES EN CASO DE UN INCENDIO POR GRASA EN LA COCINA, RESPETE LO SIGUIENTE: \***

1. SOFOQUE LAS LLAMAS con una tapa bien ajustada, una bandeja para hornear o una bandeja metálica y luego apague el quemador. **TENGA LA PRECAUCIÓN DE EVITAR QUEMADURAS.** Si las llamas no se apagan inmediatamente, **SALGA Y LLAME A LOS BOMBEROS**
2. **NUNCA TOQUE UNA CACEROLA EN LLAMAS:** puede quemarse.
3. **NO USE AGUA,** incluso toallas o repasadores húmedos. Se producirá una explosión de vapor violenta.
4. Utilice un extintor de incendios **SÓLO** si
  - A. Sabe que tiene un extintor de incendios Clase ABC y ya sabe utilizarlo
  - B. El fuego es pequeño y está contenido en el área donde comenzó.
  - C. Se está llamando a los bomberos.
  - D. Puede combatir el incendio de espaldas hacia una salida.

\* Según los “Consejos de seguridad para incendios en la cocina” publicado por la NFPA.

## **PRECAUCIÓN**

1. Sólo para uso en interiores.
2. Para reducir el riesgo de incendios y eliminar el aire correctamente, asegúrese de dirigir el aire hacia afuera. No ventile el aire de escape en espacios dentro de paredes o techos ni en áticos, sótanos o garajes.
3. Tenga cuidado cuando use agentes de limpieza o detergentes.
4. Evite usar productos alimenticios que produzcan llamas debajo de la campana para cocina.
5. Sólo para uso de ventilación general. No utilice para purgar materiales y vapores explosivos o peligrosos.
6. Para evitar causar daños en el cojinete del motor y que los propulsores queden desbalanceados o ruidosos, mantenga el polvillo de paredes de yeso, polvo de construcción, etc. alejados de la unidad motriz.
7. El motor de la campana tiene relés térmicos que se apagan automáticamente si el motor se sobrecalienta. El motor se reiniciará cuando se enfríe. Si el motor se sigue apagando y reiniciando, realice el mantenimiento de la campana.
8. Para capturar mejor las impurezas de la cocina, la parte inferior de la campana debe tener un espacio de como mínimo 24” (61 cm) y como máximo 36” (91 cm) por encima de la superficie de cocción. Consulte la sección “Instalación del soporte de montaje” para obtener las restricciones de montaje.
9. Se recomienda que haya dos instaladores debido al gran tamaño y peso de esta campana.
10. Este producto está equipado con un termostato que puede iniciar el extractor automáticamente. Para reducir el riesgo de lesiones y evitar conectar la energía accidentalmente, desconecte la energía en el panel de servicio y bloquéelo o etiquételo.
11. Lea la etiqueta de especificación en el producto para obtener más información y requisitos.

# LIMPIEZA Y MANTENIMIENTO

---

El mantenimiento adecuado de la campana para cocina garantizará el rendimiento correcto de la unidad.

## Motor

El motor está constantemente lubricado y nunca necesita engrase. Si los cojinetes del motor hacen un ruido excesivo o inusual, reemplace el motor con el mismo motor de servicio. También se debe reemplazar el propulsor.

## Filtros de grasas

Se deben limpiar los filtros de grasas regularmente. Utilice una solución de detergente tibia. Los filtros de grasas son aptos para lavavajillas.

Limpie los filtros que sean completamente de metal del lavavajillas con un detergente sin fosfato. Es posible que se produzca una decoloración del filtro si se usan detergentes con fosfato o como resultado del estado del agua local, pero esto no afectará el rendimiento del filtro. Esta decoloración no está cubierta por la garantía.

Consulte la sección "INSTALACIÓN DE FILTROS" para obtener instrucciones de extracción e instalación.

## Limpieza del Acero Inoxidable

### LO QUE SE DEBE HACER:

- limpiar regularmente con un paño limpio o un trapo empapado con agua tibia y jabón suave o detergente líquido.
- limpiar siempre en la dirección de las líneas pulidas originales.
- siempre enjuagar bien con agua limpia (2 ó 3 veces) después de la limpieza. secar con un trapo por completo.
- también se puede utilizar un limpiador de acero inoxidable doméstico.

### LO QUE NO SE DEBE HACER:

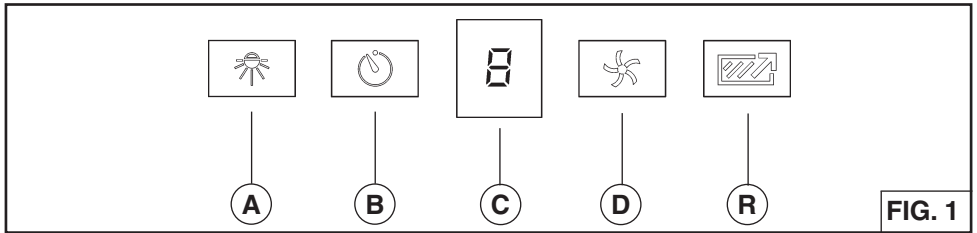
- usar cualquier esponja de acero o acero inoxidable o cualquier raspador para eliminar cualquier suciedad persistente.
- usar limpiadores agresivos o abrasivos.
- permitir que se acumule suciedad.
- dejar que el polvo de yeso o cualquier otro residuo de construcción alcance la campana. durante una construcción/renovación, cubrir la campana para cocina para asegurarse de que el polvo no se pegue en la superficie de acero inoxidable.

### Cuando elija un detergente, evite lo siguiente:

- todos los limpiadores que contienen lejía, ya que atacarán el acero inoxidable.
- todos los productos que contienen: cloruro, fluoruro, yoduro o bromuro, porque deteriorarán las superficies rápidamente.
- todos los productos combustibles usados para limpiar, como acetona, alcohol, éter, bencol, etc., puesto que son altamente explosivos y nunca se deben usar cerca de la cocina.

# FUNCIONAMIENTO

## Controles (Fig.1)



**Botón A** = Enciende las luces encendido/bajo/alto/apagado

**Botón B** = Activa/Desactiva la función de apagado por retardo. Presione una vez (cuando el extractor este encendido) para activar la función de apagado por retardo. El nivel de velocidad que es desplegado en la pantalla "C" parpadeará cuando este activada esta función. Después de 10 minutos, el extractor se apagará. La función de retardo puede ser desactivada presionando el botón en cualquier momento.

**Pantalla C** = Indica la velocidad del extractor 1, 2, 3, o "b" para impulso. "-" indica la necesidad de limpiar el filtro de grasas.

**Botón D** = Enciende el extractor. La campana se encenderá en la última velocidad seleccionada. La velocidad del extractor cambiara cada vez que el botón es presionado (de 1 a "b"). Para apagar el extractor mantenga el botón presionado por aproximadamente 2 segundos.

**Botón R** = Restablecer el indicador para limpiar el filtro. Mantenga presionado por 2 segundos para restablecer el indicador.

### HEAT SENTRY™

La campana está equipada con un termostato HEAT SENTRY™. Este termostato es un dispositivo que encenderá o acelerará el extractor si detecta calor excesivo sobre la superficie de cocción.

1) Si el extractor está APAGADO: ENCIENDE el extractor en velocidad ALTA.

2) Si el extractor está ENCENDIDO en un ajuste de velocidad bajo: cambia el extractor a velocidad ALTA.

Cuando el nivel de temperatura descienda a normal, el extractor regresará a su ajuste original.

### ADVERTENCIA

El termostato HEAT SENTRY puede iniciar el extractor aún si la campana está APAGADA. Cuando sucede esto, es imposible APAGAR el extractor con su interruptor. Si debe detener el extractor, hágalo desde el panel eléctrico principal.

### MANDO A DISTANCIA:

Un mando a distancia opcional Serie ACR (comprado por separado) se puede utilizar para el funcionamiento de la campana.

## FOCOS HALÓGENOS

Esta campana para cocina necesita 4 lámparas halógenas (tipo T4, 120 Volt, 25 Watt Max, G9 Base).

**ADVERTENCIA:** siempre desconecte el suministro eléctrico antes de realizar cualquier operación en el arfacto.

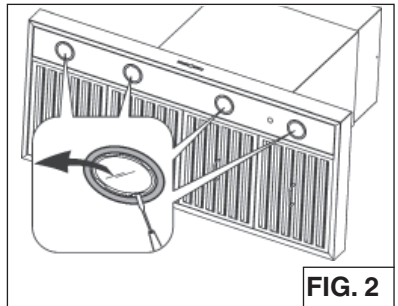
Para cambiar los focos:

1. Abra la tapa haciendo palanca desde las ranuras correspondientes (Fig.2).

2. Retire los focos tirando de los costados (NO LOS HAGA GIRAR).

**PRECAUCIÓN:** los focos pueden estar calientes.

3. Reemplacelos por focos halógenos del Tipo T4, de 120 Voltios, 25 Vatios Máximos, G9 Base. No toque los focos de repuesto con las manos sin protección!



## PREPARACIÓN DE LA CAMPANA

Desensamble la campana y revise el contenido.

Debe recibir:

1 - Campana

1 - Chimenea decorativa

1 - Bolsa de piezas (080811032) que contiene:

1 - Casquillo

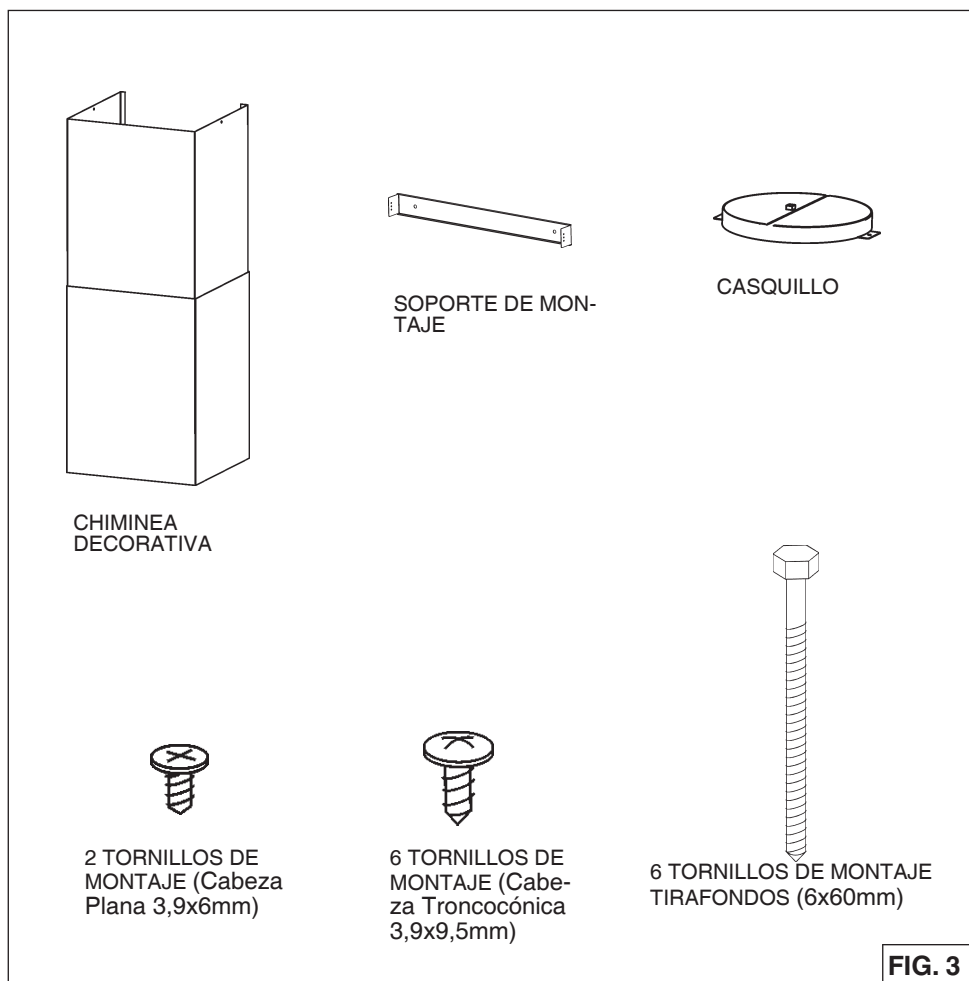
6 - Tornillos de montaje (Cabeza troncocónica 3.9 x 9.5 mm)

2 - Tornillos de montaje (Cabeza plana 3.9 x 6 mm)

6 - Tornillos de montaje tirafondos (6 x 60mm)

1 - soporte de montaje

1 - Instrucciones de instalación

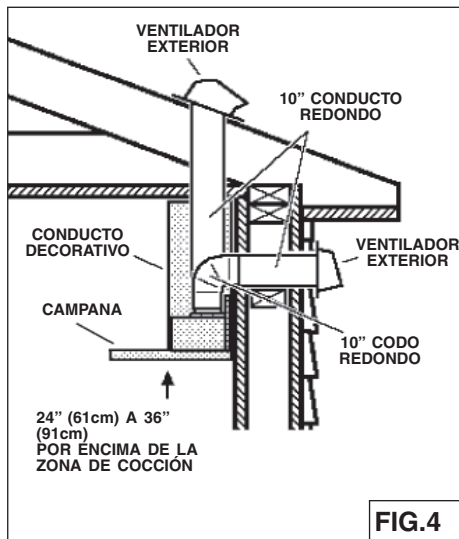




## INSTALACION DEL CONDUCTO DE EXTRACCIÓN

**NOTA:** para evitar el riesgo de incendio, use solamente material de metal.

1. Decida donde va a colocar el conducto de extracción entre la campana y la parte exterior.
2. Un recorrido de conducto corto y recto permitirá a la campana funcionar de manera más eficaz.
3. Los recorridos largos de conducto, codos y transiciones impiden el buen funcionamiento de la campana. Use el menor número de ellos posible.
4. Instale una cubierta ó una tapa. Conecte 10" conducto redondo de metal a la cubierta y retroceda hasta la posición de la campana. Use una cinta para precintar las juntas entre las partes del entubado (Fig.4).



**FIG.4**

## FIJAR LA PLACA ELECTRICAL

Fijar la placa eléctrica con 4 tornillos (3.9x9.5mm) para el capó, los tornillos se colocados en la bolsita para el montaje (Fig.5).

## INSTALE LA CAMPANA

Remueva la película plástica protectora de todas las superficies exteriores, chimeneas decorativas y filtros, previo a su instalación final.

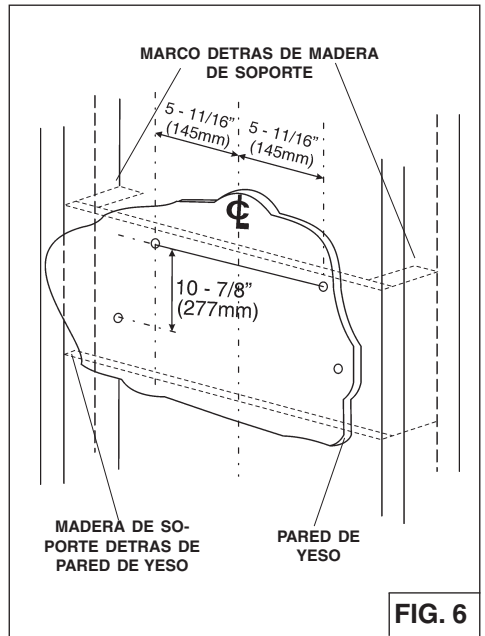
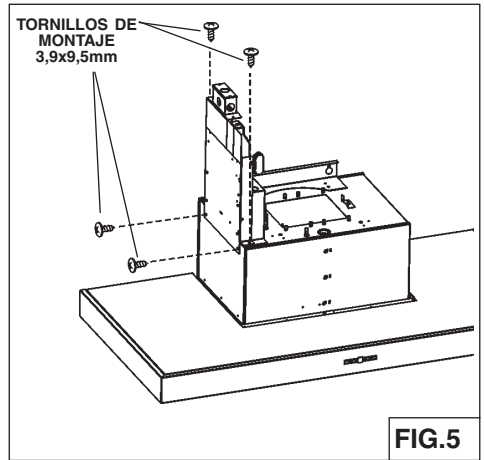
1. Construya un marco de madera dentro de la pared que este al ras de los taquetes (Fig. 6).

Asegurarse que:

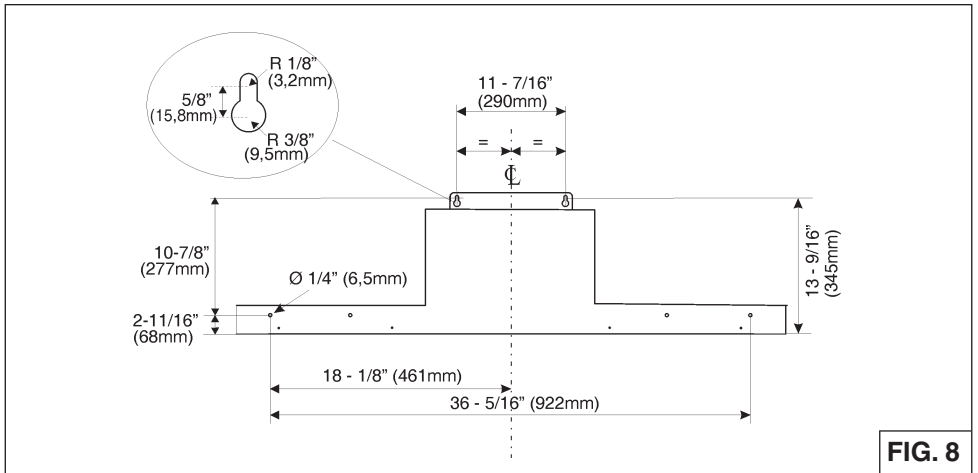
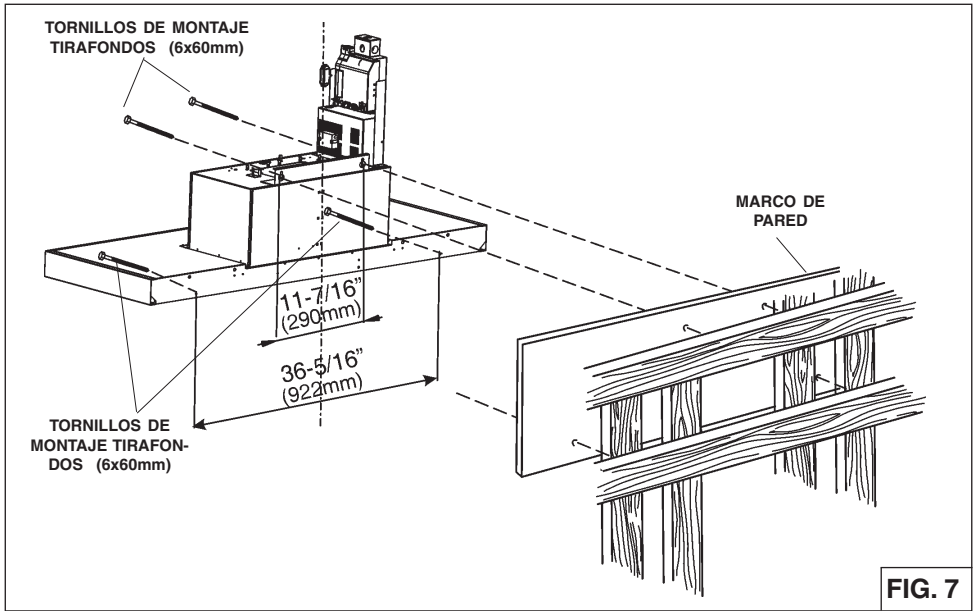
- a) el marco este centrado sobre la ubicación de instalación.
  - b) la altura y el ancho del marco permita que la campana sea asegurada dentro de las dimensiones mostradas en la Fig.8.
2. Instale tornillos (2) 6 x 60mm para parte superior de campana en las posiciones mostradas en la figura 7. Utilice los 2 orificios mayor, no apriete completamente los tornillos.
  3. Sujete la campana sobre los tornillos.
  4. Asegúrela con los tornillos (2) 6 x 60 mm en las posiciones inferior. Apriete todos los tornillos (4).

Notas:

- a. Distancia mínima sobre la superficie de cocción no deberá ser menor a 24"(61cm). Un máximo de 36" por encima de la superficie de cocción es altamente recomendado para la mejor captura de impurezas de cocción. Distancias superiores a 36"(91cm) son a discreción del instalador o usuario; y si la altura de la chimenea decorativa o techo lo permiten.

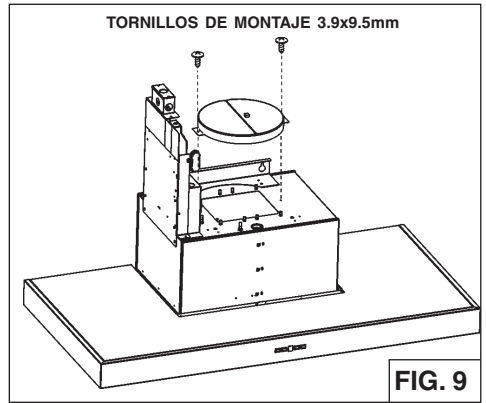


Altura del techo (pies)	Metodo de ducto	Distancia de 90cm (36plg.) de la campana sobre superficie de cocción superior (plg.)													
		24	25	26	27	28	29	30	31	32	33	34	35	36	
		Altura de los agujeros de montaje sobre superficie cocción superior (plg)													
		37-5/8	38-5/8	39-5/8	40-5/8	41-5/8	42-5/8	43-5/8	44-5/8	45-5/8	46-5/8	47-5/8	48-5/8	49-5/8	
8	Con ducto	36	35	34	33	32	31	30	29	28	27	26	25	24	
9	Con ducto	48	47	46	45	44	43	42	41	40	39	38	37	36	



## **FIJAR EL CASQUILLO**

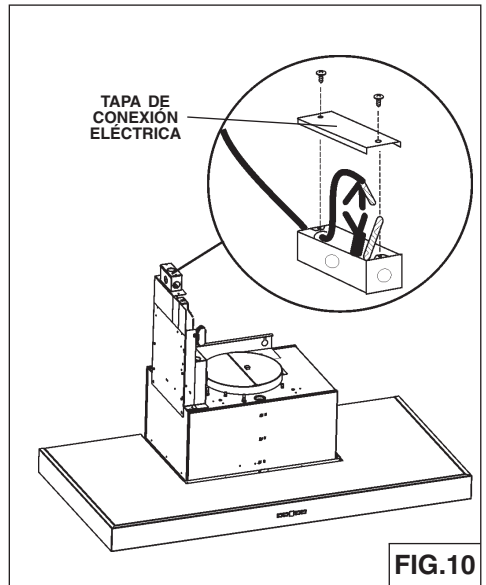
Fijar el casquillo a descarga del extractor con 4 tornillos (3.9x9.5mm), los tornillos se colocados en la bolsita para el montaje (Fig.9).



## **INSTALACIÓN ELÉCTRICA**

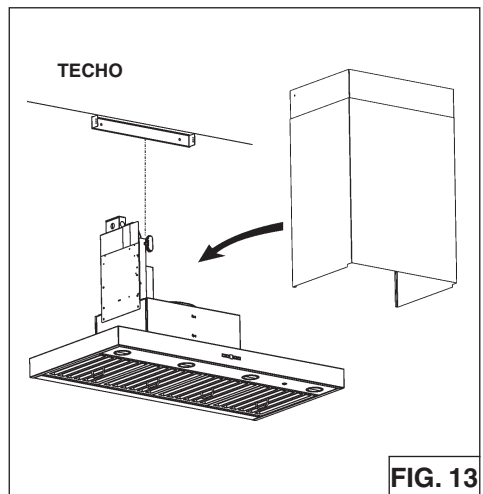
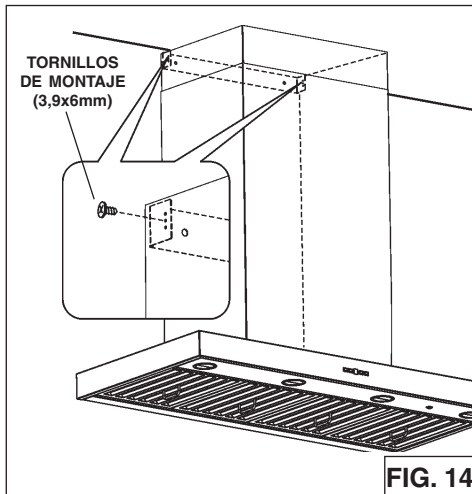
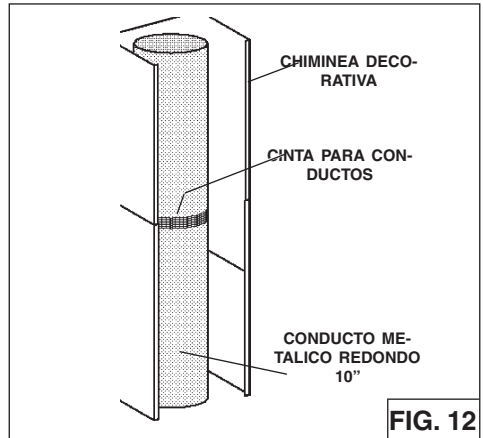
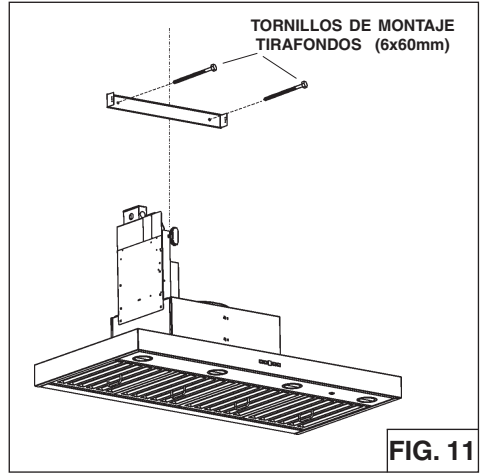
**Nota:** Este tipo de campana tiene que ser conectada a tierra cuidadosamente. La unidad debe instalarla un técnico electricista siguiendo las normas nacionales y locales.

1. Quite la **tapa de la caja de conexión eléctrica** y saque un cable (Fig.10).
2. Fije el “conduit” a la caja de conexión por medio de un conector idóneo para el “conduit”.
3. Haga las conexiones eléctricas, una blanco con blanco, negro con negro y verde con verde.
4. Vuelva a conectar la tapa de la caja de conexión. Compruebe que los cables no queden pillados.



# INSTALACION DEL SOPORTE DE MONTAJE DE MONTAJE

1. **Cuidadosamente** centre el soporte de montaje directamente sobre ubicación de campana de cocina.
2. Asegure el soporte a la pared utilizando los tornillos de montaje (2) 6 x 60mm (Fig.11). Asegúrese que el soporte este contra la esquina, junto con la pared is es necesario, y centrado sobre sobre la campana.
3. Sujete tubería a conector de ducto/regulador de aire.
4. Coloque conductos metálicos de 10" en la ubicación exterior (Fig. 12).
5. Instale una tapa apropiada de pared o tejado con el regulador de aire para que escape el aire al exterior.
6. Coloque cinta de aluminio en todas las uniones de conductos.
7. Instale chimenea decorativa en la parte superior de su campana de cocin (Fig.13).
8. Asegure chimenea decorativa superior a el soporte de montaje con tornillos (2) 3.9 x 6mm (Fig. 14).

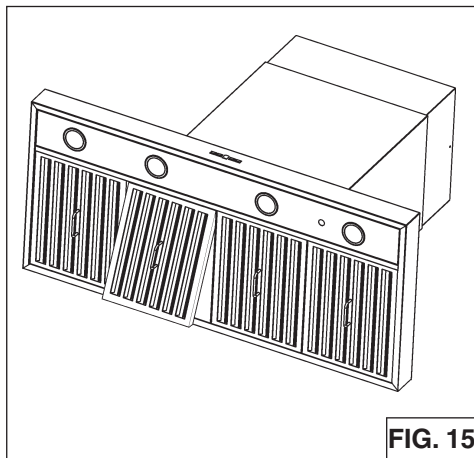


## INSTALACION DE LOS FILTROS

---

Nota: previo a su uso, retire película protectora del marco de filtro.

1. Para quitar el filtro de grasas, (Fig. 15) empuje el filtro hacia el frente hasta que se libere de la guía, después tire del filtro para soltarlo de la campana. Inclinar filtro y quitar.
2. Los filtros de grasas (consulte la página 39 para instrucciones de limpieza) deberán ser limpiados frecuentemente. Utilice una solución de detergente tibia. Los filtros de grasas son aptos para lavavajillas.
3. Para instalar filtro de GRASAS, alinear las pestañas del filtro con el resorte en campana. Jale manija, y empuje filtro en posición y suelte. Revise que el filtro este bien asegurado después de su instalación.



## CALIBRACIÓN DEL VENTILADOR IQ™

### SOLO UNIDADES CON CONDUCTOS DE VENTILADOR INTERNO

Después de instalar y cablear la campana, active el proceso de calibración (nuestra tecnología de sistema de desempeño garantizado, para asegurar que se suministre el flujo de aire nominal total). Antes de la calibración, asegúrese de que todos los filtros, bombillas de luz y el sistema de conductos estén instalados.

### PROCESO DE CALIBRACIÓN

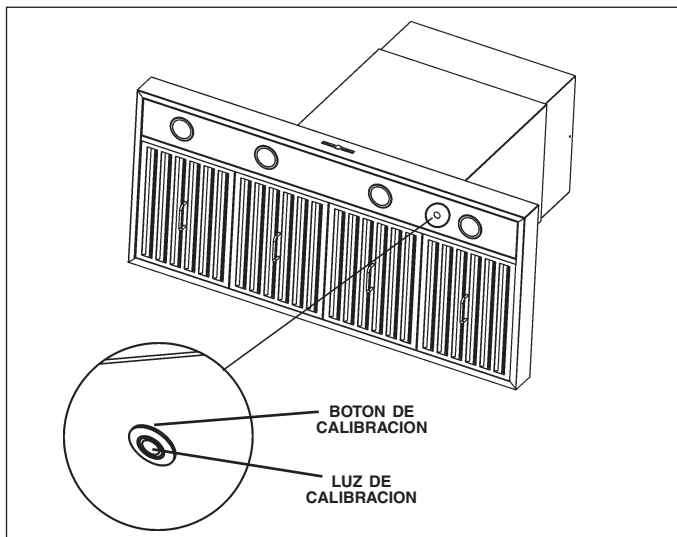
Sostenga el botón de calibración 3 segundos; el botón se encenderá y estará así hasta por 13 minutos. El ventilador arrancará y comenzará el proceso de calibración. Cuando se termine la calibración, ocurrirá una de dos cosas:

1. El ventilador se apaga y la luz del botón de calibración permanece encendida = Calibración exitosa. Presione el botón para apagar la luz LED. Nota: La luz LED también se apagará si selecciona alguna velocidad del ventilador en el control.
2. El ventilador se apaga y el botón de calibración destella continuamente = Demasiada restricción en los conductos impide que el ventilador IQ™ obtenga el flujo de aire nominal. El ventilador se configura automáticamente en su intensidad máxima.

NOTA: Elementos comunes que provocan restricciones: el alerón del regulador está restringido (regulador de contratiro, tapa de pared, tapa de techo), demasiados codos, tamaño de conducto menor del 80% de salida de la campana, mala transición, uso de conductos flexibles y/o conductos aplastados.

Hay disponibles tres opciones si el sistema de campana tiene demasiada restricción:

1. Aceptar el flujo de aire como está.
  - a. Presione el botón de calibración para aceptar el flujo de aire tal cual. El ventilador IQ™ está configurado ahora en el rendimiento más alto posible. La luz de calibración destellante se apaga.  
Nota: La luz LED también se apagará si selecciona alguna velocidad del ventilador en el control.
2. Corrija la restricción del conducto, despeje los datos de calibración originales y repita el proceso de calibración.
  - a. Corrija la restricción del conducto.
  - b. Despeje los datos de calibración originales manteniendo presionado el botón de calibración durante 10 segundos. La luz destellará 3 veces para confirmar y la configuración del ventilador regresará a los ajustes predeterminados.
  - c. Repita el proceso de calibración desde el principio.
3. Despeje los datos de calibración para reiniciar la campana a la configuración de fábrica y obtener un rendimiento estándar de alta presión del ventilador.
  - a. Despeje los datos de calibración y reinicie la campana a los ajustes predeterminados de fábrica manteniendo presionado el botón de calibración durante 10 segundos. La luz destellará 3 veces para confirmar y la configuración del ventilador regresará a los ajustes predeterminados.



#### Garantía limitada

Periodo de garantía y exclusiones: Broan-NuTone LLC (la «Compañía») garantiza al consumidor quien compra su producto («Usted») que el producto (el «Producto») será libre de defectos importantes de fabricación y de materiales por una duración de cinco (5) años a partir de la fecha de compra (o por una duración más larga si la ley aplicable lo exige) o un periodo de dos (2) años a partir de la fecha de prestación de un servicio sobre el Producto.

El periodo de garantía limitada para las piezas de repuesto proporcionadas por la Compañía y los Productos reparados o reemplazados bajo esta garantía limitada será el resto del periodo de garantía original (o un periodo más largo si la ley aplicable lo exige).

ESTA GARANTÍA EXCLUYE LOS ARRANCADORES DE LÁMPARAS FLUORESCENTES, LOS TUBOS, LAS BOMBILLAS, LOS FUSIBLES, LOS FILTROS, LOS CONDUCTOS, LAS TAPAS PARA TECHO, LAS TAPAS PARA PARED Y LOS OTROS ACCESORIOS PARA CONDUCTOS. También excluye: a) el mantenimiento normal, b) el uso y desgaste normales, c) los productos y las piezas que han sido objeto de un uso indebido, anormal o negligente, un maltrato, un accidente, un mantenimiento, almacenamiento o reparación inadecuados (excepto en caso de reparación por la Compañía), d) los daños causados por una instalación inadecuada, o por una instalación o un uso contrario a las recomendaciones o instrucciones, e) los daños causados por el contacto con el aire salino, f) los daños que ocurran durante el transporte, g) el desgaste normal del acabado, h) los Productos que son objeto de un uso comercial o no residencial, i) los daños causados por el fuego, una inundación u otro desastre natural o j) los Productos a los cuales se les haya alterado, desfigurado o removido el número de serie. Esta garantía solo cubre los Productos vendidos a consumidores de Norteamérica.

Esta garantía sustituye todas las garantías anteriores y, sin perjuicio de la ley aplicable, no se puede transferir por el comprador original.

Ninguna otra garantía: Esta garantía limitada es la única obligación de la Compañía y el único recurso que tiene Usted en cuanto a los Productos defectuosos. Las garantías enunciadas arriba son exclusivas y se anteponen a todas las otras garantías y condiciones, ya sean expresas o implícitas. EN LA MEDIDA MÁXIMA EN QUE LO PERMITA LA LEY APLICABLE, LA COMPAÑÍA RENUNCIA A TODAS LAS OTRAS GARANTÍAS Y CONDICIONES EXPRESAS O IMPLÍCITAS POR LA LEY Y LAS EXCLUYE, INCLUYENDO, ENTRE OTRAS, LAS GARANTÍAS DE COMERCIALIZACIÓN Y LAS DE IDONEIDAD PARA UN PROPÓSITO PARTICULAR. En la medida en que la ley aplicable prohíba la exclusión de las garantías o condiciones implícitas, la duración de cualquier garantía o condición implícita aplicable se limita al periodo indicado para la garantía expresa mencionada arriba. Ciertas jurisdicciones (incluyendo a veces la provincia de Quebec o ciertos estados de los Estados Unidos) prohíben la restricción de la duración de las garantías implícitas, así que la restricción mencionada arriba podría no aplicarse a Usted. Las descripciones orales o escritas del Producto tienen como único propósito identificar al Producto y no se deben interpretar como una garantía expresa.

Cuando sea posible, cada disposición de esta garantía limitada debe interpretarse de manera que tenga plena validez y efectos legales bajo la ley aplicable, pero en el caso de que se declare prohibida o nula una disposición, ésta será nula solo en la medida en que lo prevea esta prohibición o nulidad, sin efecto para los otros elementos de esta disposición o las otras disposiciones de esta garantía limitada.

Recurso: Durante el periodo de garantía limitada aplicable, la Compañía, según su criterio, proporcionará piezas de repuesto o servicios de reparación o reemplazo sin cargo alguno para cualquier Producto o pieza de Producto, en la medida en que la Compañía constata a) que esta garantía cubre este Producto o esta pieza bajo un uso y mantenimiento normales y b) que la garantía queda incumplida. La Compañía enviará el Producto reparado, el producto de reemplazo o las piezas de repuesto sin cargo alguno. Usted tendrá que pagar todos los costos de desinstalación, reinstalación y envío así como los otros cargos de transporte relacionados con el envío del Producto o la pieza a la Compañía. Si Usted debe enviar el Producto o la pieza a la Compañía, conforme a las instrucciones de la misma, Usted tendrá que empaquetar el Producto o la pieza correctamente; la Compañía es responsable de los daños que ocurran durante el transporte. La Compañía reserva el derecho de utilizar Productos o piezas reacondicionados, renovados, reparados o remanufacturados para la reparación o el reemplazo bajo esta garantía. Estos Productos y piezas serán comparables en cuanto a la función y el rendimiento con el Producto o la pieza original y serán garantizados por la duración restante del periodo de garantía original (o por una duración más larga si la ley aplicable lo exige).

La Compañía reserva el derecho, según su exclusivo criterio, de reembolsar el monto que Usted haya realmente pagado por el Producto. Si el Producto o la pieza ya no está disponible, la Compañía puede, según su exclusivo criterio, reemplazarlo con un producto similar de valor igual o superior. Esto constituye su único y exclusivo recurso en caso de incumplimiento de esta garantía limitada.

Exclusión de los daños: LA OBLIGACIÓN DE LA COMPAÑÍA DE PROPORCIONAR PIEZAS DE REPUESTO DE REPARAR O REEMPLAZAR EL PRODUCTO, SEGÚN SU CRITERIO, ES EL ÚNICO Y EXCLUSIVO RECURSO QUE TIENE USTED BAJO ESTA GARANTÍA LIMITADA Y LA ÚNICA OBLIGACIÓN DE LA COMPAÑÍA. ÉSTA NO SERÁ RESPONSABLE DE LOS DAÑOS INCIDENTALES, INDIRECTOS, CONSECUENTES O ESPECIALES CAUSADOS DIRECTAMENTE O INDIRECTAMENTE POR EL PRODUCTO, SU USO O SU RENDIMIENTO.

Puesto que ciertas jurisdicciones prohíben la exclusión o restricción de los daños incidentales o consecuentes, la exclusión o restricción mencionada arriba podría no aplicarse a Usted. Esta garantía otorga derechos legales específicos, y Usted también podría tener otros derechos, los cuales pueden ser diferentes según la jurisdicción. Las renunciaciones, exclusiones y restricciones de responsabilidad bajo esta garantía se aplican en la medida en que lo prohíba la ley aplicable.

Esta garantía solo cubre el reemplazo o la reparación de las piezas o los Productos defectuosos al sitio de negocio principal de la Compañía; los gastos de viaje y estancia relacionados con los servicios de campo están excluidos.

Cualquier asistencia proporcionada u obtenida para Usted por la Compañía y que no está cubierta por las condiciones, restricciones o exclusiones de esta garantía limitada constituye una renuncia a estas condiciones, restricciones y exclusiones, y la prestación de dicha asistencia no prolongará o restablecerá la garantía.

La Compañía le reembolsará los gastos que Usted haya hecho por la reparación o el reemplazo de un Producto defectuoso, excepto si Usted ha previamente recibido el permiso escrito de la Compañía por ellos.

Cómo obtener el servicio de garantía: Para tener derecho al servicio de garantía, Usted debe a) informar a la Compañía a la dirección o al número de teléfono escrito aquí abajo dentro de siete (7) días después de que haya descubierto el defecto cubierto, b) dar el número de serie y los datos de identificación de la pieza y c) describir la naturaleza de cualquier defecto del Producto o de la pieza. Cuando solicite el servicio de garantía, Usted tiene que presentar una prueba de la fecha de compra original. Si no puede proporcionar una copia de la versión escrita original de la garantía limitada, las condiciones de la versión más reciente de la garantía limitada de la Compañía para su producto se aplicarán.

#### ESPECIFICACIONES DEL PRODUCTO

Todas las ilustraciones y las especificaciones en este catálogo están establecidas según la información que era la más reciente en el momento en cual fue producido. Broan-NuTone LLC y BEST® se reservan el derecho de cambiar, en cualquier momento y sin previo aviso, los precios, colores, materiales, productos, especificaciones y modelos y el lugar de fabricación, así como de parar la producción de un modelo o producto.

Best

Broan-NuTone, LLC: 926 W. State Street, Hartford, WI 53207 1 800 637-1453

Best®, 550, boul. Lemire, Drummondville (Québec), Canada (1 866 737-7770) www.bestrangehoods.com



## PIEZAS DE REPUESTO

### MODELO WPB9

N.	PIEZA NO.	DESCRIPCIÓN
9	B08087951	Filtros de grasa
37	B02300804	Sensor de temperatura
67	B06102611	Ensamble de cables
114	B03292499	Abrazadera de cables
115	BE3350233	Caja de alimentación eléctrica
116	BE3334252	Tapa de caja de alimentación eléctrica
120	BE3353371	Soporte de montaje
202	B03292290	Abrazadera de cables
274	B03295035	Caja fusible
415	B03292596	Guíacables
439	B02320034	Ojal
474	B02300918	Lampara halógena
485	B08016409	Ensamble de chimenea decorativa
507	B06102584	Ensamble de boton de calibración
AQI	B06102596	Ensamble de la caja de interruptores
ARU	BE3405192	Conector del tubo 10"
IME	B06145225	Ensamble de instalación electrica
CAS	B06002259	Ensamble de extractor
998	B080811032	Equipo de Ajuste

\* No se muestra ensamblado.

