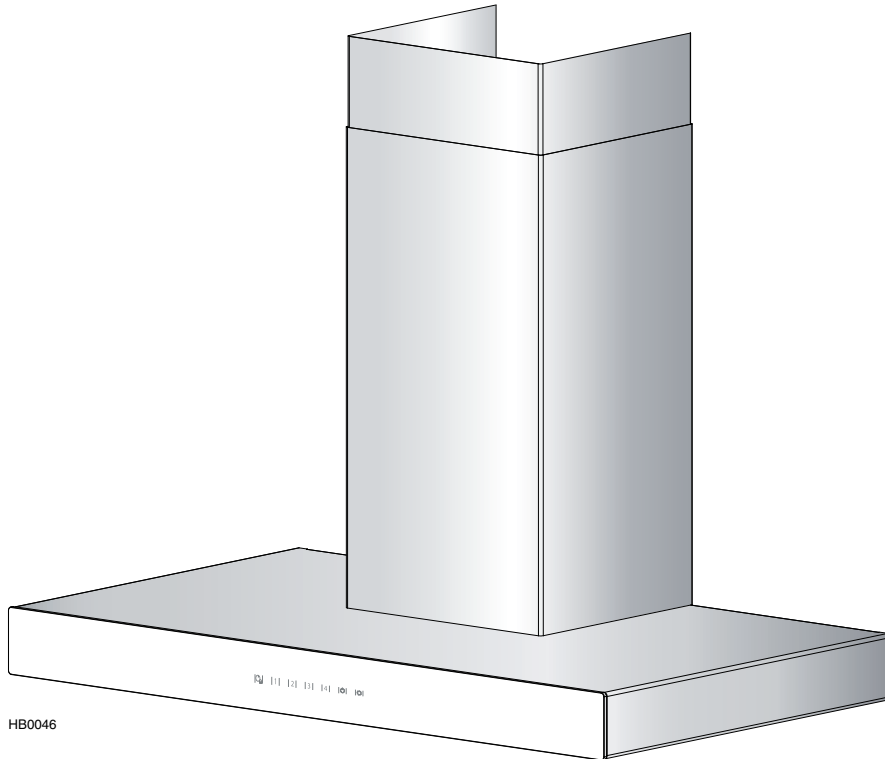


# best®



## WCB3I SERIES

⚠ INTENDED FOR DOMESTIC COOKING ONLY ⚠

**READ AND SAVE THESE INSTRUCTIONS**

INSTALLER: LEAVE THIS MANUAL WITH HOMEOWNER.  
HOMEOWNER: USE AND CARE INFORMATION ON PAGES 12 AND 13.

BEST; Hartford, Wisconsin [www.BestRangeHoods.com](http://www.BestRangeHoods.com) 800-558-1711  
BEST; Drummondville, QC, Canada [www.BestRangeHoods.ca](http://www.BestRangeHoods.ca) 866-737-7770



## **⚠️ WARNING**

---

### **TO REDUCE THE RISK OF FIRE, ELECTRIC SHOCK OR INJURY TO PERSONS, OBSERVE THE FOLLOWING:**

1. Use this unit only in the manner intended by the manufacturer. If you have questions, contact the manufacturer at the address or telephone number listed in the warranty.
2. Before servicing or cleaning unit, switch power off at service panel and lock service disconnecting means to prevent power from being switched on accidentally. When the service disconnecting means cannot be locked, securely fasten a prominent warning device, such as a tag, to the service panel.
3. Installation work and electrical wiring must be done by qualified personnel in accordance with all applicable codes and standards, including fire-rated construction codes and standards.
4. Sufficient air is needed for proper combustion and exhausting of gases through the flue (chimney) of fuel burning equipment to prevent backdrafting. Follow the heating equipment manufacturer's guidelines and safety standards such as those published by the National Fire Protection Association (NFPA) and the American Society for Heating, Refrigeration and Air Conditioning Engineers (ASHRAE) and the local code authorities.
5. When cutting or drilling into wall or ceiling, do not damage electrical wiring and other hidden utilities.
6. Ducted fans must always be vented outdoors.
7. Do not use this unit with any solid-state speed control device.
8. To reduce the risk of fire, use only metal ductwork.
9. This unit must be grounded.
10. All tempered glass can experience spontaneous breakage. If broken, tempered glass falls out of its opening in interlocking clumps. Tempered glass can, on occasion, break into large shards rather than the classic tiny piece pattern.
11. When applicable, local regulations comprise more restrictive installation and/or certification requirements, the aforementioned requirements prevail on those of this document and the installer agrees to conform to these at his own expense.

### **TO REDUCE THE RISK OF A RANGE TOP GREASE FIRE:**

- a) Never leave surface units unattended at high settings. Boilovers cause smoking and greasy spillovers that may ignite. Heat oils slowly on low or medium settings.
- b) Always turn power hood ON when cooking at high heat or when flambeing food (i.e.: Crêpes Suzette, Cherries Jubilee, Peppercorn Beef Flambé).
- c) Clean ventilating fans frequently. Grease should not be allowed to accumulate on fan, filters or in exhaust ducts.
- d) Use proper pan size. Always use cookware appropriate for the size of the surface element.

## **⚠️ WARNING**

---

### **TO REDUCE THE RISK OF INJURY TO PERSONS IN THE EVENT OF A RANGE TOP GREASE FIRE, OBSERVE THE FOLLOWING\*:**

1. SMOTHER FLAMES with a close-fitting lid, cookie sheet or metal tray, then turn off the burner. BE CAREFUL TO PREVENT BURNS. IF THE FLAMES DO NOT GO OUT IMMEDIATELY, EVACUATE AND CALL THE FIRE DEPARTMENT.
2. NEVER PICK UP A FLAMING PAN — You may be burned.
3. DO NOT USE WATER, including wet dishcloths or towels — This could cause a violent steam explosion.
4. Use an extinguisher ONLY if:
  - A. You own a Class ABC extinguisher and you know how to operate it.
  - B. The fire is small and contained in the area where it started.
  - C. The fire department has been called.
  - D. You can fight the fire with your back to an exit.

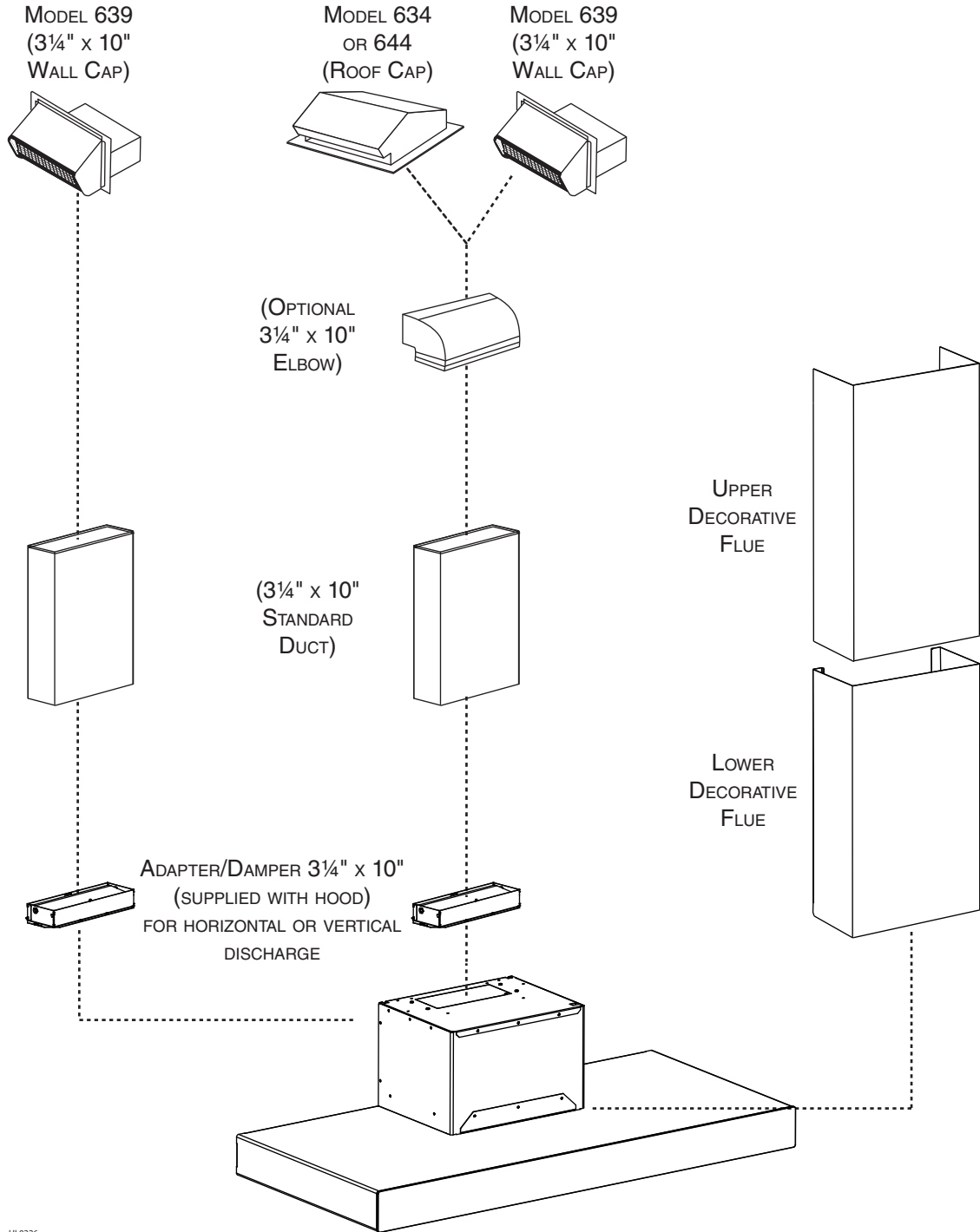
\* Based on "Kitchen Fire Safety Tips" published by NFPA.

## **CAUTION**

---

1. For indoor use only.
2. For general ventilating use only. Do not use to exhaust hazardous or explosive materials and vapors.
3. To avoid motor bearing damage and noisy and/or unbalanced impellers, keep drywall spray, construction dust, etc. off power unit.
4. Your hood motor has a thermal overload which will automatically shut off the motor if it overheats. The motor will restart when it cools down. If the motor continues to shut off and restart, have the hood serviced.
5. The minimum hood distance above cooktop must not be less than 24" (30" over a gas range). A maximum of 30" above cooktop is recommended for best capture of cooking impurities.
6. Two installers are recommended because of the large size and weight of this unit.
7. To reduce the risk of fire and to properly exhaust air, be sure to duct air outside — Do not exhaust air into spaces within walls or ceiling or into attics, crawl space or garage.
8. Because of the high exhausting capacity of this hood, you should make sure enough air is entering the house. Open a window close to or in the kitchen.
9. To reduce the risk of fire and electrical shock, the Best WCB31 Series models should only be installed with its own built-in blower.
10. Please read specification label on product for further information and requirements.

# WCB3I SERIES RANGE HOOD SYSTEM



HL0226

# TABLE OF CONTENTS

1. INSTALL DUCTWORK.....	4
2. PREPARE THE INSTALLATION.....	5
3. SELECT INSTALLATION TYPE.....	5
4. REMOVE HYBRID FILTERS.....	5
5. INSTALL GLASS PANEL (SBN MODELS ONLY).....	6
6. PREPARE THE OPENING.....	6
7. BLOWER REMOVAL (HORIZONTAL DISCHARGE ONLY).....	7
8. INSTALL THE ADAPTER/DAMPER.....	7
9. WIRING INSTALLATION.....	8
10. INSTALL HOOD MOUNTING BRACKET.....	8
11. INSTALL UPPER FLUE MOUNTING BRACKET.....	9
12. INSTALL THE HOOD.....	9
13. REINSTALL THE BLOWER (HORIZONTAL DISCHARGE ONLY).....	9
14. DUCT CONNECTION (VERTICAL DISCHARGE ONLY).....	10
15. PREPARE DECORATIVE FLUE.....	10
16. INSTALL THE DECORATIVE FLUE.....	11
17. REINSTALL HYBRID FILTERS.....	11
18. LED LIGHTING.....	12
19. CARE.....	12
20. OPERATION.....	13
21. WIRING DIAGRAM.....	14
22. SERVICE PARTS.....	15
23. WARRANTY.....	16

## 1. INSTALL DUCTWORK

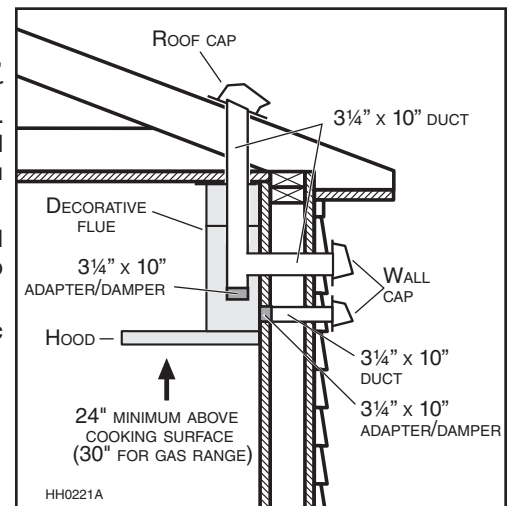
Plan where and how the ductwork will be installed.

The ducting from this fan to the outside of the building has a strong effect on the airflow, noise and energy use of the fan. Use the shortest, straightest duct routing possible for best performance, and avoid installing the fan with smaller ducts than recommended. Insulation around the ducts can reduce energy loss and inhibit mold growth. Fans installed with existing ducts may not achieve their rated airflow. Refer to the table below to help you plan the most efficient installation.

Install wall or roof cap and ensure there is no leak in house insulation. Connect metal ductwork to cap and work back towards the hood location. Use 2" metal foil duct tape to seal the joints.

**We recommend to install the hood at a minimum distance of 24" from an electric range and of 30" from a gas range.**

CEILING HEIGHT	8 FEET	9 FEET	10 FEET*
MINIMUM/MAXIMUM DISTANCE RECOMMENDED ABOVE COOKTOP FOR ELECTRIC RANGE	24 IN./30 IN.	24 IN./30 IN.	24 IN./30 IN.
MINIMUM/MAXIMUM DISTANCE RECOMMENDED ABOVE COOKTOP FOR GAS RANGE	30 IN./33 IN.	30 IN./36 IN.	30 IN./36 IN.



Distances over 36 in. are at the installer and users discretion.

\*10-ft. ceilings require 10-ft. flue extension, part no. AEWCB3SB (stainless steel) or no. AEWCB3BLS (black stainless steel) (sold separately).

### MAXIMUM DUCT LENGTH RECOMMENDED TO ACHIEVE 80% EXHAUST EFFICIENCY

3 1/4 IN. X 10 IN. MAXIMUM DUCT LENGTH	ROOF OR WALL CAP WITH DAMPER	ELBOW(S)* (90° AND/OR 45°)
60 FT.	1	0
50 FT.	1	1
40 FT.	1	2

\*STANDARD ELBOWS WITH 1" INTERNAL RADIUS.

## 2. PREPARE THE INSTALLATION

### ⚠ WARNING

**When performing installation, servicing or cleaning the unit, it is recommended to wear safety glasses and gloves.**

NOTE: Before proceeding to the installation, check the contents of the box. If items are missing or damaged, contact the manufacturer.

Make sure that the following items are included:

- Hood
- Accessories
  - Decorative flue assembly (lower and upper flues)
  - Hood mounting bracket (taped inside the hood)
  - Upper flue mounting bracket (taped inside the hood)
  - 2 hybrid filters
  - 3¼" x 10" adapter/damper (for horizontal or vertical discharge) taped inside the decorative flue
  - Bag of parts (taped inside the hood) including:
    - 5 no. 8 x 1½" countersunk screws, 8 no. 8 x ¾" screws,
    - 6 no. 8 x 3/8" screws, 6 drywall anchors, 3 washers,
    - 2 no. 8 x 1/2" screws, 2 no. 8 x 1/2" quadrex black screws,
    - 2 foam squares. If need be, discard extra hardware.

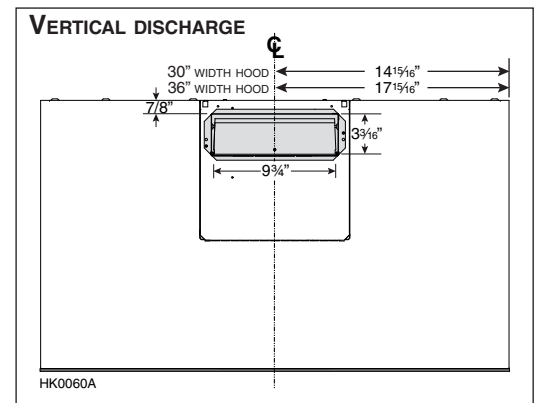
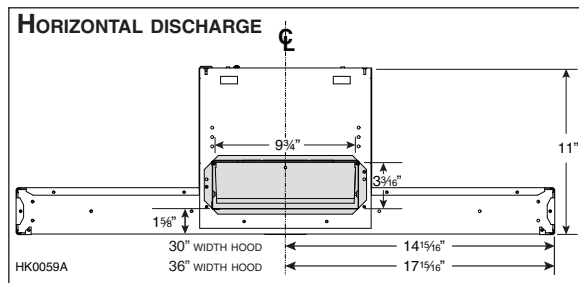
Parts sold separately:

- Duct, elbows, wall or roof caps.
- Optional flue extension for 10-ft. ceilings model AEWCB3SB (stainless steel) or AEWCB3BLS (black stainless steel).
- Glass panel for WCB3I30SBN and WCB3I36SBN models (see service parts list on page 15).

NOTE: During installation, protect countertop and/or cooktop.

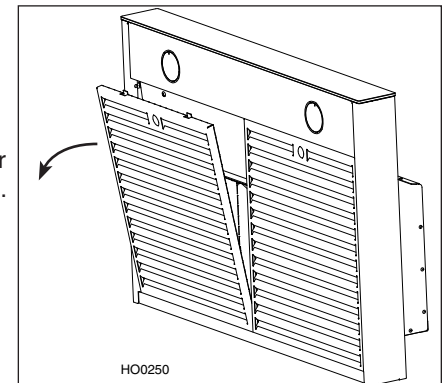
## 3. SELECT INSTALLATION TYPE

Refer to illustrations below to locate duct opening according to discharge type chosen (grey parts to be installed later).



## 4. REMOVE HYBRID FILTERS

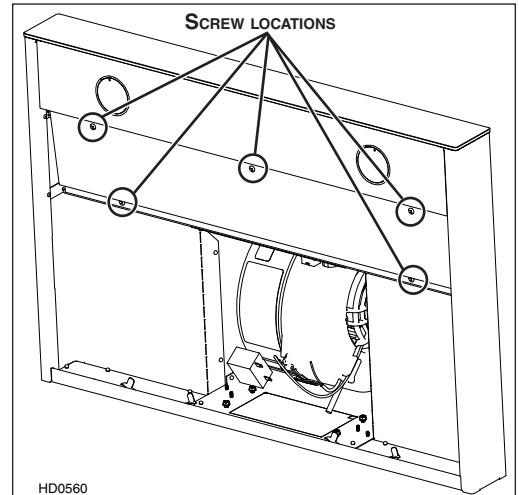
Lay the back of the hood on a table. Use a piece of cardboard to avoid damaging the table or the hood. Remove tape on filters. Remove filters by pushing them down and flipping downwards. Set the filters aside.



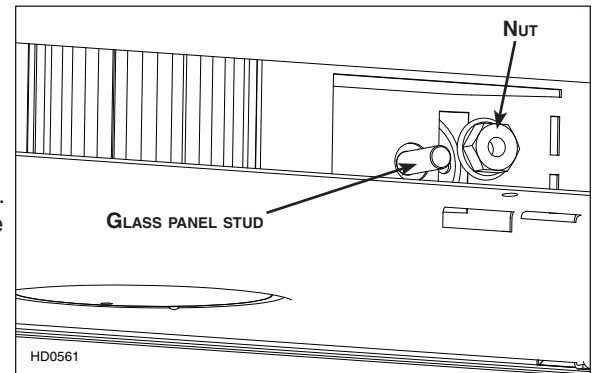
## 5. INSTALL GLASS PANEL (SBN MODELS ONLY)

The SBN hood models decorative glass panel is sold separately and has to be installed before completing the hood installation.

1. Using a Robertson or a Phillips no. 2 screwdriver, remove the 5 screws retaining the electrical compartment cover. Set cover and screws aside.



2. Carefully remove the glass panel from its packaging. Remove glass panel nuts (factory installed) from both studs and set aside.
3. Insert glass panel studs in the appropriate hood holes.
4. While holding the glass panel, pre-tighten the previously removed nuts by hand. Make sure the glass panel is centered. Then, using a 3/8" socket, tighten the nuts completely.
5. Reinstall the electrical compartment cover.



## 6. PREPARE THE OPENING

### CAUTION

**Never use a hammer and screwdriver to remove the vertical or horizontal discharge knock-out; this would damage the hood internal parts.**

#### VERTICAL DISCHARGE

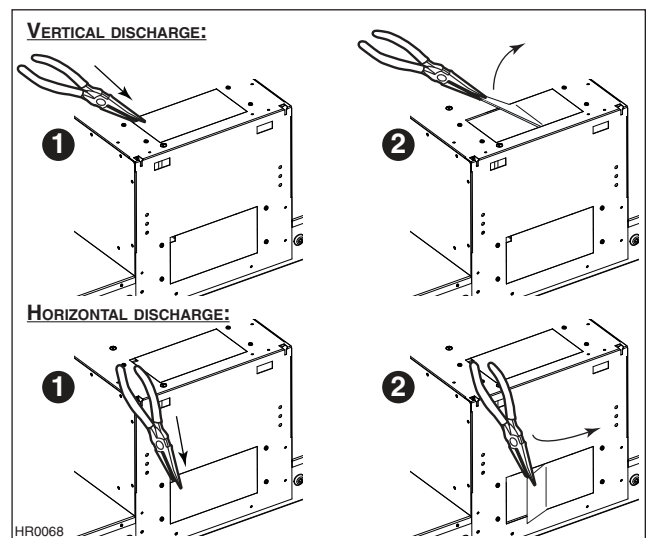
Using long nose pliers, remove the knock-out located on the top of the hood.

See illustrations at right.

#### HORIZONTAL DISCHARGE

Using long nose pliers, remove the knock-out located at the back of the hood.

See illustrations at right.

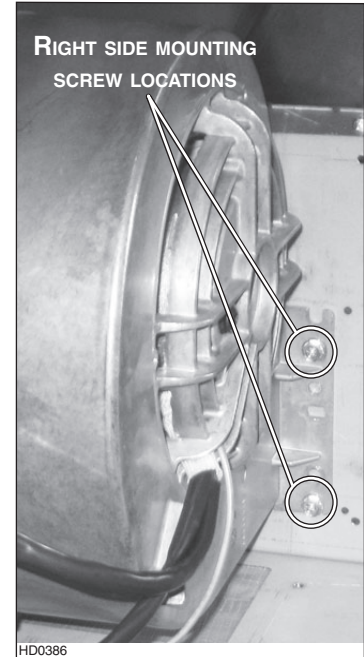
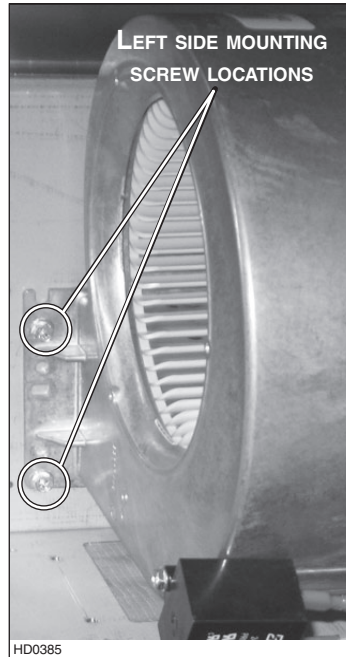
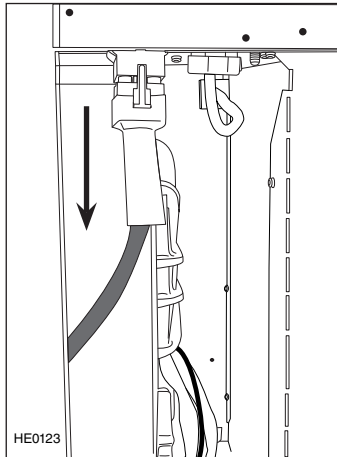


## 7. BLOWER REMOVAL (HORIZONTAL DISCHARGE ONLY)

These range hoods are factory shipped with the blower mounted for a vertical discharge configuration. For a horizontal discharge configuration, disassemble the blower from the inner top of the hood (see procedure below). It will be assembled to the inner back of the hood once the hood is mounted on the wall.

- 2) Using a 5/16" socket, or a Robertson or a Phillips no. 2 screwdriver, remove the 4 blower mounting screws (2 on each side) from the inner top of the hood. Set the blower and screws aside.

- 1) Unplug the blower.

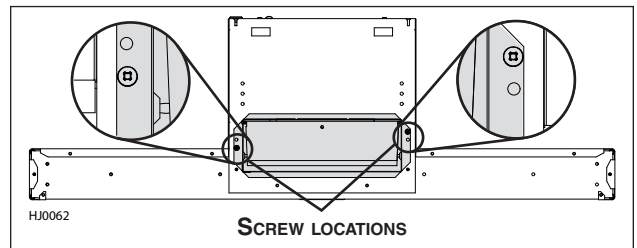


## 8. INSTALL THE ADAPTER/DAMPER

### HORIZONTAL DISCHARGE

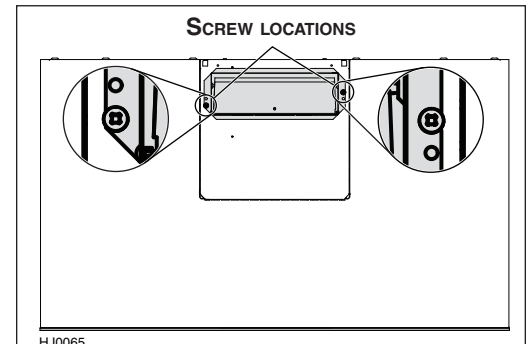
Mount the 3 1/4" x 10" adapter/damper to the back of the hood using 2 no. 8 x 3/8" screws (included). Seal the adapter/damper to the hood using metal foil duct tape.

NOTE: The wall ducting must be properly prepared to receive the adapter. Before performing the installation, make sure the adapter fits easily in the duct.



### VERTICAL DISCHARGE

Mount the 3 1/4" x 10" adapter/damper to the top of the hood using 2 no. 8 x 3/8" screws (included). Seal the adapter/damper to the hood using metal foil duct tape.



## 9. WIRING INSTALLATION

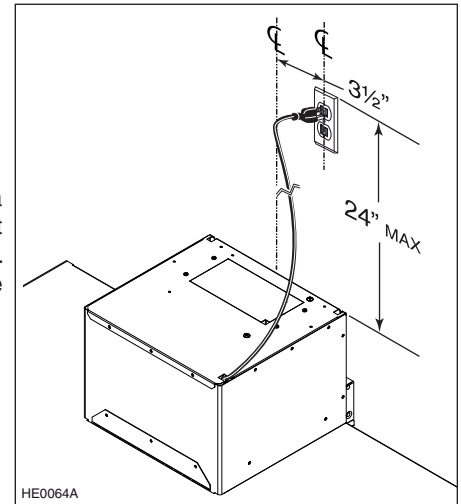
### **⚠ WARNING**

Improper grounding can result in a risk of electric shock. Consult a qualified electrician if the grounding instructions are not completely understood, or if there is any doubt as to whether the appliance is properly grounded. Do not use an extension cord. If the power supply cord is too short, have a qualified electrician install an outlet near the appliance, in accordance with all applicable codes and standards. Turn off electrical power at service entrance before wiring.

### GROUNDING INSTRUCTIONS

This appliance must be grounded. In the event of an electrical short circuit, grounding reduces the risk of electric shock by providing an escape wire for the electric current. This appliance is equipped with a cord having a grounding wire with a grounding plug. The plug must be plugged into an outlet that is properly installed and grounded.

Position the outlet within the space covered by the decorative flue. Place the outlet at a maximum distance of 24" (from where the cord exits from the hood). The center of the outlet must be positioned at 3½" from the center of the future hood location (as illustrated beside). Make sure this does not interfere with a mounting bracket fastening area or with the decorative flue (where the flue touches the wall).

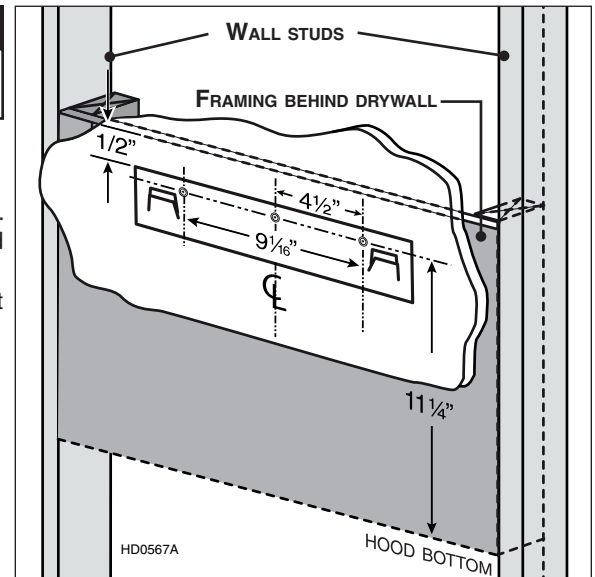


## 10. INSTALL HOOD MOUNTING BRACKET

### **⚠ WARNING**

When cutting or drilling into wall, do not damage electrical wiring and other hidden utilities.

Construct wood wall framing that is even with the surface of the wall studs. Make sure to assemble wood wall framing to wall studs for a solid installation. Make sure the height of the framing will allow the mounting bracket to be secured to the framing within the dimensions shown (see illustration at right). After wall surface is finished, carefully center and level the hood mounting bracket over installation location. Secure it to wall framing using 3 no. 8 x 1½" screws. Using a level, draw a vertical line up to the ceiling starting from the mounting bracket center.





## 11. INSTALL UPPER FLUE MOUNTING BRACKET

Center the upper flue mounting bracket with the center line previously drawn in step 10 and place it flush with the ceiling.

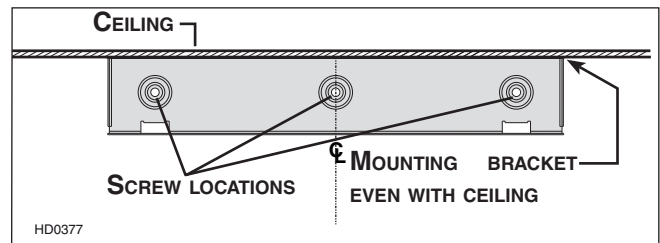
Use the upper flue mounting bracket as a template to mark the position of its screws.

Drill the 3 screw holes using a 3/16" drill bit.

Insert the included drywall anchors into the drilled holes (1 per hole).

Secure the upper flue mounting bracket to the wall using 3 no. 8 x 3/4" screws.

Ensure that the bracket is tight against the wall.



## 12. INSTALL THE HOOD

### ⚠ WARNING

**BE CAREFUL** when installing the decorative flue and hood, they may have sharp edges.

### CAUTION

**DO NOT REMOVE** the protective plastic film covering the decorative flue (upper & lower) yet.

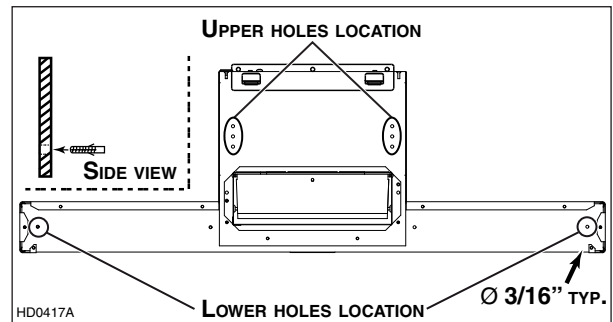
1. Align the hood and center it above the hood mounting bracket. Gently lower the hood until it securely engages the bracket, and slightly pull it downward to make sure it is fully engaged.

2. Level the hood.

3. Mark the position of both holes located inside lower back of hood (as shown at right). Also mark the position of 2 of the 6 available upper holes (one on each side). Remove the hood. Drill through both lower holes using a 3/16" drill bit. Insert the included drywall anchors into both lower drilled holes. Align the hood and center it above the hood mounting bracket. Gently lower the hood until it securely engages the bracket, and slightly pull it downward to make sure it is fully engaged.

**NOTE:** For horizontal discharge only, make sure the adapter/damper enters the duct opening and seal joint from inside the hood using 2" metal foil duct tape.

4. Secure the hood to the wall using 2 no. 8 x 3/4" screws for lower holes, and 2 no. 8 x 1 1/2" for upper holes.



**NOTE:** ILLUSTRATION ABOVE REPRESENTS HORIZONTAL EXHAUST CONFIGURATION, BUT IT ALSO APPLIES TO VERTICAL EXHAUST CONFIGURATION.

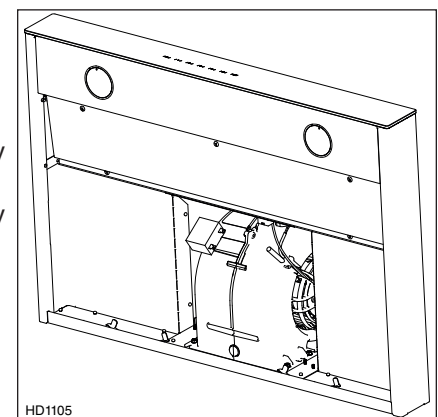
## 13. REINSTALL THE BLOWER (HORIZONTAL DISCHARGE ONLY)

1. Position the blower on the inner back of the hood, as shown on the right.

2. Using a 5/16" socket, or a Robertson or a Phillips no. 2 screwdriver and the 4 screws previously removed, secure the blower to the hood.

**NOTE:** In order to ease installation, before mounting the blower, prepare the screw holes by screwing all 4 screws without the blower, then remove and mount the blower.

3. Plug the blower connector back in and plug hood power cord into the outlet.



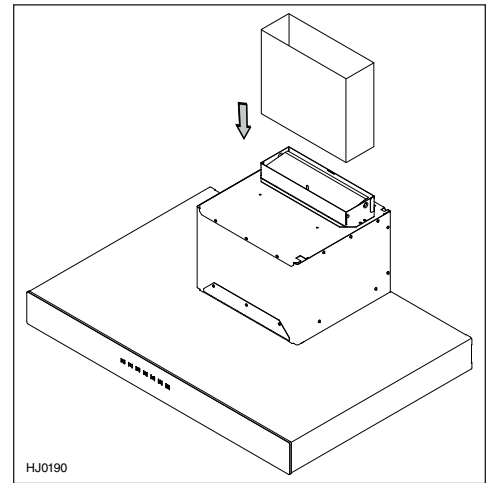
### CAUTION

**Make sure that the screws are well tightened before continuing the installation.**

## 14. DUCT CONNECTION (VERTICAL DISCHARGE ONLY)

1. Plug hood power cord into the outlet.
2. Slide the duct over the adapter/damper on the hood.
3. Use metal foil duct tape to seal the joint.

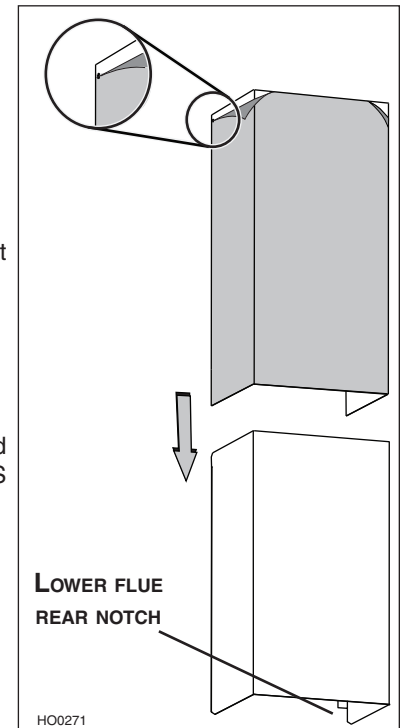
**NOTE:** If a transition to 7" or 8" round duct is used (not included), it is recommended to place it at least 18" away from the adapter/damper.



## 15. PREPARE DECORATIVE FLUE

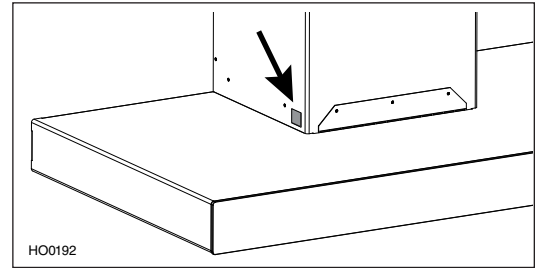
- Remove protective plastic film covering the lower flue only.
- Peel off both corners at the top of the upper flue (note that upper part has one hole on left and right sides; see illustration on the right).
- Position the lower flue rear notches down.
- Gently slide upper flue inside lower flue.

Both lower and upper flues are included with the hood, but for a 10-foot ceiling, discard the provided upper flue and use the optional flue extension model AEWCB3SB (stainless steel) or AEWCB3BLS (black stainless steel) (sold separately).

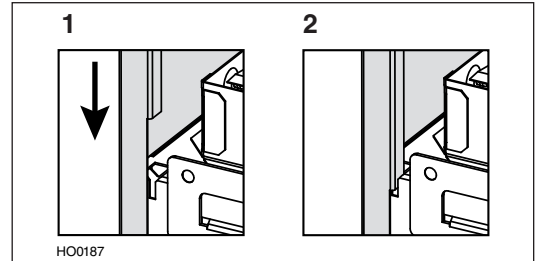


## 16. INSTALL THE DECORATIVE FLUE

1. To prevent the flue from moving, affix the included foam squares on both sides near the front edge of the blower box (as illustrated at right).



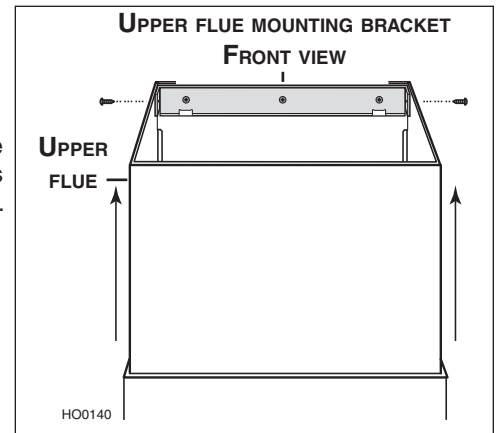
2. Carefully slide in place decorative lower flue (notches end first) on top of the hood (1) until flue notches completely fit in hood slots (2).



Slide up the upper flue until it is aligned with its mounting bracket. The bracket must be inside the flue. Secure the upper flue to its bracket using 2 no. 8 x 3/8" screws for stainless steel model or 2 no. 8 x 1/2" quadrex black screws for black stainless steel model (included). See illustration beside.

NOTE: Duct not shown in illustration to ease understanding.

Remove protective plastic film covering the upper flue.

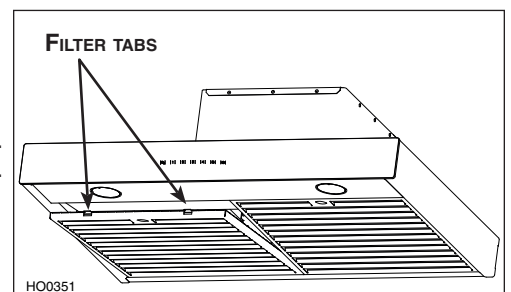


## 17. REINSTALL HYBRID FILTERS

### CAUTION

Remove protective plastic film covering filters before reinstalling them.

Rest rear filters edge on filter springs in the range hood. Tilt up the filters into position. Make sure filter tabs are securely engaged in range hood front edge slots after installation.



## 18. LED LIGHTING

### WARNING

**Do not touch lamps during or soon after operation. Burns may occur. Cannot be replaced by any other type of light bulb or LED module.**

The lighting of WCB3I Series range hood is produced by two LED modules (included).

## 19. CARE

### WARNING

**Before servicing or cleaning the unit, switch power off at service panel and lock service panel to prevent power from being switched on accidentally. When the service disconnecting means cannot be locked, securely fasten a prominent warning device, such as a tag, to the service panel.**

#### HYBRID FILTERS

Hybrid filters should be cleaned monthly. Remove hybrid filters by pushing them towards the back of the hood and flipping them downward. Use a warm detergent solution to clean the filters. Let them dry and reinstall them. Hybrid filters are dishwasher safe. Clean all-metal filters in the dishwasher using a non-phosphate detergent. Discoloration of the filter may occur if using phosphate detergent or as a result of local water conditions — but this will not affect filter performance. This discoloration is not covered by the warranty.

#### STAINLESS STEEL

<b>Do:</b>	<b>Don't:</b>
<ul style="list-style-type: none"><li>Regularly wash with clean cloth or rag soaked with warm water and mild soap or liquid dish detergent.</li><li>Always clean in the direction of original polish lines.</li><li>Always rinse well with clear water (2 or 3 times) after cleaning. Wipe dry completely.</li><li>You may also use a specialized household stainless steel cleaner</li></ul>	<ul style="list-style-type: none"><li>Use any steel or stainless steel wool or any other scrapers to remove stubborn dirt.</li><li>Use any harsh or abrasive cleansers.</li><li>Allow dirt to accumulate.</li><li>Let plaster dust or any other construction residues reach the hood. During construction/renovation, cover the hood to make sure no dust sticks to stainless steel surfaces.</li></ul>

#### GLASS PANEL

Hot water with mild soap or glass cleaner is all that is usually needed. When using mild soap, rinse with clear water. Wipe dry with a clean, soft cloth to avoid water marks.

#### **Avoid when choosing a detergent:**

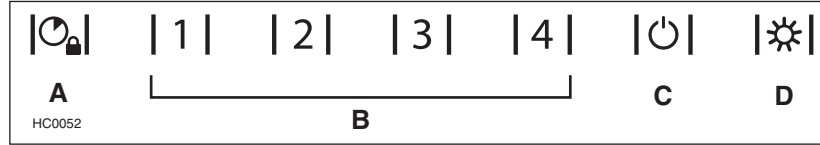
- Any cleaners that contain **bleach**. They will attack stainless steel.
- Any products containing: **chloride, fluoride, iodide, bromide**. They will deteriorate surfaces rapidly.
- Any combustible products used for cleaning such as **acetone, alcohol, ether, benzol**, etc. They are highly explosive and should never be used close to a range.

## 20. OPERATION

Always turn your hood on before you begin cooking to establish an airflow in the kitchen. Let the blower run for a few minutes to clear the air after you turn off the range.

### CAUTION

**After a power failure or during the range hood power up, a 5-second booting sequence is executed. Wait for the control backlighting to turn off before use.**



#### **A. DELAY BUTTON/CONTROL LOCK (DOUBLE FUNCTION BUTTON):**

- i. When a blower speed is selected, press this button to activate the delay function. The delay button will light to its high intensity, then to its mid intensity to indicate this function is activated; the selected blower speed button will alternate every 2 seconds between its high intensity and its mid intensity. The blower will continue to operate for 5 minutes and will stop automatically. Selecting another speed while the delay function is activated will not deactivate the function or reset the timer. To cancel the delay function, press the delay button once again, or press the selected speed button which will also turn the blower off.
- ii. When the blower is off, it is possible to lock the control interface in order to clean the glass panel.  
To lock the control interface: Press and hold this button for 2 seconds. The button will light to its high intensity and flash three times, it will then stay on its mid intensity to indicate that the control interface is locked.  
To unlock the control interface: Press and hold this button for 2 seconds. The button will light to its high intensity and flash 3 times, it will then fade out to its low intensity to indicate that the control interface is unlocked.

#### **B. SPEED SELECTION BUTTONS:**

Press the button corresponding to the desired blower speed (from 1 for low speed to 4 for high speed). The chosen speed button will light to its high intensity then fade to its mid intensity. To turn off the blower, press once more on the corresponding blower speed button; the button light will fade to its low intensity.

NOTE: When blower is off, pressing on blower speed 1 button will cause the blower to start on second speed for a very short lapse of time, and then resume to speed 1.

NOTE: To decrease the maximum airflow from 600 CFM to 300 CFM, follow the instructions of the 300 CFM CRT kit (included with the unit, envelope no. 23894, or order SV23894 part).

#### **C. MASTER ON/OFF:**

When the blower and lights are off, press this button to turn the hood on to the last memorized speed level and light intensity. If there are no memorized speed level and light intensity, speed will be set at level 1 and light intensity at 3. To turn off the blower and the light simultaneously, press this button once.

**HEAT SENTRY™:** The hood is equipped with a HEAT SENTRY thermostat. If blower is ON at a lower speed setting and excessive heat is detected above the cooking surface, it turns the blower up to third speed. When the temperature level drops to normal, the blower will return to its original setting.

NOTE: When Heat Sentry is activated, the "DELAY OFF" function is inactivated.

### ⚠ WARNING

**The Heat Sentry can change the blower speed when excessive heat is detected above the cooking surface. If this situation occurs and you must stop the blower, press on the third speed button or on the master ON/OFF button.**

#### **D. LIGHT BUTTON/BACKLIGHTING COLOR (DOUBLE FUNCTION BUTTON):**

- i. This button allows three different lighting levels according to your needs. Press once for full intensity, twice for intensity level 2, and once more for nightlight. To turn off the lights, press once more.  
If desired, when the lights are on, press and maintain the light button for 1 second; lights will be turned off.

NOTE: When only the lights are ON to any intensity and no interaction with the hood is detected for a 10-second period, the 7 buttons backlighting will fade to its low intensity, acting as a night light feature.

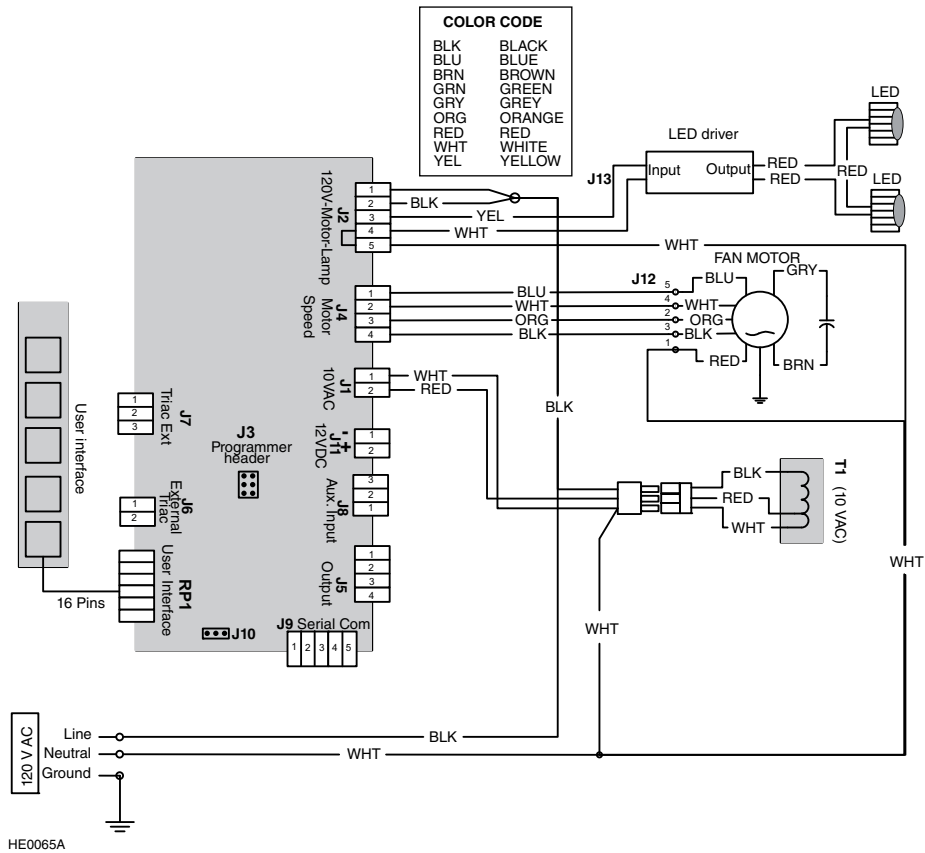
- ii. When lights are off, pressing and holding this button for 1 second will switch the backlighting color from white to blue or from blue to white (default backlighting color is white) and memorize it. The button will flash three times to indicate that the color change has been made.

NOTE: Due to the particular sensitivity of the control interface, keep the glass panel clean as dirt and condensation may cause erratic operation of the hood blower and/or lighting. If this situation occurs, wipe the glass panel and wait 90 seconds. Then, adjust the blower and/or lighting at your convenience.

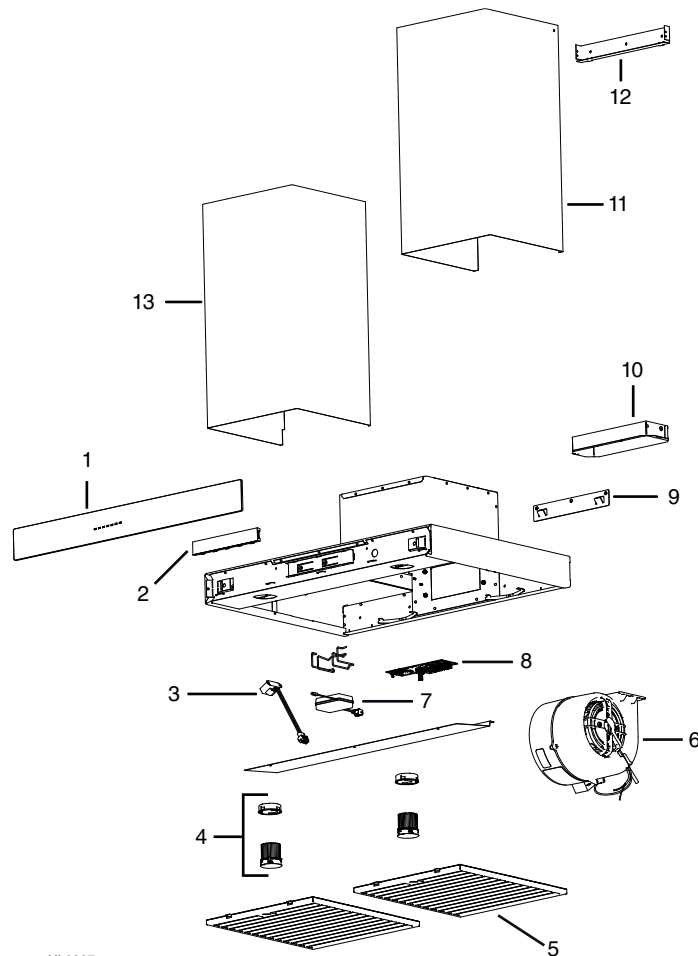
## 21. WIRING DIAGRAM

### ⚠ WARNING

Risk of electric shock. Electrical wiring must be done by qualified personnel in accordance with all applicable codes and standards. Before connecting wires, switch power off at service panel and lock service disconnecting means to prevent power from being switched on accidentally.



## 22. SERVICE PARTS



HL0227

KEY No.	PART No.	DESCRIPTION	QTY. (HOOD WIDTH)	
			30"	36"
1	SV09955XX*	GLASS PANEL 30"	1	
	SV09956XX*	GLASS PANEL 36"		1
2	SV22427	ELECTRONIC CONTROL	1	1
3	SV09022	TRANSFORMER	1	1
4	62612	LED MODULE (1)	2	2
5	SV62053	HYBRID FILTER 15.875" x 14" x 0.5" (1)	2	2
6	SV08582	INTERNAL BLOWER	1	1
7	62248	LED DRIVER AND CONNECTION HARNESS	1	1
8	SV21189	POWER UNIT	1	1
9	SV09014	HOOD MOUNTING BRACKET	1	1
10	SV13296	ADAPTER/DAMPER	1	1
11	SV19134	UPPER FLUE, STAINLESS	1	1
	SV66418	UPPER FLUE, BLACK STAINLESS	1	1
12	SV19135	UPPER FLUE MOUNTING BRACKET	1	1
13	SV19133	LOWER FLUE, STAINLESS	1	1
	SV66419	LOWER FLUE, BLACK STAINLESS	1	1
**	SV23894	CRT KIT 300 CFM (OPTIONAL)	1	1
**	SV23865	INSTALLATION MANUAL	1	1
**	SV09027	PARTS BAG	1	1
**	SV05869	BEST LOGO	1	1

\* PART NUMBER ACCORDING TO GLASS PANEL COLOR AND SIZE PLEASE CONTACT CUSTOMER SERVICE OR VISIT OUR WEB SITE.

\*\* ITEM NOT SHOWN.

### REPLACEMENT PARTS AND REPAIRS

In order to ensure your unit remains in good working condition, you must use Broan-NuTone genuine replacement parts only. Broan-NuTone genuine replacement parts are specially designed for each unit and are manufactured to comply with all the applicable certification standards and maintain a high standard of safety. Any third party replacement part used may cause serious damage and drastically reduce the performance level of your unit, which will result in premature failing. Broan-NuTone recommends to contact a certified service depot for all replacement parts and repairs.

## 23. WARRANTY

---

### FIVE-YEAR LIMITED WARRANTY FOR BEST® PRODUCTS

**Warranty Period and Exclusions:** Broan-NuTone, LLC (the “Company”) warrants to the consumer purchaser of its product (“you”) that the product (the “Product”) will be free from material defects in the materials or its workmanship for a period of five (5) years from the date of original purchase (or such longer period as may be required by applicable law) or a period of two (2) years from the date of service for any labor provided on the Product.

The limited warranty period for any replacement parts provided by the Company and for any Products repaired or replaced under this limited warranty shall be the remainder of the original warranty period (or such longer period as may be required by applicable law).

**THIS WARRANTY DOES NOT EXTEND TO FLUORESCENT LAMP STARTERS, TUBES AND BULBS, FUSES, FILTERS, DUCTS, ROOF CAPS, WALL CAPS AND OTHER ACCESSORIES FOR DUCTING.** This warranty does not cover (a) normal maintenance and service, (b) normal wear and tear, (c) any Products or parts which have been subject to misuse, abuse, abnormal usage, negligence, accident, improper or insufficient maintenance, storage or repair (other than repair by the Company), (d) damage caused by faulty installation, or installation or use contrary to recommendations or instructions, (f) damage caused by exposure to salt air, (g) damage in transit, (h) natural wear of finish, (i) Products in commercial or nonresidential use, (j) damage caused by fire, flood or other act of God, or (k) Products with altered, defaced or removed serial numbers. This warranty covers only Products sold to consumers in North America. This warranty supersedes all prior warranties and, subject to applicable law, is not transferable from the original consumer purchaser.

**No Other Warranties:** This Limited Warranty contains the Company’s sole obligation and your sole remedy for defective Products. The foregoing warranties are exclusive and in lieu of any other warranties and conditions, express or implied. **TO THE MAXIMUM EXTENT PERMITTED BY APPLICABLE LAW, THE COMPANY DISCLAIMS AND EXCLUDES ALL OTHER EXPRESS WARRANTIES AND CONDITIONS, AND DISCLAIMS AND EXCLUDES ALL WARRANTIES AND CONDITIONS IMPLIED BY LAW, INCLUDING WITHOUT LIMITATION THOSE OF MERCHANTABILITY AND FITNESS FOR A PARTICULAR PURPOSE.**

To the extent that applicable law prohibits the exclusion of implied warranties or conditions, the duration of any applicable implied warranty or condition is limited to the period specified for the express warranty above. Some jurisdictions (which may include the Province of Quebec or specific US states) do not allow limitations on how long an implied warranty lasts, so the above limitation may not apply to you. Any oral or written description of the Product is for the sole purpose of identifying it and shall not be construed as an express warranty.

Whenever possible, each provision of this Limited Warranty shall be interpreted in such manner as to be effective and valid under applicable law, but if any provision is held to be prohibited or invalid, such provision shall be ineffective only to the extent of such prohibition or invalidity, without invalidating the remainder of such provision or the other remaining provisions of the Limited Warranty.

**Remedy:** During the applicable limited warranty period, the Company will, at its option, provide replacement parts for, or repair or replace, without charge, any Product or part thereof, to the extent the Company finds it to be covered by and in breach of this limited warranty under normal use and service. The Company will ship the repaired or replaced Product or replacement parts to you at no charge. You are responsible for all costs for removal, reinstallation and shipping, insurance or other freight charges incurred in the shipment of the Product or part to the Company. If you must send the Product or part to the Company, as instructed by the Company, you must properly pack the Product or part—the Company is not responsible for damage in transit. The Company reserves the right to utilize reconditioned, refurbished, repaired or remanufactured Products or parts in the warranty repair or replacement process. Such Products and parts will be comparable in function and performance to an original Product or part and warranted for the remainder of the original warranty period (or such longer period as may be required by applicable law).

Company reserves the right, in its sole discretion, to refund the money actually paid by you for the Product. If the Product or component is no longer available, replacement may be made with a similar product of equal or greater value, at Company’s sole discretion. This is your sole and exclusive remedy for breach of this limited warranty.

**Exclusion of Damages: THE COMPANY’S OBLIGATION TO PROVIDE REPLACEMENT PARTS, OR REPAIR OR REPLACE, AT THE COMPANY’S OPTION, SHALL BE YOUR SOLE AND EXCLUSIVE REMEDY UNDER THIS LIMITED WARRANTY AND THE COMPANY’S SOLE AND EXCLUSIVE OBLIGATION. THE COMPANY SHALL NOT BE LIABLE FOR INCIDENTAL, INDIRECT, CONSEQUENTIAL OR SPECIAL DAMAGES ARISING OUT OF OR IN CONNECTION WITH THE PRODUCT, ITS USE OR PERFORMANCE.**

Some jurisdictions do not allow the exclusion or limitation of incidental or consequential damages, so the above limitation or exclusion may not apply to you. This warranty gives you specific legal rights, and you may also have other rights, which vary from jurisdiction to jurisdiction. The disclaimers, exclusions, and limitations of liability under this warranty will not apply to the extent prohibited by applicable law.

This warranty covers only replacement or repair of defective Products or parts thereof at the Company’s main facility and does not include the cost of field service travel and living expenses.

Any assistance the Company provides to or procures for you outside the terms, limitations or exclusions of this limited warranty will not constitute a waiver of such terms, limitations or exclusions, nor will such assistance extend or revive the warranty. The Company will not reimburse you for any expenses incurred by you in repairing or replacing any defective Product, except for those incurred with the Company’s prior written permission.

**How to Obtain Warranty Service:** To qualify for warranty service, you must (a) notify the Company at the address or telephone number stated below within seven (7) days of discovering the covered defect, (b) give the model number and part identification and (c) describe the nature of any defect in the Product or part. At the time of requesting warranty service, you must present evidence of the original purchase date. If you cannot provide a copy of the original written limited warranty, then the terms of the Company’s most current written limited warranty for your particular product will control.

### PRODUCT SPECIFICATIONS

All illustrations and specifications in this catalog are based on the latest product information available at time of production. Broan-NuTone, LLC and BEST® reserves the right to make changes at any time, without notice, in prices, colors, materials, equipment, specifications and models, place of manufacture and to discontinue models or equipment.

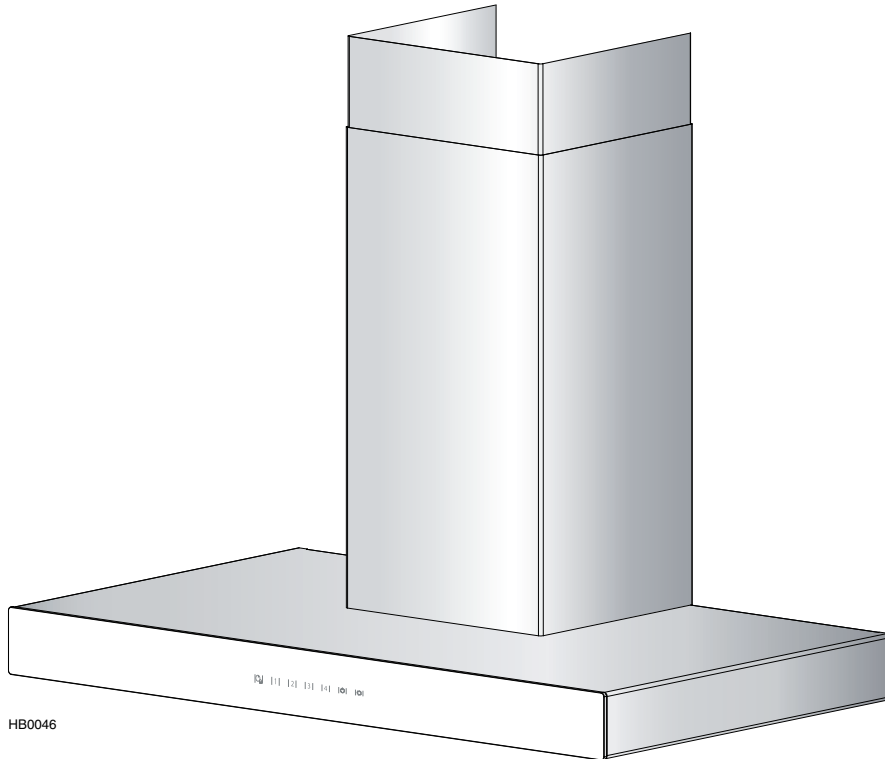
Best

Broan-NuTone, LLC- 926 W. State Street, Hartford, WI 53207 1-800-637-1453

Best®, 550 Lemire Blvd., Drummondville, QC, Canada (1-866-737-7770) [www.bestrangehoods.com](http://www.bestrangehoods.com)



# best®



HB0046

## SÉRIE WCB3I

⚠ CONÇUE POUR USAGE RÉSIDENTIEL SEULEMENT ⚠

**LIRE ET CONSERVER CES DIRECTIVES**

INSTALLATEUR: LAISSER CE GUIDE AU PROPRIÉTAIRE.  
PROPRIÉTAIRE: DIRECTIVES D'UTILISATION ET D'ENTRETIEN  
AUX PAGES 12 ET 13.

BEST; Hartford, Wisconsin [www.BestRangeHoods.com](http://www.BestRangeHoods.com) 800 558-1711  
BEST; Drummondville, QC, Canada [www.BestRangeHoods.ca](http://www.BestRangeHoods.ca) 866 737-7770

## **⚠️ AVERTISSEMENT**

---

### **AFIN DE RÉDUIRE LES RISQUES D'INCENDIE, D'ÉLECTROCUTION OU DE BLESSURES CORPORELLES, SUIVEZ LES DIRECTIVES CI-DESSOUS :**

1. N'utilisez cet appareil que de la façon prévue par le fabricant. Si vous avez des questions, contactez le fabricant à l'adresse ou au numéro de téléphone indiqués dans la garantie.
2. Avant de réparer ou de nettoyer l'appareil, couper l'alimentation électrique en verrouillant le panneau de distribution afin d'éviter sa remise en marche accidentelle. Si le panneau de distribution ne peut être verrouillé, y fixer un avertissement en évidence, telle qu'une étiquette de couleur vive.
3. Les travaux d'installation et de raccordement électrique doivent être effectués par une personne qualifiée, conformément aux codes et aux standards de construction, incluant ceux concernant la protection contre les incendies.
4. Une quantité d'air adéquate est requise afin d'assurer une bonne combustion et l'évacuation des gaz par la cheminée dans le cas des équipements alimentés au gaz afin de prévenir les retours de cheminée. Suivez les instructions et conformez-vous aux standards de sécurité des fabricants d'équipement de chauffage, tel qu'ils sont publiés par la National Fire Protection Association (NFPA) et l'American Society for Heating, Refrigeration and Air Conditioning Engineers (ASHRAE) ainsi que les responsables des codes locaux.
5. Veillez à ne pas endommager le câblage électrique ou d'autres équipements non apparents lors de la découpe ou du perçage du mur ou du plafond.
6. Les ventilateurs avec conduits doivent toujours évacuer l'air à l'extérieur.
7. Ne pas utiliser cet appareil avec une commande de vitesse à semi-conducteur additionnelle.
8. Afin de réduire les risques d'incendie, n'utilisez que des conduits de métal.
9. Cet appareil doit être mis à la terre.
10. Lorsqu'une réglementation est en vigueur et qu'elle comporte des exigences d'installation et/ou de certification plus restrictives, lesdites exigences prévalent sur celles de ce document et l'installateur entend s'y conformer à ses frais.

### **AFIN DE RÉDUIRE LES RISQUES DE FEU DE CUISINIÈRE :**

- a) Ne jamais laisser les appareils de cuisson sans surveillance lorsqu'ils sont réglés à feu vif. Les débordements engendrent de la fumée et des déversements graisseux pouvant s'enflammer. Chauffez l'huile lentement, à feu doux ou moyen.
- b) Mettez toujours la hotte en marche lorsque vous cuisinez à feu vif ou que vous cuisinez des mets flambés (par ex. : crêpes Suzette, cerises jubiléées, steaks au poivre flambés).
- c) Nettoyez régulièrement le ventilateur. Ne laissez pas la graisse s'accumuler sur le ventilateur, les filtres ou les conduits d'évacuation.
- d) Utilisez le bon format de casserole. Servez-vous toujours de casseroles et d'ustensiles appropriés à la dimension de la surface chauffante.

## **⚠️ AVERTISSEMENT**

---

### **AFIN D'ÉVITER TOUT RISQUE DE BLESSURES LORS D'UN FEU DE CUISINIÈRE, SUIVEZ CES DIRECTIVES\* :**

1. Éteignez les flammes avec un couvercle hermétique, une tôle à biscuits ou un plateau métallique et ensuite, éteindre le brûleur. PRENEZ SOIN D'ÉVITER LES BRÛLURES. SI LES FLAMMES NE S'ÉTEignent PAS IMMÉDIATEMENT, ÉVACUEZ LES LIEUX ET APPELEZ LES POMPIERS.
2. NE PRENEZ JAMAIS UNE CASSEROLE EN FLAMMES DANS VOS MAINS. Vous pourriez vous brûler.
3. N'UTILISEZ PAS D'EAU, incluant un linge à vaisselle ou une serviette mouillée, cela pourrait occasionner une violente explosion de vapeur.
4. N'utilisez un extincteur QUE DANS LE CAS OÙ :
  - A. Vous savez qu'il s'agit d'un extincteur de classe ABC et que vous en connaissez le fonctionnement.
  - B. Le feu est petit et limité à l'endroit où il a débuté.
  - C. Les pompiers ont été avisés.
  - D. Vous pouvez combattre le feu en ayant accès à une sortie de secours.

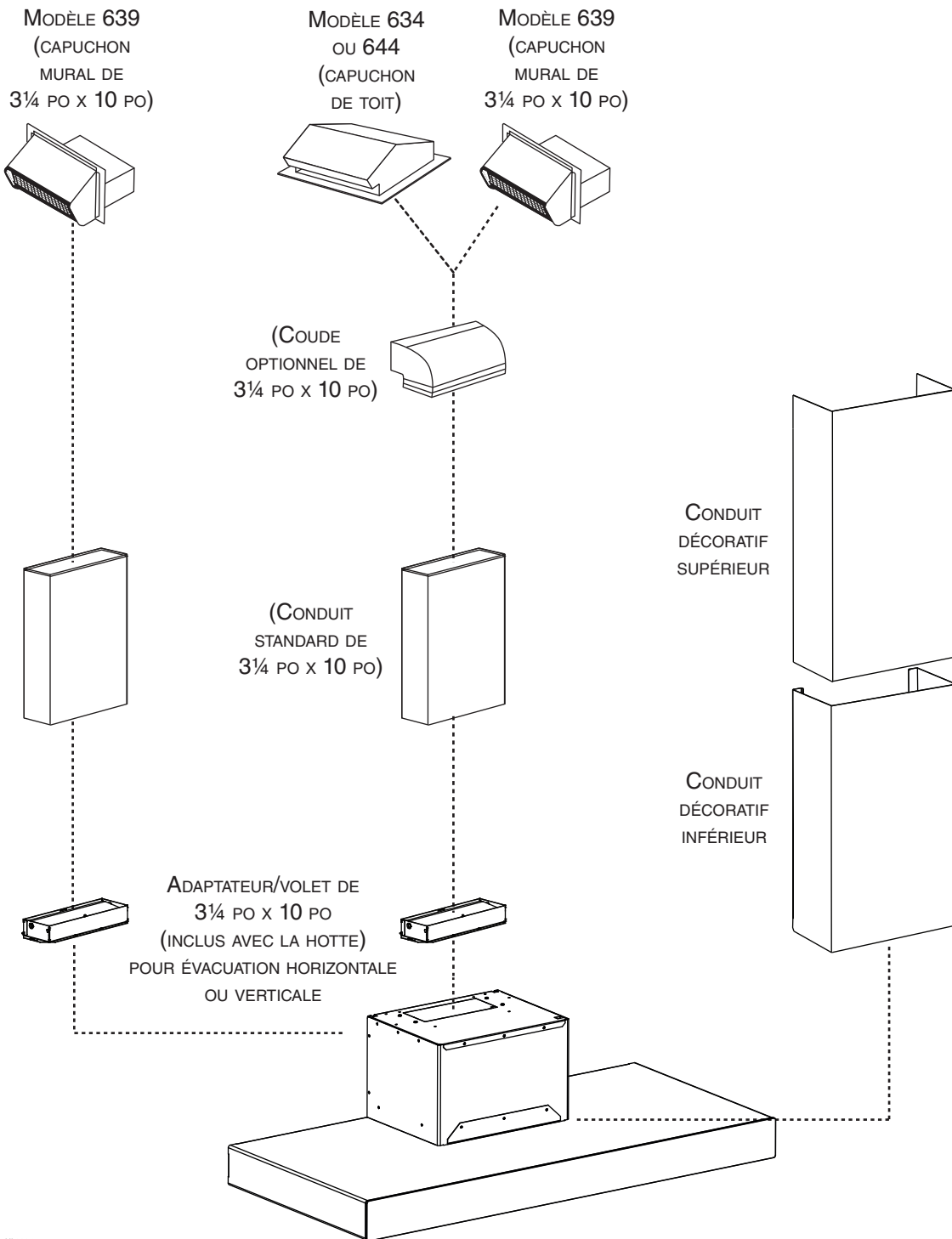
\*Tirées du *Kitchen Fire Safety Tips* publié par la NFPA.

## **ATTENTION**

---

1. Pour une utilisation à l'intérieur seulement.
2. Pour usage domestique seulement. Ne pas utiliser pour évacuer des vapeurs ou des matières dangereuses ou explosives.
3. Afin d'éviter tout dommage au moteur ou de déséquilibrer ou de rendre bruyante la roue du moteur, garder votre appareil à l'abri des poussières de gypse et de construction/ rénovation, etc.
4. Le moteur de votre hotte possède une protection thermique qui arrêtera automatiquement le moteur s'il surchauffe. Le moteur redémarrera automatiquement une fois refroidi. Si le moteur continue à arrêter et à redémarrer, faites-le vérifier.
5. Pour une meilleure évacuation des odeurs de cuisson, le bas de votre hotte devrait être situé à un minimum de 24 po (30 po pour une cuisinière à gaz) et à un maximum de 30 po au-dessus de la table de cuisson.
6. Deux installateurs sont recommandés lors de l'installation vu la grande dimension et le poids de cette hotte.
7. Afin de réduire les risques d'incendie, assurez-vous d'évacuer l'air à l'extérieur. Ne pas évacuer l'air dans des espaces restreints comme l'intérieur des murs ou plafonds ou dans le grenier, faux plafond ou garage.
8. En raison de la grande capacité d'évacuation de cette hotte, il est recommandé d'ouvrir une fenêtre dans ou près de la cuisine afin de remplacer l'air évacué.
9. Afin de réduire les risques d'incendie et d'électrocution, la hotte Best de la série WCB31 ne doit être installée qu'avec son ventilateur intérieur intégré.
10. Veuillez consulter l'autocollant apposé à l'intérieur de la hotte pour plus d'information ou autres exigences.

# SYSTÈME DE HOTTE DE CUISINIÈRE DE SÉRIE WCB3I



HL0226

# TABLE DES MATIÈRES

1. INSTALLATION DES CONDUITS.....	4
2. PRÉPARATION DE L'INSTALLATION.....	5
3. CHOIX DU TYPE D'INSTALLATION.....	5
4. RETRAIT DES FILTRES HYBRIDES.....	5
5. INSTALLATION DE LA FAÇADE DE VERRE (MODÈLES SBN SEULEMENT).....	6
6. PRÉPARATION DE L'OUVERTURE.....	6
7. RETRAIT DU VENTILATEUR (ÉVACUATION HORIZONTALE).....	7
8. INSTALLATION DE L'ADAPTATEUR/DU VOLET.....	7
9. INSTALLATION ÉLECTRIQUE.....	8
10. INSTALLATION DU SUPPORT DE MONTAGE DE LA HOTTE.....	8
11. INSTALLATION DU SUPPORT DE MONTAGE DU CONDUIT DÉCORATIF SUPÉRIEUR.....	9
12. INSTALLATION DE LA HOTTE.....	9
13. RÉINSTALLATION DU VENTILATEUR (ÉVACUATION HORIZONTALE).....	9
14. INSTALLATION DU CONDUIT (ÉVACUATION VERTICALE).....	10
15. PRÉPARATION DU CONDUIT DÉCORATIF.....	10
16. INSTALLATION DU CONDUIT DÉCORATIF.....	11
17. RÉINSTALLATION DES FILTRES HYBRIDES.....	11
18. ÉCLAIRAGE À DEL.....	12
19. ENTRETIEN.....	12
20. FONCTIONNEMENT.....	13
21. SCHÉMA ÉLECTRIQUE.....	14
22. PIÈCES DE REMPLACEMENT.....	15
23. GARANTIE.....	16

## 1. INSTALLATION DES CONDUITS

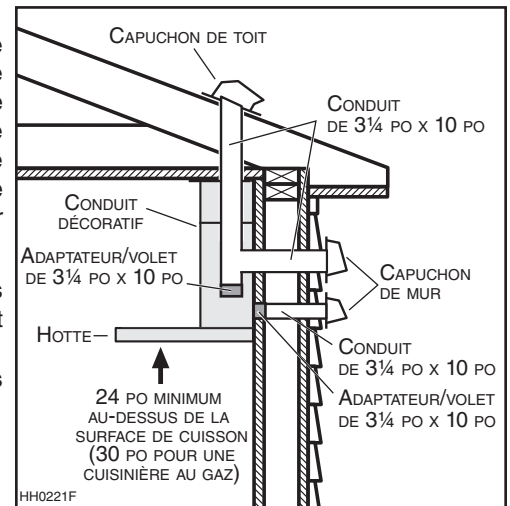
Planifier à quel endroit et de quelle façon les conduits seront installés.

Le conduit reliant cette hotte à l'extérieur du bâtiment a un effet direct sur le débit de l'air, le bruit généré et la consommation d'énergie de son ventilateur. Pour obtenir le meilleur rendement, utiliser un conduit le plus droit et le plus court possible, en évitant de raccorder le ventilateur de la hotte à un conduit de format plus petit que recommandé. De l'isolant autour du conduit peut réduire la perte d'énergie et empêcher la croissance de moisissures. Les hottes installées avec un conduit préexistant pourraient ne pas atteindre leur débit nominal. Veuillez vous référer au tableau ci-dessous pour vous aider à planifier l'installation la plus efficace.

Installer un capuchon de toit ou de mur, puis s'assurer qu'il n'y a aucune fuite dans l'isolation de la maison. Relier le conduit de métal au capuchon, puis acheminer le conduit jusqu'à la hotte. Sceller les joints avec du ruban adhésif de métal de 2 po de largeur.

**Il est recommandé d'installer la hotte à une distance minimale de 24 po au-dessus d'une cuisinière électrique et de 30 po au-dessus d'une cuisinière au gaz.**

HAUTEUR DU PLAFOND	8 PI	9 PI	10 PI*
DISTANCE MINIMALE/MAXIMALE RECOMMANDÉE AU-DESSUS DE LA SURFACE DE CUISSON D'UNE CUISINIÈRE ÉLECTRIQUE	24 PO /30 PO	24 PO /30 PO	24 PO/ 30 PO
DISTANCE MINIMALE/MAXIMALE RECOMMANDÉE AU-DESSUS DE LA SURFACE DE CUISSON D'UNE CUISINIÈRE AU GAZ	30 PO /33 PO	30 PO /36 PO	30 PO /36 PO



Une distance de plus de 36 po demeure à la discrétion de l'installateur et de l'utilisateur.

\*Une rallonge de conduit décoratif est requise pour les plafonds de 10 pi, modèle n° AEWCB3SB (acier inoxydable) ou n° AEWCB3BLS (acier inoxydable noir) (vendue séparément).

### LONGUEURS MAXIMALES DE CONDUIT RECOMMANDÉES POUR OBTENIR UNE EFFICACITÉ D'ÉVACUATION DE 80 %

LONGUEUR MAXIMALE DE CONDUIT DE 3 1/4 PO X 10 PO	CAPUCHON DE MUR OU DE TOIT AVEC CLAPET	COUDE(S)* DE 90° ET/OU DE 45°
60 PI	1	0
50 PI	1	1
40 PI	1	2

\*COUDES STANDARDS DE RAYON INTERNE DE 1 PO

## 2. PRÉPARATION DE L'INSTALLATION

### ⚠ AVERTISSEMENT

Il est recommandé de porter des lunettes et des gants de sécurité lors de l'installation, de l'entretien et de la réparation de cet appareil.

NOTE : Avant de commencer l'installation, vérifier le contenu de la boîte. Si des pièces sont manquantes ou endommagées, contacter le fabricant.

S'assurer que les éléments suivants sont inclus :

- Hotte

- Accessoires
- Ensemble de conduit décoratif (inférieur et supérieur)
  - Support de montage de la hotte (collé à l'intérieur de la hotte)
  - Support de montage du conduit décoratif supérieur (collé à l'intérieur de la hotte)
  - 2 filtres hybrides
  - Adaptateur/volet de 3 1/4 po x 10 po (pour évacuation horizontale ou verticale) collé à l'intérieur du conduit décoratif
  - Sac de pièces (collé à l'intérieur de la hotte) incluant : 5 vis à tête fraisée n° 8 x 1 1/2 po, 8 vis n° 8 x 3/4 po, 2 vis n° 8 x 1/2 po, 2 vis noires quadrex n° 8 x 1/2 po, 6 vis n° 8 x 3/8 po, 6 douilles à expansion, 3 rondelles, 2 carrés de mousse.
- Le cas échéant, jeter les pièces en surplus.

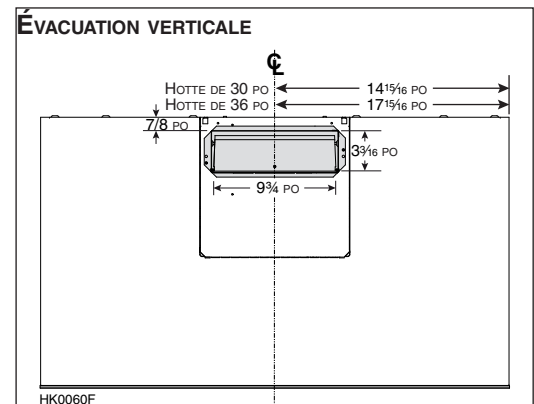
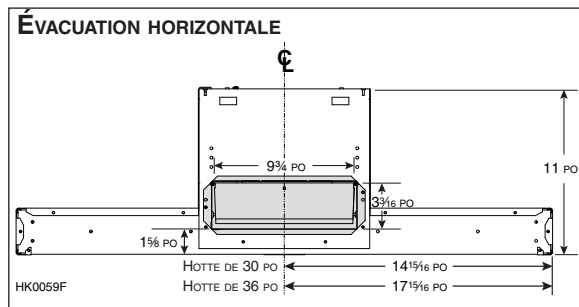
Pièces vendues séparément :

- Conduits, coudes, capuchons de mur ou de toit.
- Rallonge de conduit décoratif pour plafonds de 10 pi modèle AEWCB3SB (acier inoxydable) ou AEWCB3BLS (acier inoxydable noir).
- Façade de verre pour les modèles WCB3I30SBN et WCB3I36SBN (voir la liste de pièces de remplacement à la page 15).

NOTE : Lors de l'installation, protéger le plan de cuisson et le comptoir de cuisine.

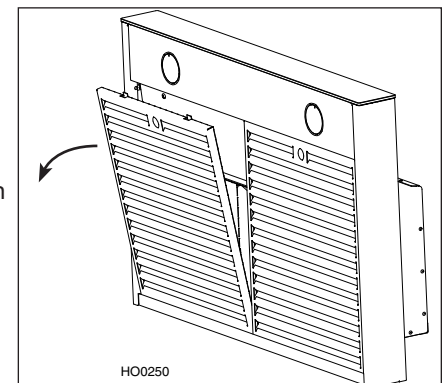
## 3. CHOIX DU TYPE D'INSTALLATION

Se référer aux illustrations ci-dessous pour l'emplacement du conduit selon le type d'évacuation choisi (les pièces en gris doivent être installées plus tard).



## 4. RETRAIT DES FILTRES HYBRIDES

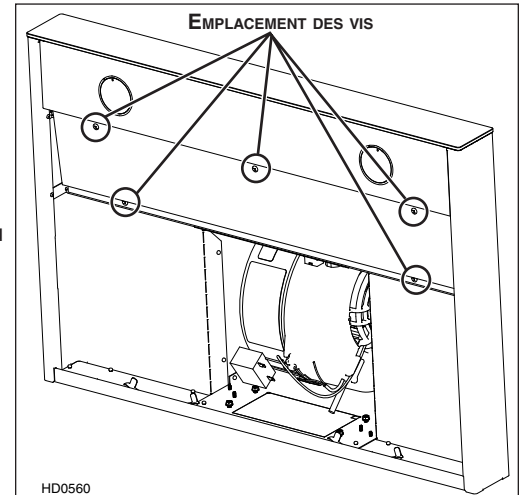
Poser le dos de la hotte à plat sur une table. Placer au préalable un morceau de carton pour éviter d'endommager la table et la hotte. Retirer le ruban adhésif des filtres. Retirer les filtres en les poussant vers le bas et en les inclinant, puis les mettre de côté.



## 5. INSTALLATION DE LA FAÇADE DE VERRE (MODÈLES SBN SEULEMENT)

La façade de verre décorative des modèles de hotte SBN est vendue séparément et doit être installée avant de poursuivre l'installation.

1. À l'aide d'un tournevis Robertson ou Phillips n° 2, retirer les 5 vis du couvercle du compartiment électrique. Mettre le couvercle et les vis de côté.

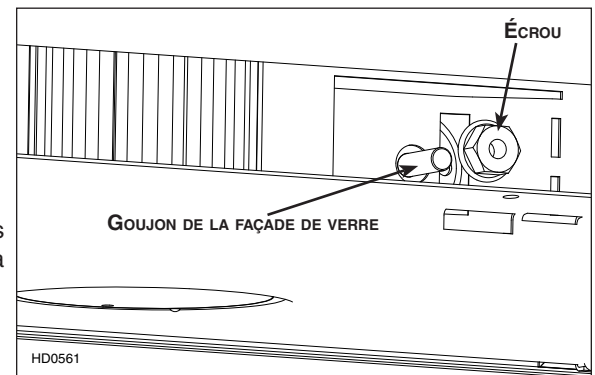


2. Avec précaution, retirer la façade de verre de son emballage. Retirer les deux écrous des goujons de la façade de verre (installés en usine) et les mettre de côté.

3. Insérer les goujons de la façade de verre dans les trous appropriés du devant de la hotte.

4. Tout en maintenant la façade de verre, pré-serrer à la main les écrous précédemment retirés. S'assurer que la façade de verre est centrée. Puis, à l'aide d'une douille de 3/8 po, serrer complètement les écrous.

5. Réinstaller le couvercle du compartiment électrique.



## 6. PRÉPARATION DE L'OUVERTURE

### ATTENTION

**Ne jamais se servir d'un marteau et d'un tournevis afin de retirer les ouvertures préamorcées; cela endommagerait les pièces internes de la hotte.**

#### ÉVACUATION VERTICALE

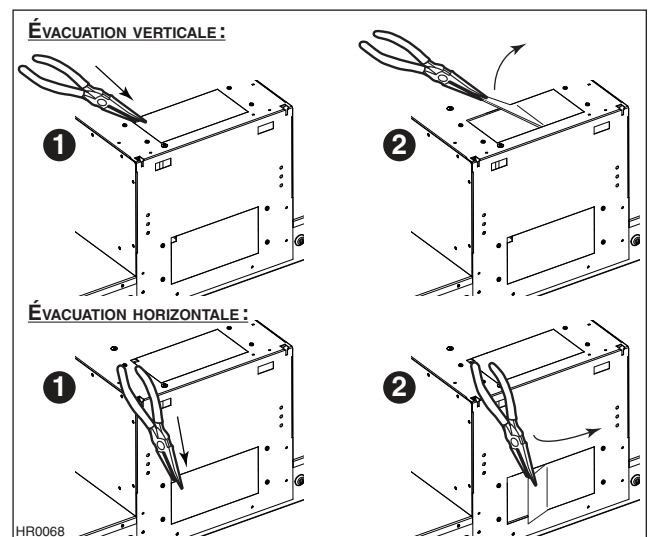
À l'aide d'une pince à long bec, retirer l'ouverture préamorcée située sur le dessus de la hotte.

Se référer aux illustrations ci-contre.

#### ÉVACUATION HORIZONTALE

À l'aide d'une pince à long bec, retirer l'ouverture préamorcée située au dos de la hotte.

Se référer aux illustrations ci-contre.

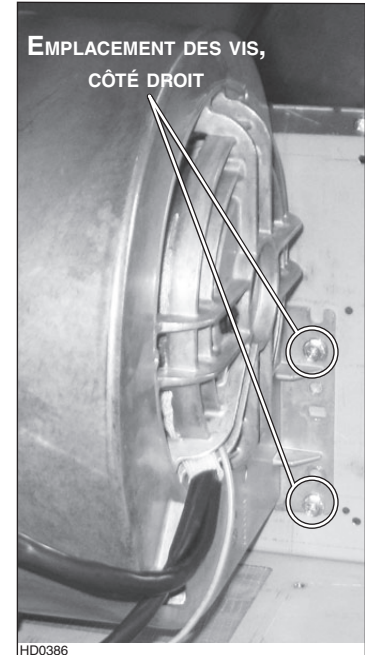
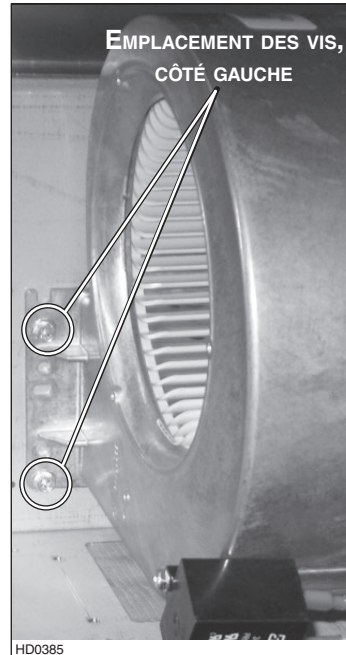
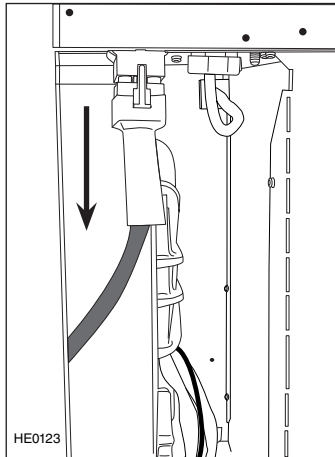


## 7. RETRAIT DU VENTILATEUR (ÉVACUATION HORIZONTALE SEULEMENT)

Les hottes sont expédiées de l'usine avec le ventilateur configuré pour une évacuation verticale. Pour une configuration d'évacuation horizontale, désassembler le ventilateur du dessus intérieur de la hotte en suivant les étapes ci-dessous. Il sera assemblé au dos interne de la hotte une fois celle-ci installée au mur.

2) À l'aide d'une douille 5/16 po ou d'un tournevis Robertson ou Phillips n° 2, retirer les 4 vis retenant le ventilateur (2 de chaque côté) au dessus intérieur de la hotte. Mettre de côté le ventilateur et ses vis.

1) Débrancher le ventilateur.

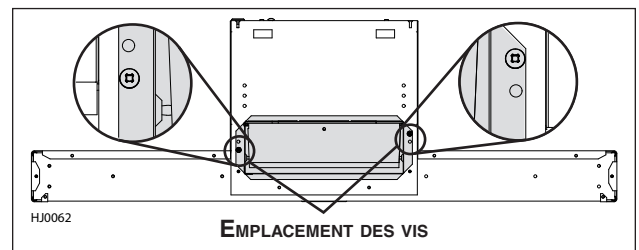


## 8. INSTALLATION DE L'ADAPTATEUR/DU VOILET

### ÉVACUATION HORIZONTALE

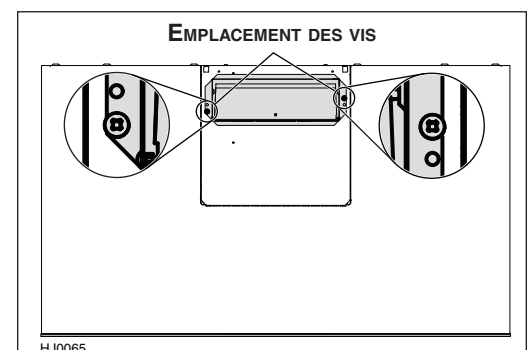
À l'aide de deux vis n° 8 x 3/8 po (incluses), assembler l'adaptateur/voilet de 3/4 po x 10 po au dos de la hotte. Sceller l'adaptateur à la hotte à l'aide de ruban adhésif de métal.

NOTE : Le conduit mural doit être bien préparé pour recevoir adéquatement l'adaptateur. Avant d'effectuer l'installation, s'assurer que l'adaptateur s'insère facilement dans le conduit.



### ÉVACUATION VERTICALE

À l'aide de 2 vis n° 8 x 3/8 po (incluses), assembler l'adaptateur/voilet de 3/4 po x 10 po sur le dessus de la hotte. Sceller l'adaptateur à la hotte à l'aide de ruban adhésif de métal.



## 9. INSTALLATION ÉLECTRIQUE

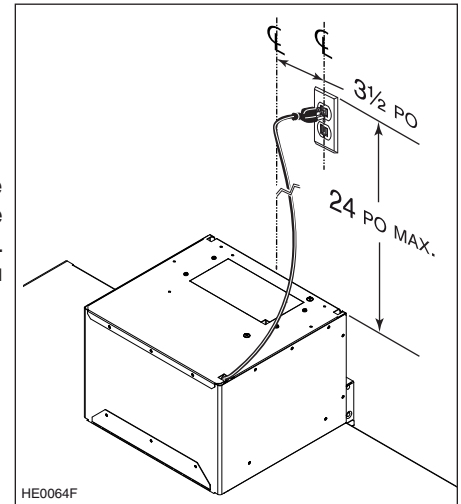
### ⚠ AVERTISSEMENT

Une mise à la terre inadéquate peut entraîner un risque d'électrocution. Consultez un électricien si les instructions de mise à la terre ne sont pas complètement comprises ou si un doute persiste quant à savoir si l'appareil est correctement relié à la terre. Ne pas utiliser de rallonge électrique. Si le cordon d'alimentation est trop court, demandez à un électricien d'installer une prise de courant près de l'appareil selon les normes et règlements en vigueur. Avant d'effectuer le branchement, coupez l'alimentation électrique depuis le tableau de distribution principal.

### INSTRUCTIONS POUR MISE À LA TERRE

Cet appareil doit être relié à une mise à la terre. En cas de court-circuit électrique, la mise à la terre réduit le risque d'électrocution en fournissant un câble d'évacuation du courant. Cet appareil est muni d'un cordon équipé d'un câble de mise à la terre avec fiche de mise à la terre. La fiche doit être branchée dans une prise de courant correctement installée et mise à la terre.

Installer la prise dans l'espace qui sera couvert par le conduit décoratif. La placer à une distance maximale de 24 po de l'endroit où le fil sort de la hotte. Le centre de la prise doit être positionné à 3½ po du centre du futur emplacement de la hotte (tel qu'il est illustré ci-contre). S'assurer qu'elle n'interfère pas avec l'emplacement de fixation d'un support de montage ou avec le conduit décoratif (à l'endroit où il touche le mur).

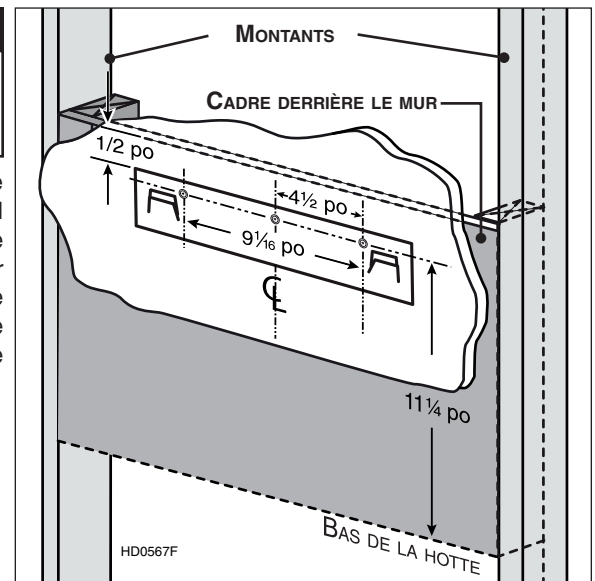


## 10. INSTALLATION DU SUPPORT DE MONTAGE DE LA HOTTE

### ⚠ AVERTISSEMENT

Lorsque vous coupez ou percez un mur, assurez-vous de ne pas endommager les fils électriques ou autres installations qui pourraient y être dissimulés.

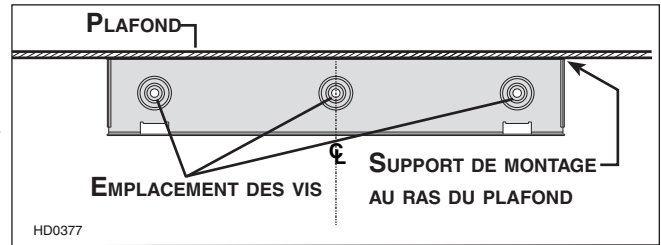
Construire un cadre mural en bois encastré entre les montants et au même niveau que ceux-ci. Pour une installation solide, s'assurer de fixer le cadre mural aux montants. S'assurer que la hauteur du cadre permettra au support de montage d'y être bien fixé en respectant les dimensions indiquées (voir l'illustration ci-contre). Après la finition du mur, centrer le support au-dessus de l'emplacement de l'installation et mettre au niveau. Fixer le support de montage au cadre mural à l'aide de 3 vis n° 8 x 1½ po. À l'aide d'un niveau, tracer une ligne verticale jusqu'au plafond à partir du centre du support de montage de la hotte.





## 11. INSTALLATION DU SUPPORT DE MONTAGE DU CONDUIT DÉCORATIF SUPÉRIEUR

Centrer le support de montage du conduit décoratif supérieur selon la ligne précédemment tracée à l'étape 10 et le positionner au ras du plafond. Utiliser le support de montage comme gabarit pour marquer la position des vis. Percer 3 trous à l'aide d'une mèche de 3/16 po. Insérer les douilles à expansion (incluses) dans les trous percés (une pour chaque trou). Fixer le support de montage du conduit supérieur au mur à l'aide de 3 vis n° 8 x 3/4 po. S'assurer que le support de montage est bien appuyé contre le mur.



## 12. INSTALLATION DE LA HOTTE

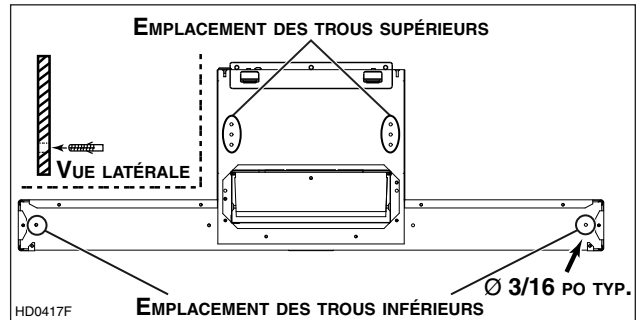
### ⚠ AVERTISSEMENT

**SOYEZ PRUDENT** lors de l'installation du conduit décoratif et de la hotte, il pourrait y avoir des arêtes vives.

### ATTENTION

**NE PAS RETIRER** pour l'instant le film protecteur de plastique recouvrant les conduits décoratifs.

1. Aligner la hotte et la centrer au-dessus de son support de montage. L'abaisser doucement jusqu'à ce qu'elle s'accroche à son support, puis la tirer légèrement vers le bas pour s'assurer qu'elle est bien accrochée.
2. Mettre la hotte de niveau.
3. Marquer la position des 2 trous situés au dos interne de la hotte (tel qu'il est illustré ci-contre). Marquer aussi la position de 2 des 6 trous supérieurs (un de chaque côté). Retirer la hotte. À l'emplacement des deux trous inférieurs, percer deux trous à l'aide d'une mèche de 3/16 po. Insérer les douilles à expansion (incluses) dans les deux trous inférieurs percés. Aligner la hotte et la centrer au-dessus de son support de montage. L'abaisser doucement jusqu'à ce qu'elle s'accroche à son support, puis la tirer légèrement vers le bas pour s'assurer qu'elle est bien accrochée.



**NOTE :** L'ILLUSTRATION CI-DESSUS REPRÉSENTE UNE ÉVACUATION HORIZONTALE, MAIS CECI S'APPLIQUE ÉGALEMENT POUR UNE ÉVACUATION VERTICALE.

**NOTE :** Pour évacuation horizontale seulement, s'assurer que l'adaptateur/volet entre aisément à l'intérieur du conduit et sceller le joint par l'intérieur de la hotte à l'aide de ruban adhésif de métal de 2 po de largeur.

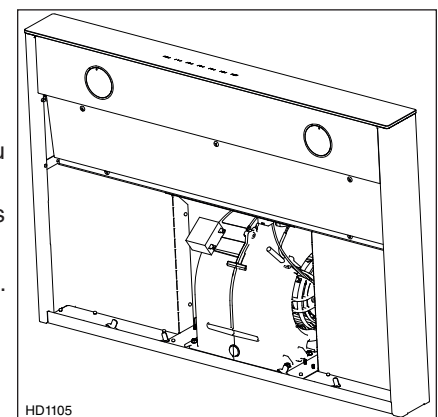
4. Fixer la hotte au mur à l'aide de 2 vis n° 8 x 3/4 po pour les trous du bas, et de 2 vis n° 8 x 1 1/2 po pour les trous du haut.

## 13. RÉINSTALLATION DU VENTILATEUR (ÉVACUATION HORIZONTALE SEULEMENT)

1. Placer le ventilateur au dos de la hotte, tel qu'illustré ci-contre.
2. Fixer le ventilateur à la hotte à l'aide d'une douille 5/16 po ou d'un tournevis Robertson ou Phillips n° 2 et des 4 vis précédemment retirées.

**NOTE :** Afin de faciliter l'installation, préparer les trous des vis en vissant préalablement les 4 vis, sans le ventilateur, puis les retirer et assembler le ventilateur à la hotte.

3. Rebrancher le ventilateur et brancher le cordon d'alimentation de la hotte dans la prise murale.



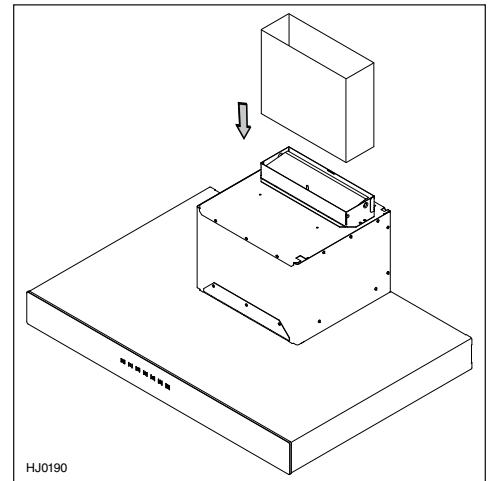
### ATTENTION

**S'assurer que les vis sont bien serrées avant de poursuivre l'installation.**

## 14. INSTALLATION DU CONDUIT (ÉVACUATION VERTICALE SEULEMENT)

1. Brancher le cordon d'alimentation de la hotte dans la prise murale.
2. Glisser le conduit en métal par-dessus l'adaptateur/volet.
3. Sceller hermétiquement le joint à l'aide de ruban adhésif de métal.

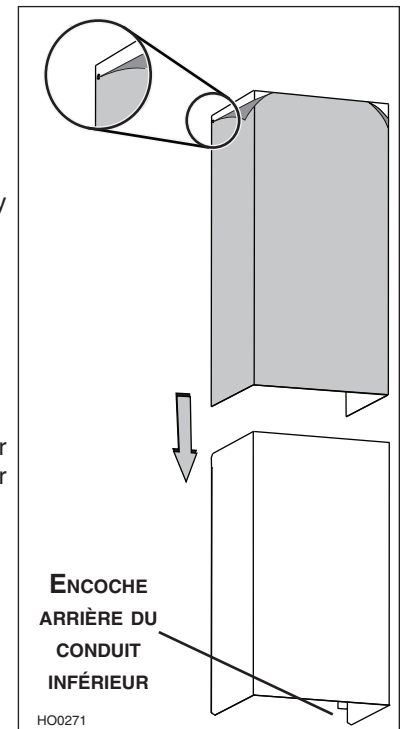
NOTE : Si une transition vers un conduit rond de 7 po ou de 8 po est utilisée (non incluse), il est recommandé de la placer à au moins 18 po de l'adaptateur/volet.



## 15. PRÉPARATION DU CONDUIT DÉCORATIF

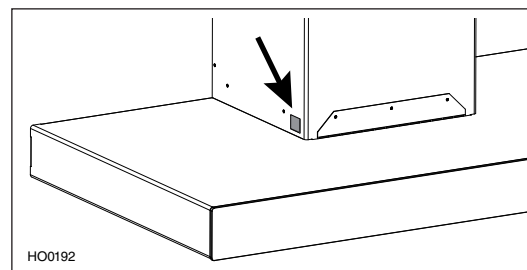
1. Retirer le film protecteur de plastique recouvrant le conduit décoratif inférieur seulement.
2. Enlever juste assez de plastique protecteur pour dégager les coins supérieurs du conduit décoratif supérieur.
3. Positionner les encoches arrière du conduit inférieur vers le bas.
4. Glisser délicatement le conduit décoratif supérieur dans le conduit décoratif inférieur (noter qu'il y a un trou sur les côtés droit et gauche de la partie supérieure; se référer à l'illustration ci-contre).

Les conduits inférieur et supérieur sont inclus avec la hotte, mais pour un plafond de 10 pi, jeter le conduit supérieur fourni et utiliser la rallonge de conduit décoratif modèle AEWCB3SB (acier inoxydable) ou AEWCB3BLS (acier inoxydable noir) (vendus séparément).

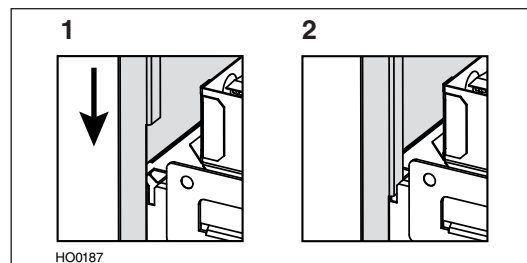


## 16. INSTALLATION DU CONDUIT DÉCORATIF

1. Afin d'éviter que le conduit décoratif ne bouge, apposer les carrés de mousse (inclus) sur les deux côtés vers l'avant du boîtier du ventilateur (tel qu'il est illustré ci-contre).



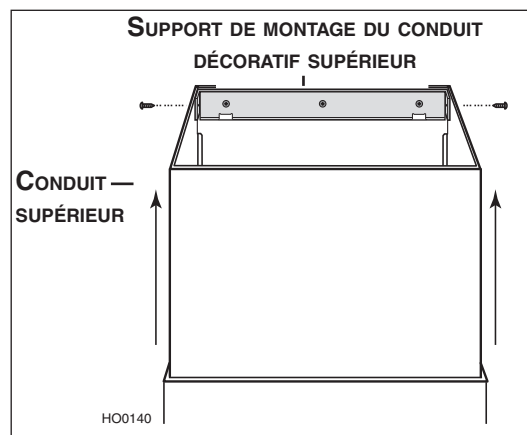
2. Glisser délicatement le conduit décoratif inférieur (l'extrémité avec les encoches en premier) sur le dessus de la hotte (1) jusqu'à ce que les encoches s'emboîtent complètement dans les fentes de la hotte (2).



Soulever le conduit décoratif supérieur jusqu'au niveau de son support de montage. Ce dernier doit être à l'intérieur du conduit. Fixer le conduit supérieur au support à l'aide des 2 vis n° 8 x 3/8 po pour le modèle en acier inoxydable ou 2 vis quadrex noires n° 8 x 1/2 po pour le modèle en acier inoxydable noir (incluses). Voir l'illustration ci-contre.

NOTE : Conduit non montré dans l'illustration afin de faciliter la compréhension.

Retirer le film protecteur de plastique recouvrant le conduit décoratif supérieur.

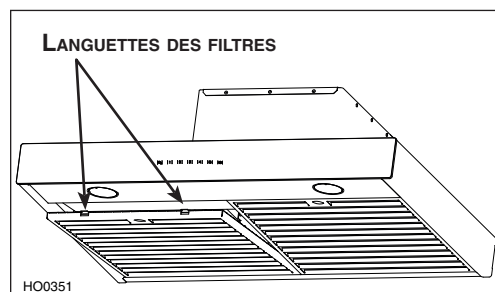


## 17. RÉINSTALLATION DES FILTRES HYBRIDES

### ATTENTION

Retirer la pellicule protectrice de plastique des filtres avant de les réinstaller.

Appuyer le rebord arrière des filtres sur les ressorts de filtre à l'intérieur de la hotte. Incliner chaque filtre vers le haut jusqu'à ce que les languettes soient bien engagées dans les fentes du rebord avant de la hotte. S'assurer que les filtres sont bien en place après l'installation.



## 18. ÉCLAIRAGE À DEL

### ⚠ AVERTISSEMENT

**Ne pas toucher aux modules DEL durant ou peu après leur utilisation. Peuvent causer des brûlures. Ne peuvent être remplacés par aucun autre type d'ampoule ou de module à DEL.**

L'éclairage de cette hotte est produit par 2 modules DEL (inclus).

## 19. ENTRETIEN

### ⚠ AVERTISSEMENT

**Avant de nettoyer ou de réparer l'appareil, coupez le courant au panneau de distribution et verrouillez-en l'accès afin d'éviter sa remise en marche accidentelle. Si le panneau de distribution ne peut être verrouillé, y apposer un avertissement bien en évidence, comme une étiquette de couleur vive.**

#### FILTRES HYBRIDES

Les filtres hybrides doivent être nettoyés mensuellement. Pousser les filtres vers l'arrière de la hotte, puis les abaisser afin de les retirer. Utiliser de l'eau chaude additionnée de détergent. Laisser sécher et réinstaller. Les filtres hybrides vont au lave-vaisselle. Nettoyer les filtres métalliques au lave-vaisselle avec un détergent sans phosphate. L'utilisation d'un détergent avec phosphates, de même que la teneur en minéraux de l'eau, peut occasionner une décoloration des filtres, ce qui n'affectera en rien leur capacité de filtration. Cette décoloration n'est pas couverte par la garantie.

#### ACIER INOXYDABLE

##### **À faire :**

- Laver régulièrement les surfaces à l'aide d'un chiffon ou d'un linge propre imbibé d'eau tiède et de savon doux ou de détergent liquide à vaisselle.
- Toujours nettoyer dans le sens du polissage.
- Toujours bien rincer avec de l'eau claire (de 2 à 3 fois) et essuyer complètement.
- Un nettoyant domestique conçu spécialement pour l'acier inoxydable peut aussi être utilisé.

##### **À ne pas faire :**

- Ne pas utiliser de laine d'acier ou d'acier inoxydable ou tout autre grattoir pour enlever la saleté tenace.
- Ne pas utiliser une poudre nettoyante abrasive ou rugueuse.
- Ne pas laisser la saleté s'accumuler.
- Ne pas laisser la poussière de plâtre ou tout autre résidu de construction atteindre la hotte. Couvrir la hotte pour la durée des travaux afin de s'assurer qu'aucune poussière n'atteint la hotte.

#### FAÇADE DE VERRE

De l'eau chaude et un savon doux ou un nettoyant à vitres suffisent.

Si vous utilisez un savon doux, rincer à l'eau claire. Essuyer à l'aide d'un linge propre et doux pour éviter les stries.

#### **À éviter lors du choix d'un détergent :**

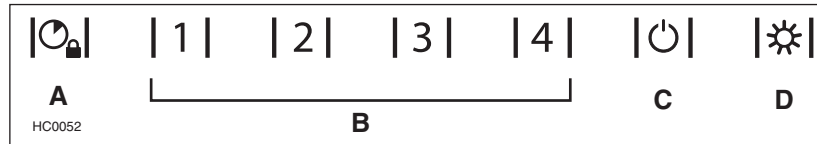
- Tous produits nettoyants contenant des **agents de blanchiment**; ils attaqueront l'acier inoxydable.
- Tous produits contenant du **chlorure**, du **fluorure**, de l'**iode** ou du **bromure**; ils détérioreront rapidement les surfaces.
- Tous produits combustibles utilisés pour le nettoyage : **acétone**, **alcool**, **éther**, **benzène**, etc.; ils sont grandement explosifs et ne devraient jamais être utilisés près d'une cuisinière.

## 20. FONCTIONNEMENT

Toujours mettre en marche la hotte avant de commencer la cuisson afin d'établir une circulation de l'air dans la cuisine. De plus, laisser la hotte fonctionner quelques minutes après l'arrêt de la cuisinière afin d'aérer.

### ATTENTION

Après une panne de courant ou lors de la mise sous tension de la hotte, une séquence de démarrage de 5 secondes est effectuée. Attendre que le rétroéclairage de la commande soit éteint avant de l'utiliser.



#### A. BOUTON D'ARRÊT DIFFÉRÉ/VERROUILLAGE DE LA COMMANDE (BOUTON DOUBLE FONCTION) :

- Lorsque le ventilateur est en marche, appuyer sur ce bouton pour activer la fonction d'arrêt différé. Le bouton s'allumera à haute intensité, puis l'intensité diminuera jusqu'à devenir moyenne pour indiquer que la fonction est activée; le bouton correspondant à la vitesse en vigueur passera de la haute intensité à l'intensité moyenne en alternance aux 2 secondes. Le ventilateur continuera de fonctionner pendant 5 minutes puis s'arrêtera automatiquement. La sélection d'une autre vitesse tandis que la fonction d'arrêt différé est activée ne désactivera pas cette dernière ni ne réinitialisera la minuterie. Pour annuler la fonction d'arrêt différé, appuyer une fois de plus sur ce bouton ou sur le bouton de la vitesse en vigueur. Cette dernière option aura également pour effet d'arrêter le ventilateur.
- Lorsque le ventilateur est arrêté, il est possible de verrouiller la commande afin de nettoyer la façade de verre. Pour verrouiller la commande : appuyer sur ce bouton et maintenir la pression pendant 2 secondes. Le bouton s'allumera à haute intensité puis clignotera 3 fois, l'intensité diminuera ensuite jusqu'à devenir moyenne et le restera afin d'indiquer que la commande est verrouillée. Pour déverrouiller la commande : appuyer sur ce bouton et maintenir la pression pendant 2 secondes. Le bouton s'allumera à haute intensité puis clignotera 3 fois, l'intensité diminuera ensuite jusqu'à devenir faible afin d'indiquer que la commande est déverrouillée.

#### B. BOUTONS DE SÉLECTION DE LA VITESSE :

Appuyer sur le bouton correspondant à la vitesse désirée (de 1 pour la basse vitesse à 4 pour la haute vitesse). Le bouton de la vitesse choisie s'allumera à haute intensité, puis l'intensité diminuera jusqu'à devenir moyenne. Pour arrêter le ventilateur, appuyer une fois de plus sur le bouton correspondant à la vitesse en vigueur; l'éclairage du bouton diminuera jusqu'à devenir faible.

NOTE : Appuyer sur le bouton 1 lorsque le ventilateur est arrêté entraîne un départ en vitesse 2 pour un très court laps de temps, puis le régime passe en vitesse 1.

NOTE : Pour diminuer le débit maximal de 600 pi<sup>3</sup>/min à 300 pi<sup>3</sup>/min, suivre les instructions de l'ensemble CRT 300 pi<sup>3</sup>/min (inclus avec l'appareil, enveloppe n° 23894, ou commander la pièce SV23894).

#### C. BOUTON D'ARRÊT PRINCIPAL :

Lorsque le ventilateur et l'éclairage ne sont pas en fonction, appuyer sur ce bouton afin d'activer la hotte à la dernière vitesse et intensité lumineuse mémorisées. Si aucune vitesse ni aucune intensité lumineuse n'ont été mémorisées, la vitesse sera réglée à 1 et l'intensité lumineuse sera réglée à 3. Appuyer sur ce bouton pour éteindre le ventilateur et l'éclairage simultanément.

HEAT SENTRY<sup>MC</sup> : La hotte est munie d'un thermostat HEAT SENTRY. Si le ventilateur fonctionne en basse vitesse et qu'une chaleur excessive est détectée au-dessus de la surface de cuisson, il règle le ventilateur en troisième vitesse. Lorsque la température revient à la normale, le ventilateur retourne à sa vitesse d'origine.

NOTE : Lorsque le Heat Sentry est en fonction, la fonction d'arrêt différé est désactivée.

### AVERTISSEMENT

Lorsqu'une chaleur excessive est détectée au-dessus de la surface de cuisson, le HEAT SENTRY peut changer la vitesse du ventilateur. Si cette situation se produit et que vous devez arrêter le ventilateur, appuyez sur le bouton de la troisième vitesse ou sur le bouton d'arrêt principal.

#### D. BOUTON D'ÉCLAIRAGE/COULEUR DU RÉTROÉCLAIRAGE (BOUTON DOUBLE FONCTION) :

- Ce bouton offre trois niveaux d'éclairage différents. Appuyer une fois pour un éclairage pleine intensité, deux fois pour le niveau 2 et une fois de plus pour la veilleuse. Appuyer une autre fois pour éteindre les lumières.

Si désiré, lorsque les lumières sont allumées, appuyer et maintenir la pression pendant 1 seconde; les lumières s'éteindront.

NOTE : Lorsque seules les lumières sont allumées (peu importe l'intensité) et qu'aucune interaction avec la hotte n'est détectée pendant une période de 10 secondes, le rétroéclairage des 7 boutons diminuera jusqu'à faible intensité, procurant ainsi un éclairage de type veilleuse.

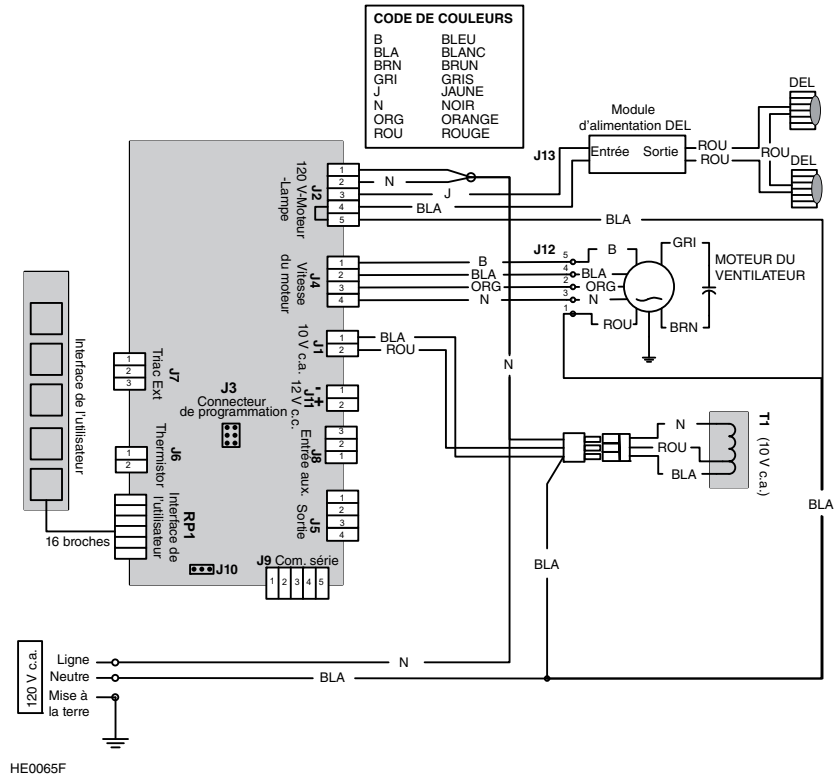
- Lorsque les lumières sont éteintes, appuyer et maintenir la pression pendant 1 seconde afin de faire passer la couleur du rétroéclairage de blanc à bleu ou de bleu à blanc (la couleur par défaut est le blanc) et de la mémoriser. Le bouton clignotera trois fois afin d'indiquer que le changement de couleur a été effectué.

NOTE : En raison de la sensibilité particulière de l'interface de la commande, garder la façade de verre propre car la saleté et la condensation peuvent provoquer un fonctionnement erratique du ventilateur et de l'éclairage de la hotte. Si cette situation se produit, essuyer la façade de verre et attendre 90 secondes. Régler ensuite le ventilateur ou l'éclairage comme désiré.

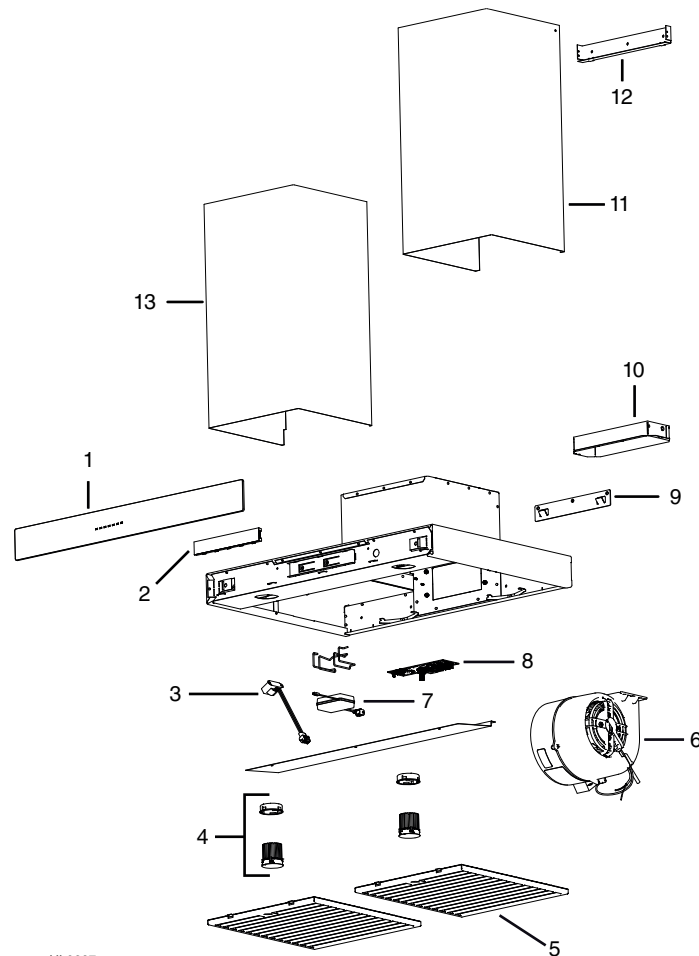
## 21. SCHÉMA ÉLECTRIQUE

### ⚠ AVERTISSEMENT

Risque d'électrocution. Le raccordement électrique doit être effectué par du personnel qualifié conformément aux codes et aux standards. Avant d'effectuer le branchement, coupez l'alimentation électrique au panneau de distribution et verrouillez-le pour éviter une mise en marche accidentelle.



## 22. PIÈCES DE REMPLACEMENT



HL0227

N°	N° DE PIÈCE	DESCRIPTION	Qté (LARGEUR DE HOTTE)	
			30 po	36 po
1	SV09955XX*	FAÇADE DE VERRE 30 po	1	
	SV09956XX*	FAÇADE DE VERRE 36 po		1
2	SV22427	COMMANDE ÉLECTRONIQUE	1	1
3	SV09022	TRANSFORMATEUR	1	1
4	62612	MODULE DEL (1)	2	2
5	SV62053	FILTRE HYBRIDE 15.875 po x 14 po x 0.5 po (1)	2	2
6	SV08582	VENTILATEUR INTERNE	1	1
7	62248	MODULE D'ALIMENTATION DEL ET HARNAIS DE CONNEXION	1	1
8	SV21189	BLOC D'ALIMENTATION	1	1
9	SV09014	SUPPORT DE MONTAGE DE LA HOTTE	1	1
10	SV13296	ADAPTATEUR/VOLET	1	1
11	SV19134	CONDUIT DÉCORATIF SUPÉRIEUR, ACIER INOXYDABLE	1	1
	SV66418	CONDUIT DÉCORATIF SUPÉRIEUR, ACIER INOXYDABLE NOIR	1	1
	SV19135	SUPPORT DE MONTAGE DU CONDUIT DÉCORATIF SUPÉRIEUR	1	1
13	SV19133	CONDUIT DÉCORATIF INFÉRIEUR, ACIER INOXYDABLE	1	1
	SV66419	CONDUIT DÉCORATIF INFÉRIEUR, ACIER INOXYDABLE NOIR	1	1
**	SV23894	ENSEMBLE CRT 300 PI <sup>3</sup> /MIN (OPTIONNEL)	1	1
**	SV23865	GUIDE D'INSTALLATION	1	1
**	SV09027	SAC DE PIÈCES	1	1
**	SV05869	LOGO BEST	1	1

\* N° DE PIÈCE SELON LA COULEUR ET LE FORMAT DE LA FAÇADE DE VERRE. VEUILLEZ COMMUNIQUER AVEC LE SERVICE À LA CLIENTÈLE OU CONSULTER NOTRE SITE WEB.

\*\* NON ILLUSTRÉ.

### PIÈCES DE REMPLACEMENT ET SERVICE

Pour assurer le bon fonctionnement de votre appareil, vous devez toujours utiliser des pièces d'origine provenant de Broan-NuTone. Les pièces d'origine de Broan-NuTone sont spécialement conçues pour satisfaire toutes les normes de certification de sécurité applicables. Leur remplacement par des pièces ne provenant pas de Broan-NuTone pourrait ne pas assurer la sécurité de l'appareil, entraîner une réduction sévère des performances ainsi qu'un risque de défaillance prématurée. Broan-NuTone recommande également de toujours vous référer à une entreprise de services compétente et reconnue par Broan-NuTone pour vos pièces de remplacement et appels de service.

## 23. GARANTIE

### GARANTIE LIMITÉE DE 5 ANS SUR LES PRODUITS BEST<sup>MD</sup>

**Période de garantie et exclusions :** Broan-NuTone LLC (l'« entreprise ») garantit au consommateur qui achète son produit (« vous ») que le produit (le « produit ») restera exempt de défauts importants dans ses composants ou sa fabrication pendant une période de cinq (5) ans à compter de la date de l'achat initial (ou pour une période plus longue si la loi en vigueur l'exige) ou une période de deux (2) ans à compter de la date de la prestation d'un service sur le produit.

La garantie limitée des pièces de rechange fournies par l'entreprise et de tout produit réparé ou remplacé en vertu de cette garantie est valide pour la durée non écoulée de la période de garantie initiale (ou d'une période plus longue si la loi en vigueur l'exige).

**LA PRÉSENTE GARANTIE NE S'APPLIQUE PAS AUX DÉMARREURS DE LAMPE FLUORESCENTE, NI AUX TUBES, AMPOULES, FUSIBLES, FILTRES, CONDUITS, CAPUCHONS DE TOIT, CAPUCHONS MURAUX ET AUX AUTRES ACCESSOIRES POUR CONDUITS.** Cette garantie exclut : a) l'entretien normal, b) l'usure normale, c) les produits et les pièces ayant fait l'objet d'une utilisation mauvaise, abusive ou anormale, d'une négligence, d'un accident, d'un entretien ou d'un entreposage, d'une réparation ou d'un entretien inadéquats ou insuffisants (sauf s'il s'agit d'une réparation effectuée par l'entreprise), d) les dommages attribuables à une installation incorrecte ou à une installation ou utilisation contraires aux recommandations ou aux instructions, e) les dommages attribuables au contact de l'air salin, f) les dommages survenus durant le transport, g) l'usure normale de la finition, h) les produits d'utilisation commerciale ou non résidentielle, i) les dommages causés par le feu, une inondation ou une autre catastrophe naturelle, ou j) les produits dont le numéro de série a été altéré ou effacé. Cette garantie ne s'applique qu'aux produits vendus aux consommateurs en Amérique du Nord. La présente garantie remplace les garanties précédentes et, sous réserve de la loi applicable, n'est pas transférable par l'acheteur initial.

**Aucune autre garantie :** La présente garantie limitée énonce l'unique obligation de l'entreprise et votre seul recours pour les produits défectueux. Les garanties qui précèdent sont exclusives et l'emportent sur les autres garanties et modalités, expresse ou implicites. **DANS TOUTE LA MESURE PERMISE PAR LA LOI EN VIGUEUR, L'ENTREPRISE SE DÉGAGE DES AUTRES GARANTIES ET MODALITÉS EXPRESSES ET DES GARANTIES ET MODALITÉS IMPLICITES EN VERTU DE LA LOI, Y COMPRIS, SANS S'Y LIMITER, LES GARANTIES DE QUALITÉ MARCHANDE ET D'ADAPTATION À UN USAGE PARTICULIER.** Dans la mesure où la loi applicable interdit l'exclusion des garanties ou modalités implicites, la durée d'une garantie ou modalité implicite applicable est restreinte à la période indiquée pour la garantie expresse ci-dessus. Certains territoires de compétence (ce qui peut inclure la province de Québec ou certains États des États-Unis) interdisent les limites à la durée des garanties implicites; la restriction susmentionnée pourrait donc ne pas s'appliquer à vous. Les descriptions orales ou écrites du produit ont pour seul objet d'indiquer les produits et ne sauraient être interprétées dans le sens d'une garantie expresse. Autant que possible, chaque disposition de cette garantie limitée est interprétée de sorte qu'elle soit valide sous le régime de la loi applicable, mais si l'une de ses dispositions est déclarée interdite ou nulle, cette disposition n'est nulle que dans la mesure de cette interdiction ou nullité, et les autres éléments de cette disposition ainsi que les autres dispositions de la garantie limitée restent valides.

**Recours :** Durant la période de la garantie limitée applicable, l'entreprise fournira, à son choix, des pièces de rechange ou des services de réparation ou de remplacement sans frais pour tout produit ou toute pièce de produit, dans la mesure où l'entreprise constate que la présente garantie limitée s'applique à ce produit ou à cette pièce dans le contexte d'une utilisation et d'un entretien normaux. L'entreprise vous expédiera le produit réparé, son remplacement ou les pièces de rechange sans frais. Vous assumez la totalité des coûts de mise hors service, de réinstallation, d'expédition et d'assurance et les autres frais de transport associés à la livraison du produit ou de la pièce à l'entreprise. Si vous devez envoyer le produit ou la pièce à l'entreprise, conformément à ses instructions, vous devez emballer adéquatement le produit ou la pièce; l'entreprise n'est pas responsable des dommages survenus durant le transport. L'entreprise se réserve le droit d'utiliser des produits ou pièces remis à neuf, réparés ou remanufacturés aux fins de réparation ou de remplacement dans le cadre de la garantie. Ces produits et ces pièces seront comparables quant à la fonction et aux performances avec les produits ou pièces d'origine, et protégés par une garantie pour la durée restante de la période de garantie initiale (ou d'une période plus longue si la loi en vigueur l'exige). L'entreprise se réserve le droit, à son entière discrétion, de rembourser le montant que vous avez effectivement payé pour le produit. Si le produit ou la pièce n'est plus disponible, elle peut le ou la remplacer par un produit similaire de valeur égale ou supérieure, à son entière discrétion. Ceci constitue votre seul recours advenant un non-respect de la présente garantie limitée.

**Exclusion des dommages :** **L'OBLIGATION DE L'ENTREPRISE DE FOURNIR DES PIÈCES DE RECHANGE, OU DE RÉPARER OU REMPLACER LE PRODUIT, À SON CHOIX, EST VOTRE SEUL RECOURS EN VERTU DE LA PRÉSENTE GARANTIE LIMITÉE ET L'UNIQUE OBLIGATION DE L'ENTREPRISE. CETTE DERNIÈRE N'EST PAS RESPONSABLE DES DOMMAGES INDIRECTS OU SPÉCIAUX DÉCOULANT DIRECTEMENT OU INDIRECTEMENT DU PRODUIT, DE SON UTILISATION OU DE SES PERFORMANCES.**

Certains territoires de compétence interdisent l'exclusion ou la restriction des dommages indirects; la restriction qui précède pourrait donc ne pas s'appliquer à vous. Cette garantie vous donne des droits spécifiques, et vous pourriez aussi avoir d'autres droits, qui varient selon le territoire de compétence. Les renonciations, exclusions et restrictions de responsabilité aux termes de cette garantie ne s'appliquent pas dans la mesure où la loi en vigueur interdit une telle application.

La présente garantie ne s'applique qu'au remplacement ou à la réparation de produits ou pièces de produit défectueux effectué au principal lieu d'affaires de l'entreprise, et exclut les frais de déplacement et de subsistance liés aux services fournis sur le terrain.

Tout soutien que l'entreprise vous fournit ou vous procure et qui n'est pas visé par les dispositions, limites ou exclusions de la présente garantie limitée ne constitue pas une renonciation à ces dispositions, limites ou exclusions, et la fourniture de ce soutien ne prolonge ni ne rétablit la garantie.

L'entreprise ne vous remboursera pas vos dépenses faites pour la réparation ou le remplacement d'un produit défectueux, sauf celles pour lesquelles vous avez obtenu le consentement écrit de l'entreprise.

**Comment obtenir le service de garantie :** Pour avoir droit au service de garantie, vous devez : a) aviser l'entreprise à l'adresse ou au numéro de téléphone indiqué ci-dessous dans les sept (7) jours qui suivent la date où vous avez eu connaissance de la défectuosité couverte, b) indiquer le numéro de modèle et les données d'identification de la pièce, et c) décrire la nature de toute défectuosité du produit ou de la pièce. Au moment où vous demandez le service de garantie, vous devez présenter une preuve de la date de l'achat initial. Si vous ne pouvez pas produire de copie de l'original de la garantie limitée, alors ce seront les modalités de la dernière version de la garantie limitée de votre produit de l'entreprise qui s'appliqueront.

### SPÉCIFICATIONS DU PRODUIT

Toutes les illustrations et les spécifications des produits contenues dans ce catalogue sont établies d'après les plus récentes données disponibles en date de la production. Broan-NuTone LLC et BEST<sup>MD</sup> se réservent le droit de modifier les prix, les couleurs, les composants, les produits, les spécifications et les modèles, de déplacer le lieu de fabrication et de cesser la production d'un modèle ou d'un produit, et ce, en tout temps et sans préavis.

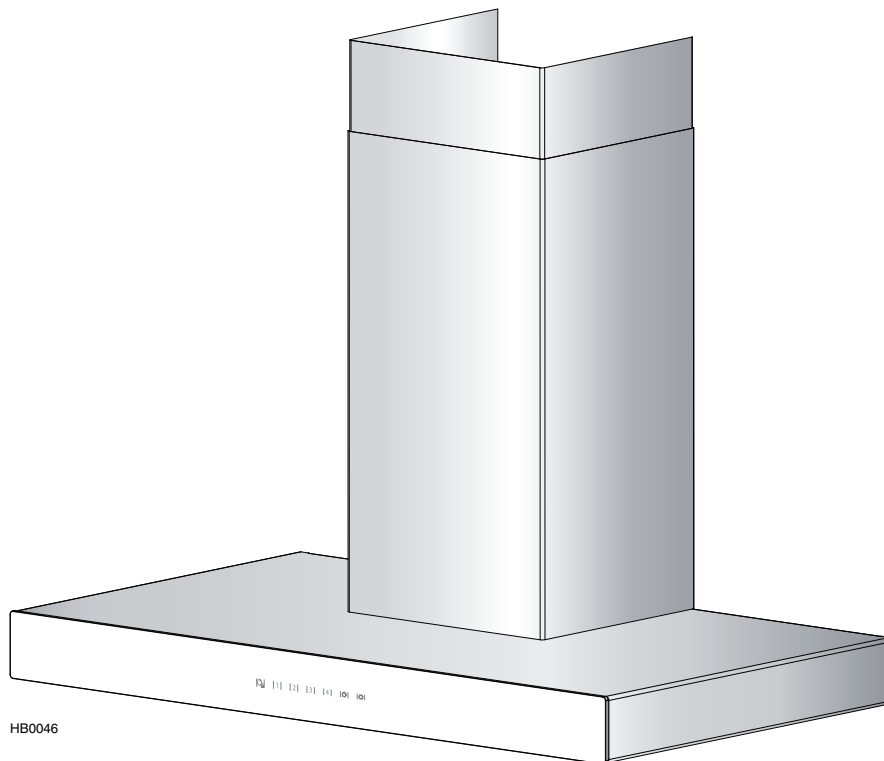
Best

Broan-NuTone LLC : 926 W. State Street, Hartford (WI) 53207 1 800 637-1453

Best<sup>MD</sup>, 550, boul. Lemire, Drummondville (Québec), Canada (1 866 737-7770) fr.bestrangehoods.ca



# best®



HB0046

## SERIE WCB3I

⚠ CONCEBIDO SÓLO PARA USO DOMÉSTICO ⚠

**LEER Y CONSERVAR ESTAS INSTRUCCIONES**

INSTALADOR: DEJAR ESTE MANUAL AL PROPIETARIO.  
PROPIETARIO: INSTRUCCIONES DE UTILIZACIÓN Y MANTENIMIENTO  
EN LAS PÁGINAS 12 Y 13.

BEST; Hartford, Wisconsin [www.BestRangeHoods.com](http://www.BestRangeHoods.com) 800-558-1711  
BEST; Drummondville, QC, Canada [www.BestRangeHoods.ca](http://www.BestRangeHoods.ca) 866-737-7770

## **⚠️ ADVERTENCIA**

### **PARA REDUCIR EL RIESGO DE INCENDIO, CHOQUE ELÉCTRICO O HERIDAS CORPORALES, SIGA LAS INDICACIONES SIGUIENTES:**

1. Utilice este aparato sólo en la forma prevista por el fabricante. Si tiene preguntas, póngase en contacto con el fabricante en la dirección o número de teléfono indicados en la garantía.
2. Antes del mantenimiento o de la limpieza del aparato, apague la alimentación en el tablero de servicio y bloquee los medios de desconexión para evitar que se conecte la corriente accidentalmente. Cuando no se puedan bloquear los medios de desconexión de servicio, coloque firmemente un dispositivo de aviso visible, como una etiqueta, en el tablero de servicio.
3. Los trabajos de instalación y el cableado eléctrico han de ser realizados por personal cualificado, de conformidad con todos los códigos y normas aplicables, incluyendo los códigos y normas de construcción contra incendios.
4. Se necesita aire suficiente para una combustión adecuada y para sacar los gases por la chimenea del equipo que quema el combustible para evitar la contracorriente. Siga las directrices del fabricante del equipo de calefacción y las normas de seguridad, tales como las que publica la Asociación Nacional de Protección Contra Incendios (NFFPA) y la Sociedad Americana de Ingenieros de Calefacción, Refrigeración y Aire Acondicionado (ASHRAE) y las de las autoridades responsables del código local.
5. Al cortar o taladrar en la pared o en el techo, procure no dañar el cableado eléctrico ni otras instalaciones ocultas.
6. Los ventiladores con conductos deben tener siempre salida al exterior.
7. No use el aparato con cualquier dispositivo de control de velocidad de semiconductores.
8. Para reducir el riesgo de incendio, utilice sólo conductos metálicos.
9. Este aparato debe conectarse a tierra.
10. Cuando la reglamentación local aplicable sea más restrictiva en materia de instalación o certificación, dicha reglamentación prevalecerá sobre las exigencias de este manual y el instalador acepta atenerse a dicha reglamentación y asumir los gastos correspondientes.

### **PARA REDUCIR EL RIESGO DE INCENDIO DE LA GRASA ACUMULADA EN LA PARTE SUPERIOR DE LA COCINA:**

- a) Nunca deje una cocina a fuego fuerte desatendida. Los desbordamientos causan humo y derrames grasientos que pueden encenderse. Caliente el aceite lentamente y a fuego lento o mediano.
- b) Encienda la campana siempre que cocine a fuego fuerte o al flambear alimentos (p. ej., Creps Suzette, cerezas Jubilee, carne de res flambeada con pimienta).
- c) Limpie los ventiladores con frecuencia. No debe dejarse que se acumule la grasa en el ventilador, filtros o conductos de salida.
- d) Use sartenes, ollas y cacerolas del tamaño adecuado a las dimensiones de la placa eléctrica o fuego. Utilice siempre recipientes de cocina apropiados para el tamaño de la placa eléctrica o fuego.

## **⚠️ ADVERTENCIA**

### **PARA REDUCIR EL RIESGO DE LESIONES PERSONALES EN CASO DE INCENDIO DE LA GRASA ACUMULADA EN LA PARTE SUPERIOR DE LA COCINA, SIGA ESTAS INDICACIONES\*:**

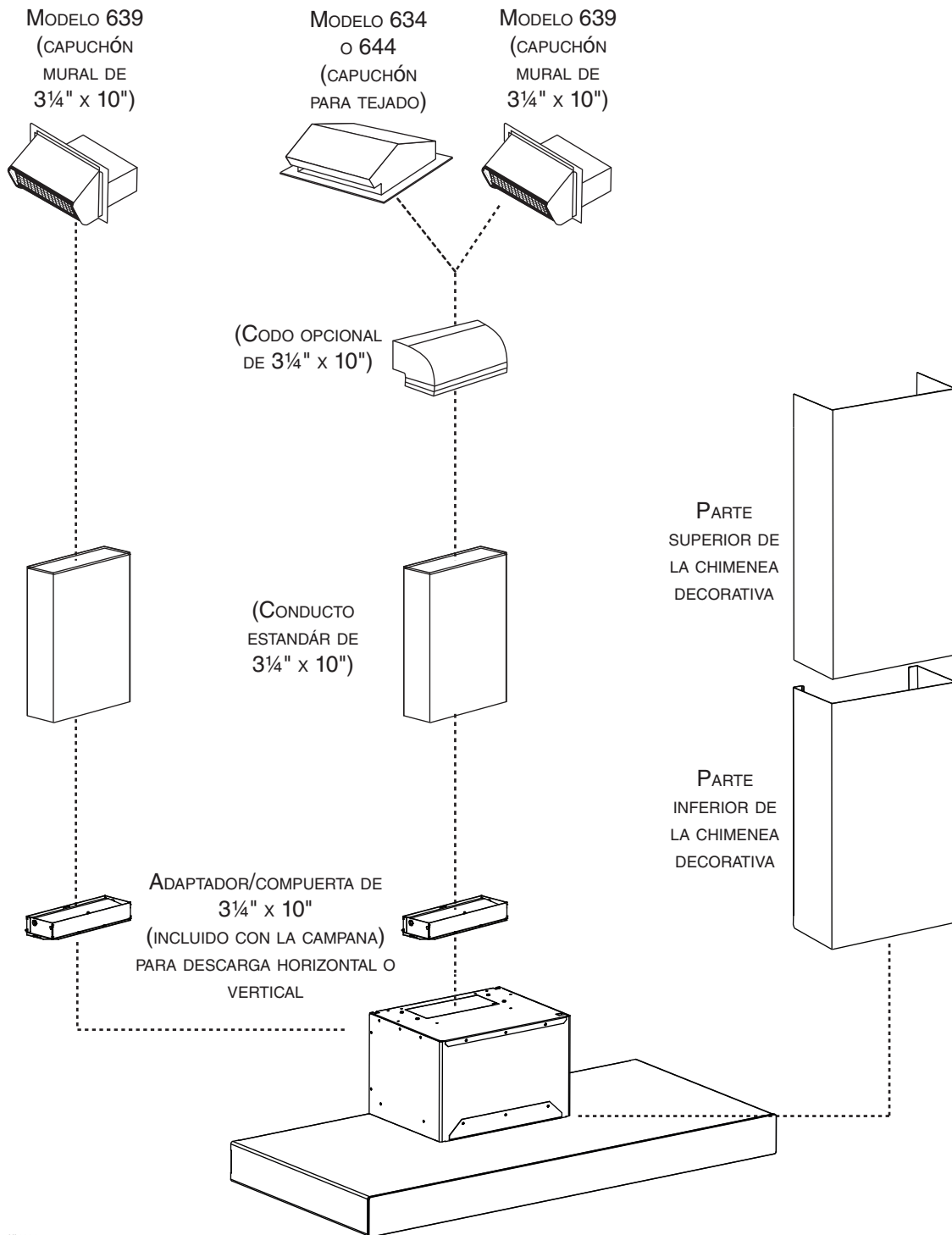
1. SOFOQUE LAS LLAMAS con una tapa bien ajustada, una bandeja metálica u hoja para hacer galletas y, a continuación, apague el quemador. **TENGA CUIDADO DE NO QUEMARSE.** Si las llamas **NO SE APAGAN INMEDIATAMENTE, EVACÚE EL LUGAR INMEDIATAMENTE Y LLAME A LOS BOMBEROS.**
2. **NO TRATE NUNCA DE SUJETAR UNA SARTÉN EN LLAMAS:** podría quemarse.
3. **NO USE AGUA,** ni trapos de cocina o toallas húmedos: esto podría causar una violenta explosión de vapor.
4. Use un extintor **SÓLO** si:
  - A. Tiene un extintor de tipo ABC y sabe cómo funciona.
  - B. El fuego es pequeño y se limita a la zona donde comenzó.
  - C. Ya llamó a los bomberos.
  - D. Puede combatir el fuego disponiendo de un lugar de salida a su espalda.

\* Basado en "Kitchen Fire Safety Tips" (consejos de seguridad contra incendios de cocina) publicado por la NFFPA.

## **PRECAUCIÓN**

1. Sólo para uso interior.
2. Sólo para ventilación general. No lo use para evacuar materias ni vapores peligrosos o explosivos.
3. Para evitar daños en los cojinetes del motor y ventiladores ruidosos o desequilibrados, mantenga la pulverización del cartón yeso, el polvo de construcción, etc. lejos de la unidad de alimentación.
4. El motor de la campana tiene un dispositivo de sobrecarga térmica que apaga automáticamente el motor si se sobrecalienta. El motor volverá a funcionar cuando se enfríe. Si el motor sigue apagándose y encendiéndose, haga que un técnico examine la campana.
5. La distancia mínima entre la campana y la superficie sobre la que se cocina no debe ser inferior a 24" (30" para una cocina de gas). Se aconseja una distancia máxima de 30" por encima de la superficie sobre la que se cocina para capturar mejor las impurezas que se producen al cocinar.
6. Se recomienda que haya dos personas para instalar la campana dadas sus grandes dimensiones y su peso.
7. Para reducir el riesgo de incendio y expulsar el aire debidamente, compruebe que el aire vaya al exterior. No lleve el aire a espacios situados entre paredes, en el techo o en un desván, en sótanos pequeños ni en cocheras.
8. Dada la alta capacidad de expulsión de aire de esta campana, debe asegurarse de que en la casa entra aire suficiente. Abra una ventana en o cerca de la cocina.
9. Para reducir el riesgo de incendio o de descarga eléctrica, los modelos de la serie Best WCB3I sólo deben instalarse con su propio ventilador impelente incorporado.
10. Para mayor información sobre otras exigencias, lea la etiqueta de especificaciones que viene en el aparato.

# CAMPANA DE LA SERIE WCB3I



HL0226

## TABLA DE CONTENIDO

1. INSTALACIÓN DE LOS TUBOS.....	4
2. PREPARACIÓN DE LA INSTALACIÓN.....	5
3. ELECCIÓN DEL TIPO DE INSTALACIÓN.....	5
4. QUITA LOS FILTROS HÍBRIDOS.....	5
5. INSTALE EL PANEL DE VIDRIO (MODELOS SBN ÚNICAMENTE).....	6
6. PREPARE LA APERTURA.....	6
7. QUITA EL VENTILADOR (DESCARGA HORIZONTAL ÚNICAMENTE).....	7
8. INSTALE EL ADAPTADOR/COMPUERTA.....	7
9. INSTALACIÓN DEL CABLEADO.....	8
10. INSTALE EL SOPORTE DE MONTAJE DE LA CAMPANA.....	8
11. INSTALE EL SOPORTE DE MONTAJE DE LA PARTE SUPERIOR DE LA CHIMENEA.....	9
12. INSTALACIÓN DE LA CAMPANA.....	9
13. VUELVA A INSTALAR EL VENTILADOR (DESCARGA HORIZONTAL ÚNICAMENTE).....	9
14. CONEXIÓN DEL CONDUCTO (DESCARGA VERTICAL ÚNICAMENTE).....	10
15. PREPARE LA CHIMENEA DECORATIVA.....	10
16. INSTALE LA CHIMENEA DECORATIVA.....	11
17. VUELVA A INSTALAR LOS FILTROS HÍBRIDOS.....	11
18. ILUMINACIÓN LED.....	12
19. CUIDADO.....	12
20. FUNCIONAMIENTO.....	13
21. DIAGRAMA ELÉCTRICO.....	14
22. PIEZAS DE RECAMBIO.....	15
23. GARANTÍA.....	16

### 1. INSTALACIÓN DE LOS TUBOS

Planifique dónde y como se van a colocar los conductos. El conducto que conecta esta campana con el exterior del edificio tiene un efecto directo en el flujo de aire, el ruido generado y el consumo de energía de su ventilador.

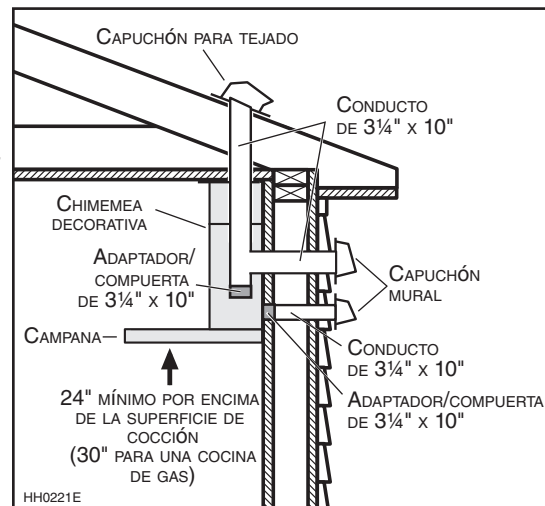
Un tubo recto y corto permitirá que la campana funcione más eficazmente.

Instale tuberías, codos y capuchones para tejado o murales del tamaño adecuado. El aislamiento alrededor del conducto puede reducir la pérdida de energía y prevenir el crecimiento de moho. Las campanas instaladas con un conducto preexistente pueden no alcanzar su flujo nominal. Consulte la tabla a continuación para ayudarlo a planificar la instalación más eficiente.

Instale un capuchón para tejado o mural y asegúrese de que no haya fugas en el aislamiento de la casa. Conecte la tubería metálica al capuchón y vaya retrocediendo hasta el lugar donde instalará la campana. Utilice cinta metálica de 2" para sellar las juntas.

**La distancia mínima entre la campana y la superficie sobre la que se cocina no debe ser inferior a 24" para una cocina eléctrica (30" para una cocina de gas).**

ALTURA DEL TECHO	8 PIES	9 PIES	10 PIES*
DISTANCIA MÍNIMA/MÁXIMA RECOMENDADA POR ENCIMA DE LA SUPERFICIE DE COCCIÓN DE UNA COCINA ELÉCTRICA	24"/30"	24"/30"	24"/30"
DISTANCIA MÍNIMA/MÁXIMA RECOMENDADA POR ENCIMA DE LA SUPERFICIE DE COCCIÓN DE UNA COCINA DE GAS	30"/33"	30"/36"	30"/36"



Las distancias por encima de 36 pulgadas quedan a discreción del instalador y de los usuarios.

\*Los techos de 10 pies requieren una prolongación de la chimenea decorativa de 10 pies n.º de pieza AEWCB3SB (acero inoxidable) o AEWCB3BLS (acero inoxidable negro) (se vende aparte).

#### LONGITUDES MÁXIMAS DE CONDUCTOS RECOMENDADAS PARA UNA EFICIENCIA DE DESCARGA DE 80 %

LONGITUD MÁXIMA DEL CONDUCTO DE 3 1/4" x 10"	CAPUCHÓN MURAL O PARA TEJADO CON COMPUERTA	Codo(s)* DE 90° Y/O DE 45°
60 PIES	1	0
50 PIES	1	1
40 PIES	1	2

\*CODOS ESTÁNDARES CON RADIO INTERNO DE 1"

## 2. PREPARACIÓN DE LA INSTALACIÓN

### ⚠ ADVERTENCIA

**Se aconseja llevar lentes y guantes de seguridad para instalar, reparar o limpiar la unidad.**

NOTA: Antes de comenzar la instalación, verificar el contenido de la caja. Si alguna pieza falta o está dañada, póngase en contacto con el fabricante.

Compruebe que los siguientes elementos están incluidos:

- Campana
- Accesorios
  - Conjunto de la chimenea decorativa (parte superior e inferior)
  - Soporte de montaje de la parte superior de la chimenea decorativa (pegada dentro de la campana)
  - Soporte de montaje de la campana (pegada dentro de la campana)
  - 2 filtros híbridos
  - Adaptador/compuerta de 3¼" x 10" (para descarga horizontal o vertical) pegados dentro de la chimenea decorativa
  - Bolsa de piezas (pegada dentro de la campana) que incluye: 5 tornillos embutidos n.º 8 x 1½", 8 tornillos n.º 8 x 3/4", 2 tornillos n.º 8 x 1/2", 2 tornillos quadrex negro n.º 8 x 1/2", 6 tornillos n.º 8 x 3/8", 6 dispositivos de sujeción para paneles murales, 3 arandelas y 2 cuadrados de espuma. Si es necesario, deseche las piezas que sobren.

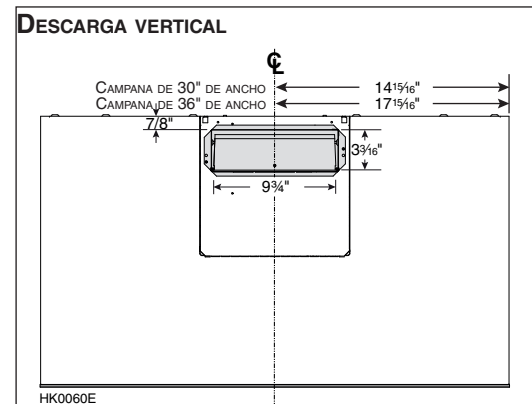
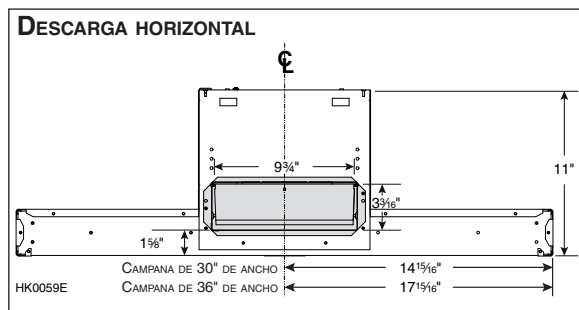
Piezas vendidas aparte:

- Conductos, codos, capuchones murales y para tejado.
- Prolongación opcional de la chimenea decorativa para techos de 10 pies, modelo n.º AEWCB3SB (acero inoxidable) o AEWCB3BLS (acero inoxidable negro).
- Panel de vidrio para los modelos WCB3I30SBN y WCB3I36SBN (consulte la lista de piezas de servicio en la página 15).

NOTA: Durante la instalación, proteja la encimera y la parte superior de la cocina.

## 3. ELECCIÓN DEL TIPO DE INSTALACIÓN

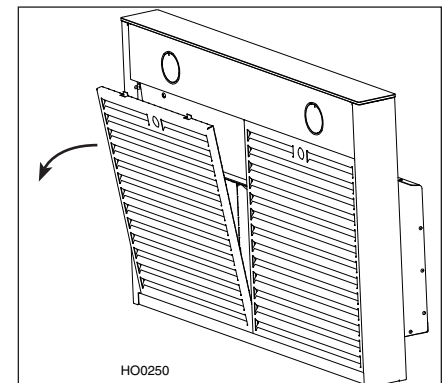
Consulte las ilustraciones a continuación para localizar la apertura del conducto según el tipo de descarga (las piezas grises se deben instalar más tarde).



## 4. QUITE LOS FILTROS HÍBRIDOS

Coloque la parte posterior de la campana sobre una mesa. Use un pedazo de cartón para evitar dañar la mesa o la campana.

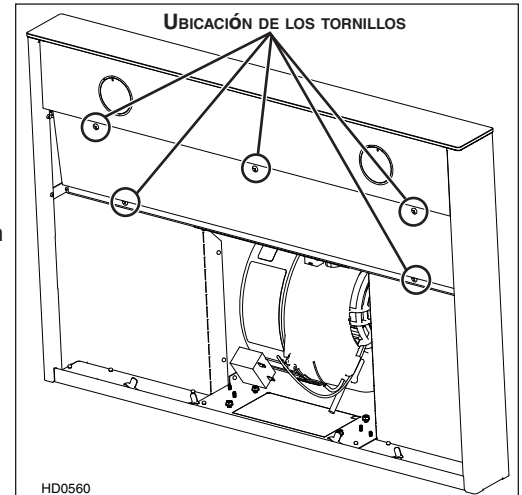
Quite la cinta que hay sobre los filtros. Quite los filtros tirando de ellos hacia abajo y volteándolos hacia abajo. Ponga los filtros a un lado.



## 5. INSTALE EL PANEL DE VIDRIO (MODELOS SBN ÚNICAMENTE)

El panel de vidrio del modelo de campana SBN se vende aparte y tiene que instalarse antes de completar la instalación de la campana.

1. Utilice un destornillador Robertson o Phillips n.º 2 para quitar los 5 tornillos que sujetan la tapa del compartimento eléctrico. Ponga a un lado la tapa y los tornillos.

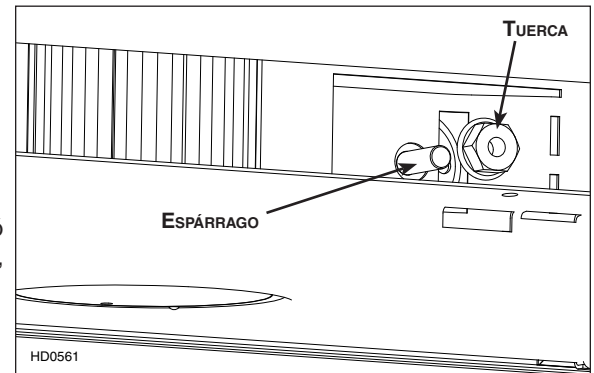


2. Saque con cuidado el panel de vidrio de su embalaje. Retire las tuercas del panel de vidrio nuevo (instaladas en fábrica) de ambos espárragos y póngalas a un lado.

3. Introduzca los espárragos del nuevo panel de vidrio en los agujeros apropiados de la campana.

4. Mientras mantiene el panel de vidrio, apriete a mano las tuercas que retiró anteriormente. Compruebe que el panel de vidrio está centrado. A continuación, utilice una llave de 3/8" para apretar bien las tuercas.

5. Vuelva a colocar la tapa del compartimento eléctrico.



## 6. PREPARE LA APERTURA

### PRECAUCIÓN

No use nunca un martillo y un destornillador para quitar el troquelado para la descarga vertical u horizontal ya que podría dañar las piezas internas de la campana.

#### DESCARGA VERTICAL

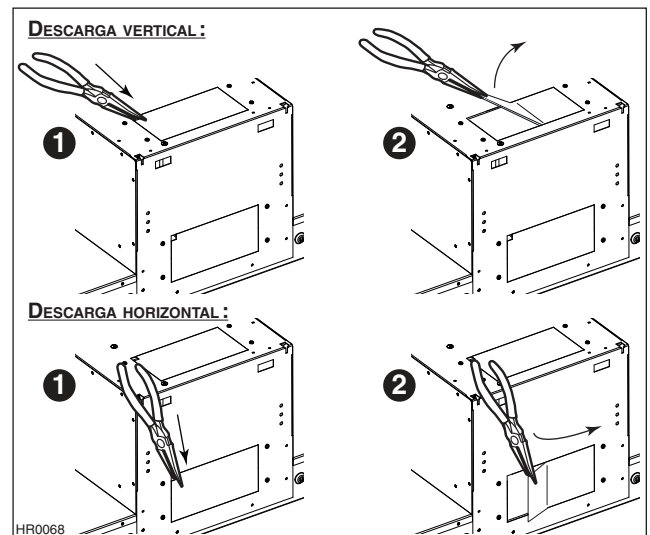
Use unos alicates de punta larga para retirar el troquelado situado en la parte superior de la campana.

Véase la ilustración a la derecha.

#### DESCARGA HORIZONTAL

Use unos alicates de punta larga para retirar el troquelado situado en la parte posterior de la campana.

Véase la ilustración a la derecha.

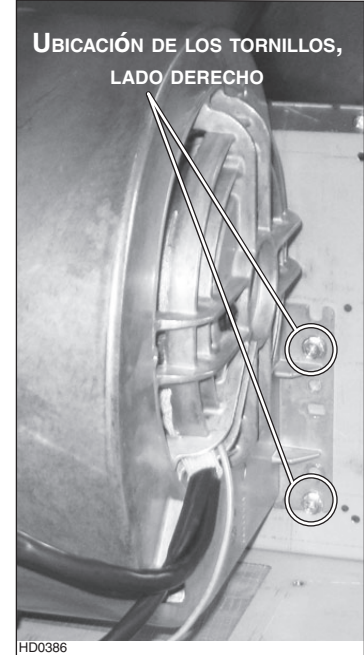
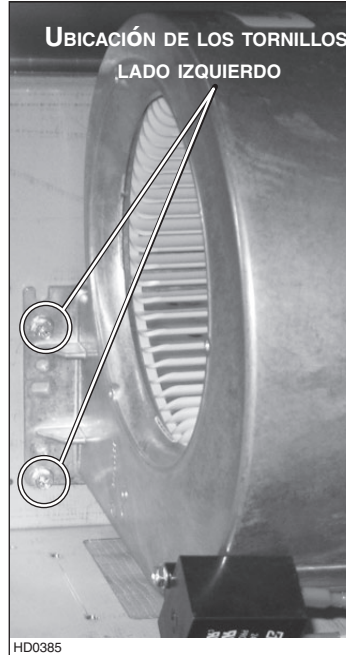
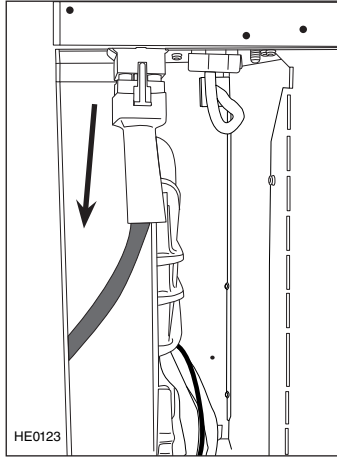


## 7. QUITE EL VENTILADOR (DESCARGA HORIZONTAL ÚNICAMENTE)

Las campanas se envían de fábrica con el ventilador configurado para una descarga vertical. Para una descarga horizontal, desmonte el ventilador desde el interior de la campana siguiendo las etapas a continuación. Se ensamblará en la parte posterior interna de la campana una vez que se instale en la pared.

2) Use una llave de tubo de 5/16" o un destornillador Robertson o Phillips n.º 2 y los 4 tornillos sosteniendo el ventilador (2 en cada lado) desde el interior de la campana. Ponga a un lado el ventilador y sus tornillos.

1) Desconecte el ventilador.

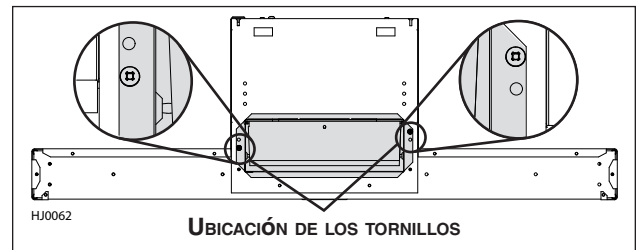


## 8. INSTALE EL ADAPTADOR/COMPUERTA

### DESCARGA HORIZONTAL

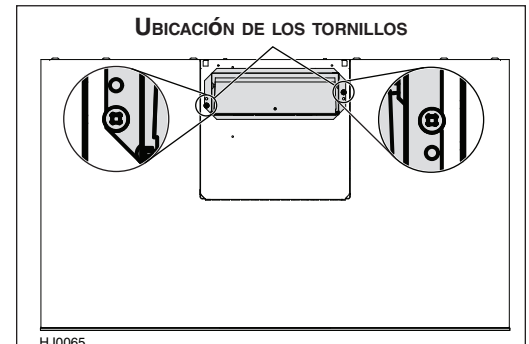
Sujete el adaptador/compuerta de 3¼" x 10" a la parte posterior de la campana utilizando 2 tornillos n.º 8 x 3/8" (incluidos). Selle el adaptador/compuerta a la campana con cinta adhesiva metálica.

NOTA: El conducto de la pared debe estar debidamente preparado para acoger el adaptador. Antes de realizar la instalación, asegúrese de que el adaptador encaja fácilmente en el conducto.



### DESCARGA VERTICAL

Sujete el adaptador/compuerta de 3¼" x 10" a la parte superior de la campana utilizando 2 tornillos n.º 8 x 3/8" (incluidos). Selle el adaptador/compuerta a la campana con cinta adhesiva metálica.



## 9. INSTALACIÓN DEL CABLEADO

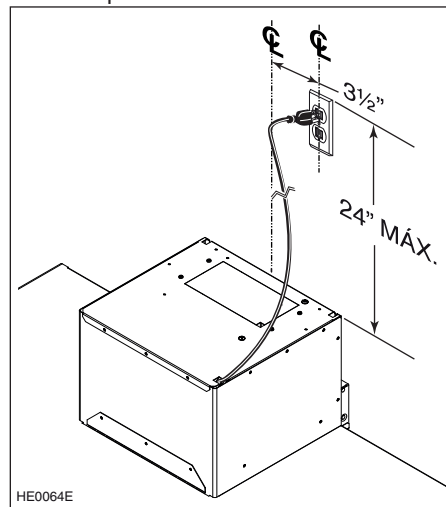
### ⚠ ADVERTENCIA

Una puesta a tierra inadecuada puede provocar un riesgo de descarga eléctrica. Consulte a un electricista cualificado si no comprende bien las instrucciones de puesta a tierra o si tiene dudas sobre la puesta a tierra del aparato. No utilice el aparato con un cable prolongador. Si el cable de alimentación es demasiado corto, haga que un electricista cualificado instale un enchufe más cerca del aparato, de acuerdo con todos los códigos y normas aplicables. Antes de iniciar el cableado, desconecte la corriente eléctrica en la entrada de servicio.

### INSTRUCCIONES PARA LA PUESTA A TIERRA

Este aparato debe conectarse a tierra. En caso de cortocircuito eléctrico, la puesta a tierra reduce el riesgo de choque eléctrico al proporcionar un cable de escape para la corriente eléctrica. Este aparato está equipado con un cordón que contiene un cable de puesta a tierra mediante un enchufe con toma de tierra. El enchufe debe conectarse a una toma de corriente que esté correctamente instalada y conectada a tierra.

Coloque la toma de corriente en el espacio cubierto por la chimenea decorativa. Sitúe la toma de corriente a una distancia máxima de 24" desde el lugar donde el cordón sale de la campana. El centro de la toma de corriente debe colocarse a 3½" del centro de la futura ubicación de la campana (como se muestra en la figura de la derecha). Asegúrese de que esto no interfiere con la zona para fijar el soporte de montaje o con la chimenea decorativa (cuando la chimenea toque la pared).



## 10. INSTALE EL SOPORTE DE MONTAJE DE LA CAMPANA

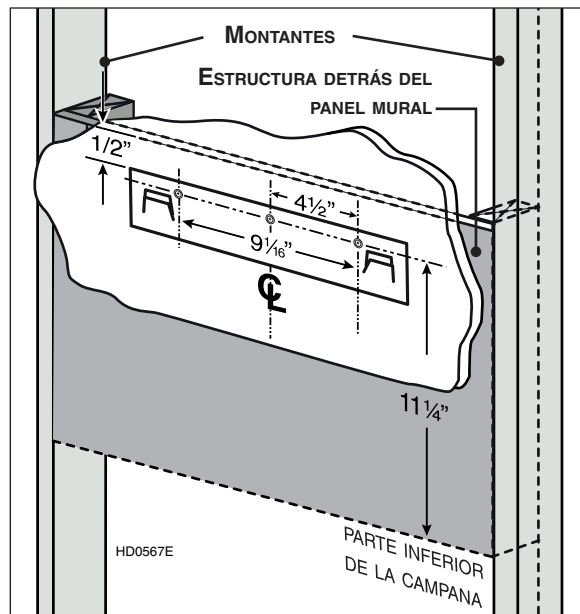
### ⚠ ADVERTENCIA

Al cortar o taladrar en la pared, procure no dañar el cableado eléctrico ni otras instalaciones ocultas.

Construya una estructura mural de madera que sea pareja con la superficie de los montantes de la pared.

Sujete la estructura mural de madera a los montantes para lograr una instalación sólida. Asegúrese de que la altura de la estructura permitirá sujetar el soporte de montaje a la estructura conforme a las dimensiones que se muestran (véase la ilustración de la derecha). Una vez terminada la superficie de la pared, centre y ponga a nivel con cuidado el soporte de montaje de la campana sobre el lugar de la instalación. Sujételo a la pared con 3 tornillos n.º 8 x 1½".

Utilice un nivel para trazar una línea vertical hasta el techo, empezando desde el centro del soporte de montaje.





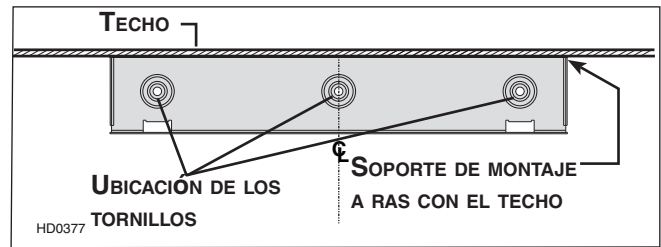
## 11. INSTALE EL SOPORTE DE MONTAJE DE LA PARTE SUPERIOR DE LA CHIMENEA

Centre el soporte de montaje de la parte superior de la chimenea con la línea central trazada anteriormente en la etapa 10 y colóquelo a ras con el techo.

Use el soporte de montaje de la parte superior de la chimenea como plantilla para marcar la posición de sus tornillos.

Taladre los 3 orificios para los tornillos con una broca de 3/16".

Introduzca los dispositivos de sujeción para paneles murales en los orificios taladrados (1 por orificio). Sujete el soporte de la parte superior de la chimenea con 3 tornillos n.º 8 x 3/4". Asegúrese de que el soporte quede bien apretado contra la pared.



## 12. INSTALACIÓN DE LA CAMPANA

### ⚠ ADVERTENCIA

**TENGA CUIDADO** al instalar la chimenea decorativa y la campana, pueden tener bordes cortantes.

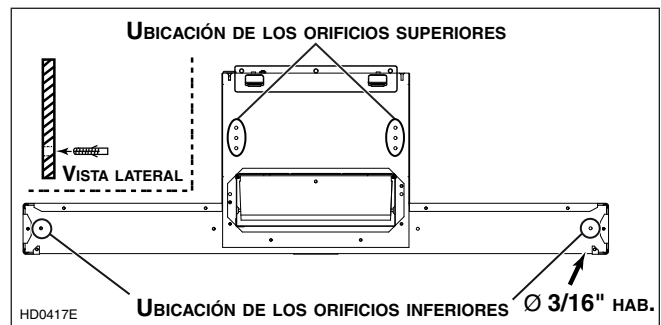
### PRECAUCIÓN

**NO RETIRE** aún la película protectora de plástico que cubre la chimenea decorativa.

1. Alinee la campana y céntrela por encima del soporte de montaje de la campana. Baje suavemente la campana hasta que encaje firmemente en el soporte y tire ligeramente hacia abajo para asegurarse de que está totalmente acoplada.

2. Ponga a nivel la campana.

3. Marque la posición de ambos orificios situados dentro de la parte posterior inferior de la campana (como se muestra a la derecha). Marque también la posición de 2 de los 6 orificios superiores disponibles (uno en cada lado). Retire la campana. Taladre en la pared ambos orificios inferiores utilizando una broca de 3/16". Introduzca los dispositivos de sujeción para paneles murales incluidos en ambos orificios inferiores taladrados. Alinee la campana y céntrela por encima del soporte de montaje de la campana. Baje suavemente la campana hasta que encaje firmemente en el soporte y tire ligeramente hacia abajo para asegurarse de que está totalmente acoplada.



**NOTA:** LA ILUSTRACIÓN DE ARRIBA MUESTRA UNE DESCARGA HORIZONTAL, PERO ESTO TAMBIÉN SE APLICA A LA DESCARGA VERTICAL.

**NOTA:** **Sólo para descarga horizontal**, asegúrese de que el adaptador/compuerta entra en la apertura del conducto y selle la junta desde el interior de la campana utilizando cinta adhesiva metálica de 2".

4. Sujete la campana a la pared con 2 tornillos n.º 8 x 3/4" para los orificios inferiores y 2 tornillos n.º 8 x 1 1/2" para los orificios superiores.

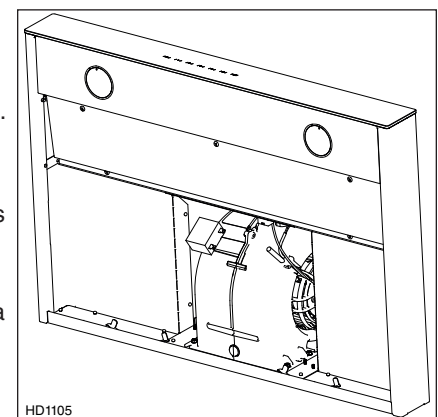
## 13. VUELVA A INSTALAR EL VENTILADOR (DESCARGA HORIZONTAL ÚNICAMENTE)

1. Coloque el ventilador sobre la descarga de la pared posterior (como se muestra a la derecha).

2. Use una llave de tubo de 5/16" o un destornillador Robertson o Phillips n.º 2 y los 4 tornillos que quitó anteriormente para sujetar el ventilador a la campana.

**NOTA:** Para facilitar la instalación, antes de montar el ventilador, prepare los orificios de los tornillos atornillando los tornillos sin el ventilador; a continuación, retírelos y monte el ventilador.

3. Vuelva a enchufar el conector del ventilador y enchufe el cable de alimentación de la campana en la toma de corriente.



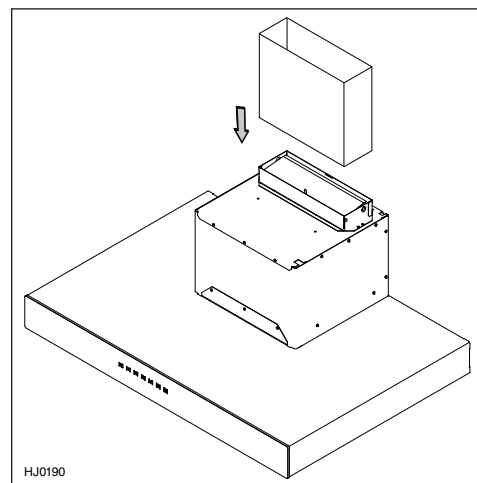
### PRECAUCIÓN

**Asegúrese** de que los tornillos estén bien apretados antes de continuar con la instalación.

## 14. CONEXIÓN DEL CONDUCTO (DESCARGA VERTICAL ÚNICAMENTE)

1. Enchufe el cable de alimentación de la campana en la toma de corriente.
2. Deslice el conducto sobre el adaptador/compuerta en la campana.
3. Utilice cinta adhesiva metálica para sellar la junta.

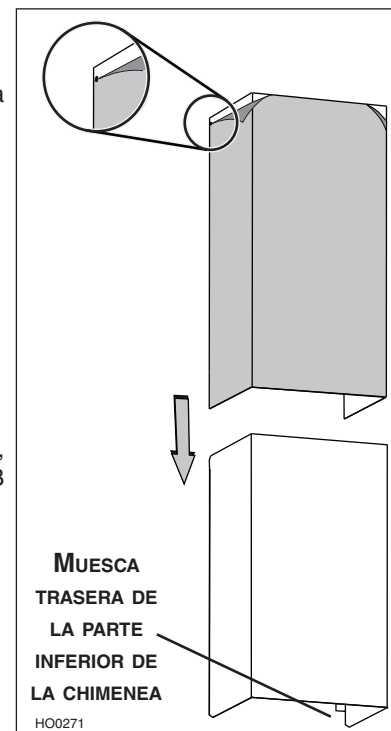
NOTA: Si se utiliza un cambio de sección a un conducto redondo de 7" o 8" (no incluido), se aconseja colocarlo a una distancia de 18" al menos del adaptador/compuerta.



## 15. PREPARE LA CHIMENEA DECORATIVA

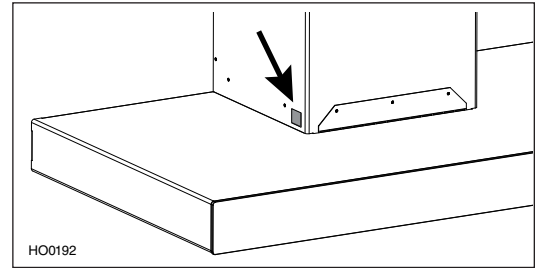
1. Retire la película protectora de plástico que cubre sólo la parte inferior de la chimenea.
2. Despegue las dos esquinas superiores de la película protectora en la parte superior de la chimenea.
3. Coloque las muescas traseras de la parte inferior de la chimenea hacia abajo.
4. Deslice con cuidado la parte superior de la chimenea dentro de la parte inferior (tenga en cuenta que la parte superior tiene un orificio en los lados izquierdo y derecho; vea la ilustración de la derecha).

Las partes inferior y superior de la chimenea vienen con la campana, pero para un techo de 10 pies, deseche la parte superior y utilice la prolongación opcional de la chimenea, n.º de pieza AEWCB3SB (acero inoxidable) o AEWCB3BLS (acero inoxidable negro) (se venden aparte).

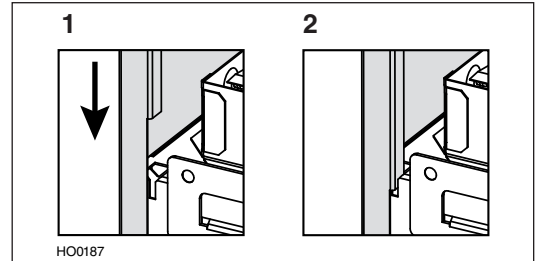


## 16. INSTALE LA CHIMENEA DECORATIVA

1. Para evitar que la campana decorativa se mueva, pegue los cuadrados de espuma provistos en ambos lados, cerca del borde delantero de la caja del ventilador (como se muestra a la derecha).



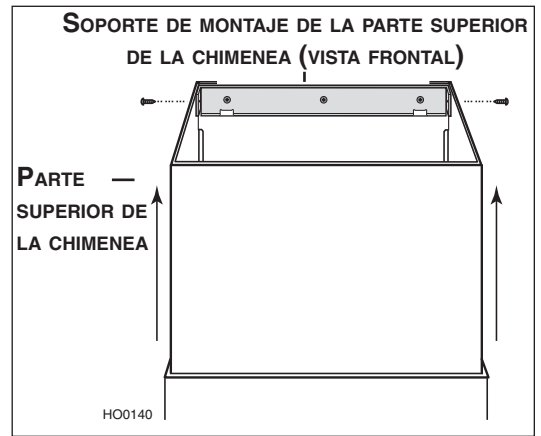
2. Coloque cuidadosamente en su lugar la parte inferior de la chimenea decorativa (primero el extremo con las muescas) en la parte superior de la campana (1) hasta que las muescas encajen completamente en las ranuras de la campana (2).



3. Deslice hacia arriba la parte superior de la chimenea hasta que quede alineada con el soporte de montaje. El soporte debe quedar dentro de la chimenea. Sujete la parte superior de la chimenea al soporte con 2 tornillos n.º 8 x 3/8" para el modelo en acero inoxidable o con 2 tornillos negro quadrex n.º 8 x 1/2" para el modelo en acero inoxidable negro (incluidos).

NOTA: no se muestra el conducto en la ilustración para facilitar la comprensión.

4. Retire la película protectora de plástico que cubre la parte superior de la chimenea.

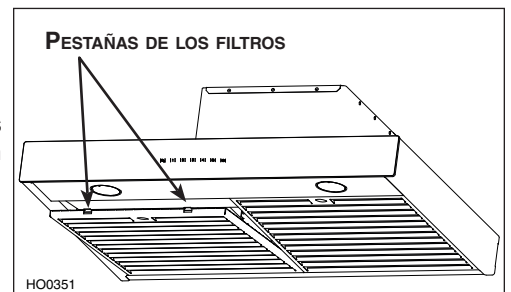


## 17. VUELVA A INSTALAR LOS FILTROS HÍBRIDOS

### PRECAUCIÓN

Quite la película protectora de plástico que cubre los filtros antes de volver a instalarlos.

Apoye el borde trasero de los filtros en los resortes de los filtros de la campana. Incline los filtros para colocarlos en su posición. Asegúrese de que las pestañas de los filtros estén bien encajadas en las ranuras del borde delantero de la campana tras la instalación.



## 18. ILUMINACIÓN LED

### ⚠ ADVERTENCIA

**No toque los módulos LED cuando estén encendidos o poco después de apagarlos. Podría quemarse. No es sustituible por ningún otro tipo de lámpara o de módulo LED.**

La luz de esta campana proviene de dos módulos LED (incluidos).

## 19. CUIDADO

### ⚠ ADVERTENCIA

**Antes del mantenimiento o de la limpieza del aparato, apague la alimentación en el tablero de servicio y bloquee el tablero para evitar que se conecte la corriente accidentalmente. Cuando no se puedan bloquear los medios de desconexión de servicio, coloque firmemente un dispositivo de aviso visible, como una etiqueta, en el tablero de servicio.**

#### FILTROS HÍBRIDOS

Los filtros híbridos deben limpiarse mensualmente. Retire los filtros empujándolos hacia la parte posterior de la campana y girándolos hacia abajo. Utilice una solución de detergente de lavavajillas caliente. Deje que los filtros sequen completamente antes de volver a instalarlos. Las placas de los filtros pueden lavarse en el lavavajillas. Limpie los filtros totalmente metálicos en el lavavajillas con un detergente sin fosfato. El filtro podría descolorarse si se utiliza un detergente con fosfato o debido al tipo de agua, pero esto no afecta su funcionamiento. Este descoloramiento no está cubierto por la garantía.

#### ACERO INOXIDABLE

##### **Debe hacerse :**

- Lavar regularmente con un paño limpio o un trapo empapado con agua tibia y jabón suave sin fosfato o detergente líquido para vajillas.
- Limpiar siempre en la dirección de las líneas originales de pulido del metal.
- Enjuagar siempre con agua limpia (2 o 3 veces) después de limpiar. Secar completamente.
- También puede utilizar un limpiador doméstico especial para acero inoxidable.

##### **No debe hacerse :**

- Utilizar un estropajo de acero o acero inoxidable u otro tipo de rasquetas para quitar la suciedad resistente.
- Utilizar limpiadores fuertes o abrasivos.
- Dejar que la suciedad se acumule.
- Dejar que el polvo del yeso u otros residuos de la construcción manchen la campana. Si efectúa obras de construcción o renovación, cubra la campana para que no se manche la superficie de acero inoxidable.

#### PANEL DE VIDRIO

Habitualmente sólo se necesita agua caliente y un jabón suave o un limpiador de cristales. Cuando se use jabón suave, enjuague con agua limpia. Seque con un paño limpio y suave para evitar marcas de agua.

#### **Al escoger un detergente, evite :**

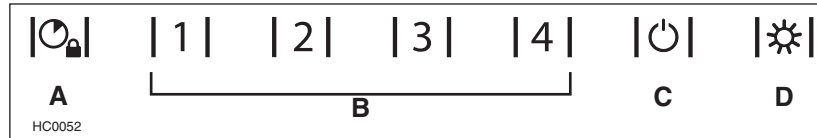
- Los limpiadores que contienen **blanqueador** (lejía), ya que dañarán el acero inoxidable.
- Los productos que contengan **cloruro**, **fluoruro**, **yoduro** y **bromuro**, ya que deterioran las superficies rápidamente.
- Los productos combustibles que se emplean para la limpieza, como **acetona**, **alcohol**, **éter**, **benzol**, etc., ya que son altamente explosivos y nunca deberían estar cerca de una cocina.

## 20. FUNCIONAMIENTO

Ponga en marcha siempre la campana antes de empezar a cocinar para crear una corriente de aire en la cocina. Deje que el ventilador funcione durante unos minutos para limpiar el aire una vez apagada la cocina.

### PRECAUCIÓN

**Después de una interrupción de la alimentación eléctrica o durante el encendido de la campana se produce una secuencia de arranque de 5 segundos. Espere a que la retroiluminación del control se apague antes de usar el aparato.**



#### **A. BOTÓN DE APAGADO DIFERIDO/BLOQUEO DE LOS CONTROLES (BOTÓN DE DOBLE FUNCIÓN):**

- Quando seleccione una velocidad del ventilador, presione este botón para activar la función de apagado diferido. El botón de apagado diferido se iluminará a su máxima intensidad y luego pasará a intensidad intermedia para indicar que esta función está activada; el botón de velocidad del ventilador seleccionado alternará cada 2 segundos entre su máxima intensidad y su intensidad intermedia. El ventilador seguirá funcionando 5 minutos y se detendrá automáticamente. Seleccionar otra velocidad mientras está activada la función de apagado diferido no desactivará la función ni restablecerá el temporizador. Para cancelar la función de apagado diferido, presione de nuevo el botón de apagado diferido, o presione el botón de velocidad seleccionado, lo cual hará que se apague el ventilador también.
- Quando el ventilador está apagado, es posible bloquear la interfaz de control con el fin de limpiar el panel de vidrio. Para bloquear la interfaz de control: Pulse y mantenga pulsado este botón durante 2 segundos. El botón se iluminará a su máxima intensidad, parpadeará tres veces y permanecerá en su intensidad intermedia para indicar que la interfaz de control está bloqueada. Para desbloquear la interfaz de control: Pulse y mantenga pulsado este botón durante 2 segundos. El botón se iluminará a su máxima intensidad, parpadeará tres veces y se atenuará hasta su intensidad más baja para indicar que la interfaz de control se ha desbloqueado.

#### **B. BOTONES DE SELECCIÓN DE VELOCIDAD:**

Pulse el botón correspondiente a la velocidad del ventilador deseada (de 1, para velocidad baja, a 4, para velocidad alta). El botón de velocidad seleccionado se iluminará a su máxima intensidad y luego se atenuará hasta su intensidad intermedia. Para apagar el ventilador, presione una vez más en el botón de velocidad del ventilador correspondiente; la luz del botón se atenuará hasta su intensidad más baja.

NOTA: Cuando el ventilador está apagado, al pulsar el botón de velocidad del ventilador 1, el ventilador se pondrá en marcha en la segunda velocidad brevemente y, a continuación, pasará a la velocidad 1.

NOTA: Para disminuir el corriente de aire máximo de 600 pi<sup>3</sup>/min a 300 pi<sup>3</sup>/min, seguir las instrucciones del kit CRT 300 pi<sup>3</sup>/min (incluido con el aparato, sobre n.º 23894, o ordenar la pieza SV23894).

#### **C. BOTÓN DE ENCENDIDO Y APAGADO GENERAL:**

Quando el ventilador y las luces están apagados, pulse este botón para encender la campana en la última velocidad y en la última intensidad de la luz memorizadas. Si no hay ningún nivel de velocidad ni de intensidad de la luz memorizadas, la velocidad del ventilador será la 1 y la intensidad de la luz será la 3. Pulse este botón una vez para apagar el ventilador y la luz simultáneamente.

**HEAT SENTRY™:** Esta campana viene equipada con un termostato Heat Sentry. Si el ventilador está encendido en una velocidad baja y se detecta un calor excesivo por encima de la superficie de cocción, el termostato hace pasar el ventilador a la tercera velocidad. Cuando la temperatura baja a la temperatura ambiente, el ventilador vuelve a su configuración original.

NOTA: Cuando el termostato Heat Sentry está activado, la función de apagado diferido se desactiva.

### ⚠ ADVERTENCIA

**El dispositivo Heat Sentry puede cambiar la velocidad del ventilador cuando detecta calor excesivo por encima de la superficie de cocción. Si se produce esta situación y debe detener el ventilador, presione el botón de la tercera velocidad o el botón de apagado y encendido general.**

#### **D. BOTÓN DE LA LUZ/COLOR DE LA RETROILUMINACIÓN (BOTÓN DE DOBLE FUNCIÓN):**

- Este botón permite tres niveles de iluminación diferentes según sus necesidades. Presione una vez para obtener la intensidad máxima, dos veces para la intensidad intermedia, y una vez más para la luz nocturna. Para apagar las luces, presione una vez más. Si lo desea, cuando las luces están encendidas, mantenga presionado el botón de la luz durante 1 segundo y las luces se apagarán.

NOTA: Cuando únicamente las luces estén encendidas en cualquier intensidad y no se detecte ninguna interacción con la campana durante un período de 10 segundos, los 7 botones de la retroiluminación se atenuarán hasta su intensidad más baja, actuando así como luz nocturna.

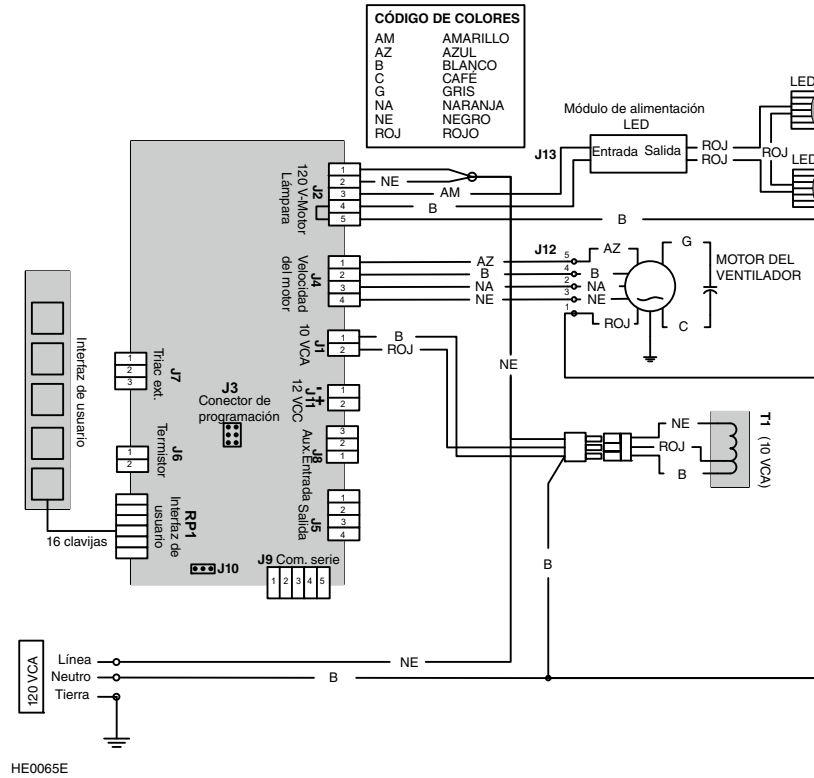
- Quando las luces están apagadas, mantenga presionado este botón durante 1 segundo para cambiar el color de la retroiluminación del blanco al azul o del azul al blanco (el color predeterminado de la retroiluminación es el blanco) y memorizarlo. El botón parpadeará tres veces para indicar que se ha realizado el cambio de color.

NOTA: Debido a la particular sensibilidad de la interfaz de control, mantenga limpio el panel de vidrio ya que la suciedad y la condensación pueden causar un funcionamiento anómalo del ventilador de la campana y/o de las luces. Si se produce esta situación, limpie el panel de vidrio y espere 90 segundos. A continuación, ajuste el ventilador y/o las luces a su gusto.

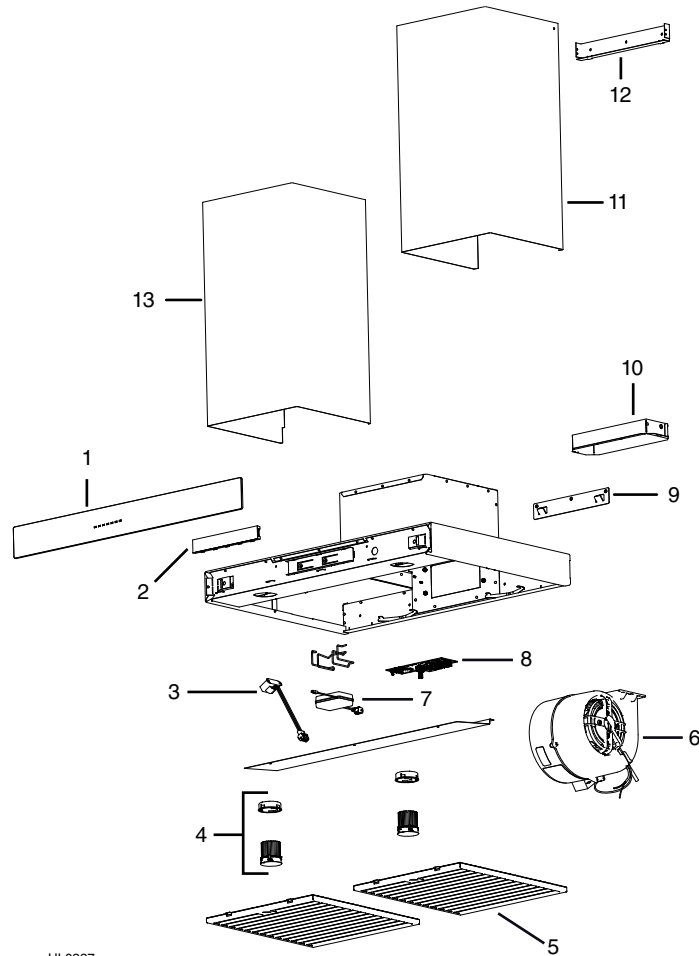
## 21. DIAGRAMA ELÉCTRICO

### ⚠ ADVERTENCIA

Riesgo de choque eléctrico. La conexión eléctrica debe hacerla personal competente con arreglo a los códigos y normas en vigor. Antes de conectar los hilos, corte la alimentación en el tablero de servicio y bloquee los medios de desconexión para impedir que la corriente se conecte accidentalmente.



## 22. PIEZAS DE RECAMBIO



HL0227

N.º	N.º PIEZA	DESCRIPCIÓN	CANT. (ANCHURA DE CAMPANA)	
			30"	36"
1	SV09955XX*	PANEL DE VIDRIO DE 30"	1	
	SV09956XX*	PANEL DE VIDRIO DE 36"		1
2	SV22427	CONTROL ELECTRONICO	1	1
3	SV09022	TRANSFORMADOR	1	1
4	62612	MÓDULO LED (1)	2	2
5	SV62053	FILTRO HÍBRIDO 15.875" x 14" x 0.5" (1)	2	2
6	SV08582	VENTILADOR INTERNO	1	1
7	62248	MÓDULO DE ALIMENTACIÓN LED Y MAZO DE CABLES DE CONEXIÓN	1	1
8	SV21189	UNIDAD DE ALIMENTACIÓN	1	1
9	SV09014	SOPORTE DE MONTAJE DE LA CAMPANA	1	1
10	SV13296	ADAPTADOR/COMPUERTA	1	1
11	SV19134	CONDUCTO DE LA CHIMENEA SUPERIOR, ACERO INOXIDABLE	1	1
	SV66418	CONDUCTO DE LA CHIMENEA SUPERIOR, ACERO INOXIDABLE NEGRO	1	1
12	SV19135	SOPORTE DE MONTAJE DEL CONDUCTO DE LA CHIMENEA SUPERIOR	1	1
13	SV19133	CONDUCTO DE LA CHIMENEA INFERIOR, ACERO INOXIDABLE	1	1
	SV66419	CONDUCTO DE LA CHIMENEA INFERIOR, ACERO INOXIDABLE NEGRO	1	1
**	SV23894	KIT CRT 300 PCM (OPCIONAL)	1	1
**	SV23865	MANUAL DE INSTALACIÓN	1	1
**	SV09027	BOLSA DE PIEZAS	1	1
**	SV05869	LOGOTIPO BEST	1	1

\*NÚMERO DE PIEZA SEGÚN EL COLOR DEL PANEL DE VIDRIO. PÓNGASE EN CONTACTO CON EL SERVICIO DE ATENCIÓN AL CLIENTE O CONSULTE EL SITIO WEB.

\*\*NO SE MUESTRA.

### REPUESTOS Y REPARACIONES

Para que el aparato esté en buenas condiciones, sólo debe utilizar repuestos Broan-NuTone genuinos. Los repuestos Broan-NuTone genuinos han sido diseñados especialmente para cada aparato, han sido fabricados de conformidad con todas las normas de certificación aplicables y ofrecen un alto nivel de seguridad. El uso de repuestos diferentes puede provocar daños graves y reducir drásticamente el nivel de rendimiento del aparato, lo cual podría causar una avería prematura. Broan-NuTone recomienda ponerse en contacto con un almacén de servicio certificado para todos los repuestos y reparaciones.

## 23. GARANTÍA

### Garantía limitada DE CINCO AÑOS PARA PRODUCTOS BEST®

**Periodo de garantía y exclusiones:** Broan-NuTone LLC (la «Compañía») garantiza al consumidor quien compra su producto («Usted») que el producto (el «Producto») será libre de defectos importantes de fabricación y de materiales por una duración de cinco (5) años a partir de la fecha de compra (o por una duración más larga si la ley aplicable lo exige) o un periodo de dos (2) años a partir de la fecha de prestación de un servicio sobre el Producto.

El periodo de garantía limitada para las piezas de repuesto proporcionadas por la Compañía y los Productos reparados o reemplazados bajo esta garantía limitada será el resto del periodo de garantía original (o un periodo más largo si la ley aplicable lo exige).

**ESTA GARANTÍA EXCLUYE LOS ARRANCADORES DE LÁMPARAS FLUORESCENTES, LOS TUBOS, LAS BOMBILLAS, LOS FUSIBLES, LOS FILTROS, LOS CONDUCTOS, LAS TAPAS PARA TECHO, LAS TAPAS PARA PARED Y LOS OTROS ACCESORIOS PARA CONDUCTOS.** También excluye: a) el mantenimiento normal, b) el uso y desgaste normales, c) los productos y las piezas que han sido objeto de un uso indebido, anormal o negligente, un maltrato, un accidente, un mantenimiento, almacenamiento o reparación inadecuados (excepto en caso de reparación por la Compañía), d) los daños causados por una instalación inadecuada, o por una instalación o un uso contrario a las recomendaciones o instrucciones, e) los daños causados por el contacto con el aire salino, f) los daños que ocurran durante el transporte, g) el desgaste normal del acabado, h) los Productos que son objeto de un uso comercial o no residencial, i) los daños causados por el fuego, una inundación u otro desastre natural o j) los Productos a los cuales se les haya alterado, desfigurado o removido el número de serie. Esta garantía solo cubre los Productos vendidos a consumidores de Norteamérica.

Esta garantía substituye todas las garantías anteriores y, sin perjuicio de la ley aplicable, no se puede transferir por el comprador original.

**Ninguna otra garantía:** Esta garantía limitada enuncia la única obligación de la Compañía y el único recurso que tiene Usted en cuanto a los Productos defectuosos. Las garantías enunciadas arriba son exclusivas y se anteponen a todas las otras garantías y condiciones, ya sean expresas o implícitas. **EN LA MEDIDA MÁXIMA EN QUE LO PERMITA LA LEY APLICABLE, LA COMPAÑÍA RENUNCIA A TODAS LAS OTRAS GARANTÍAS Y CONDICIONES EXPRESAS O IMPLÍCITAS POR LA LEY Y LAS EXCLUYE, INCLUYENDO, ENTRE OTRAS, LAS GARANTÍAS DE COMERCIALIZACIÓN Y LAS DE IDONEIDAD PARA UN PROPÓSITO PARTICULAR.** En la medida en que la ley aplicable prohíba la exclusión de las garantías o condiciones implícitas, la duración de cualquier garantía o condición implícita aplicable se limita al periodo indicado para la garantía expresa mencionada arriba. Ciertas jurisdicciones (incluyendo a veces la provincia de Quebec o ciertos estados de los Estados Unidos) prohíben la restricción de la duración de las garantías implícitas, así que la restricción mencionada arriba podría no aplicarse a Usted. Las descripciones orales o escritas del Producto tienen como único propósito identificar al Producto y no se deben interpretar como una garantía expresa.

Cuando sea posible, cada disposición de esta garantía limitada se debe interpretar de manera que tenga plena validez y efectos legales bajo la ley aplicable, pero en el caso de que se declare prohibida o nula una disposición, ésta será nula solo en la medida en que lo prevea esta prohibición o nulidad, sin efecto para los otros elementos de esta disposición o las otras disposiciones de esta garantía limitada.

**Recurso:** Durante el periodo de garantía limitada aplicable, la Compañía, según su criterio, proporcionará piezas de repuesto o servicios de reparación o reemplazo sin cargo alguno para cualquier Producto o pieza de Producto, en la medida en que la Compañía constata a) que esta garantía cubre este Producto o esta pieza bajo un uso y mantenimiento normales y b) que la garantía queda incumplida. La Compañía le enviará el Producto reparado, el producto de reemplazo o las piezas de repuesto sin cargo alguno. Usted tendrá que pagar todos los costos de desinstalación, reinstalación y envío así como los otros cargos de transporte relacionados con el envío del Producto o la pieza a la Compañía. Si Usted debe enviar el Producto o la pieza a la Compañía, conforme a las instrucciones de la misma, Usted tendrá que empaquetar el Producto o la pieza correctamente; la Compañía no es responsable de los daños que ocurran durante el transporte. La Compañía se reserva el derecho de utilizar Productos o piezas reacondicionados, renovados, reparados o remanufacturados para la reparación o el reemplazo bajo esta garantía. Estos Productos y piezas serán comparables en cuanto a la función y el rendimiento con el Producto o la pieza original y serán garantizados por la duración restante del periodo de garantía original (o por una duración más larga si la ley aplicable lo exige). La Compañía se reserva el derecho, según su exclusivo criterio, de reembolsar el monto que Usted haya realmente pagado por el Producto. Si el Producto o la pieza ya no está disponible, la Compañía puede, según su exclusivo criterio, reemplazarlo con un producto similar de valor igual o superior. Esto constituye su único y exclusivo recurso en caso de incumplimiento de esta garantía limitada.

**Exclusión de los daños: LA OBLIGACIÓN DE LA COMPAÑÍA DE PROPORCIONAR PIEZAS DE REPUESTO O DE REPARAR O REEMPLAZAR EL PRODUCTO, SEGÚN SU CRITERIO, ES EL ÚNICO Y EXCLUSIVO RECURSO QUE TIENE USTED BAJO ESTA GARANTÍA LIMITADA Y LA ÚNICA OBLIGACIÓN DE LA COMPAÑÍA. ÉSTA NO SERÁ RESPONSABLE DE LOS DAÑOS INCIDENTALES, INDIRECTOS, CONSECUENTES O ESPECIALES CAUSADOS DIRECTAMENTE O INDIRECTAMENTE POR EL PRODUCTO, SU USO O SU RENDIMIENTO.**

Puesto que ciertas jurisdicciones prohíben la exclusión o restricción de los daños incidentales o consecuentes, la exclusión o restricción mencionada arriba podría no aplicarse a Usted. Esta garantía le otorga derechos legales específicos, y Usted también podría tener otros derechos, los cuales pueden ser diferentes según la jurisdicción. Las renunciaciones, exclusiones y restricciones de responsabilidad bajo esta garantía no se aplican en la medida en que lo prohíba la ley aplicable. Esta garantía solo cubre el reemplazo o la reparación de las piezas o los Productos defectuosos al sitio de negocio principal de la Compañía; los gastos de viaje y estancia relacionados con los servicios de campo están excluidos. Cualquier asistencia proporcionada u obtenida para Usted por la Compañía y que no está cubierta por las condiciones, restricciones o exclusiones de esta garantía limitada no constituye una renuncia a estas condiciones, restricciones y exclusiones, y la prestación de dicha asistencia no prolongará o restablecerá la garantía.

La Compañía no le reembolsará los gastos que Usted haya hecho por la reparación o el reemplazo de un Producto defectuoso, excepto si Usted ha previamente recibido el permiso escrito de la Compañía por ellos.

**Cómo obtener el servicio de garantía:** Para tener derecho al servicio de garantía, Usted debe a) informar la Compañía a la dirección o al número de teléfono escrito aquí abajo dentro de siete (7) días después de que haya descubierto el defecto cubierto, b) dar el número de serie y los datos de identificación de la pieza y c) describir la naturaleza de cualquier defecto del Producto o de la pieza. Cuando solicite el servicio de garantía, Usted tiene que presentar una prueba de la fecha de compra original. Si no puede proporcionar una copia de la versión escrita original de la garantía limitada, las condiciones de la versión más reciente de la garantía limitada de la Compañía para su producto se aplicarán.

### ESPECIFICACIONES DEL PRODUCTO

Todas las ilustraciones y las especificaciones en este catálogo están establecidas según la información que era la más reciente en el momento en cual fue producido. Broan-NuTone LLC y BEST® se reservan el derecho de cambiar, en cualquier momento y sin previo aviso, los precios, colores, materiales, productos, especificaciones y modelos y el lugar de fabricación, así como de parar la producción de un modelo o producto.

Best

Broan-NuTone, LLC: 926 W. State Street, Hartford, WI 53207 1 800 637-1453

Best®, 550, boul. Lemire, Drummondville (Québec), Canada (1 866 737-7770) [www.bestrangehoods.com](http://www.bestrangehoods.com)