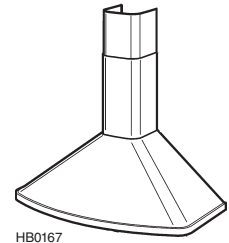


# AMIATA K3139 SERIES RANGE HOODS



HB0167

Traditional Italian style and a soft-radius design beautifully merge to create a hand-rolled masterpiece.

### FEATURES

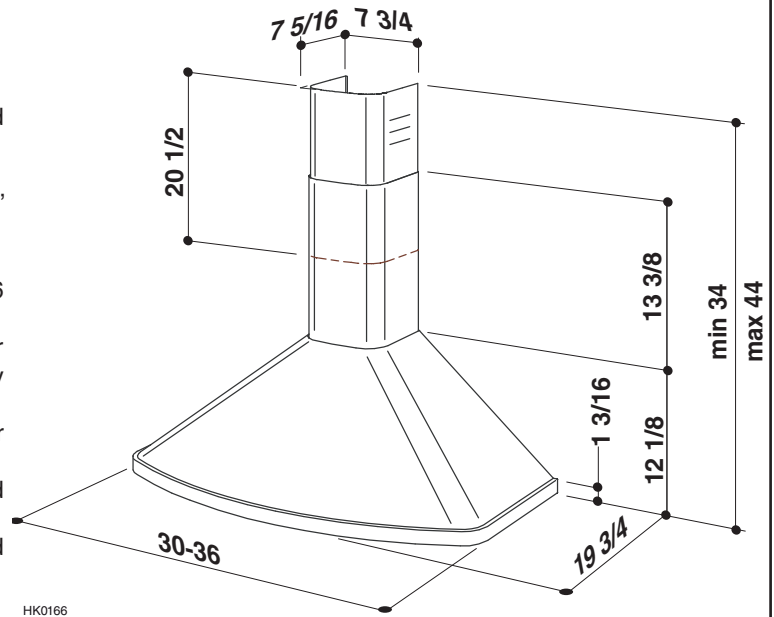
- Italian design
- Wall mount
- Finishes: 430 Stainless Steel #4 Brushed, Black (30" hood only)
- Widths: 30", 36"
- Ducted/non-ducted telescopic flue accommodates 8' to 9' ceilings
- 6" round duct connector/backdraft damper
- Halogen lighting (2 bulbs included. Type GU10, MR16 shielded, 120 volt, 50 watts max.)
- Multispeed push-button controls feature an "On" indicator
- Quiet, variable-speed centrifugal blower with high-efficiency motor produces 400 CFM of exhaust
- Can be ducted to the outside or non-ducted for indoor recirculation (purchase recirculation kit separately)
- Dishwasher-safe filter features a quick-release latch and decorative cover plate
- Heat Sentry™ - automatically turns blower to high speed when excess cooking heat is detected
- For indoor use only

### OPTIONS

- Backsplash available (Contact Best Technical Support)
- Non-ducted recirculation kit (Model NDK3139)
- Replacement charcoal filters available (Model FILTEREB40)
- Flue extension for 10' ceiling (for ducted applications) (35" long) (Model FEXTK3139 in Stainless Steel, Black)

### SPECIFICATIONS

| VOLTS | AMPS | CFM | SONES | DUCT     |
|-------|------|-----|-------|----------|
| 120   | 3.03 | 400 | 6.0   | 6" round |



HK0166

Mount range hood so bottom of hood is 24" minimum above cooking surface.

NOTE: DIMENSIONS SHOWN ARE IN INCHES

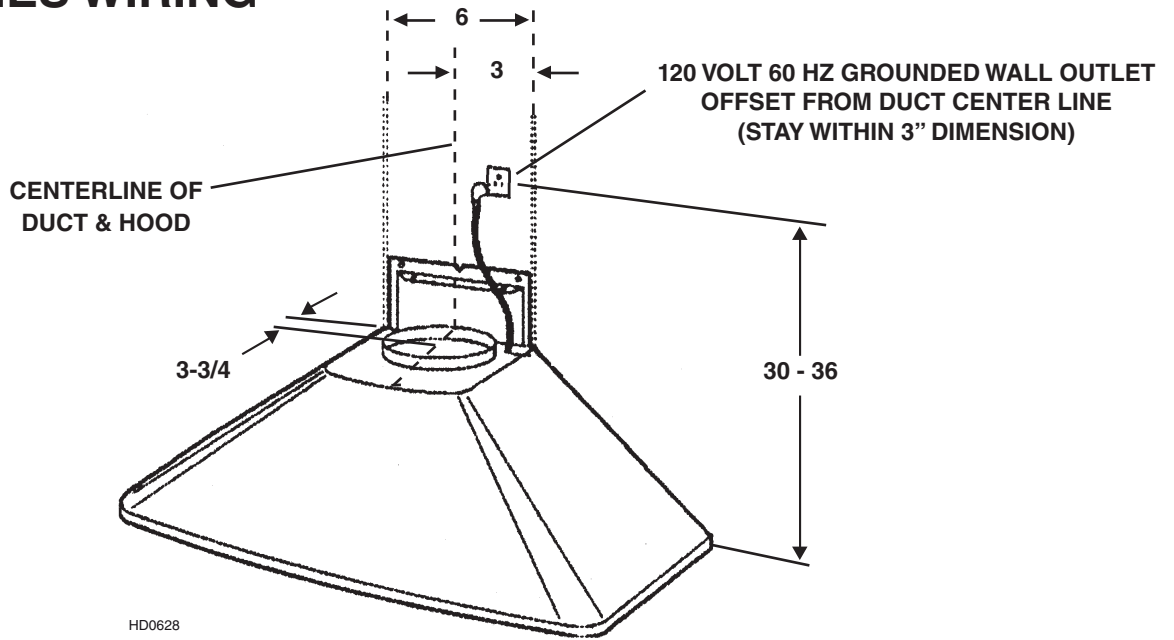


HVI-2100 CERTIFIED RATINGS comply with new testing technologies and procedures prescribed by the Home Ventilating Institute, for off-the-shelf products, as they are available to consumers. Product performance is rated at 0.1 in. static pressure, based on tests conducted in a state-of-the-art test laboratory. Sones are a measure of humanly-perceived loudness, based on laboratory measurements.

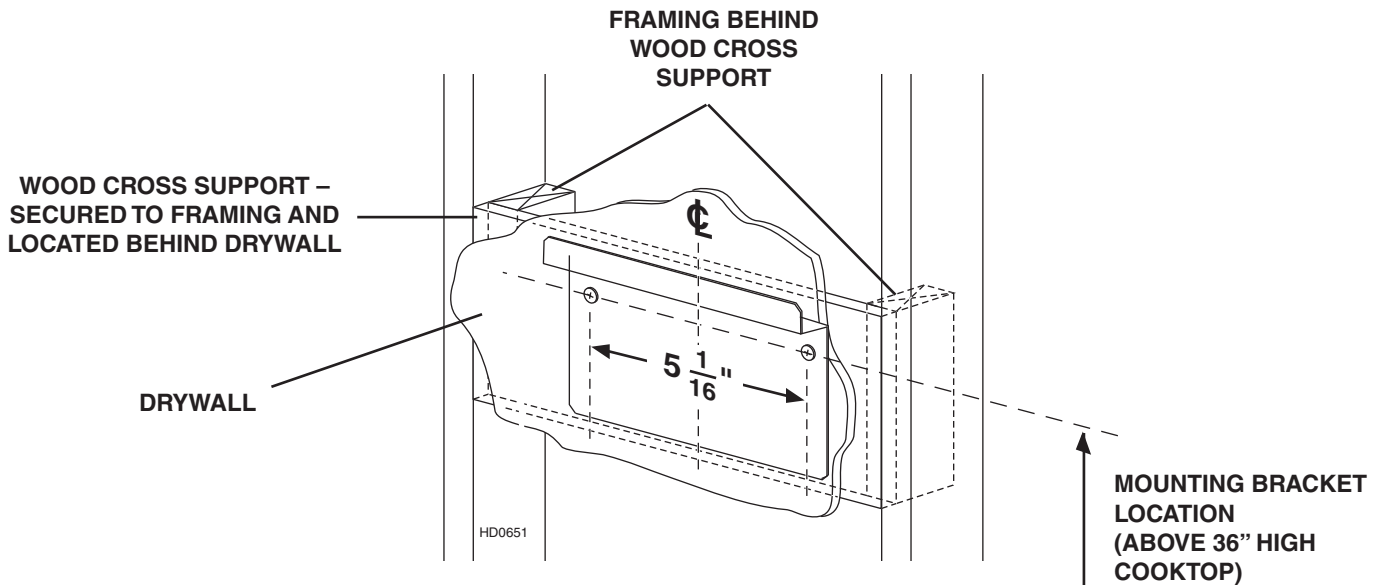
BEST Drummondville, QC, Canada [www.BestRangeHoods.ca](http://www.BestRangeHoods.ca) 866-737-7770

| REFERENCE | QTY. | REMARKS | Project  |
|-----------|------|---------|--|
|           |      |         | Location   |
|           |      |         | Architect  |
|           |      |         | Engineer   |
|           |      |         | Contractor   |
|           |      |         | Submitted by <span style="float: right;">Date</span> |

# K3139 SERIES WIRING



# K3139 SERIES MOUNTING



| CEILING<br>HEIGHT | DUCT<br>METHOD           | MOUNTING DISTANCE ABOVE 36" HIGH COOKTOP (SEE NOTE BELOW) |         |         |         |         |         |         |
|-------------------|--------------------------|---|---------|---------|---------|---------|---------|---------|
|                   |                          | 24"   | 25"     | 26"     | 27"     | 28"     | 29"     | 30"     |
| 8 FEET            | DUCTED OR<br>NONDUCTED   | 37-7/8"   | 38-7/8" | 39-7/8" |         |         |         |         |
| 9 FEET            | DUCTED OR<br>NONDUCTED   |   |         |         |         | 41-7/8" | 42-7/8" | 43-7/8" |
| 10 FEET           | DUCTED WITH<br>FEXTK3139 |   |         | 39-7/8" | 40-7/8" | 41-7/8" | 42-7/8" | 43-7/8" |

**NOTE:** Minimum hood distance above cooktop must not be less than 24".  
A maximum of 30" above the cooktop is highly recommended for best capture of cooking impurities.  
Distances over 30" are at the installer and users' discretion; and if ceiling height and flue length permit.

