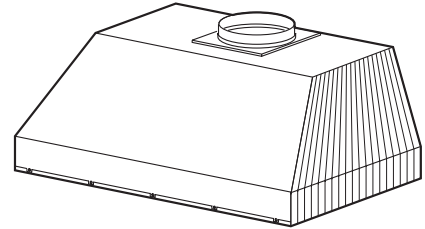


CP47E SERIES RANGE HOODS



Specially designed to be installed in a custom hood and used over residential, commercial-style cooking surfaces.

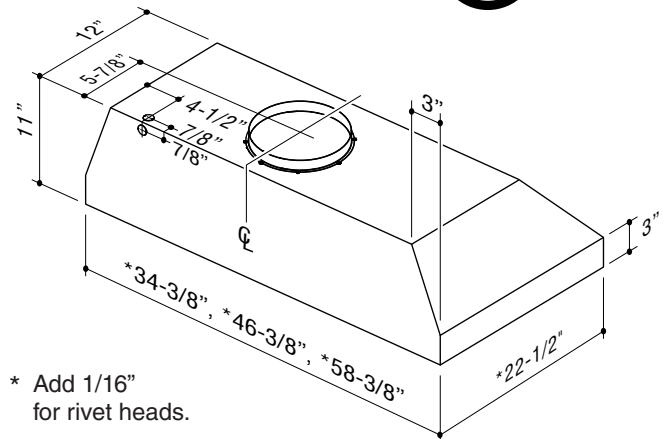
A complete installation requires several optional components. Refer to page 2 when planning your installation.

FEATURES

- Cabinet mount - custom applications
- Finish: 430 Stainless Steel #4 Brushed
- Widths: 34-3/8", 46-3/8", 58-3/8"
- Depth: 22-1/2"
- Backdraft damper
- Four-setting cooktop lighting (Uses 50W, GU10 halogen lamps. Bulbs included. 2 lamps on 34-3/8" wide hood, 4 lamps on 46-3/8" and 58-3/8" wide hoods.)
- Easily accessible, dishwasher safe stainless steel Evolution™ baffle filters with handles
- 4-speed electronic blower control with LinkLogic® enabled technology
- Delay timer control automatically shuts off range hood after 10 minutes
- Heat Sentry™ - automatically turns blower to high speed when excess cooking heat is detected
- Use with exterior-mounted or attic-installed remote blowers for different levels of exhaust capacity (see specifications)
- Special control indicates when it's time to clean the filter

SPECIFICATIONS

WITH OPTIONAL BLOWER MODELS		BLOWER CFM	VOLTS	AMPS	DUCT
EB6	wall or roof mount remote blowers	600 max.	120	1.67 max. (lights only) + 6.0 max. (blower only)	10-in. round at the hood See blower specs for duct requirements.
EB9		900 max.			
EB12		1200 max.			
EB15		1500 max.			
ILB3	attic installed inline blowers	280 max.	120	1.67 max. (lights only) + 6.0 max. (blower only)	10-in. round at the hood See blower specs for duct requirements.
ILB6		600 max.			
ILB9		800 max.			
ILB11		1100 max.			



Best Hartford, Wisconsin www.BestRangeHoods.com 800-558-1711
 Best Mississauga, Ontario www.BestRangeHoods.com 877-896-1119

REFERENCE	QTY.	REMARKS	Project
			Location
			Architect
			Engineer
			Contractor
			Submitted by Date

CP47E SERIES HOOD SYSTEM

