

CLASSIC SERIES T208CW

FEATURES

Heavy-duty construction

Large-capacity stainless steel drum

Butterfly™ drying system

Soft Drum™ technology

LCD display

Quiet operation—65 dB(A)

Auto program

Remaining time and program end indicator

Stacked or side by side installation

Stack kit included

HIDDEN HELPERS™ ACCESSORIES

Retractable ironing board system

Single and double retractable shelves

Pull-out utility basket

Platform

Accessories available through an authorized Asko dealer. For local dealer information, visit the where to buy section of our website, askona.com.



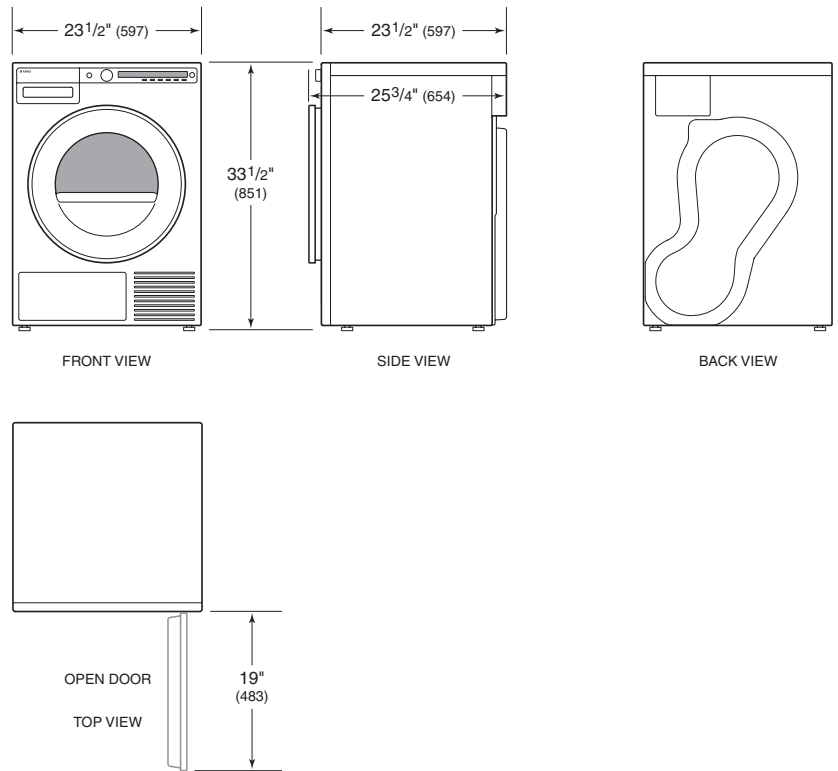
PROGRAMS

- Auto Extra Dry
- Auto Dry
- Auto Normal Dry
- Auto Iron Dry
- Synthetic
- Bedding
- Quick Pro
- Time
- Airing

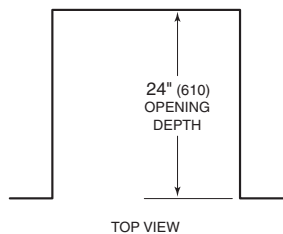
PRODUCT SPECIFICATIONS

White	T208CW
Dimensions	23 1/2"W x 33 1/2"H x 23 1/2"D
Door Clearance	19"
Door Swing	Right-Hinge
Weight	97 lb
Drum Capacity	4.1 cu ft
Electrical Supply	240/208 VAC, 60 Hz
Electrical Service	30 amp circuit
Receptacle	NEMA 14-30R grounding-type
Power Cord	4'

DIMENSIONS



INSTALLATION

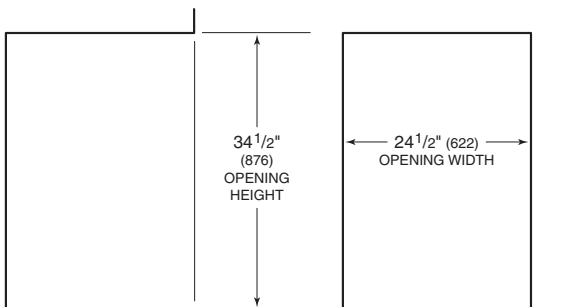


TOP VIEW

INSTALLATION WITH WASHER

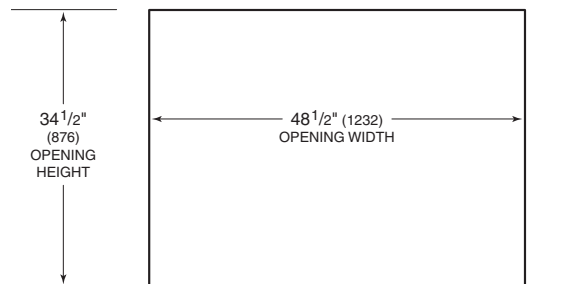


TOP VIEW



SIDE VIEW

FRONT VIEW



FRONT VIEW

NOTE: Dimensions provide minimum reveals.