



## Amana® 30-inch Amana® Top-Freezer Refrigerator with Glass Shelves

ART318FFDW

### Available Finishes/Colours

ART318FFDS  
Stainless Steel

ART318FFDW  
White

This 18 Cu. Ft. Capacity, 30-inch Amana® Refrigerator gives you the flexibility to store all your favorites, including tall and oversized items, with Flip-Up Storage, a Dairy Bin, Gallon Door Storage Bins and Humidity-Controlled Garden Fresh™ Crispers. Plus, Glass Shelves are designed to help make cleanup easy, so there's no need to cry over spilled milk.


### Top Features

**Humidity-Controlled Garden Fresh™ Crispers**

**Flip-up Storage**

**Dairy Bin**

### Manuals & Literature:

-  [Dimension Guide](#)
-  [Energy Guide](#)
-  [Installation Guide](#)
-  [Owner Manual](#)
-  [Warranty Information](#)

Dimensions		Exterior	
Depth	31.38	Handle Color	White
Height	65.88	Handle Material	Plastic
Width	29.75	Handle Type	Pocket Handle

Controls		Exterior	
Control Location	Interior	Cabinet Color	White
Control Type	Electronic	Cabinet Finish	Smooth
Control Lockout	N/A	Door Finish	Smooth
		Door Opening	Right Swing
		Door Style	Flat

Specifications		Exterior	
Country Of Origin	Mexico	Hidden Hinge	No
Optional Accessories	W11510803	Number Of Doors	2
Extended Service Plan Parent	EW05IW1Y	Reversible Door	Yes

Specifications		AHAM Volumes And Shelf Area	
Product To Product Pairs	AGR6603SFW	Freezer Volume Cu Ft	5.09
Fingerprint Resistant	No	Refrigerator Volume Cu Ft	13.06

# Amana® Top Mount Refrigerator

## PRODUCT MODEL NUMBERS

ART308FFD ART318FFD  
ART348FFF

**Electrical:** A 115-volt, 60-Hz, AC-only, 15- or 20-amp fused, grounded electrical supply is required. It is recommended that a separate circuit serving only your refrigerator be provided. Use an outlet that cannot be turned off by a switch. Do not use an extension cord.

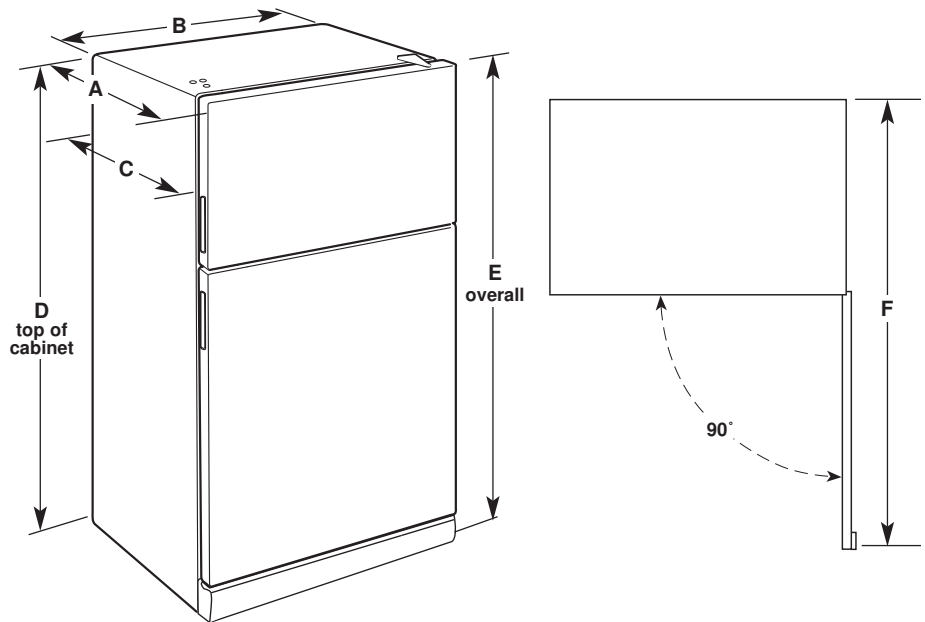
**NOTE:** Before performing any type of installation, cleaning, or removing a light bulb, turn the control (Thermostat, Refrigerator or Freezer Control depending on the model) to OFF and then disconnect the refrigerator from the electrical source. When you are finished, reconnect the refrigerator to the electrical source and reset the control (Thermostat, Refrigerator or Freezer Control depending on the model) to the desired setting. See "Using the Controls."

**Water:** A cold water supply with water pressure between 30 and 120 psi (207 and 827 kPa) is required to operate ice maker and water dispenser. If you have questions about your water pressure, call a licensed, qualified plumber.

**IMPORTANT:** The pressure of the water coming out of a reverse osmosis system going to the water inlet valve of the refrigerator needs to be between 30 and 120 psi (207 and 827 kPa).

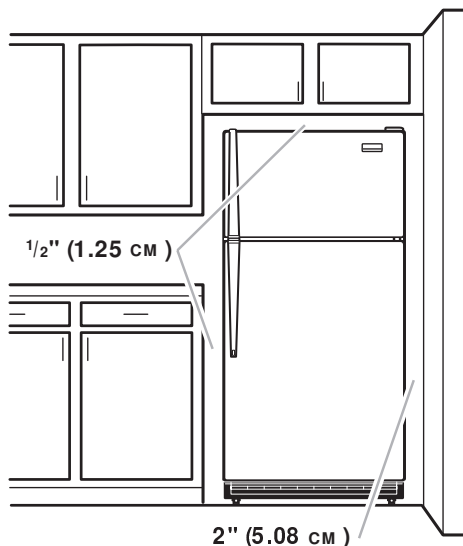
**Reverse Osmosis Water Supply:** If a reverse osmosis water filtration system is connected to your cold water supply, the water pressure to the reverse osmosis system needs to be a minimum of 40 to 60 psi (276 to 414 kPa).

## PRODUCT DIMENSIONS



Model Size	Reversible Door	Depth - With Door "A"	Cab. Width "B"	Depth - Cabinet Only "C"	Cab. Height "D"	Overall Height "E"	Depth Door Open 90° "F"
18.2 cu. ft.	Yes	31 <sup>3</sup> / <sub>8</sub> " (79.7 cm)	29 <sup>3</sup> / <sub>8</sub> " (75.6 cm)	28 <sup>7</sup> / <sub>8</sub> " (73.3 cm)	65 <sup>3</sup> / <sub>8</sub> " (166.1 cm)	65 <sup>7</sup> / <sub>8</sub> " (167.3 cm)	59 <sup>3</sup> / <sub>8</sub> " (151.8 cm)

## LOCATION REQUIREMENTS



To ensure proper ventilation for your refrigerator, allow for a 1/2" (1.25 cm) space on each and between overhead cabinets and refrigerator top. Allow at least 1" (2.5 cm) between back of cabinet and the wall. If your refrigerator has an ice maker, make sure you leave some extra space at the back for the water line connections.

If you are installing your refrigerator next to a fixed wall, leave 2" (5 cm) minimum on the hinge side (depending on your model) to allow for the door to swing open.

**NOTE:** This refrigerator is intended for use in a location where the temperature ranges from a minimum of 55°F (13°C) to a maximum of 110°F (43°C). The preferred room temperature range for optimum performance, which reduces electricity usage and provides superior cooling, is between 60°F (15°C) and 90°F (32°C). It is recommended that you do not install the refrigerator near a heat source, such as an oven or radiator.