



## Amana® 28-inch Top-Freezer Refrigerator with Dairy Bin

ART104TFDW

### Available Finishes/Colours

ART104TFDW  
White

Dimensions		Electrical	
Depth	30.0	Amps	15
Height	62.88		
Width	28.0	Exterior	
		Handle Color	White
		Handle Material	Plastic
		Handle Type	Pocket Handle
		Cabinet Color	White
		Cabinet Finish	Textured
		Door Finish	Textured
		Door Opening	Right Swing
		Door Style	Flat
		Hidden Hinge	No
		Number Of Doors	2
		Reversible Door	Yes
AHAM Volumes And Shelf Area			
		Freezer Volume Cu Ft	3.87

Controls	
Control Location	Interior
Control Type	Manual
Control Lockout	N/A

Specifications	
Country Of Origin	Mexico
Optional Accessories	W11510803
Extended Service Plan Parent	EW04IW2Y
Product To Product Pairs	AGR6603SFW
Fingerprint Resistant	No

This 14 Cu. Ft. Capacity, 28-inch Amana® Refrigerator is available with an Optional Automatic Icemaker Kit so you can forget the ice trays. A Dairy Bin and Full-Width Crisper Drawer make sure favorites are always ready to grab. And the Up-Front Temperature Control System lets you change temps without having to reach over food at the back of the fridge.

### Top Features

**Optional Automatic Icemaker Kit**

**Dairy Bin**

**Full-Width Crisper Drawer**

### Manuals & Literature:

-  [Dimension Guide](#)
-  [Energy Guide](#)
-  [Installation Guide](#)
-  [Owner Manual](#)
-  [Warranty Information](#)

# Amana® Top Mount Refrigerator

## PRODUCT MODEL NUMBERS

ART104TFD  
ART106TFD  
ART316TFD

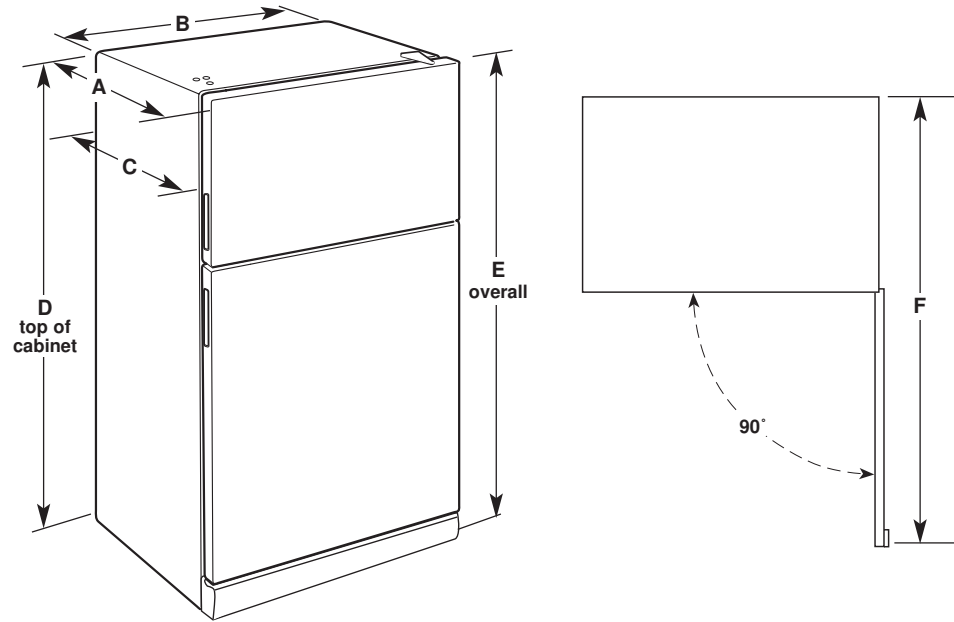
**Electrical:** A 115-volt, 60-Hz, AC-only, 15- or 20-amp fused, grounded electrical supply is required. It is recommended that a separate circuit serving only your refrigerator be provided. Use an outlet that cannot be turned off by a switch. Do not use an extension cord.

**Water:** A cold water supply with water pressure between 30 and 120 psi (207 and 827 kPa) is required to operate ice maker and water dispenser. If you have questions about your water pressure, call a licensed, qualified plumber.

**IMPORTANT:** The pressure of the water coming out of a reverse osmosis system going to the water inlet valve of the refrigerator needs to be between 30 and 120 psi (207 and 827 kPa).

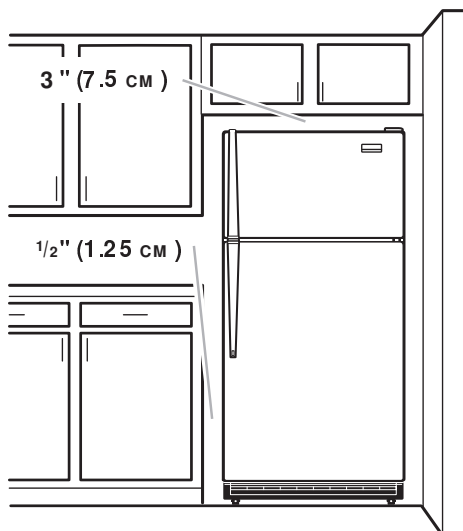
**Reverse Osmosis Water Supply:** If a reverse osmosis water filtration system is connected to your cold water supply, the water pressure to the reverse osmosis system needs to be a minimum of 40 to 60 psi (276 to 414 kPa).

## PRODUCT DIMENSIONS



Model Number	Model Size	Reversible Door	Depth - With Door "A"	Cab. Width "B"	Depth - Cabinet Only "C"	Cab. Height "D"	Overall Height "E"	Depth Door Open 90° "F"
ART104TFD	14.3 cu. ft.	Yes	30" (76.2 cm)	28" (71.1 cm)	25 1/2" (64 cm)	62 3/4" (158.4 cm)	62 7/8" (159.7 cm)	56 3/4" (144.1 cm)
ART106TFD ART316TFD	16 cu. ft.	Yes	31 1/2" (79.4 cm)	28" (71.1 cm)	25 1/2" (64 cm)	65 3/4" (166 cm)	65 7/8" (167.3 cm)	56 3/4" (144.1 cm)

## LOCATION REQUIREMENTS



To ensure proper ventilation for your refrigerator, allow for a 1/2" (1.25 cm) space on each side. Allow 3" (7.5 cm) of space between overhead cabinets and refrigerator top. Allow at least 1" (25.40 mm) between back of cabinet and the wall. If your refrigerator has an ice maker, make sure you leave some extra space at the back for the water line connections.

If you are installing your refrigerator next to a fixed wall, leave enough space on the hinge side to allow for the door to swing open.

**NOTE:** This refrigerator is intended for use in a location where the temperature ranges from a minimum of 55°F (13°C) to a maximum of 110°F (43°C). The preferred room temperature range for optimum performance, which reduces electricity usage and provides superior cooling, is between 60°F (15°C) and 90°F (32°C). It is recommended that you do not install the refrigerator near a heat source, such as an oven or radiator.