



## Amana® 29-inch Wide Bottom-Freezer Refrigerator with EasyFreezer™ Pull-Out Drawer -- 18 cu. ft. Capacity

ABB1924BRM

### Available Finishes/Colours

ABB1924BRW  
White

ABB1924BRM  
Stainless Steel

ABB1924BRB  
Black

This 29-inch Wide Amana® Bottom-Freezer Refrigerator features an EasyFreezer™ Pull-Out Drawer that opens and closes smoothly, even when fully loaded. Store meats and cheeses in the Deli Drawer to make your favorite go-to sandwich. And you'll know where all your frozen treats are at a glance with our Glide-Out Lower Freezer Basket and Quick Split™ Organizer.

### Top Features

**Humidity-Controlled Garden Fresh™ Crisper Bins**

**Gallon Door Storage**

**EasyFreezer™ Pull-Out Drawer**

### Manuals & Literature:

-  [Dimension Guide](#)
-  [Energy Guide](#)
-  [Installation Guide](#)
-  [Owner Manual](#)
-  [Warranty Information](#)

Dimensions		Specifications	
Depth	33.38	Fingerprint Resistant	No
Height	66.94	<b>Electrical</b>	
Width	29.63	Amps	15
Controls		Volts	120
Control Location	Interior Up Front	<b>Exterior</b>	
Control Type	Electronic	Handle Color	Stainless Steel
Control Lockout	No	Handle Material	Metal
Door Ajar Open Alarm	No	Handle Type	Reach Through Handle
Max Cool Fast Cool	No	Base Grille Color	Grey
Water Filter Indicator Reset	No	Cabinet Color	Grey
Specifications		Cabinet Finish	Textured
Country Of Origin	USA	Door Finish	Smooth
Optional Accessories	W11459724	Door Opening	Right Swing
Extended Service Plan Parent	EW06IW1Y	Door Style	Flat
		Hidden Hinge	No
		Number Of Doors	2

# Amana® Bottom Mount Refrigerator

## PRODUCT MODEL NUMBERS

ABB1924BR      ABB2224BR

**Electrical:** A 115-volt, 60-Hz, AC-only, 15- or 20-amp fused, grounded electrical supply is required. It is recommended that a separate circuit serving only your refrigerator be provided. Use an outlet that cannot be turned off by a switch. Do not use an extension cord.

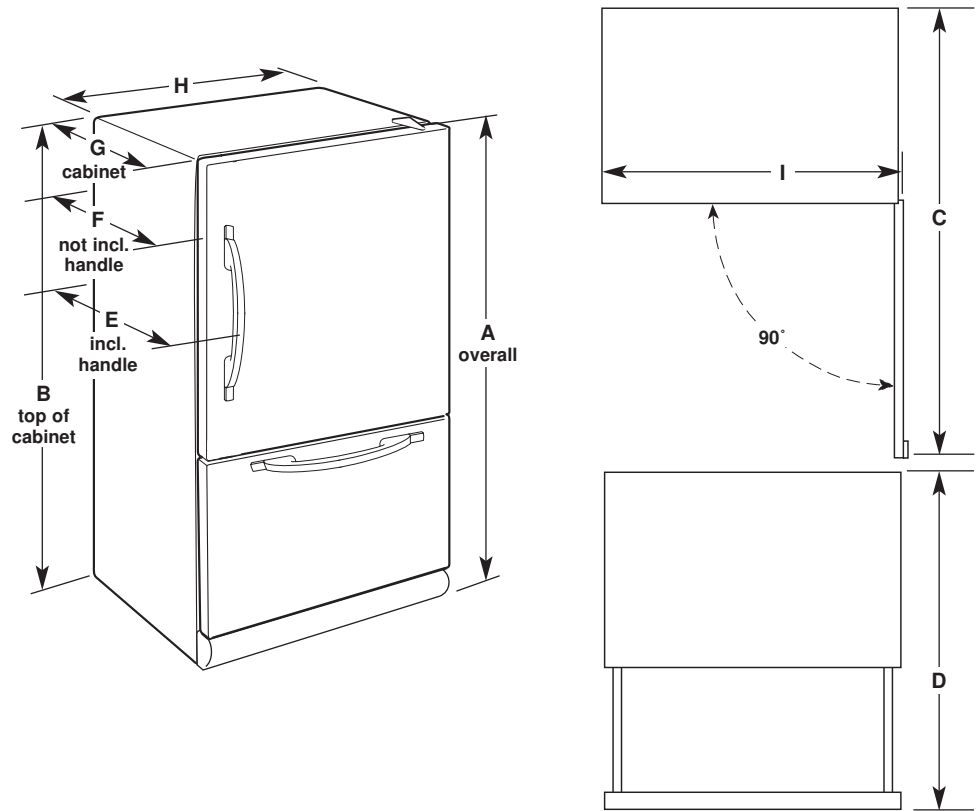
**NOTE:** Before performing any type of installation, cleaning, or removing a light bulb, turn the control (Thermostat, Refrigerator or Freezer Control depending on the model) to OFF and then disconnect the refrigerator from the electrical source. When you are finished, reconnect the refrigerator to the electrical source and reset the control (Thermostat, Refrigerator or Freezer Control depending on the model) to the desired setting. See "Using the Controls."

**Water:** A cold water supply with water pressure between 35 and 120 psi (241 and 827 kPa) is required to operate ice maker and water dispenser. If you have questions about your water pressure, call a licensed, qualified plumber.

**IMPORTANT:** The pressure of the water coming out of a reverse osmosis system going to the water inlet valve of the refrigerator needs to be between 35 and 120 psi (241 and 827 kPa).

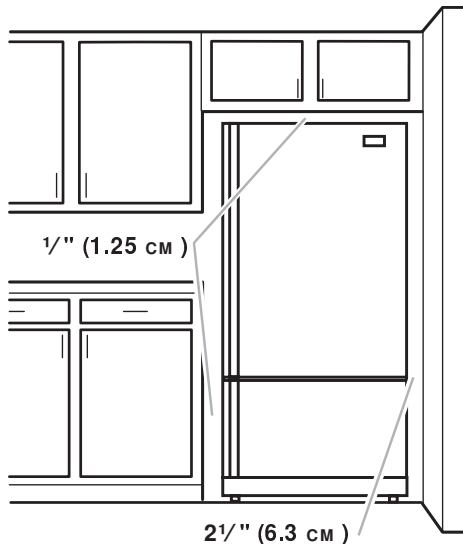
**Reverse Osmosis Water Supply:** If a reverse osmosis water filtration system is connected to your cold water supply, the water pressure to the reverse osmosis system needs to be a minimum of 40 to 60 psi (276 to 414 kPa).

## PRODUCT DIMENSIONS



Model Number	Model Size	Height - Overall "A"	Height - Top of Cabinet "B"	Depth - Doors Open 90° "C"	Depth - Drawer Open "D"	Depth - With Handles "E"	Depth - Without Handles "F"	Depth - Cabinet Only "G"	Width - Cabinet "H"	Width - Door Open 90° "I"
ABB1924BR	18.5 cu.ft.	66 <sup>7</sup> / <sub>8</sub> " (169.9 cm)	65 <sup>1</sup> / <sub>2</sub> " (166.4 cm)	59" (149.9 cm)	50 <sup>3</sup> / <sub>8</sub> " (128.9 cm)	33 <sup>3</sup> / <sub>8</sub> " (84.8 cm)	30 <sup>7</sup> / <sub>8</sub> " (78.4 cm)	28 <sup>1</sup> / <sub>8</sub> " (71.4 cm)	29 <sup>5</sup> / <sub>8</sub> " (75.2 cm)	32 <sup>1</sup> / <sub>2</sub> " (81.6 cm)
ABB2224BR	21.9 cu.ft.	69 <sup>15</sup> / <sub>16</sub> " (177.6 cm)	68 <sup>1</sup> / <sub>2</sub> " (174.0 cm)	62" (157.5 cm)	50 <sup>3</sup> / <sub>8</sub> " (128.9 cm)	33 <sup>3</sup> / <sub>8</sub> " (84.8 cm)	30 <sup>7</sup> / <sub>8</sub> " (78.4 cm)	28 <sup>1</sup> / <sub>8</sub> " (71.4 cm)	32 <sup>5</sup> / <sub>8</sub> " (82.9 cm)	35 <sup>1</sup> / <sub>2</sub> " (89.5 cm)

## LOCATION REQUIREMENTS



To ensure proper ventilation for your refrigerator, allow for a 1/2" (1.25 cm) space on each side and at the top. Allow at least 1" (2.54 cm) between back of cabinet and the wall. If your refrigerator has an ice maker, allow extra space at the back for the water line connections.

If you are installing your refrigerator next to a fixed wall, leave 2 1/2" (6.3 cm) minimum on the hinge side (some models require more) to allow for the door to swing open.

**NOTE:** This refrigerator is intended for use in a location where the temperature ranges from a minimum of 55°F (13°C) to a maximum of 110°F (43°C). The preferred room temperature range for optimum performance, which reduces electricity usage and provides superior cooling, is between 60°F (15°C) and 90°F (32°C). It is recommended that you do not install the refrigerator near a heat source, such as an oven or radiator.