

AWS-30C, 36C, 42C AND 56C

Alfresco Cart Model - Wind Shield Installation

TOOLS & HARDWARE REQUIRED FOR INSTALLATION:

ITEM	DESCRIPTION:	PART #	QTY:
A	SCREW 10-32 x 1/2" - FLAT HEAD 82° - PHILIPS - SS	200-0326 (existing)	8
B	SCREW 10-32 x 1 1/2" - FLAT HEAD 82° - PHILIPS - SS	200-0397	8
C	# 2 PHILIPS SCREWDRIVER	N/A	-

REMOVE: 8 PCS

- ITEM - A



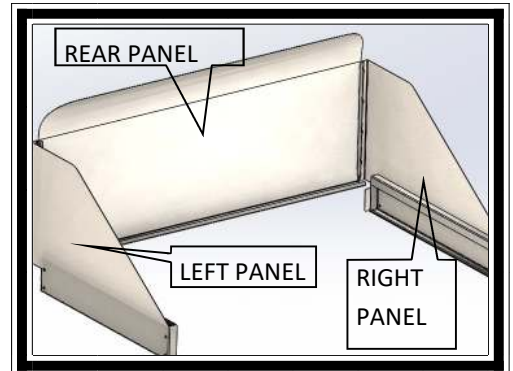
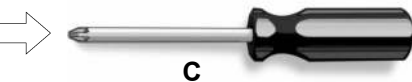
ADD NEW: 8 PCS

- ITEM - B



NEED:

- ITEM - C



STEP 1:

Start by removing the SIDE SHELVES of the cart (as shown on Figure 1)

NOTE: NO TOOL'S are REQUIRED

STEP 2:

Remove Item - A, using a Philips screwdriver (as shown on Figure 2)

STEP 3:

Attaching the Wind Shield: Locate the RT Side or the LT Side Panel first to BBQ, using new screws described as item B (as shown on Figure 3)

STEP 4:

Attaching the Rear Panel:

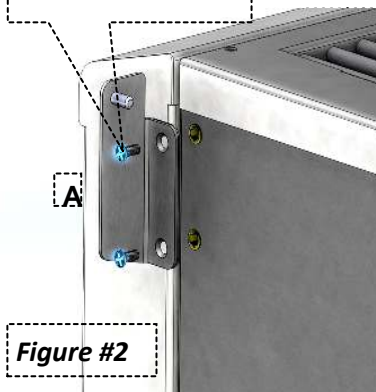
NOTE: NO TOOL'S are REQUIRED to attached the rear panel.

Locate the Rear Panel by inserting the hook-shaped tabs (see Figure 4) into the slots in each of the Side Panels. Make sure the Rear Panel it's pushed all the way down, ensuring secure attachment.

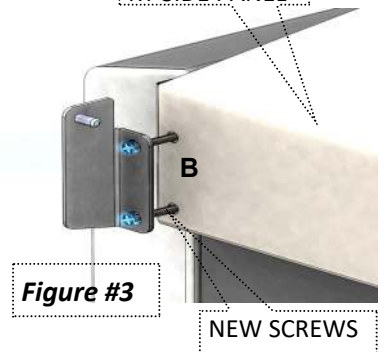
STEP 5:

Re-attach side shelves.

REMOVE EXISTING SCREWS AT FRONT & REAR BRACKETS



RT SIDE PANEL



rear panel

Figure #4

Side panel inside view

