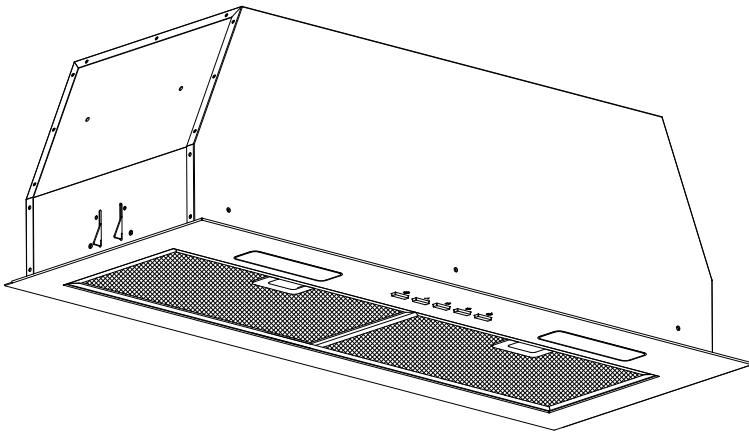


► **Perfekt Insert-24-1A**
Perfekt Insert-30-1A
Perfekt Insert-36-1A

EN User Manual
Insert Range Hood



AEG

CONTENTS

1. Safety Precautions.....	3-8
2. Accessories.....	9
3. Features.....	10
4. Installation Preparation.....	10
5. Installation diagram for different cabinet depths.....	11-13
6. Installation(duct is not supplied).....	14-15
7. How to use.....	16
8. Cabinet Specifications.....	17
9. Technical Specifications.....	18
10. Electrical Diagram.....	19
11. Use and Care.....	20
12. Trouble Shooting.....	21-22
13. AEG Warranty card.....	23
14. Warranty.....	24

FOR PERFECT RESULTS

Thank you for choosing this AEG product. We have created it to give you impeccable performance for many years, with innovative technologies that help make life simpler – features you might not find on ordinary appliances. Please spend a few minutes reading to get the very best from it.



Warranty registration of your product for better service:
www.euro-parts.ca/warranty-registration/



Request spare parts for your AEG appliance:
www.euro-parts.ca/warranty-registration/



For any inquiries regarding warranty, service, or support, do not contact your authorized dealer. Instead, please contact the national service provider, **Euro-Parts**, at **service@euro-parts.ca** or **1-800-561-4614** for dedicated and professional assistance.

aeg-appliances.ca

For Parts & Service

www.euro-parts.ca

EURO-PARTS CANADA

39822 Belgrave Road
Belgrave, ON, N0G 1E0
Phone: 1-800-561-4614

WARRANTY INFORMATION

AEG Appliances are designed and manufactured to the highest standards. Each appliance is covered by comprehensive 2-year parts and labour warranty.

Visit www.euro-parts.ca/aeg-warranty-information/ for complete warranty policy, warranty registration, service request, and parts request.

AEG appliances are imported and distributed in North America by Euro-Line Appliances Inc. For more information, please visit one of our showrooms or www.ela.ca.

EURO-LINE APPLIANCES INC.

871 Cranberry Court
Oakville, ON, L6L 6J7
Tell: 905.829.3980
Toll-Free: 1.800.421.6332
Email: info@ela.ca

EURO-LINE APPLIANCES INC.

101-1014 Homer St.
Vancouver, BC V6B 2W9
Tell: 604.235.3980
Toll-Free: 1.855.352.9378
Email: infowest@ela.ca

222381396-A-152023

AEG

Safety Precautions

READ AND SAVE THESE INSTRUCTIONS

WARNING - to reduce the risk of fire, electrical shock, or injury, read the following:

- Read all instructions before using the appliance.
- Use of this appliance is only for its intended purpose as described in this manual.
- Do not use any accessories that are not recommended by the manufacturer.
- This unit must be grounded.
- Do not use this appliance for commercial use.
- Do not use with any solid-state speed control device.
- Installation work and electrical wiring must be done by qualified technicians in accordance with all applicable regulations, codes & standards, including fire rated construction.
- Sufficient air is needed for proper exhausting of gases of fuel burning equipment to prevent backdraft. Follow the manufacturers guidelines and safety standards.
- When replacing an existing range hood with your new AEG range hood, turn OFF the electrical power to the existing unit before removal.
- Unplug the unit before cleaning or servicing.
- Do not attempt to repair or replace any parts without first calling for service. **Note:** If for any reason this product requires service, please contact Euro-Parts 1-800-561-4614.
- Be careful not to damage existing electrical wiring and/or any other hidden utilities when cutting or drilling into the wall or ceiling.

WARNING to reduce risk of cooktop grease fires:

- Never leave cooking unattended at high temperatures. Boil overs can cause smoke and grease oil spillovers may ignite.
- Use pans of the same size as the elements/ burners are suitable for the amount of food being cooked.
- Always turn the hood OFF when cooking at high temperatures and with high flame foods. E.g., crepe suzettes, cherry jubilees and flambés.
- Clean ventilation fans frequently. Do not allow grease to accumulate on the fan or filters.
- Heat oils and fats slowly on low or medium settings.

WARNING – to reduce the risk of personal injury in the event of a cooktop fire:

- Smother flames with a close-fitting lid, metal tray or metal baking sheet. Turn the burner OFF. Avoid burning yourself. Call the fire department if the flames do not extinguish immediately and evacuate the area.
- Never pick up a flaming pan. Leave it on the cooking surface.
- Never use water or wet dish cloths or towels to extinguish a fire. A violent steam explosion may occur.
- Use a fire extinguisher only if
 - you have a Class ABC and you know how to use it.
 - The fire is small and contained.
 - The fire dept has been called.
 - You have an exit, use the extinguisher with your back to an exit.

CAUTION!

Important to observe all governing codes and ordinances.

- Use for general ventilation only. Never use this appliance to exhaust hazardous or explosive materials and vapors.
- Use only metal ductwork to reduce the risk of fire.
- Avoid damage to the motor or other components, keep drywall spray, construction dust clear of the power unit.
- Read the specification label on the product for further information and requirements.
- Exhaust air from the rangehood into the room to reduce the risk of fire. Do not vent the exhausted air into the space between the wall or ceiling, into the attic, crawl space or garage.

CAUTION!

Grounding Instructions

- This appliance must be grounded. In case of an electrical short circuit, grounding reduces the risk of an electrical shock by providing an escape wire for the electrical current. This appliance has a cord that has a grounding wire with a grounding plug. The plug must be plugged into a properly installed and grounded outlet.
- Improper grounding can result in electrical shock. Consult a qualified electrician when the grounding instructions are unclear or not understandable or when there is doubt that the appliance is correctly grounded.
- Never use an extension cord. When the power cord is too short have a qualified electrician install an outlet near the appliance.
- Never operate any hood with a damaged cord or plug. Discard or return to an authorized service facility for examination and or repair.

CAUTION

- Ensure adequate ventilation when the rangehood is used at the same time as appliances burning gas or other fuels (not applicable to appliances that only discharge air back into the room).
- There is a risk of fire if regular cleaning is not done in accordance with the instructions.
- Caution accessible parts may become hot when used with cooking appliances.
- Air must not be discharged into a flue that is used for exhausting fumes from appliances burning gas or other fuels (not applicable to appliances that only discharge air back into the room).
- This appliance is not intended for use by persons with reduced physical, sensory or mental capabilities or lack of experience and knowledge unless they have been given supervision or instruction concerning use of the appliance by a person responsible for their safety. Always supervise children. Never let children play with the appliance.

Précautions de sécurité

Lire et enregistrer ces instructions

AVERTISSEMENT - Réduire le risque d'incendie, de choc électrique ou de blessure, lisez ce qui suit:

- Lisez toutes les instructions avant d'utiliser l'apppliance.
- L'utilisation de cet appareil n'est que pour son objectif destiné comme décrit dans ce manuel.
- N'utilisez aucun accessoire qui ne sont pas recommandés par le fabricant.
- Cette unité doit être mise à la terre.
- N'utilisez pas cet appareil pour une utilisation commerciale.
- N'utilisez pas avec aucun dispositif de contrôle de vitesse d'état solide.
- Les travaux d'installation et le câblage électrique doivent être effectués par des techniciens qualifiés conformément à toutes les réglementations, codes & normes applicables, y compris la construction nominale des incendies.
- Un air suffisant est nécessaire pour un bon épousement des gaz d'équipement de combustible pour empêcher la médaille de fond. Suivez les lignes directrices et les normes de sécurité des fabricants.
- Lorsque vous remplacez une hotte de plage existante avec votre nouveau hotte de gamme AEG, éteignez l'alimentation électrique sur l'unité existante avant de vous enlever.
- Débranchez l'appareil avant de nettoyer ou d'entretenir.
- N'essayez pas de réparer ou de remplacer les pièces sans d'abord appeler le service. **Remarque:** Si pour une raison quelconque, ce produit nécessite un service, veuillez contacter Euro-Parts 1-800-561-4614.
- Soyez prudent de ne pas endommager le câblage électrique existant et / ou tout autre utilité caché lors de la coupe ou du forage dans le mur ou le plafond.

Avertissement - Réduire le risque de feux de graisse de la table de cuisson:

- Ne laissez jamais la cuisson sans surveillance à des températures élevées. Bull Outd Peut causer la fumée et la graisse / les déversements d'huile peuvent s'enflammer.
- Utilisez des casseroles de la même taille que les éléments / brûleurs conviennent à la quantité de nourriture cuit.
- Tournez toujours la cagoule lors de la cuisson à des températures élevées et avec des aliments à flamme élevés. E.G., crêpe suzettes, jubiles cerisiers et flambés.
- Nettoyer fréquemment les ventilateurs de ventilation. Ne laissez pas la graisse s'accumuler sur le ventilateur ou les filtres.
- Huiles de chauffage et graisses lentement sur les réglages faibles ou moyens.

AVERTISSEMENT - Réduire le risque de blessure corporelle en cas de tir à la table de cuisson:

- Smother flames with a close-fitting lid, metal tray or metal baking sheet. Turn the burner OFF. Avoid burning yourself. Call the fire department if the flames do not
- extinguish immediately and evacuate the area.
Ne jamais prendre une casserole flamboyante. Laissez-le sur la surface de cuisson.
- N'utilisez jamais d'eau ni de vaisselle mouillée ni de serviettes pour éteindre un feu. Une violente explosion de vapeur peut survenir.
- Utilisez un extincteur uniquement si
 - Vous avez une classe ABC et vous savez comment l'utiliser.
 - Le feu est petit et contenu.
 - Le département de feu a été appelé.
 - Vous avez une sortie, utilisez l'extincteur avec votre dos à une sortie.

MISE EN GARDE!

Important d'observer tous les codes et ordonnances de gouvernement.

- Utilisation pour la ventilation générale seulement. N'utilisez jamais cet appareil pour échapper à des matériaux et vapeurs dangereux ou explosifs.
- Utilisez uniquement des gaines métalliques pour réduire le risque d'incendie.
- Évitez les dommages causés au moteur ou à d'autres composants, gardez le spray de cloison sèche, la poussière de construction dégagée de l'unité d'alimentation.
Lisez l'étiquette de spécification sur le produit pour plus d'informations et à des exigences.
- Échapper à l'air de la plurance dans la salle pour réduire le risque d'incendie. N'engagez pas l'air épuisé dans l'espace entre le mur ou le plafond, dans le grenier, l'espace sanitaire ou le garage.

MISE EN GARDE!

Mise à la terre - Instructions

- Cet appareil doit être mis à la terre. En cas de court-circuit électrique, la mise à la terre réduit le risque d'un choc électrique en fournissant un fil d'évacuation pour le courant électrique. Cet appareil a un cordon qui a un fil de terre avec une fiche de mise à la terre. La fiche doit être branchée dans une prise correctement installée et mise à la terre.
- La mise à la terre inappropriée peut entraîner un choc électrique. Consultez un électricien qualifié lorsque les instructions de mise à la terre ne sont pas claires ou non compréhensibles ou en cas de doute que l'appareil est correctement mis à la terre.
- N'utilisez jamais de rallonge. Lorsque le cordon d'alimentation est trop court, un électricien qualifié installe une prise près de l'appareil.
- N'utilisez jamais de capot avec un cordon endommagé ou une fiche. Jeter ou revenir à une installation de service autorisée pour examen et / ou réparation.
- Ne courez jamais un cordon sous la moquette ou la couverture avec des tapis ou des revêtements similaires. Ne pas parcourir le cordon sous des meubles ou des appareils.

MISE EN GARDE

- Assurer une ventilation adéquate lorsque la plage est utilisée en même temps que les appareils brûlants du gaz ou d'autres combustibles (non applicables aux appareils qui ne renvoient que de l'air dans la pièce).
- Il y a un risque d'incendie si le nettoyage régulier n'est pas effectué conformément aux instructions.
- Ne jamais flamber sous la randonnée.
- ATTENTION Les pièces accessibles peuvent devenir chaudes lorsqu'elles sont utilisées avec des appareils de cuisson.
- L'air ne doit pas être déchargé dans une conduite de combustion utilisée pour épuisser les fumées d'appareils brûlant du gaz ou d'autres combustibles (non applicable aux appareils qui ne renvoient que de l'air dans la pièce).
- Cet appareil n'est pas destiné à être utilisé par des personnes ayant des capacités physiques, sensorielles ou mentales réduites ou un manque d'expérience et de connaissances à moins d'avoir reçu une surveillance ou une instruction concernant l'utilisation de l'appareil par une personne responsable de leur sécurité. Toujours superviser les enfants. Ne laissez jamais les enfants jouer avec l'appareil.

Accessories

Range hood accessories provided:

- 1 x Range hood
- 2 x Filters
- 1 x User manual
- 1 x Ducting outlet
- 3 x Stainless steel strips

Check to make sure that all parts and accessories are present and in good condition. If you find any in poor condition or any parts are missing please contact Euro-Parts for assistance 1-800-561-4614 .

Features

- This appliance is manufactured from top quality materials, and offers superb, streamlined effects.
- With high suction power and low noise, it is designed to remove cooking fumes from your kitchen quietly and effectively.

Installation Preparation

Note: this procedure requires 2 people for easier installation.

General Preparation

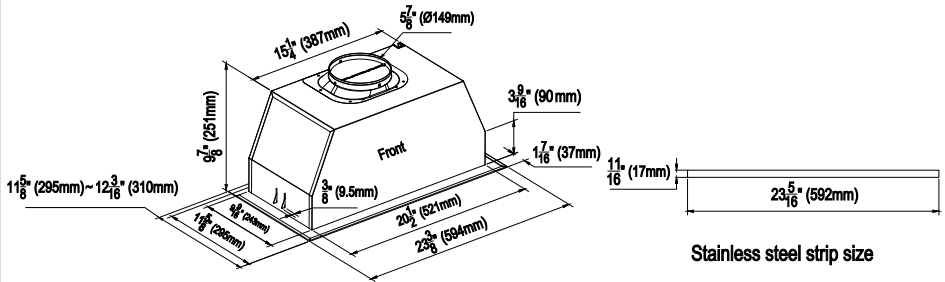
- Remove range hood from packaging and lay upside down on a table covered with cardboard or paper to prevent scratching of the hood or table.
- Check the power switch is set to OFF.

Tools needed for installation:

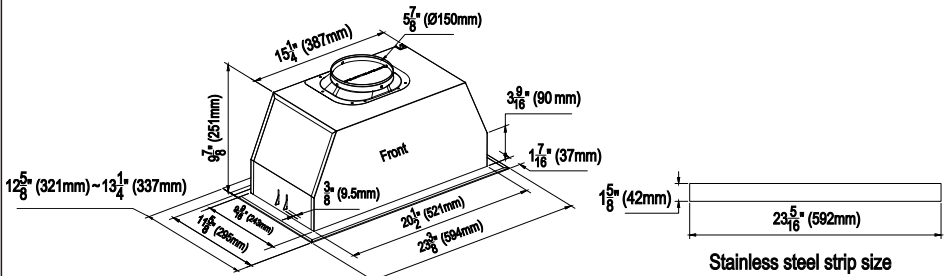
- Drill.
- 1/8" drill bit for pilot holes.
- 1-1/4" wood bit or drilling electrical wiring access hole.
- Phillips head screwdriver.
- Flat-head screwdriver.
- Pliers.
- Pencil, ruler, and level for marking range hood location.
- Hand saw or jig saw for cutting the wall or cabinet openings.
- Duct Tape.
- Electrical tape.
- Connector clamp.

Installation diagram for different cabinet depths

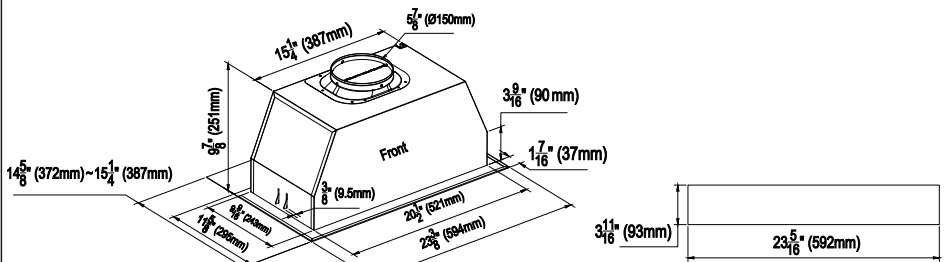
Perfekt Insert-24 -1A



12" cabinet



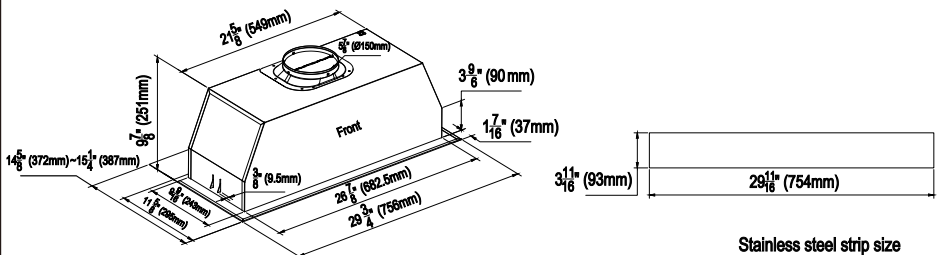
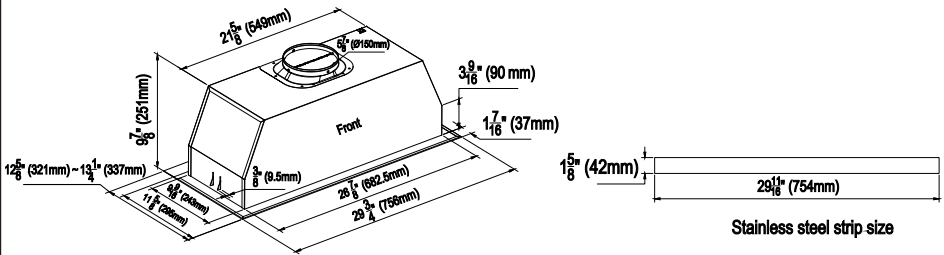
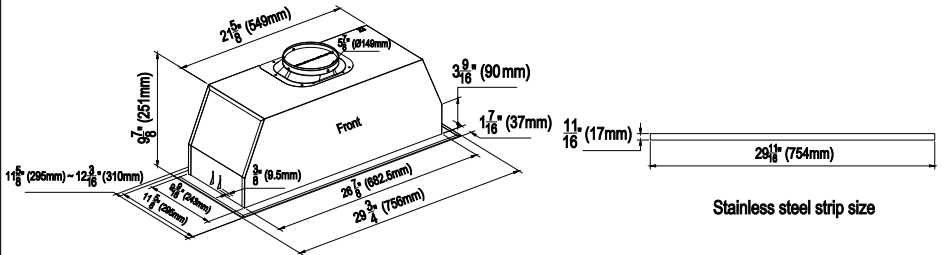
13" cabinet



15" cabinet

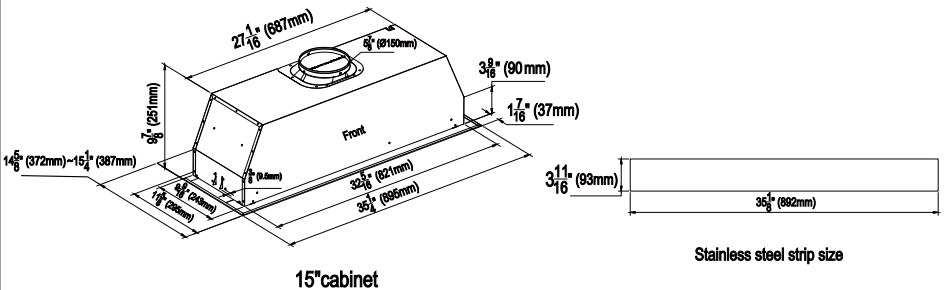
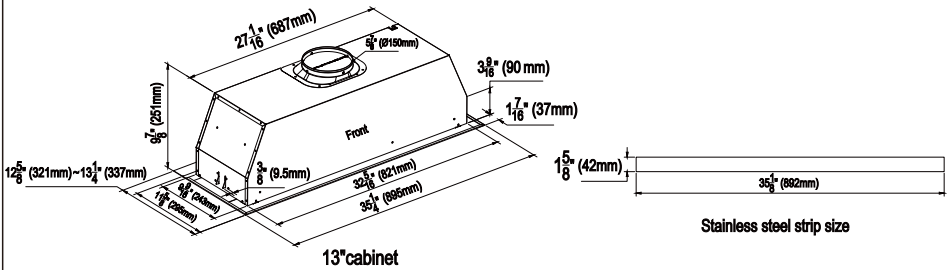
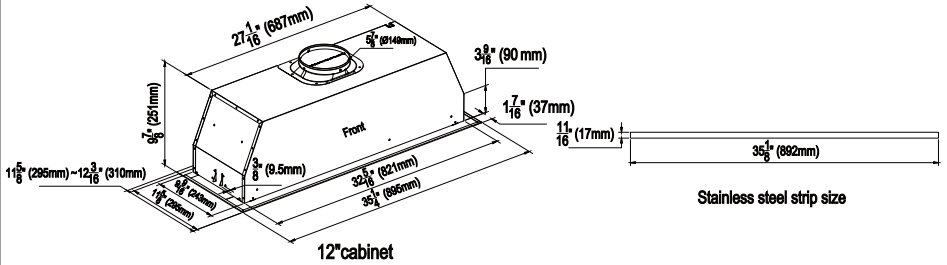
Installation diagram for different cabinet depths

Perfekt Insert-30 -1A



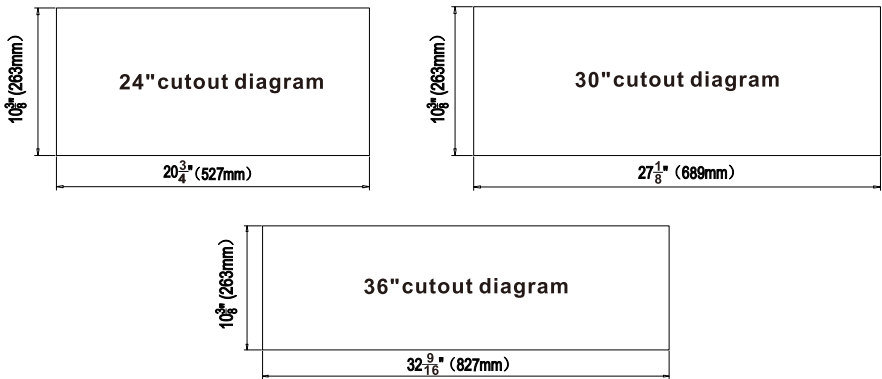
Installation diagram for different cabinet depths

Perfekt Insert-36 -1A



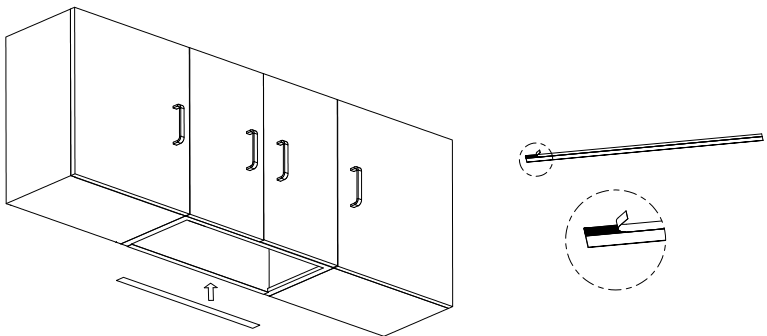
Installation (duct is not supplied)

1. The range hood should be mounted at a minimum distance of 24" from cooking surface - Gas, Electric or Induction cook top.
2. Ensure that the wall the hood is to be installed on is sufficiently sturdy to carry the weight of the hood. It should be mounted level for the best performance.
3. Cut a hole in the cupboard according to the size in pic below.



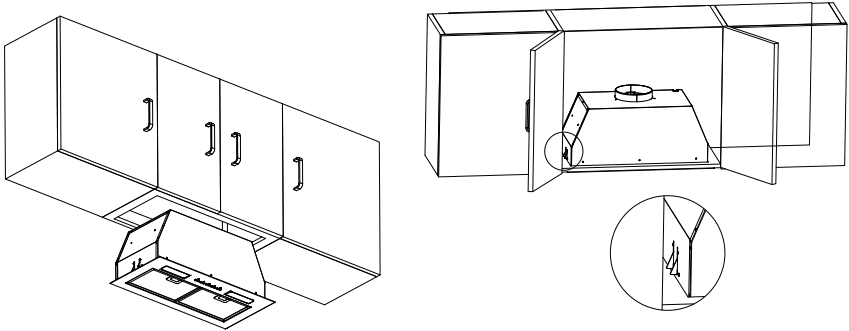
Assumes installation with 5/8" wide cabinet gables

4. Choose the stainless strip and remove the sticker and stick it on the cabinet.

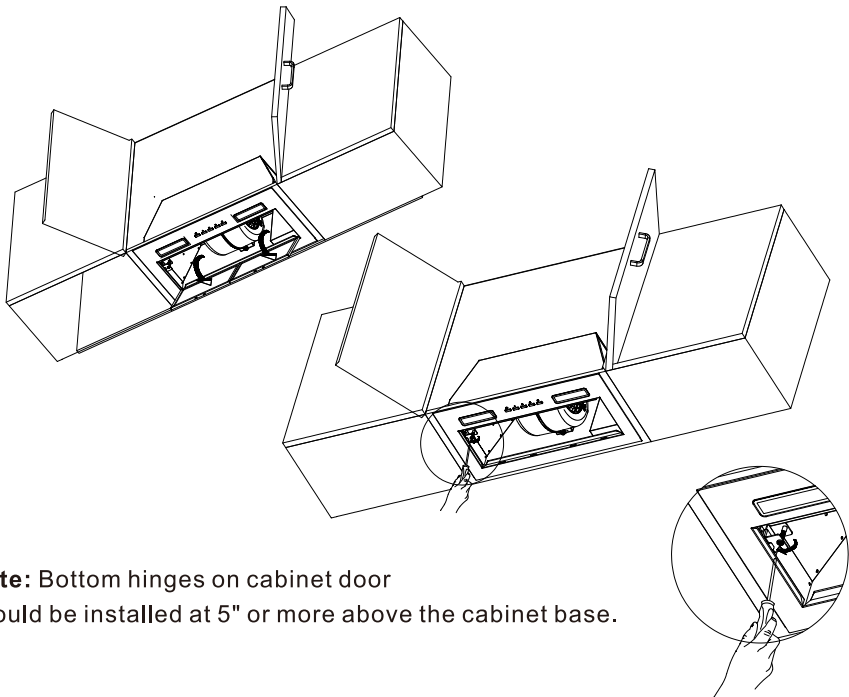


Installation (duct is not supplied)

5. Fit the hood into the cabinet.



6. Open the filter and secure with the two screws on both sides.



Note: Bottom hinges on cabinet door should be installed at 5" or more above the cabinet base.

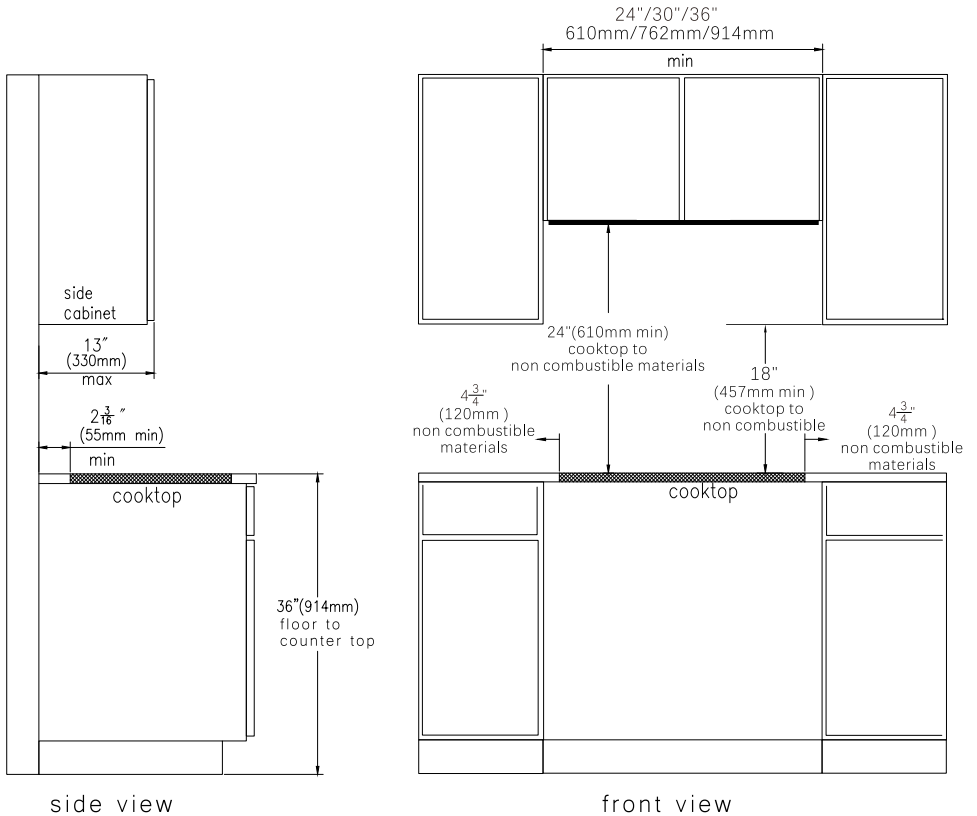
WARNING: TO REDUCE THE RISK OF FIRE, USE ONLY METAL DUCTWORK AND DUCT CONNECTION DEVICES.

How to use

- When the power button is pressed, the motor will run at the highest speed. Motor will shut off when power button is pressed again. The lights are independent of the power button operation.
- Push the low button, and the motor will run at the lowest speed.
- Push the Mid button, and the motor will run at the medium speed.
- Push the high button, and the motor will run at the highest speed.
- Push the light button, and the two lights will illuminate. Push it again and the lights will turn off.

Cabinet Specifications

RECOMMENDED CABINET MINIMUM CLEARANCE FROM COOKING SURFACE



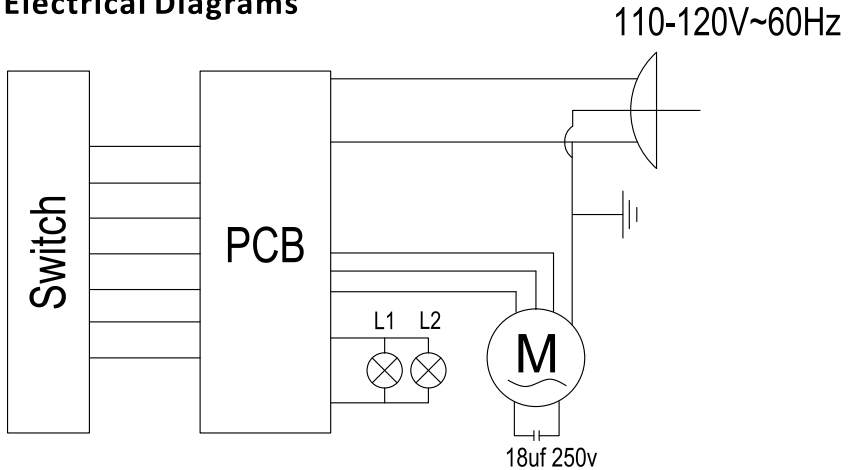
*** Follow local building codes for clearance requirements. ***

Technical Specifications

Perfekt Insert-24-1A, Perfekt Insert-30-1A, Perfekt Insert-36-1A

Power Supply	110-120V~,60Hz
Rated Input Power	218W
Lighting Power	2x1W
Motor Power	216W
Air flow -CFM rating	374CFM

Electrical Diagrams



Use and Care

Filter

For highest efficiency, the metal filter should be removed and cleaned once a month.

Soak the filter in hot water with a mild soap or detergent. Rinse thoroughly and repeat if necessary. The filter is also dishwasher safe. Heavy grease buildup may not be cleaned easily, therefore the filter may need to be replaced.

Light Bulb

This model requires 2 x 1W LED light bulbs, available from Euro-parts 1-800-561-4614.

Exterior surface

Do NOT use abrasive materials such as steel wool pads or scouring pads.

Wipe the rangehood exterior with a soft cloth and a mild detergent suitable for painted surfaces.

Repairs or Replacement Parts

Warning! Disconnect the range hood from the electrical power supply before servicing.

All parts may be obtained from Euro-Parts 1-800-561-4614.

When ordering parts, please specify the range hood model number located on the rating label, which can be found on the inside of the range hood.

Trouble Shooting

When any problems occur, unplug the hood from the electrical outlet and contact Euro-Parts or an authorized servicer in order to avoid an accident.

Fan does not turn on (but light turns on).

This is probably due to either a defective fan switch or a burned-out fan motor. Use an OHM meter to determine which component is not working.

If the OHM meter reads that the fan switch has 0 x OHM of resistance, then it is the motor that needs to be replaced. If it reads anything other than zero, then the switch must be replaced.

Please contact Euro-Parts or an authorized servicer to fix this problem.

Light does not turn on (but fan turns on).

This could be because the bulb has burned out. Try replacing the light bulb. If the light still does not work, either the light switch or the lamp-holder socket could be defective. Both can be replaced without having to remove the range from the wall or cabinet.

Rangehood does not turn on.

Check for a tripped circuit breaker or a blown fuse.

Note: All work must be done by a qualified licensed technician.

PLEASE RETURN THIS PORTION

AEG Warranty Card

Product: _____

Purchaser:

Name: _____

Address: _____ Prov.: _____

Postal Code: _____ Tel.: _____

Signature: _____

Purchase Date: _____

Purchased From: _____

Invoice No: _____

Product/Model(s): _____

Serial No(s): _____

RETURN THIS FOR VALIDATION

EURO-LINE APPLIANCES INC.

871 Cranberry Court, Oakville, ON L7L 6J7

www.ela.ca • Toll Free: 1-800-421-6332

LENGTH OF WARRANTY

TWO YEAR FULL WARRANTY:

From original date of purchase, including parts and labour to the first registered purchaser of this appliance to repair or replace any part which is deemed a factory or workmanship defect or material defect.

THIS WARRANTY DOES NOT COVER COMMERCIAL USE.

The name Euro-Line Appliances, for service matters, incorporates work performed by authorized service agents or service companies.

EXCEPTIONS –EURO-LINE WILL NOT PAY FOR THE FOLLOWING SERVICE CALLS:

1. To install or correct the installation of an appliance.
2. To provide instruction on the use of an appliance.
3. To replace house fuses, re-set circuit breakers or correct house wiring.
4. To correct house plumbing.
5. To clean drains, filters or garbage disposals.
6. To remove shipping brackets.
7. To repair an appliance if it fails due to misuse or abuse, ie. – use of incorrect laundry detergent, you MUST use the recommended low sudsing detergent.
8. To repair or replace any part damaged resulting from foreign objects caught in the appliance.
9. To repair cosmetic damage to the appliance (cracked/broken glass components, scratches to stainless steel components), unless such damage results from a defect in the workmanship or materials. Such damage must be reported to AEG within 5 days from the date of purchase.

For warranty service and parts, contact EURO-PARTS. Service will be provided during normal business hours.

EURO-PARTS, CANADA 39822 Belgrave Road, Belgrave, ON N0G 1E0

www.euro-parts.ca | 1-800-561-4614 | service@euro-parts.ca | parts@euro-parts.ca

Please have the following information ready when calling for service support:

Name of Dealer from whom you purchased the appliance; Model Number (shown on rating plate of appliance); Serial Number (shown on rating plate of appliance); Date of Purchase.

EURO-LINE WILL PAY FOR:

Replacement parts and/or labour to repair defects in materials or workmanship. Service must be provided by an authorized Euro-Line company (unless advised otherwise).

Euro-Parts is the authorized AEG parts and service provider in Canada. All warranty claims and service requests must be approved by Euro-Parts and any warranty work on the appliance must be performed by a trained and authorized AEG service technician.

EURO-LINE WILL NOT PAY WHEN THE FOLLOWING OCCURS:

1. Damage resulting from fires, acts of God, alteration, accident, improper installation not in accordance with local building codes, or uses not approved by AEG or the manufacturer of the appliance.
2. Pickup or delivery of major appliances requiring service. The appliances are designed to be repaired in the home, however AEG will not be responsible for traveling and labour costs if the customer lives in excess of 50km/30 miles, or if the travel time is in excess of 30 minutes from the nearest service center. Any excess to this will not be covered by the warranty.

The consumer shall ensure that it keeps all drains clear, that it replaces all filters in accordance with the manufacturer's specifications and ensures that all electrical wiring meets local codes and conforms to the manufacturer's specifications. In no event will AEG or its parents, subsidiaries or affiliates be responsible for (i) damages which are caused, in whole or in part, by the consumer's failure to comply with the foregoing obligations, (ii) incidental, consequential, punitive, exemplary or special damages, or (iii) damages in excess of the price paid for the product for which a claim is made.

EURO-LINE APPLIANCES INC.

871 Cranberry Court, Oakville, ON L7L 6J7 | www.ela.ca | Toll Free: 1-800-421-6332