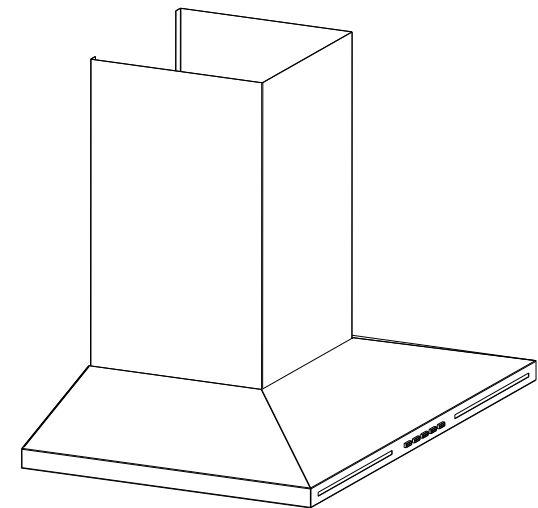


Perfekt Pyramid-30, Perfekt Pyramid-36
Range Hood Instruction Manual



Thank you for the purchase of this product. Please read the manual carefully before operating the appliance.





Contents

Important Safety Instructions	2
Introduction	3
Features	3
Installation	4-5
Charcoal filter (Optional)	6
How to Use	7
Grounding Instruction	8
Safety Information	9
Trouble Shooting	10
Electrical Diagram	11
Specifications	12
Cleaning & Maintenance	13
Installation Diagram	14
Warranty	15

Important Safety Instructions

- Read and save these instructions.
- Warning - To reduce the risk of fire or electric shock, do not use this fan with any solid-state speed control device.
- CAUTION: For general ventilating use only. Do not use to exhaust hazardous or explosive materials and vapors.
- Warning - To reduce the risk of a range top grease fire:
 - *Never leave surface units unattended at high settings. Boil overs cause smoking and greasy spillovers that may ignite. Heat oils slowly on low or medium settings.
 - *Always turn hood ON when cooking at high heat or when flambéing food (i.e. Crepes Suzette, Cherries Jubilee, Peppercorn Beef Flambé).
 - *Clean ventilating fans frequently. Grease should not be allowed to accumulate on fan or filter.
 - *Use proper pan size. Always use cookware appropriate for the size of the surface element.
- Warning - To reduce the risk of injury to persons in the event of a range top grease fire, perform the following:
 - *Smother flames with a close-fitting lid, baking sheet, or metal tray, and then turn off the burner. Be careful to prevent burns. If the flames do not go out immediately, evacuate and call the fire department.
 - *Never pick up a flaming pan - you may be burned.
 - *Do not use water, including wet dishcloths or towels because a violent steam explosion may result.
 - *Use an extinguisher ONLY if:
 - A) You know you have a class ABC extinguisher, and you already know how to operate it.
 - B) The fire is small and contained in the area where it started.
 - C) The fire department is being called.
 - D) You can fight the fire with your back to an exit.

Warranty

AEG Appliances are imported and distributed in North America by Euro-Line Appliances Inc.

All AEG Appliances are backed by a comprehensive 2-year parts and labour warranty. Information on service and parts available from Euro-Parts at 1-800-678-8352.

Notice: "AEG is a registered Trademark used under license from AB Electrolux (publ)"

For more information visit www.euro-line-appliances.com or contact:

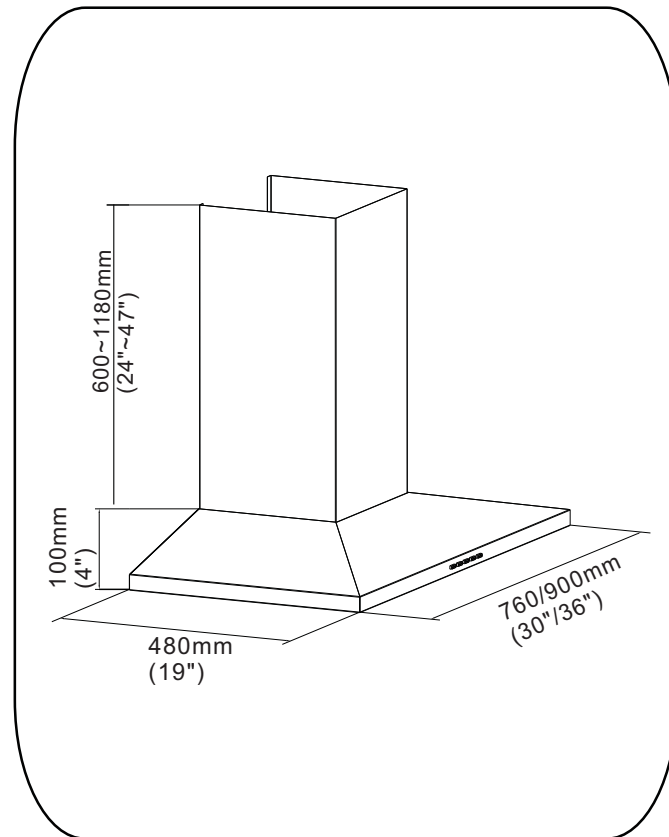
EURO-LINE APPLIANCES INC.

871 Cranberry Court,
Oakville, Ontario. L6L6J7
Canada
Tel 905-829-3980
1-800-421-6332 : Euro-Line Appliances Inc.
1-800-ELA-WEST : Euro-Line Appliances
West

marketing@euro-line-appliances.com



Installation Diagram



Introduction

- This appliance has been manufactured with materials and processes that respect the environment. We hope that you will continue this important consideration in the operation of this appliance and the disposal of the packaging materials – thank you.
- The installation work must be undertaken by a qualified technician experienced in range hood installation. Please connect the correct power rating (see page 10).
- The manufacturer disclaims all liability for any damage or injury caused as a result of not following instructions for installation contained in the following text.
- The appliance is not intended for use by young children or infirm persons without supervision.
- Young children should be supervised to ensure that they do not play with the appliance.
- The maximum number of burners covered by a range hood should not exceed 5.
- Any modifications to the appliance, electric wire and plug is dangerous and voids the warranty.

Features

- This appliance is manufactured from top quality materials, and offers superb streamlined effects.
- With high suction power and low noise, it is designed to remove cooking fumes from your kitchen quietly and effectively.

Installation *(duct is not supplied)*

1. The range hood should be mounted at a distance of 24" (600mm) from an electric or induction cooktop, and 30" (762mm) above a gas cooktop for safety and optimum performance (see pic 1). If the instructions for installation of the gas cooktop specify a greater distance, this has to be taken into account. The exhaust air must not be discharged into a flue which is used for exhausting fumes from other appliances burning gas or other fuels.
2. To install onto the wall, drill 2 holes of $\Phi 8\text{mm}$ in a sturdy wall 3. 54" (90mm) on either side of centre point of range hood. And mount the bracket on the wall in an appropriate place (see pic 2).
3. Insert expanding screws into the holes (see pic 2).
4. Fix drilling template on the wall.
5. Add the duct (alternative part) and connect it to the kitchen outlet vent with screws (see pic 3).
6. Take out the inner chimney with outer chimney together from the package. Pick out one of the brackets from the accessories. Using two screws M4X8 to lock the bracket on the outer chimney top (see pic 6).
7. Put outer chimney and inner chimney together on the main body (see pic 4). Pull out the inner chimney and fix the inner chimney to the bracket by screws. Then insert the outer chimney, the outer chimney should be fixed on the main body by screws (see pic 5).
8. Ensure that the wall the hood is to be installed on is sufficiently sturdy to carry the weight of the hood. It should be mounted level for best performance.
9. Do not connect to a common vent with any other appliances such as a gas heater, water heater, washer/dryer, etc.
10. The duct should not be bent more than 120° from the one way valve outlet in the kitchen vent.
11. Check to make sure that the electrical cord is not in contact with sharp edges of the appliance.
12. Be sure that the plug is accessible after installation.

Cleaning & Maintenance

1. Clean the surface of the hood every week with mild soap or detergent. Avoid solvents, acid, alkali, scouring pads or power that could irreparably damage the stainless steel surface.
2. The grease filters may be washed using mild soap, detergent or degreasing agents.
3. The filters can be washed in a dishwasher.
4. The charcoal filters cannot be cleaned and must be generally replaced after 6 months of use.

Specifications

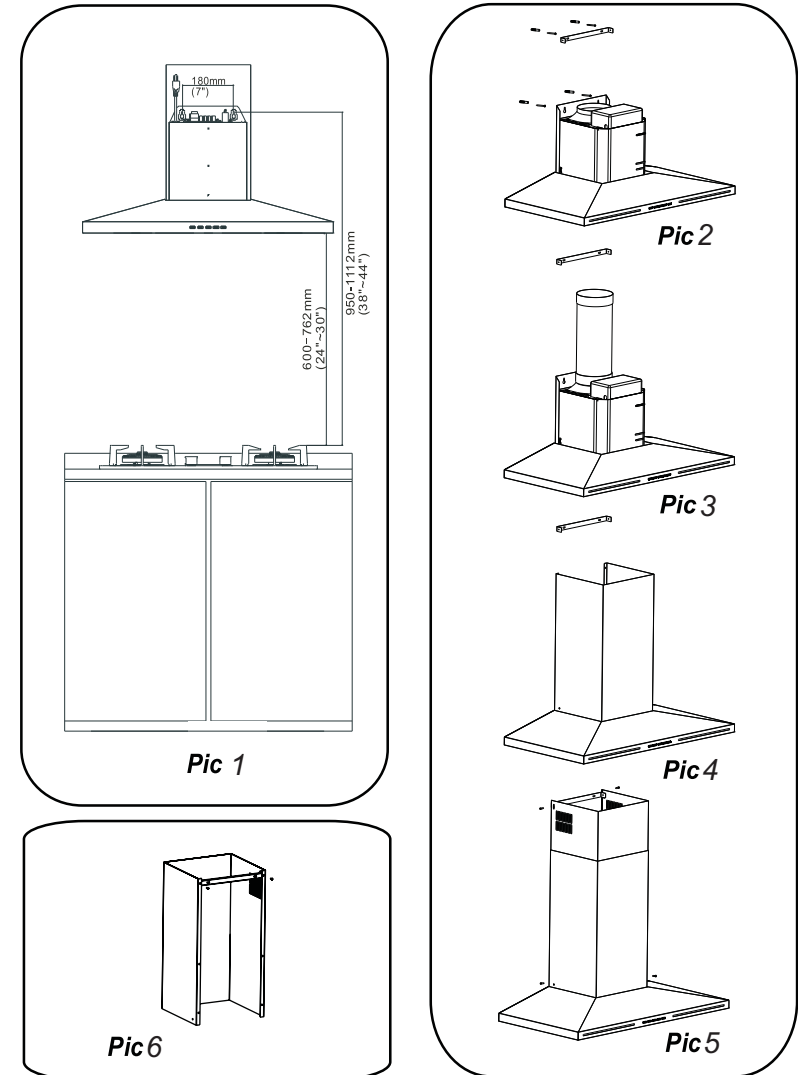
Perfekt Pyramid-30

Power Supply	110-120V, 60Hz
Rated Input Power	97W
Lighting Power	1 x 2W
Motor Power	95W
Airflow	500 CFM
Outlet Diameter	150mm
Hardwire or Plug	Plug

Perfekt Pyramid-36

Power Supply	110-120V, 60Hz
Rated Input Power	99W
Lighting Power	2 x 2W
Motor Power	95W
Airflow	500 CFM
Outlet Diameter	150mm
Hardwire or Plug	Plug

13. For ductless installations (or recirculation instruction), remove the label on the underside of the hood indicating installation of a charcoal filter. Attach charcoal filter, part CF-B, by placing in opening and clipping in place.



Charcoal filter (Optional)

The hood can install the charcoal filter which can make your kitchen cleaner.



Step1. Remove this label if installing charcoal filter.



Step2. Buckle the filter on the air cabinet and push it up.



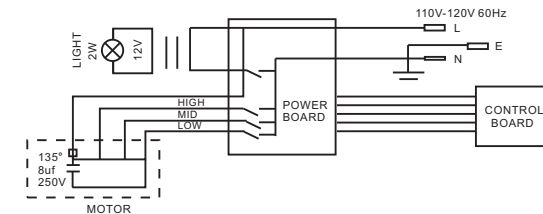
Step3. Press the catch and push it into the hole.



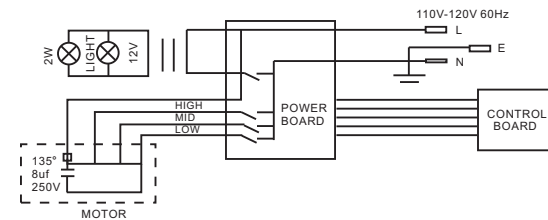
Step4. Put on the aluminium filter.

Electrical Diagrams

Perfekt Pyramid-30



Perfekt Pyramid-36



Trouble Shooting

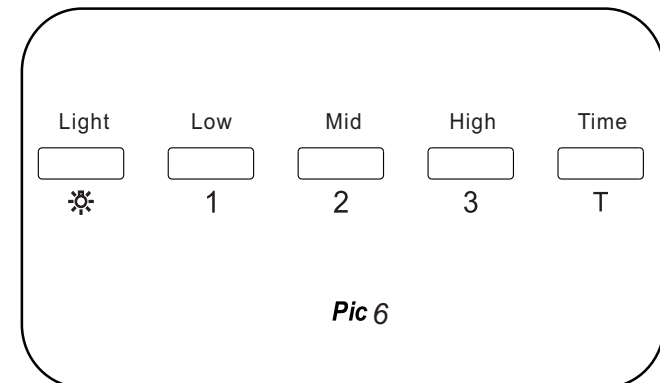
If any problem occurs, please detach the plug from the socket and contact Euro-Parts or a similarly qualified person in order to avoid a hazard.

Problem	Cause	Solution
Light on, but motor does not work	The outlet valve is blocked	Detach flue and duct then turn on the hood to check if the valves open
	The capacitor has failed	Call for technical service
	The control switch has broken	Call for technical service
Light does not work, motor does not work	No power supply	Plug another appliance into the socket to confirm there is power supply
	Fuse has blown	Open up the plug and replace the 13A fuse
Vibration	The propeller is damaged or unbalanced	Call for technical service
	The hood is not installed correctly	Review the installation instructions and check the installation again for loose screws, brackets or connections
Insufficient suction effect	The distance between the hood and cooktop is too great	Check that the distance is between 600mm and 762mm
	The filters are saturated	Clean the filters from grease residue and replace after cleaning

How to Use

3 speed adjustment (see pic 6)

- Push the 1 button, and the motor will run at the lowest speed.
- Push the 2 button, and the motor will run at medium speed.
- Push the 3 button, and the motor will run at the highest speed.
- Push the Light button, and the lighting lamps will illuminate. Push it again and the lights will turn off.
- On any speed, Push "T" button once and the delay timer will start working. The motor will be turned off automatically after 5 minutes.
- Push "T" button twice, the motor will turn off immediately.



Pic 6

Grounding Instructions

- This appliance must be grounded. In the event of an electrical short circuit, grounding reduces the risk of electric shock by providing an escape wire for the electric current. This appliance is equipped with a cord having a grounding wire with a grounding plug. The plug must be plugged into an outlet that is properly installed and grounded.
- Warning - Improper grounding can result in a risk of electric shock.
- Consult a qualified electrician if the grounding instructions are not completely understood, or if doubt exists as to whether the appliance is properly grounded.
- Do not use an extension cord. If the power supply cord is too short, have a qualified electrician install an outlet near the appliance.

WARNING: TO REDUCE THE RISK OF FIRE, USE ONLY METAL DUCTWORK AND DUCT CONNECTION DEVICE.

Safety Information

- There must be permanent and adequate ventilation of the room when operating the range hood with appliances burning gas or other fuels.
- Do not check the status of the filters when the range hood is operating – wait at least 30 minutes after switching off to avoid scalding.
- Do not touch the LED light within 30 minutes after appliance use.
- Avoid operating a gas cooktop when there is no pan on the stove. It is a fire hazard and may cause damage to the hood filters.
- Disconnect the electrical plug prior to any maintenance.
- This appliance is not intended for use by young children unless they have been adequately supervised by a reasonable person to ensure that they can use the appliance safely.
- The range hood is for home use only and is not suitable for outdoor, barbeque, and other commercial applications.
- The range hood and its filter should be cleaned regularly for best performance.
- Before cleaning, please confirm that the power is switched off.
- Building regulations concerning the discharge of exhaust air have to be fulfilled.
- Do not cook with an open flame under the range hood.
- For any technical issues ensure that a suitably qualified person handles any repairs or inspections.