

PERFEKT INSERT 36
36" Built-in Range Hood

PERFEKT INSERT - 36

36" Under Cabinet Built-in Range Hood



DISHWASHER FEATURES

- – 36" (90cm) stainless steel built-in range hood insert
- – 2 x LED strip lighting
- – 2 speed adjustment
- – 2 x 5 layer perforated filters (dishwasher safe)
- – Electronic push buttons
- – Quiet (7 sones/56 dB) 340 CFM motor

UNIT DIMENSIONS

- D: 11^{7/16}" x H: 16^{9/16}" x W: 35^{7/16}"
- D: 290 mm x H: 420 mm x W: 900 mm

CUT-OUT DIMENSIONS

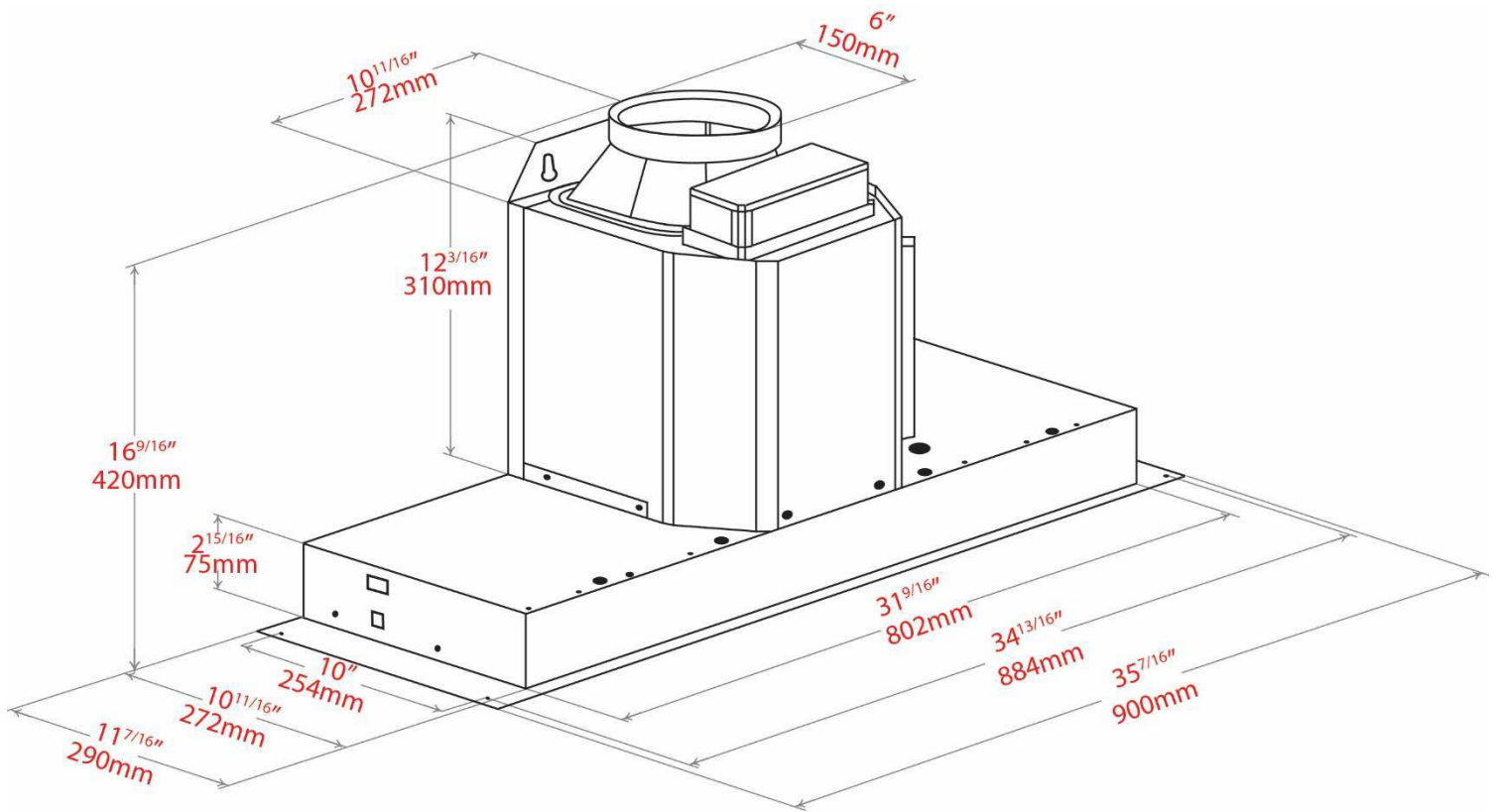
- D: 10^{11/16}" x W: 31^{9/16}"
- D: 272 mm x W: 802 mm

ELECTRICAL REQUIREMENTS

- 115 Volt, 60Hz, 12 AMP, 1200W
- Supplied with Canadian cord and plug

Specifications

Perfekt Insert - 36



Detailed Specification Available at www.aeg-appliances.ca

AEG products are designed and built to the highest standards.
Each appliance is covered by a comprehensive 2 year parts and labour warranty.

Refer to product warranty policy for complete terms and conditions.

For Service & Parts
EURO-PARTS

39822 Belgrave Rd,
Belgrave, Ontario, Canada,
N0G 1E0

1.800.678.8352

AEG appliances are imported and distributed in North America by Euro-Line Appliances Inc.

For more information visit

www.euro-line-appliances.com / www.elawest.com

EURO-LINE APPLIANCES INC.

871 Cranberry Court
Oakville, ON L6L 6J7
Canada
Toll Free: 1.800.421.6332
Showroom: 905.829.3980
marketing@euro-line-appliances.com

EURO-LINE APPLIANCES WEST INC.

2912 West 4th Ave
Vancouver, BC V6K 1R2
Canada
Toll Free: 1.855.ELA WEST (352.9378)
Showroom: 604.235.3980
info@elawest.com