

PERFEKT GLIDE 36-1  
36" Built-in Telescopic Range Hood

**AEG**

# PERFEKT GLIDE 36-1

## 36" Built-in Telescopic Range Hood



### RANGE HOOD FEATURES

- 36" (90cm) stainless steel built-in glide-out range hood
- LED lighting
- 2 speed adjustment
- 2 x dishwasher safe honey comb filters
- Electronic push buttons
- Quiet (7 sones/56dB) 300 CFM motor

### RANGE HOOD DIMENSIONS

- D: 11<sup>1/4</sup>" x W: 31<sup>5/8</sup>" x H: 8<sup>5/16</sup>"
- D: 286 mm x W: 803 mm x H: 211 mm

### DUCT SIZE

- 6" Duct Adapter Included

### ELECTRICAL REQUIREMENTS

- 115 Volt, 60Hz, 15AMP
- AEG Range Hoods are supplied with a Canadian cord and plug
- Electrical cord located 6<sup>5/16</sup>" (160mm) from the top right corner of the unit at the rear

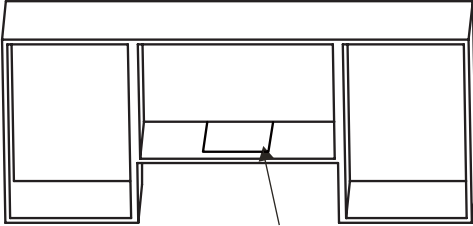


# Specifications

## PERFEKT GLIDE 36

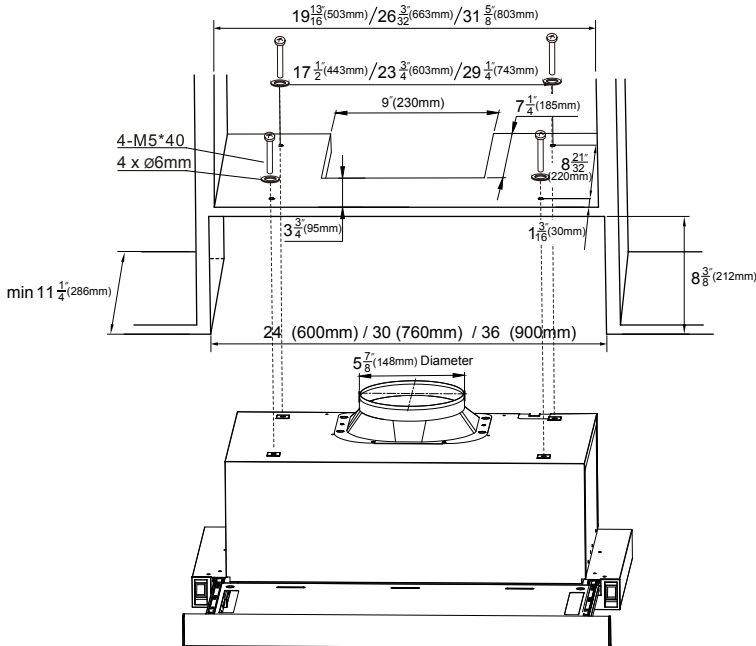
### CABINET PREPARATION FOR HOOD SUPPORT

The range hood should be mounted at a minimum distance of 24" from an electric or induction cooktop, and a minimum distance of 30" above a gas cooktop for safety and optimum performance.



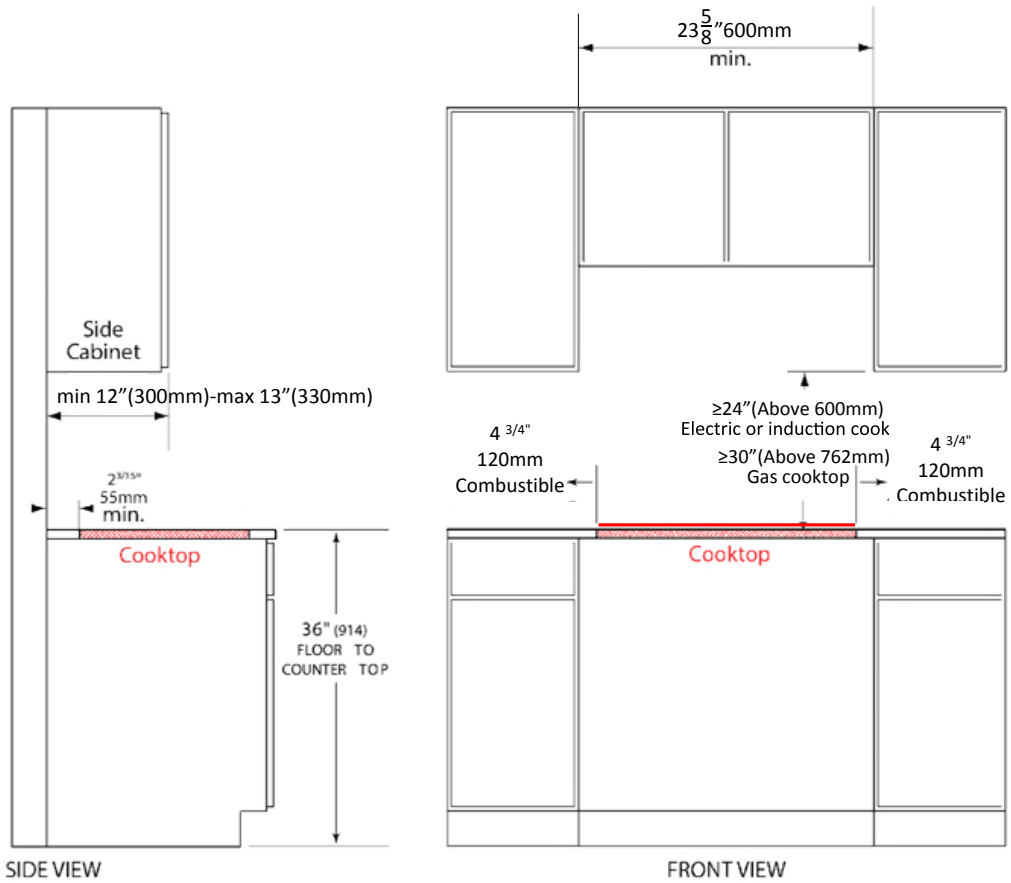
To install the hood with a duct, you will need to provide a hole for the duct.

\*Use diagram below for proper place of ductwork and electrical cutout in cabinet.



# PERFEKT GLIDE 36

## RECOMMENDED CABINET MINIMUM CLEARANCE



# AEG

AEG Appliances are designed and manufactured to the highest standards. Each appliance is covered by a comprehensive 2-year parts and labour warranty.

Refer to product warranty policy for complete terms and conditions.

## FOR PARTS AND SERVICE

Euro-Parts & Service

39822 Belgrave Road, Belgrave, ON. N0G 1E0

1 800 678 8352 (Canada) • 1 800 561 4614 (U.S.)

[www.euro-parts.ca](http://www.euro-parts.ca) • [parts@euro-parts.ca](mailto:parts@euro-parts.ca) • [service@euro-parts.ca](mailto:service@euro-parts.ca)

AEG appliances are imported and distributed in North America by Euro-Line Appliances Inc. For more information, please visit one of our showrooms or

[www.euro-line-appliances.com](http://www.euro-line-appliances.com)   [www.elawest.com](http://www.elawest.com)

## ***EURO-LINE APPLIANCES INC.***

871 Cranberry Court  
Oakville, ON L6L 6J7 Canada  
905 829 3980  
1 800 421 6332

[marketing@euro-line-appliances.com](mailto:marketing@euro-line-appliances.com)

## ***EURO-LINE APPLIANCES WEST INC.***

2912 West 4th Avenue  
Vancouver, BC V6K 1R2 Canada  
604 235 3980  
1 855 ELA WEST (352.9378)

[info@elawest.com](mailto:info@elawest.com)

