

PERFEKT GLIDE 24

24" Built-in Telescopic Range Hood

Perfekt Glide 24

24" Built-in Telescopic Range Hood



RANGE HOOD FEATURES

- 24" (60cm) stainless steel built-in glide-out range hood
- LED lighting
- 2 speed adjustment
- 2 x dishwasher safe honey comb filters
- Electronic push buttons
- Quiet (7 sones/56dB) 300 CFM motor

RANGE HOOD DIMENSIONS

- D: 11" x W: 23^{9/16}"
- D: 279mm x W: 598mm

DUCT SIZE

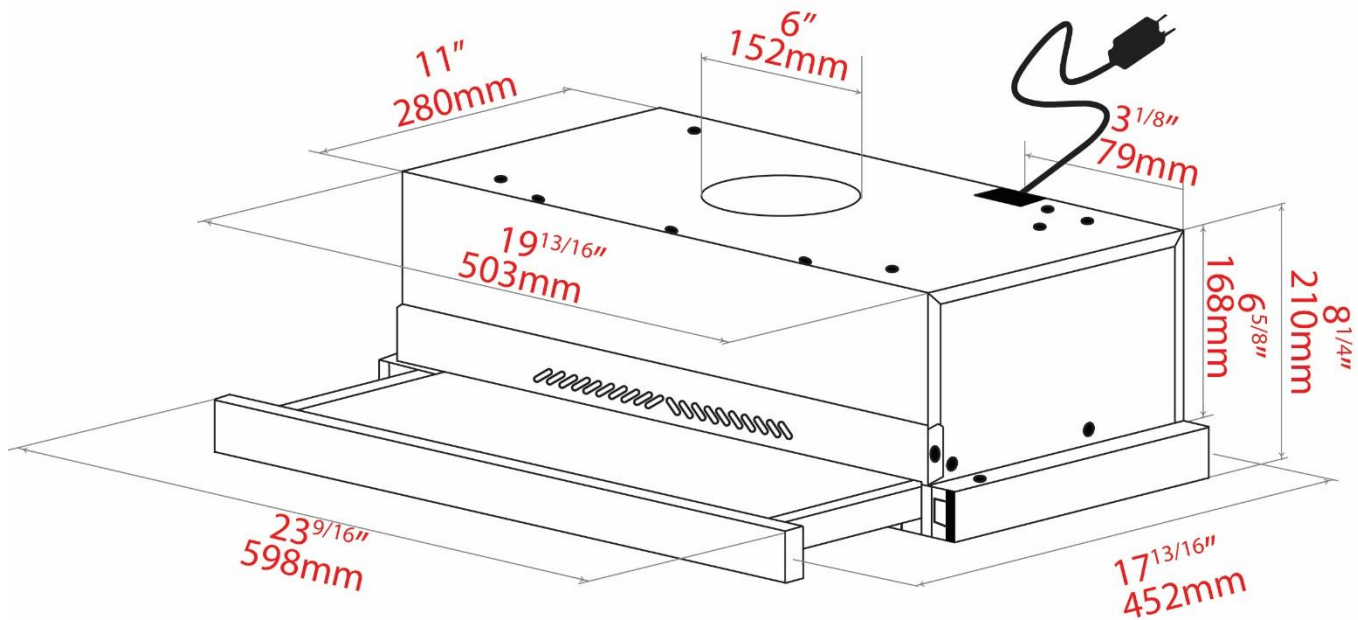
- 6" Duct Adapter Included

ELECTRICAL REQUIREMENTS

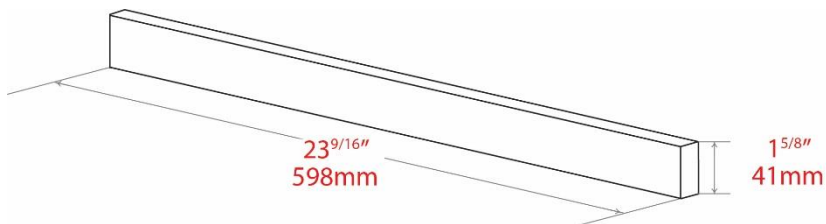
- 115 Volt, 60Hz, 15AMP
- AEG Range Hoods are supplied with a Canadian cord and plug
- Electrical cord located 3^{1/8}" (79mm) from the top right corner of the unit at the rear

Specifications

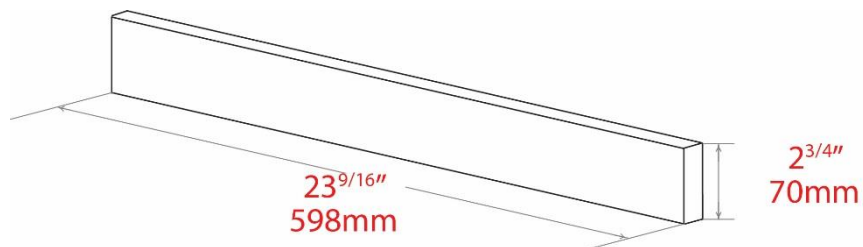
Perfekt Glide 24



FRONT PANEL - DUCTED



FRONT PANEL - RECIRCULATING



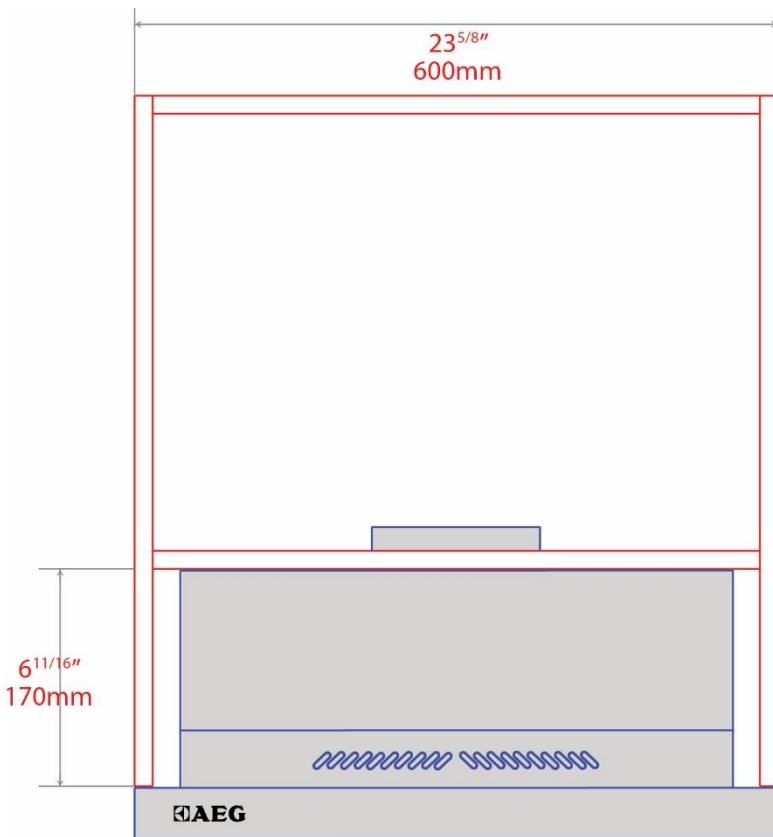
Specifications are subject to change without notice.

Detailed Specification Available at www.aeg-appliances.ca

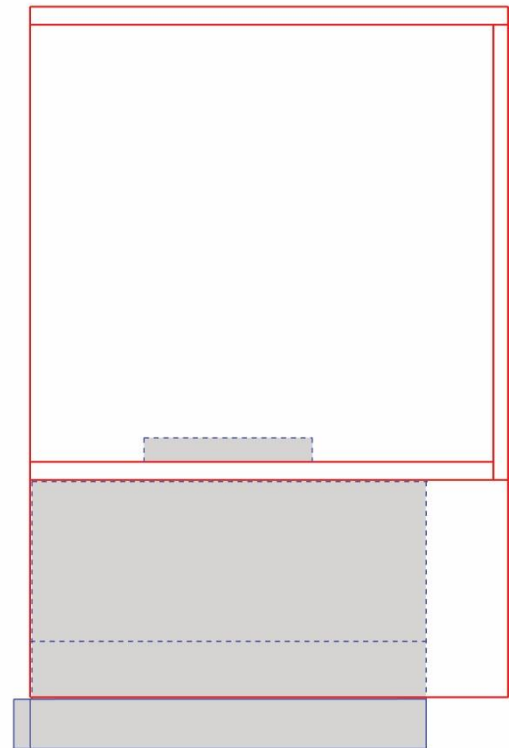
Specifications

Perfekt Glide 24

CABINET DESIGN
DUCTED



FRONT VIEW



SIDE VIEW

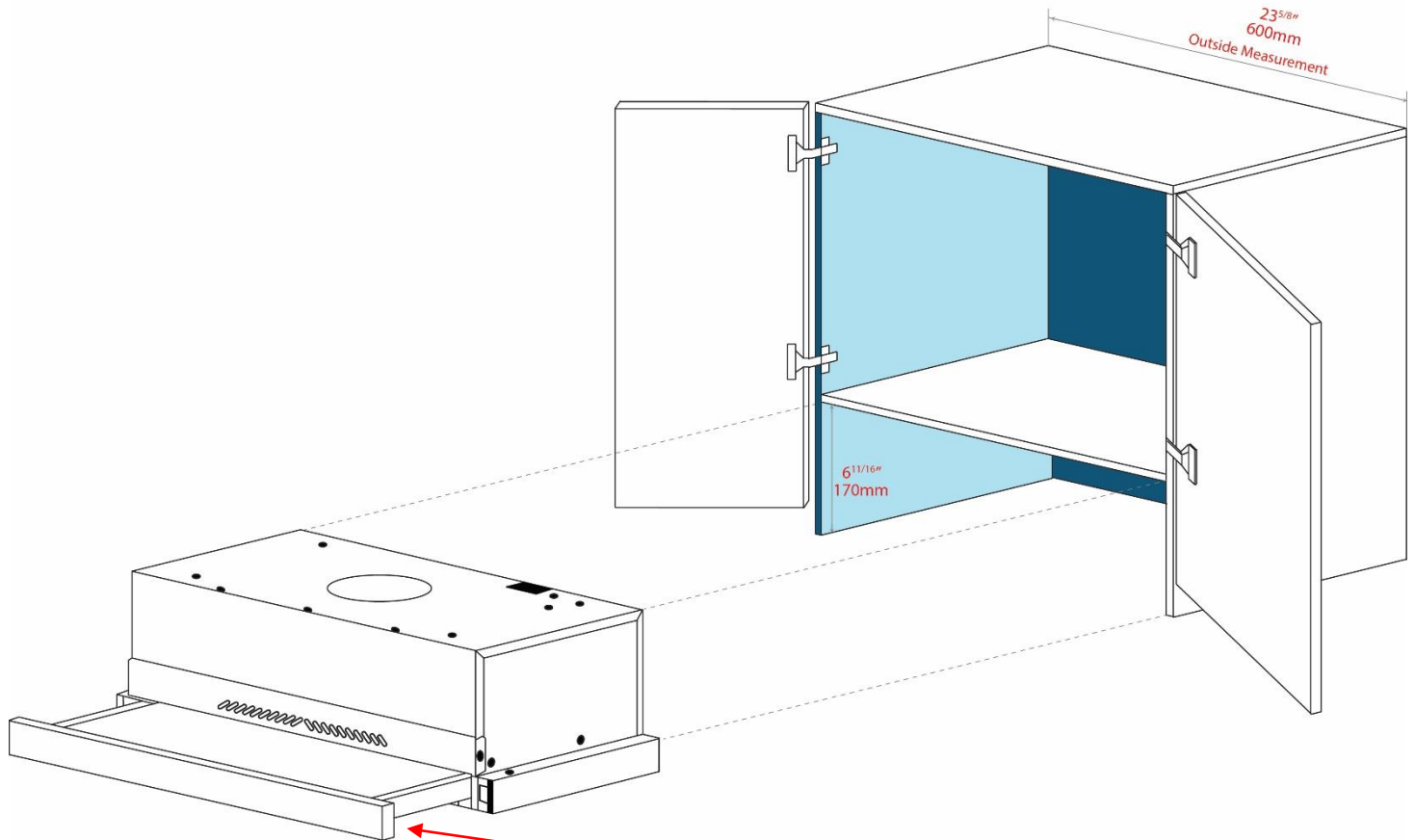
Specifications are subject to change without notice.

Detailed Specification Available at www.aeg-appliances.ca

Specifications

Perfekt Glide 24

CABINET DESIGN
DUCTED



NOTE: Removing the front stainless steel trim

- 1. Pull the visor forward
- 2. Remove the 4 screws holding the visor to the panel
- 3. Install the matching front panel using the 4 screws

Custom panel provided by customer

Specifications are subject to change without notice.

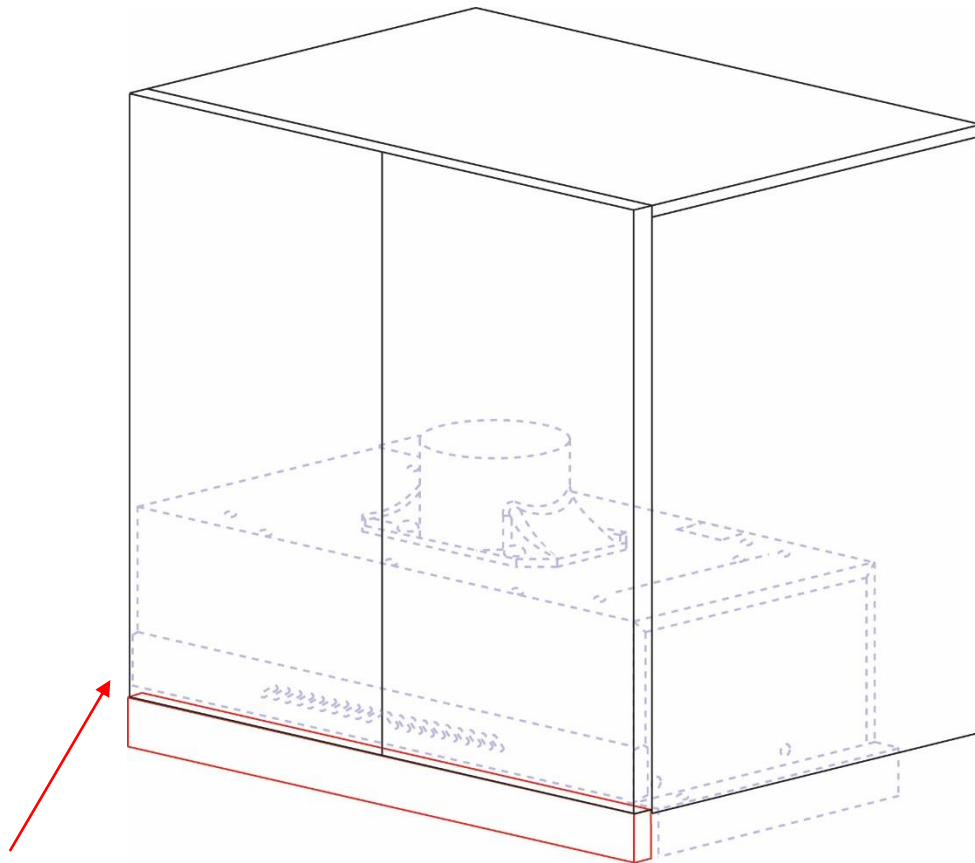
Detailed Specification Available at www.aeg-appliances.ca

Specifications

Perfekt Glide 24

CABINET DESIGN

DUCTED



NOTE: Cabinet Door Panel Height

- Ensure that the cabinet door panel is lengthened to accommodate the smaller sized Range Hood Front Panel

Specifications are subject to change without notice.

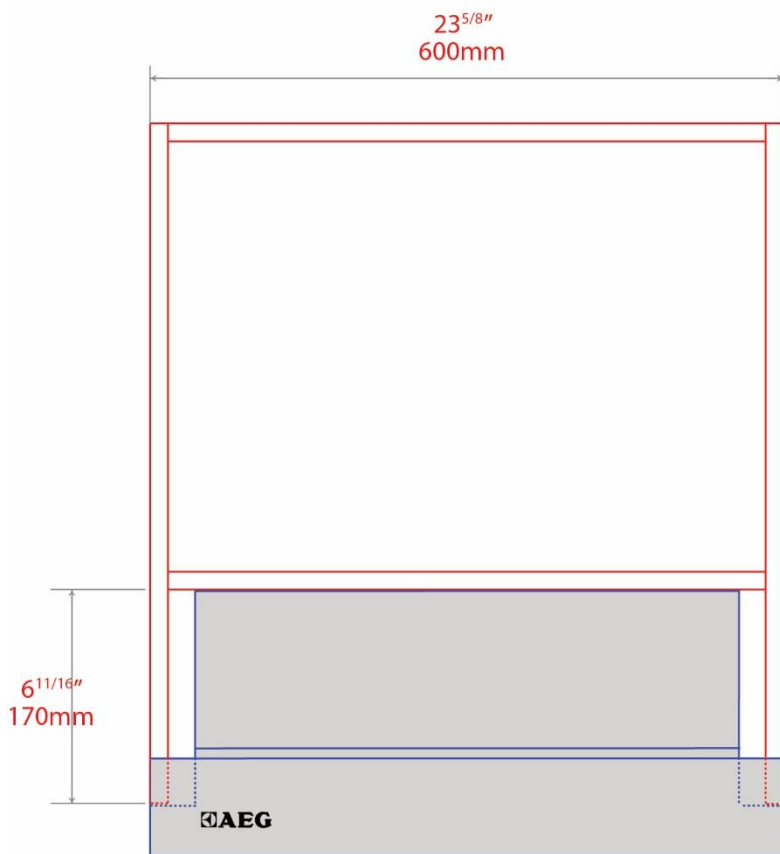
Detailed Specification Available at www.aeg-appliances.ca

Specifications

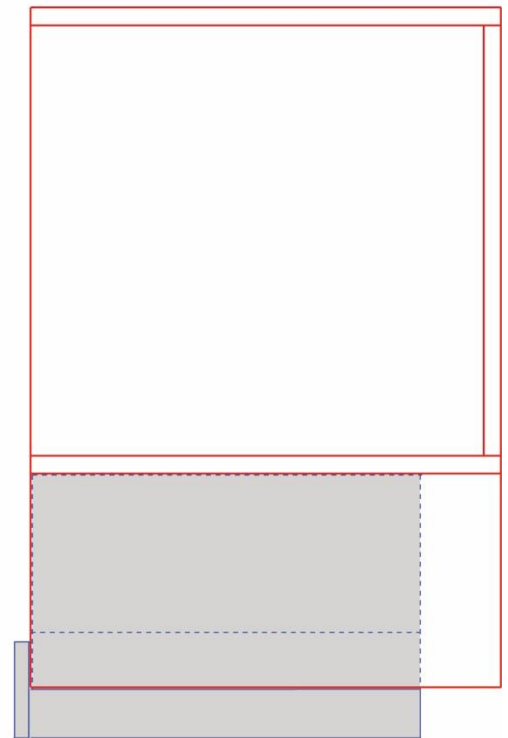
Perfekt Glide 24

CABINET DESIGN

RECIRCULATING



FRONT VIEW



SIDE VIEW

Specifications are subject to change without notice.

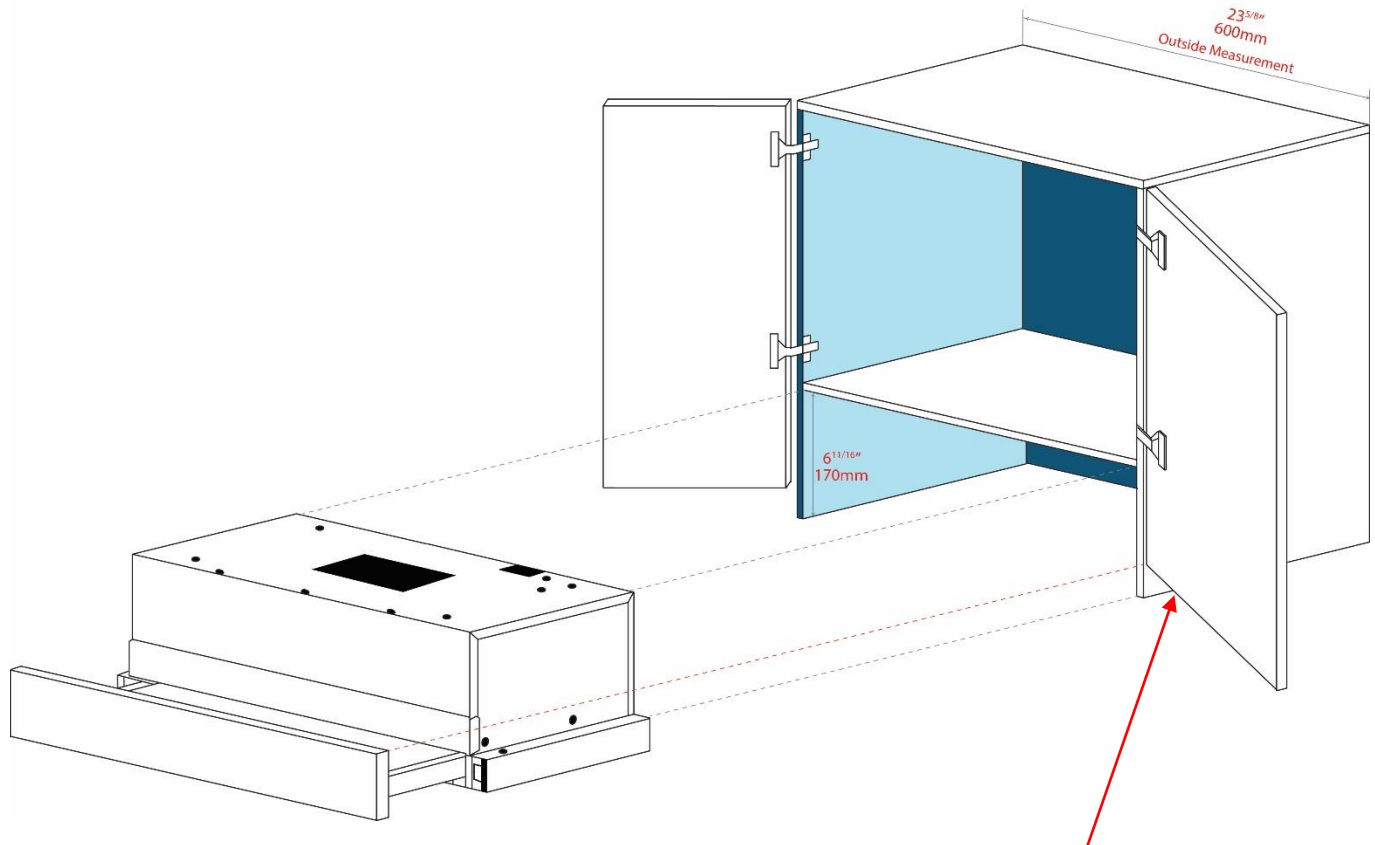
Detailed Specification Available at www.aeg-appliances.ca

Specifications

Perfekt Glide 24

CABINET DESIGN

RECIRCULATING



NOTE: Removing the front stainless steel trim

- 1. Pull the visor forward
- 2. Remove the 4 screws holding the visor to the panel
- 3. Install the matching front panel using the 4 screws

NOTE: Cabinet Door Panel Height

- Ensure that the cabinet door panel is shortened to accommodate the larger sized Range Hood Front Panel

Custom panel provided by customer

Specifications are subject to change without notice.

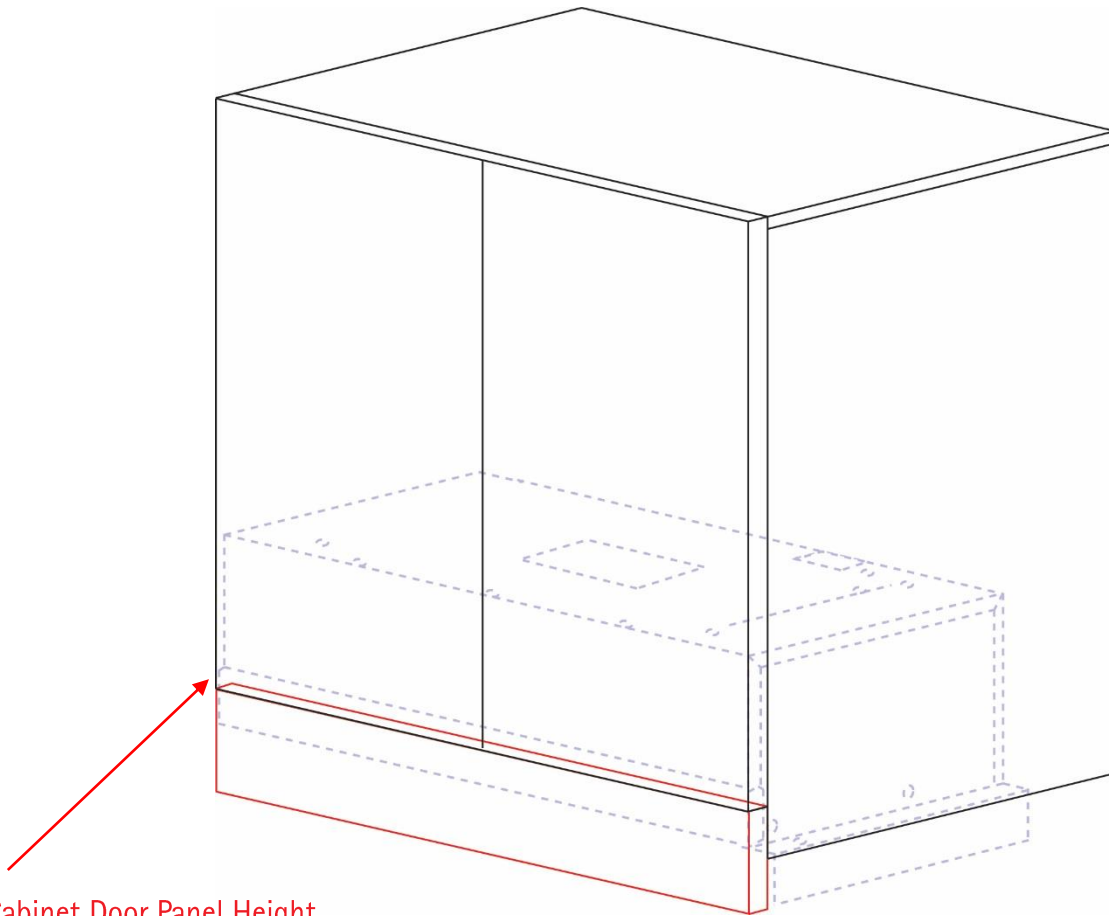
Detailed Specification Available at www.aeg-appliances.ca

Specifications

Perfekt Glide 24

CABINET DESIGN

RECIRCULATING



NOTE: Cabinet Door Panel Height

- Ensure that the cabinet door panel is shortened to accommodate the larger sized Range Hood Front Panel

Specifications are subject to change without notice.

Detailed Specification Available at www.aeg-appliances.ca

AEG products are designed and built to the highest standards.
Each appliance is covered by a comprehensive 2 year parts and labour warranty.

Refer to product warranty policy for complete terms and conditions.

For Service & Parts
EURO-PARTS

39822 Belgrave Rd,
Belgrave, Ontario, Canada,
N0G 1E0

1.800.678.8352

AEG appliances are imported and distributed in North America by Euro-Line Appliances Inc.

For more information visit

www.euro-line-appliances.com / www.elawest.com

EURO-LINE APPLIANCES INC.

871 Cranberry Court
Oakville, ON L6L 6J7
Canada
Toll Free: 1.800.421.6332
Showroom: 905.829.3980
marketing@euro-line-appliances.com

EURO-LINE APPLIANCES WEST INC.

2912 West 4th Ave
Vancouver, BC V6K 1R2
Canada
Toll Free: 1.855.ELA WEST (352.9378)
Showroom: 604.235.3980
info@elawest.com