

*EURO-LINE APPLIANCES INC.*

---

**AEG**

Porter & Charles

**DISHWASHER CONNECTION  
INSTALL**



# TABLE OF CONTENTS

AEG Dishwashers Unit Dimensions & Electrical Requirements .....	1.
F65478VI-S 18" Fully Integrated Dishwasher .....	2.
F89088VI-M-1 24" Stainless Steel Door - Fitted .....	3.
F89088VI-S-1 24" Fully Integrated Dishwasher .....	4.
P&C Dishwashers Unit Dimensions & Electrical Requirements .....	6.
DW18PCFI 24" Compact Dishwasher .....	7.
DWTPC5FCSS 24" Dishwasher .....	8.
DWTPC10SS 24" Stainless Steel Dishwasher .....	9.
DWTPC10FI 24" Fully Integrated Dishwasher .....	10.
DW4SS/FI 24" Compact Dishwasher .....	11.
Connection Placements Hose, Electrical, & Drain .....	13.
Appliance Guarantee & Warranty .....	17.



## UNIT DIMENSIONS

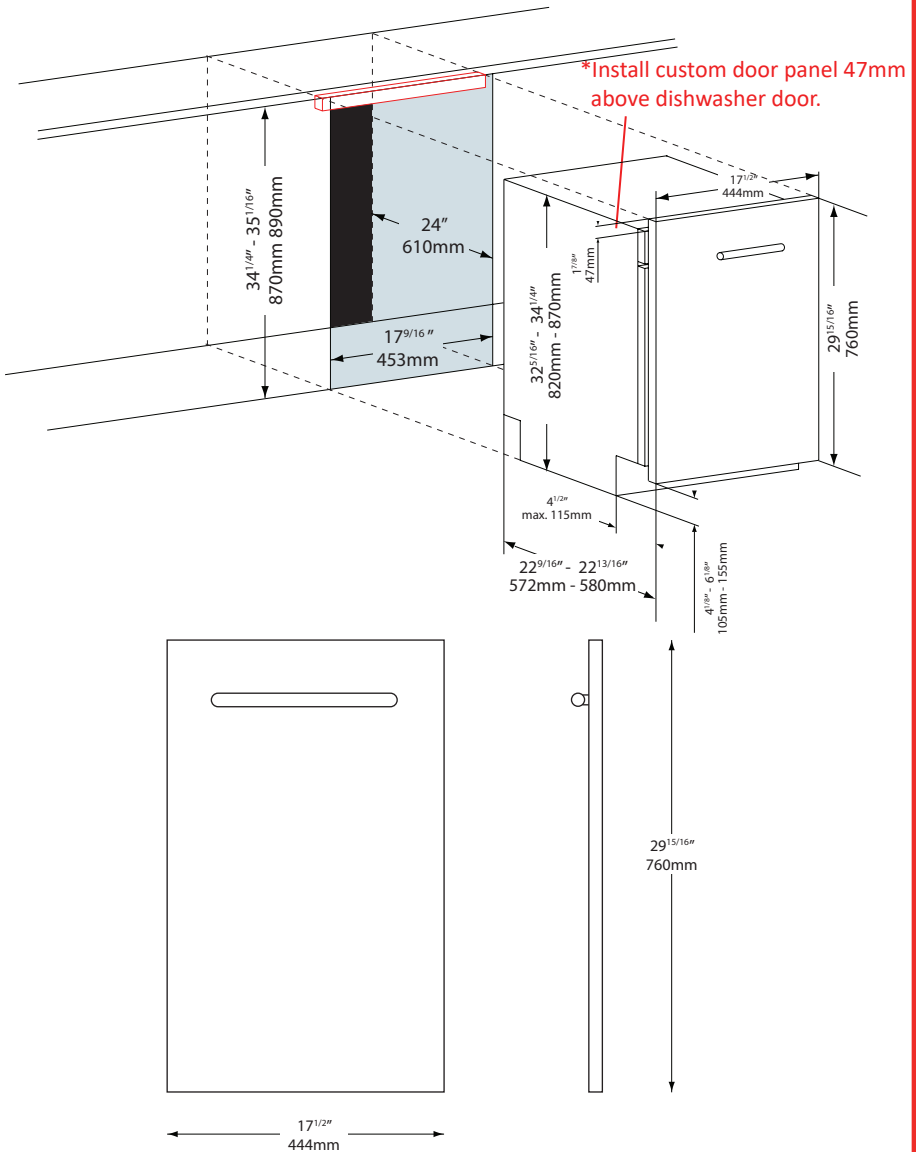
MODEL	HEIGHT	WIDTH	DEPTH
<b>F89088VI-M-1</b>	86cm- 91cm 33 <sup>7/8</sup> " - 35 <sup>13/16</sup> "	59.7cm- 59.9cm 23 <sup>1/2</sup> " - 23 <sup>9/16</sup> "	57cm 22 <sup>7/16</sup> "
<b>F89088VI-S-1</b>	86cm- 91cm 33 <sup>7/8</sup> " - 35 <sup>13/16</sup> "	59.7cm- 59.9cm 23 <sup>1/2</sup> " - 23 <sup>9/16</sup> "	55cm 21 <sup>5/8</sup> "
<b>F65478VI-S</b>	82cm- 87cm 32 <sup>1/4</sup> " - 34 <sup>1/4</sup> "	44.7cm- 44.9cm 17 <sup>5/8</sup> " - 17 <sup>11/16</sup> "	55cm 21 <sup>5/8</sup> "

## ELECTRICAL REQUIREMENTS

MODEL	VOLTAGE	FREQUENCY	RECEPTACLE REQUIRED	WATTAGE
<b>F89088VI-M-1</b>	115v	60hz	15AMPS	1300W
<b>F89088VI-S-1</b>	115v	60hz	15AMPS	1300W
<b>F65478VI-S</b>	115v	60hz	15AMPS	1300W

# F65478VI-S

## 18" Fully Integrated



### Panel Dimensions / Weight

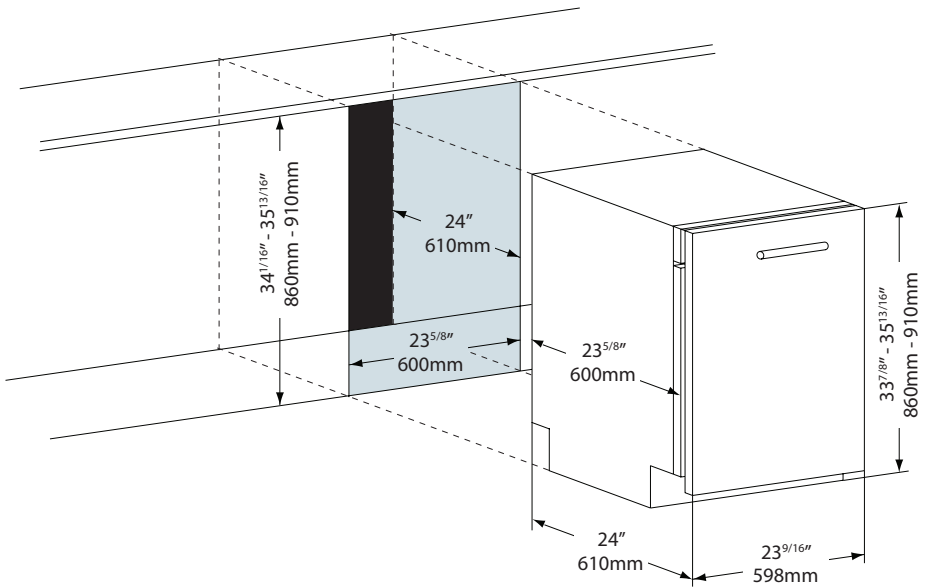
Applied Panel Width: 17<sup>1/2</sup>" / 444 cm

Panel Height: Max 29<sup>15/16</sup>" / Max. 760 cm

Custom Panel Weight **MUST NOT EXCEED 7KG**

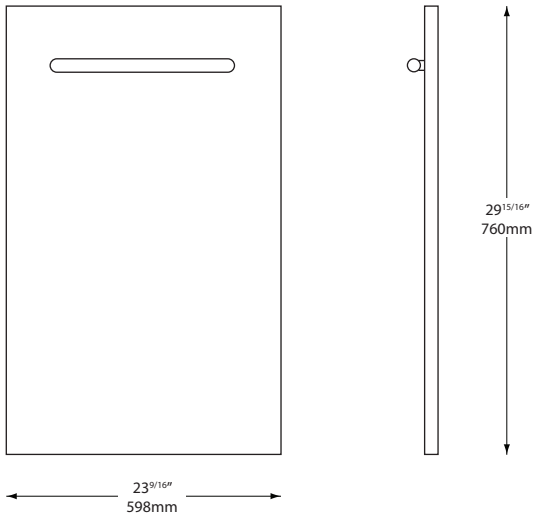
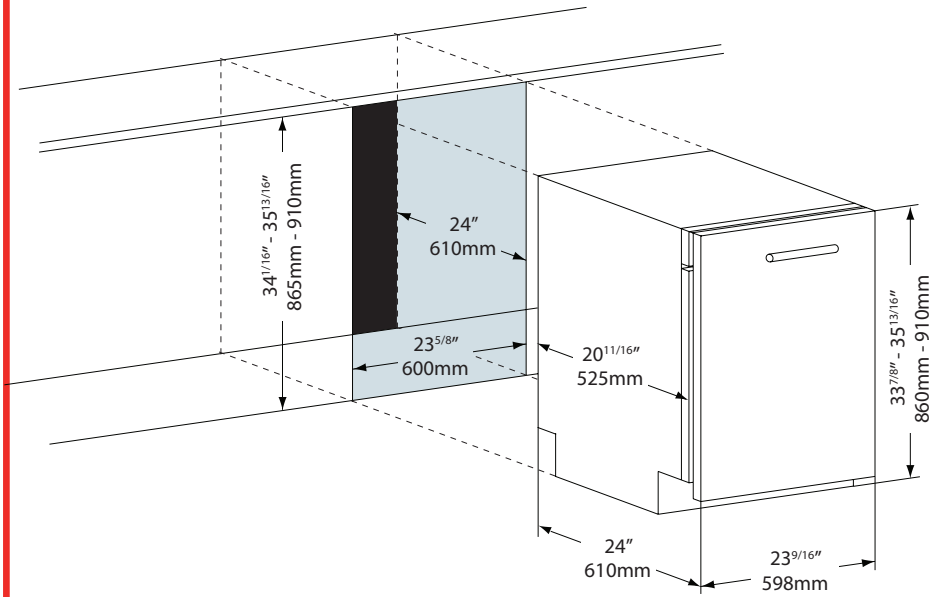
# F89088VI-M-1

## 24" Stainless Steel Door - Fitted



# F89088VI-S-1

## 24" Fully Integrated



### Panel Dimensions / Weight

Applied Panel Width:  $23\frac{9}{16}''$  / 598 cm

Panel Height: Max  $29\frac{15}{16}''$  / Max. 760 cm

Custom Panel Weight **MUST NOT EXCEED 8KG**





## UNIT DIMENSIONS

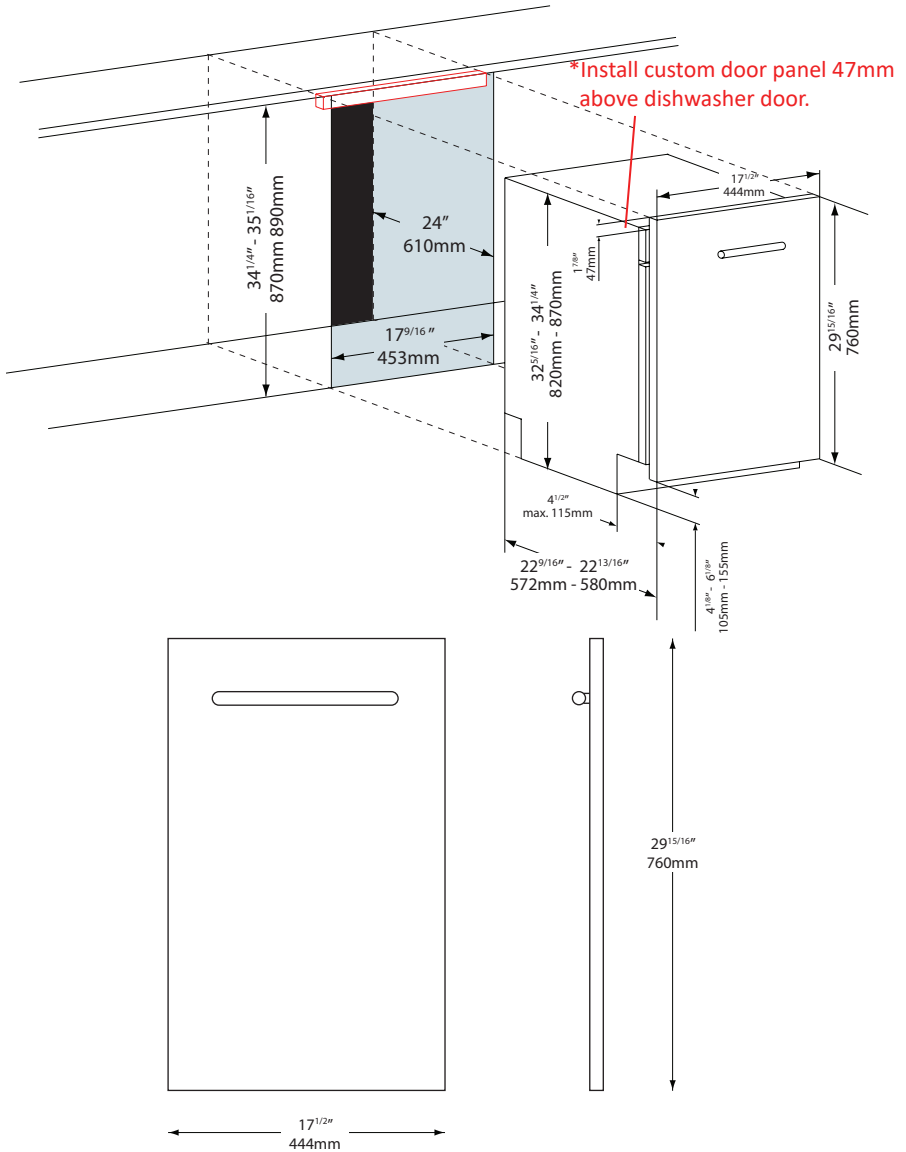
MODEL	HEIGHT	WIDTH	DEPTH
DW18PCFI	82cm- 87cm 32 <sup>1/4</sup> " - 34 <sup>1/4</sup> "	44.7cm-44.9cm 17 <sup>5/8</sup> " -17 <sup>11/16</sup> "	55cm 21 <sup>5/8</sup> "
DWTPC10FI/SS	86cm - 91cm 33 <sup>7/8</sup> " - 35 <sup>13/16</sup> "	59.7cm-59.9cm 23 <sup>1/2</sup> " - 23 <sup>9/16</sup> "	55cm 21 <sup>5/8</sup> "
DWTPC5FCSS	82cm- 87cm 32 <sup>1/4</sup> " - 34 <sup>1/4</sup> "	59.7cm-59.9cm 23 <sup>1/2</sup> " - 23 <sup>9/16</sup> "	55cm 21 <sup>5/8</sup> "
DW4SS/FI	43.8cm 17 <sup>1/4</sup> "	55cm 23 <sup>5/8</sup> "	50cm 19 <sup>11/16</sup> "

## ELECTRICAL REQUIREMENTS

MODEL	VOLTAGE	FREQUENCY	RECEPTACLE REQUIRED	WATTAGE
DW18PCFI	115v	60hz	15AMPS	1300W
DWTPC5FCSS	115v	60hz	15AMPS	1300W
DWTPC10FI/SS	115v	60hz	15AMPS	1300W
DW4SS/FI	115v	60hz	15AMPS	1280W

# DW18PCFI

## 18" Fully Integrated Dishwasher



### Panel Dimensions / Weight

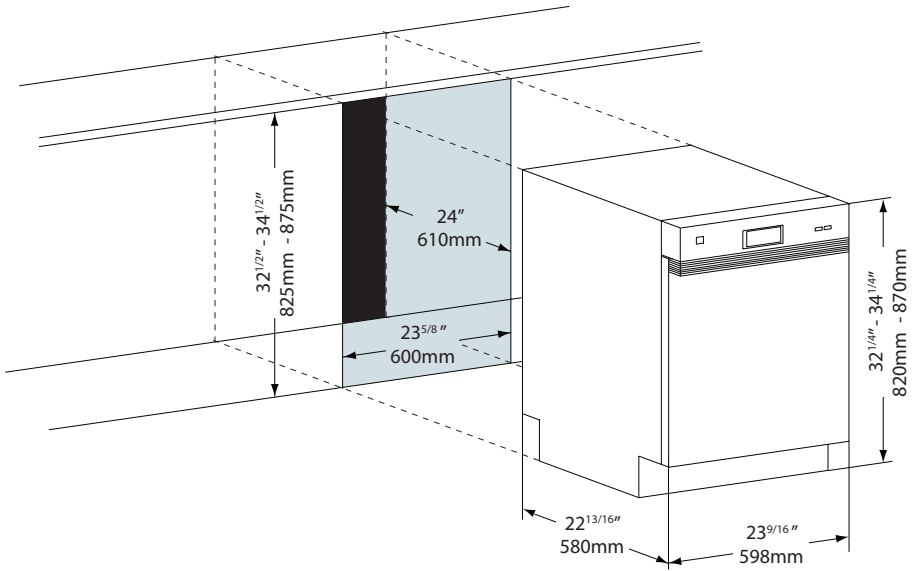
Applied Panel Width: 17<sup>1/2</sup>" / 444 cm

Panel Height: Max 29<sup>15/16</sup>" / Max. 760 cm

Custom Panel Weight **MUST NOT EXCEED 7KG**

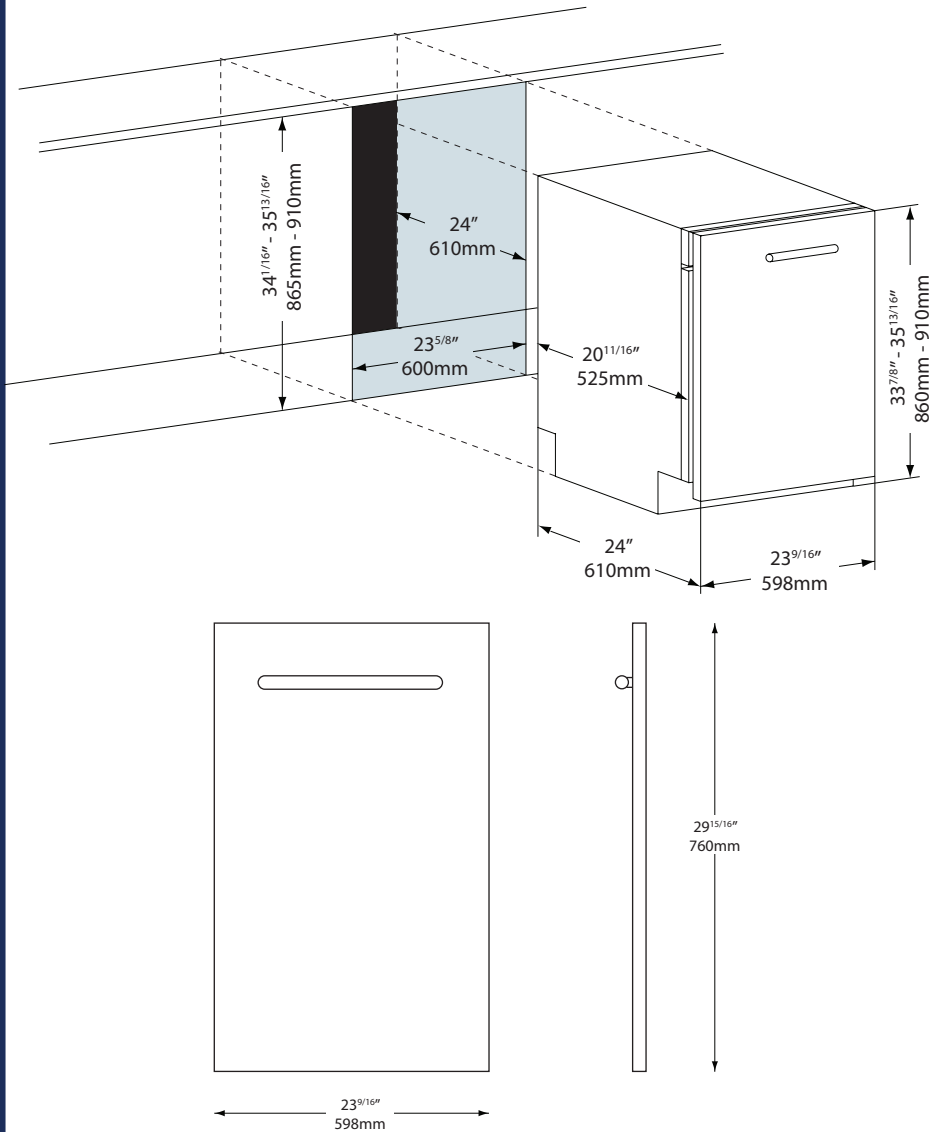
# DWTPC5FCSS

## 24" Dishwasher



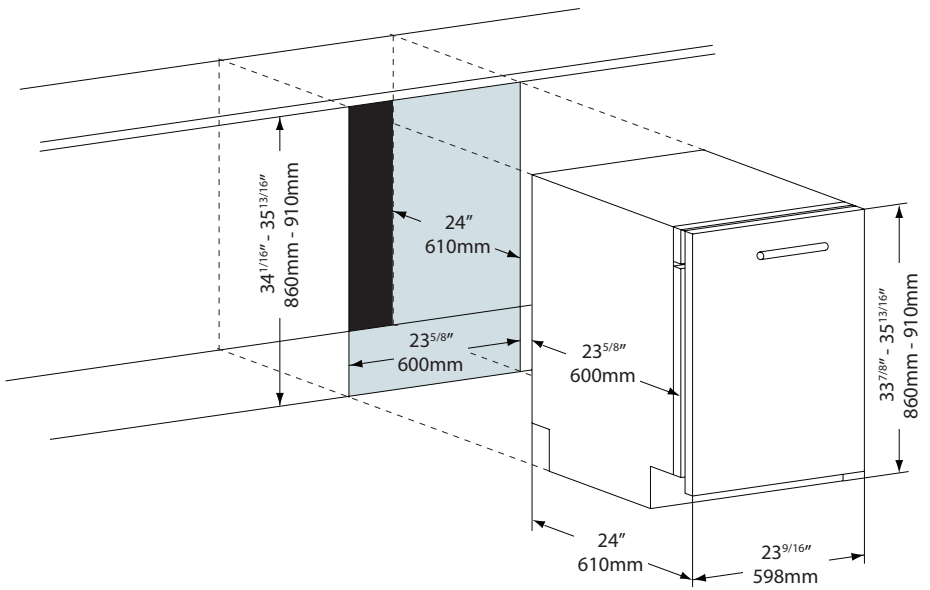
# DWTPC10SS

## 24" Stainless Steel Dishwasher



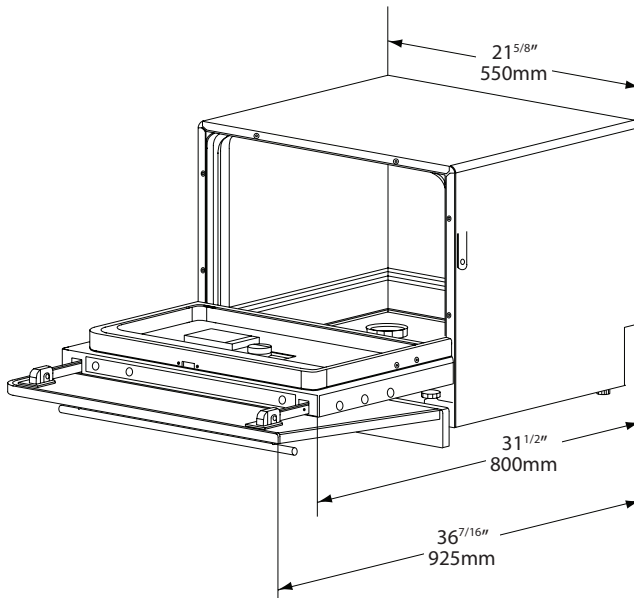
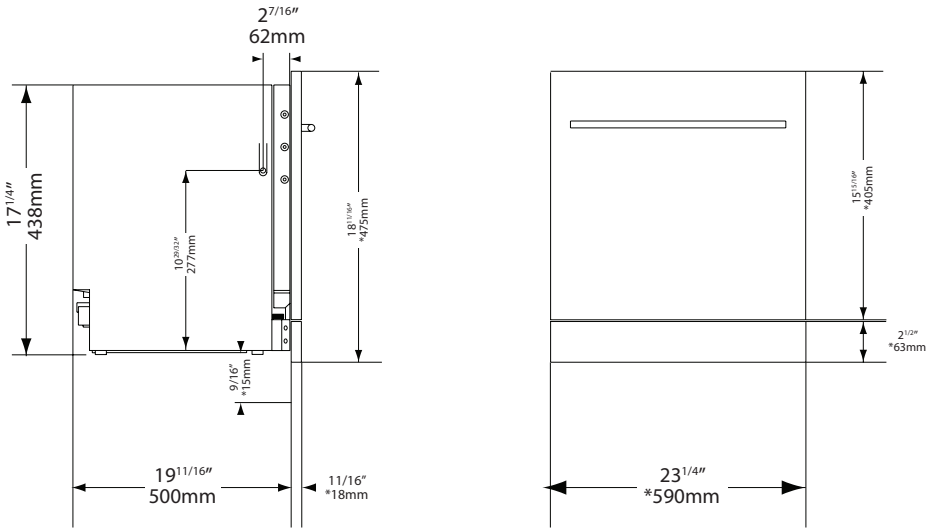
# DWTPC10FI

## 24" Fully Integrated Dishwasher



# DW4SS/FI

## 24" Compact Dishwasher



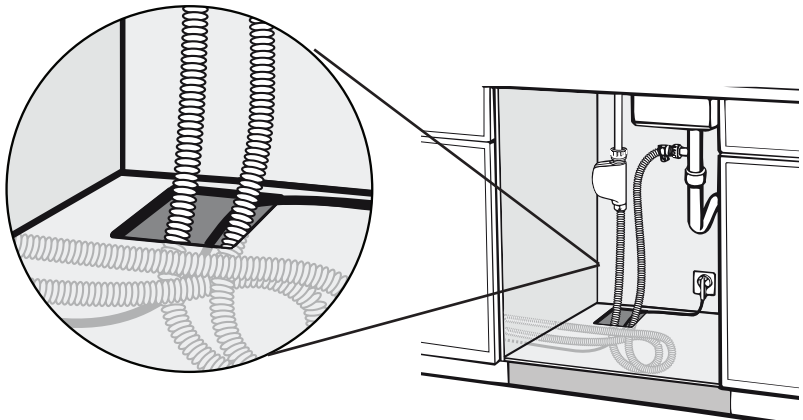
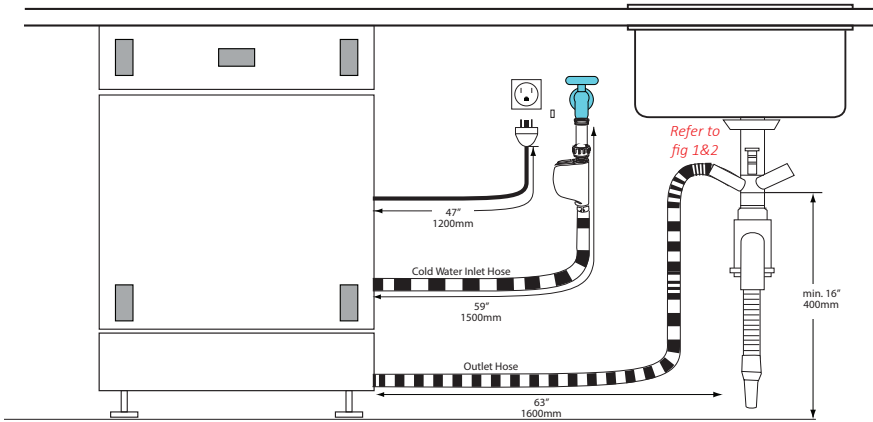


# CONNECTION PLACEMENTS

- \* Connections must never be placed behind the appliance.
- \* Make sure the hoses and power supply cord are not bent or crushed.

## RECOMMENDED CONNECTION PLACEMENTS & DISTANCES

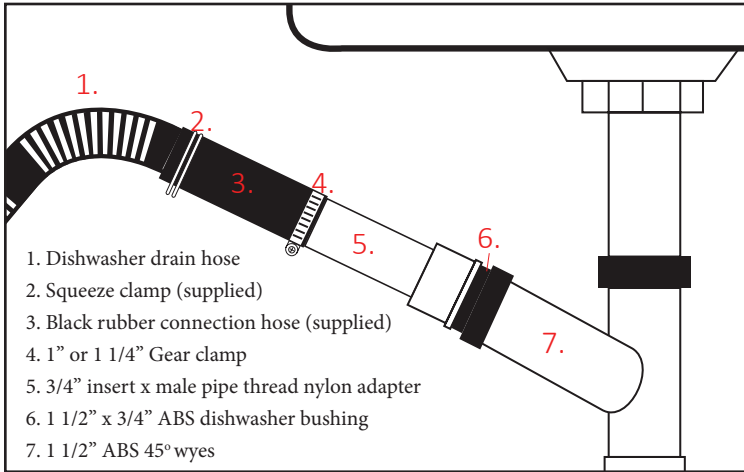
- \* Refer to *fig 1. & Fig2.* for detailed outlet hose connection.



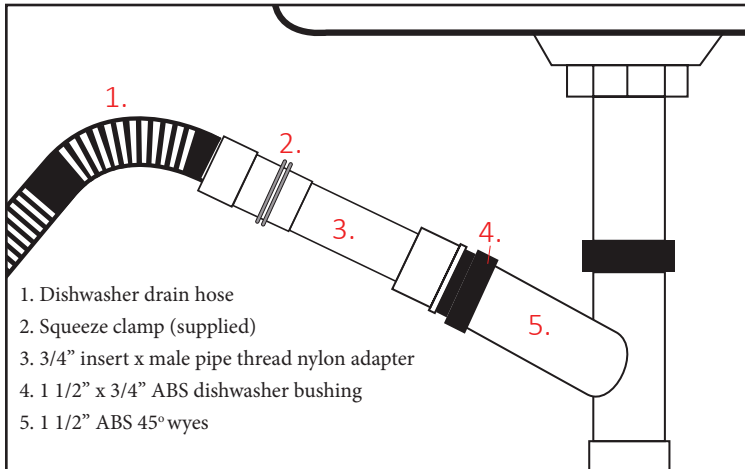
- \* If connections are located in an adjacent space/cabinet, a through hole with a minimum of 8cm x 8cm ( 3 1/8" x 3 1/8") is needed.



**fig 1. Connecting the drain hose with a hard plastic end**



**fig 2. Connecting the drain hose with a soft plastic end**

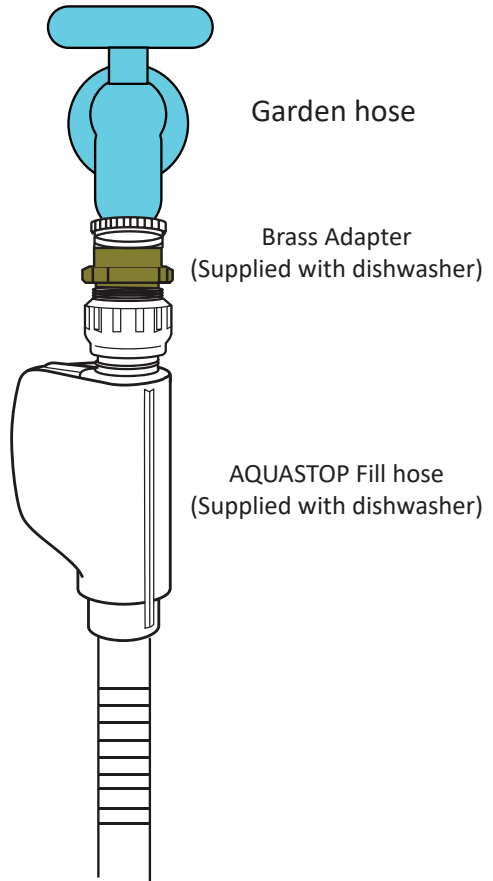
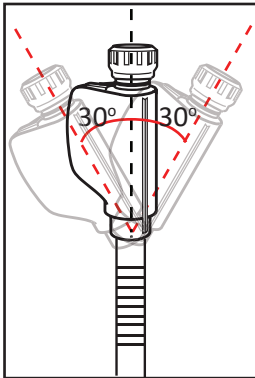


## CONNECTING AQUASTOP INLET HOSE TO THE DISHWASHER

### Method1: Garden hose install

- \* Use the brass adapter provided with the dishwasher to connect the garden hose outlet to the Aquastop fill hose.
- \* The brass adapter allows for the connection of a 3/4" GHT to a 3/4 metric thread.

\* The AQUASTOP angle must not be more than 30° from the vertical for full functionality.

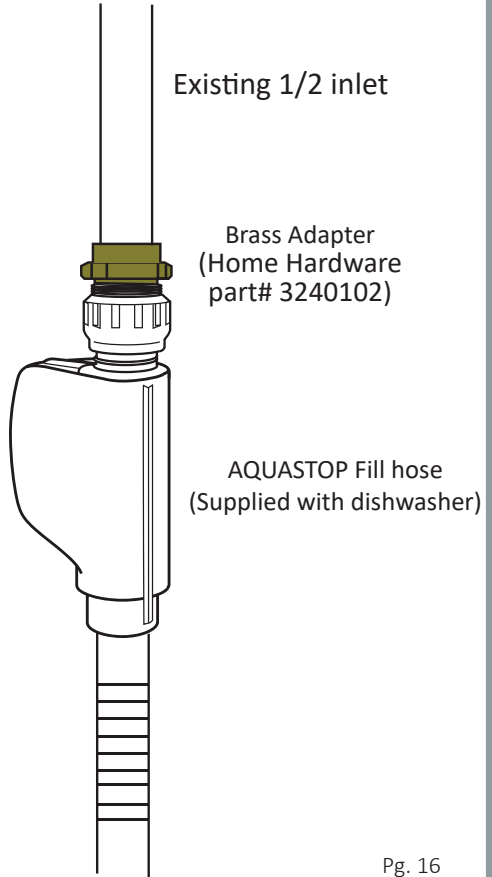
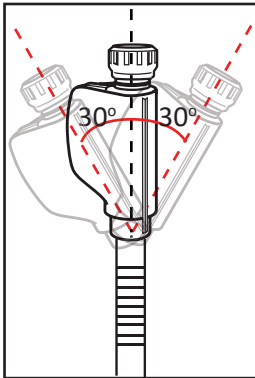


# CONNECTING AQUASTOP INLET HOSE TO THE DISHWASHER

## Method2: Connecting to existing 1/2" inlet

- \* A brass adapter that can be purchased from Home Hardware (part# 3240102).
- \* The brass adapter allows for the connection of a 1/2" inlet to a 3/4" metric thread.

\* The AQUASTOP angle must not be more than 30° from the vertical for full functionality.



# GUARANTEE/CUSTOMER SERVICE CENTRES

EURO-LINE APPLIANCES INC.

## LENGTH OF WARRANTY

TWO YEAR FULL WARRANTY from original date of purchase, including parts and labour, to the first purchaser of this appliance. When the appliance is installed, operated, and maintained according to the instructions attached to or provided with the product, EURO-LINE APPLIANCES will pay for replacement parts and/or labour to repair defects in materials or workmanship. Service must be provided by an authorized Euro-Line company (unless advised otherwise). This warranty is void if the consumer attempts to repair the appliance or has someone other than an authorized person try to repair it. The sole and exclusive remedy under this warranty shall be product service and repair as provided herein. THIS GUARANTEE DOES NOT COVER COMMERCIAL USE.

## EXCEPTIONS:

EURO-LINE APPLIANCES WILL NOT PAY FOR THE FOLLOWING SERVICE CALLS:

1. To install or correct the installation of an appliance
2. To provide instruction on the use of an appliance.
3. To replace house fuses, re-set circuit breakers or correct house wiring.
4. To correct house plumbing.
5. To clean drains, filters or garbage disposals.
6. To repair an appliance if it fails due to misuse or abuse.
7. To repair cosmetic damage to the appliance, unless such damage results from a defect in the workmanship or materials. Such damage must be reported to EURO-LINE APPLIANCES within 5 days from the date of purchase.

The consumer shall ensure that it keeps all drains clear, that it replaces all filters in accordance with the manufacturer's specifications and ensures that all electrical wiring meets local codes and conforms to the manufacturer's specifications. In no event will EURO-LINE APPLIANCES or its parents, subsidiaries or affiliates be responsible for (i) damages which are caused, in whole or in part, by the consumer's failure to comply with the foregoing obligations, (ii) incidental, consequential, punitive, exemplary or special damages, or (iii) damages in excess of the price paid for the product for which a claim is made. For warranty service and parts, contact EURO-PARTS. Service will be provided during normal business hours. Should you have a service problem that is not resolved locally, contact:

For Service and Parts Contact:

**EURO-PARTS, USA**

Tel: 1-800-561-4614

Fax: 1-519-528-5001

**EURO-PARTS, CANADA**

Tel: 1-800-678-8352

Fax: 1-519-528-5001

**EURO-LINE APPLIANCES**

1-800-421-6332

Tel. Direct: 1-905-829-3980

Fax: 1-905-829-3985

## USER INSTRUCTIONS & INSTALLATION MANUAL

### Service & Repair

To save you time and money please have the following information ready in case you have to call for service:

- Name of the dealer from whom you purchased the appliance
- Model number (shown on the rating plate)
- Serial number (shown on the rating plate)
- Date of purchase

You should also retain the original purchase receipt to support any claim made under the warranty. (We suggest you staple the receipt to this page.)

If service is required, contact the Service Center:

### **EURO-PARTS, CANADA**

Tel: 1-800-678-8352

Fax: 1-519-528-5001

### **EURO-PARTS, USA**

Tel: 1-800-561-4614

Fax: 1-519-528-5001

### **DISTRIBUTED BY EURO-LINE APPLIANCES INC.**

871 Cranberry Court, Oakville, ON, Canada L6L 6J7

Toll Free: 1-800-421-6332

Tel: 905-829-3980

Fax: 905-829-3985

[www.euro-line-appliances.com](http://www.euro-line-appliances.com)

# NOTES

---

**DISTRIBUTED BY EURO-LINE APPLIANCES INC.**

871 Cranberry Court, Oakville, ON, Canada L6L 6J7

Toll Free: 1-800-421-6332

Tel: 905-829-3980

Fax: 905-829-3985

[www.euro-line-appliances.com](http://www.euro-line-appliances.com)