

24" Fully Integrated Stainless Steel Trim Kit (1-Piece)



Available Finishes/Colors

- MWTK60
Stainless Steel

OVERVIEW

Create a finished look for your microwaves that are placed within a cabinet opening. This easy-to-install trim kit features a smooth clean finish that instantly gives your kitchen a modern makeover.

FEATURES

One piece stainless steel trim kit to fit a 24" (60cm) cabinet opening

Provides an integrated look for added style in your kitchen

Offers a stylish appearance with a stainless steel finish

Compatible with Panasonic 1.6 cu.ft. Microwaves (models: Panasonic NNSD78LS, NNSD76S or equivalent)

Works well in an appliance tower over a built-in oven, or under-counter

TECHNICAL DETAILS

Product Dimensions In/mm (W/H)

23^{1/2}" / 15^{1/16}"

597mm / 383mm

Cut-Out Dimensions In/mm (W/H)

22^{1/16}" / 14^{5/16}"

560mm / 363mm

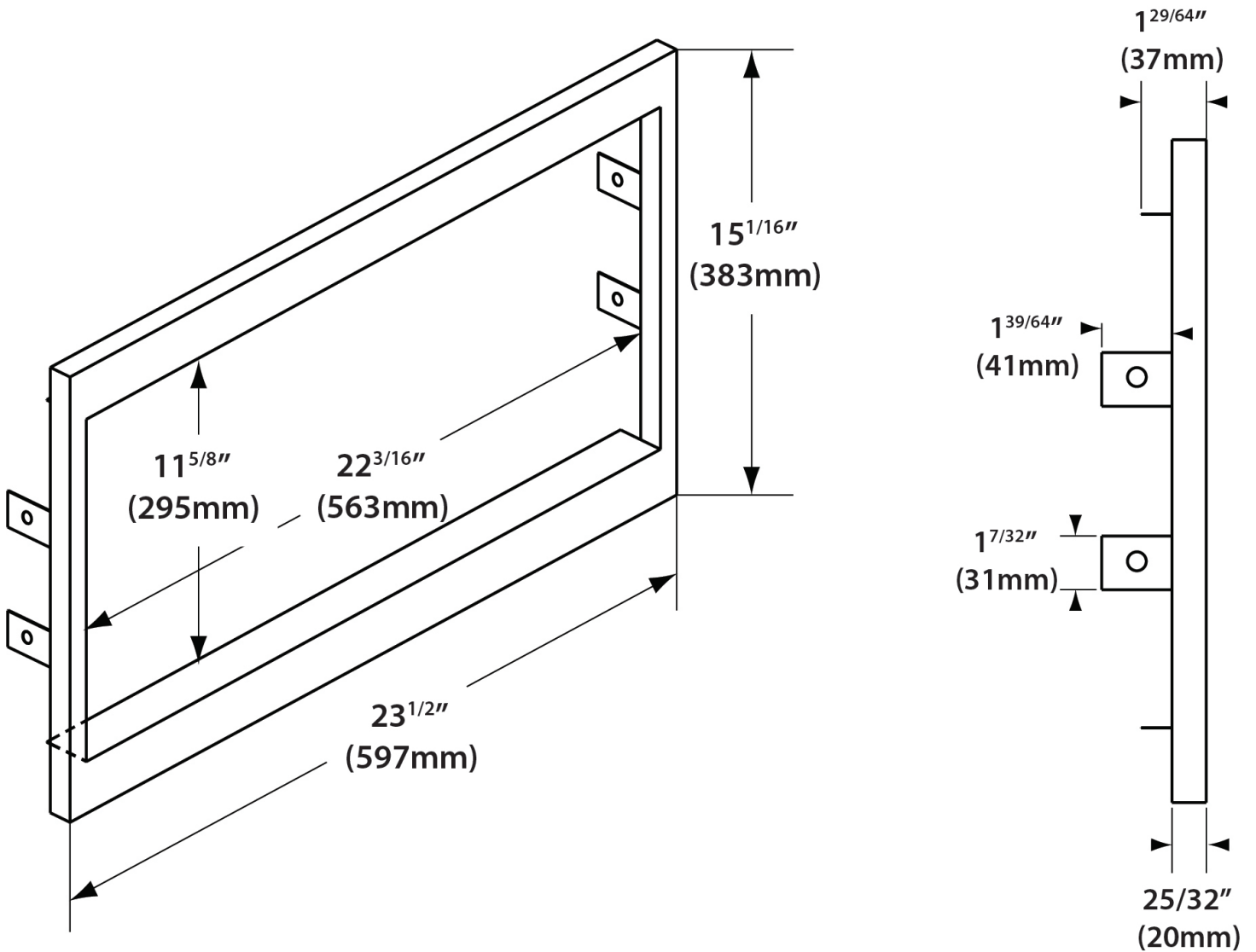
Installation Details

PRODUCT DIMENSIONS (WxH - IN/MM)

Width: $23\frac{1}{2}"$ x Height: $15\frac{1}{16}"$
 Width: 597mm x Height: 383mm

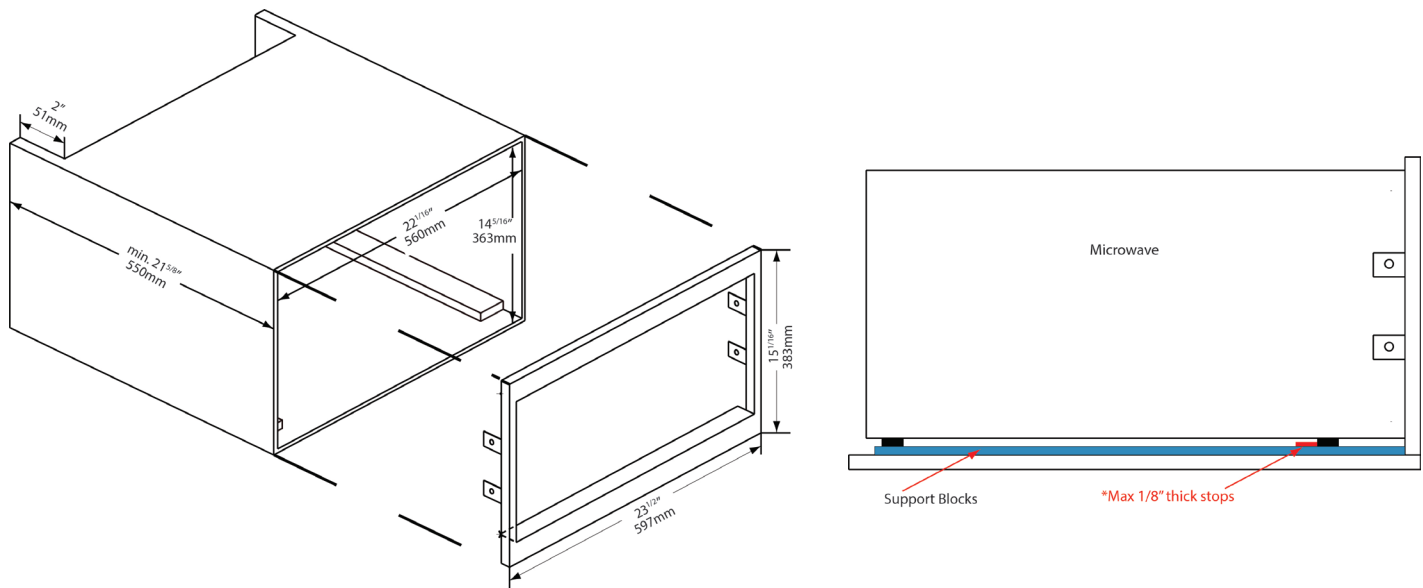
CUT OUT DIMENSIONS (WxH - IN/MM)

Width: $22\frac{1}{16}"$ x Height: $14\frac{5}{16}"$
 Width: 560mm x Height: 363mm



VOID CUT-OUT

1. Unscrew the 4 screws holding the 2 pieces of wood in place, and retain the screws
2. Hold the MWTK-60 in place and position the 2 pieces of wood against the cabinet sides and against the MWTK. Remove the MWTK
3. Screw the 2 pieces of wood onto the base of the cabinet. The wooden strips should touch the inside of the front of the MWTK-60, and be aligned against the side gables. (wooden stripes 18"= 46cm apart)
4. Being careful not to scratch the microwave door, lift the microwave onto the wooden strips, and move it back about 2 inches.
5. Place the MWTK-60 into position. Use the 4 screws and screw them through the flanges into the side gables.
6. Pull the microwave forward, and align the front of the microwave with the front of the MWTK-60
7. To stop the microwave from sliding backwards whilst opening it might be necessary to attach a piece of wood behind the feet of the microwave, on the wooden supports
8. Air must be able to flow from the microwave upwards and into the room, or roof space. Failure to comply will void the manufacturer's warranty on the microwave oven.



AEG

WARRANTY INFORMATION

AEG Appliances are designed and manufactured to the highest standards. Each appliance is covered by a comprehensive 2-year parts and labour warranty. Refer to product warranty policy for complete terms and conditions.

FOR PARTS & SERVICE

Euro-Parts & Service

39822 Belgrave Road, Belgrave, ON. N0G 1E0 1 866 722 2262
www.euro-parts.ca • parts@euro-parts.ca • service@euro-parts.ca

AEG appliances are imported and distributed in North America by Euro-Line Appliances Inc.
For more information, please visit one of our showrooms or www.ela.ca / www.elawest.ca

EURO-LINE APPLIANCES INC.

871 Cranberry Court
Oakville, ON L6L 6J7 Canada
905.829.3980
1-800.421.6332
info@ela.ca

EURO-LINE APPLIANCES INC.

101-1014 Homer Street
Vancouver, BC V6B 2W9 Canada
604.235.3980
1-855.352.9378
infowest@ela.ca