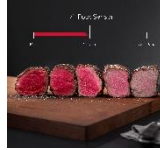


**BCK330050M**  
**24" Built-in Multi-function Oven**

**AEG**

## BCK330050M

### 24" Built-in Multi-function Oven



#### PERFECT COOKING EVERY TIME

Every meal should be an experience. TrueFan Convection distributes heat evenly throughout the oven ensuring perfect cooking temperatures.



#### MASTER THE WAY YOU COOK

8 different cooking functions allow you master the finer art of cooking. Everything from making bread and pastries to your holiday dinners.

#### OVEN FEATURES

- 71 Litre usable oven capacity
- 8 cooking functions
- Control knobs
- Anti-fingerprint stainless steel
- ISOFRONT® triple glazed glass door
- Inclined FloodLight™ focuses 100% on the food
- Fan controlled defrosting
- Base heat finishing
- Conversion chart on inner door
- Cooling fan

#### TECHNICAL SPECS

- Heat activated catalytic liners for continuous clean
- 3500 Watts, 240v, 20AMPS, 60Hz
- Temperature range: 100°F – 530°F

#### OVEN ACCESSORIES

- Wire shelf
- Combi bake/roast pan

# BCK330050M

## PROGRAMS



TRUE FAN CONVECTION COOKING



GRILL



TRUE FAN + BOTTOM HEAT / PIZZA SETTING



GRILL + FAN



CONVENTIONAL COOKING



MOIST FAN BAKING



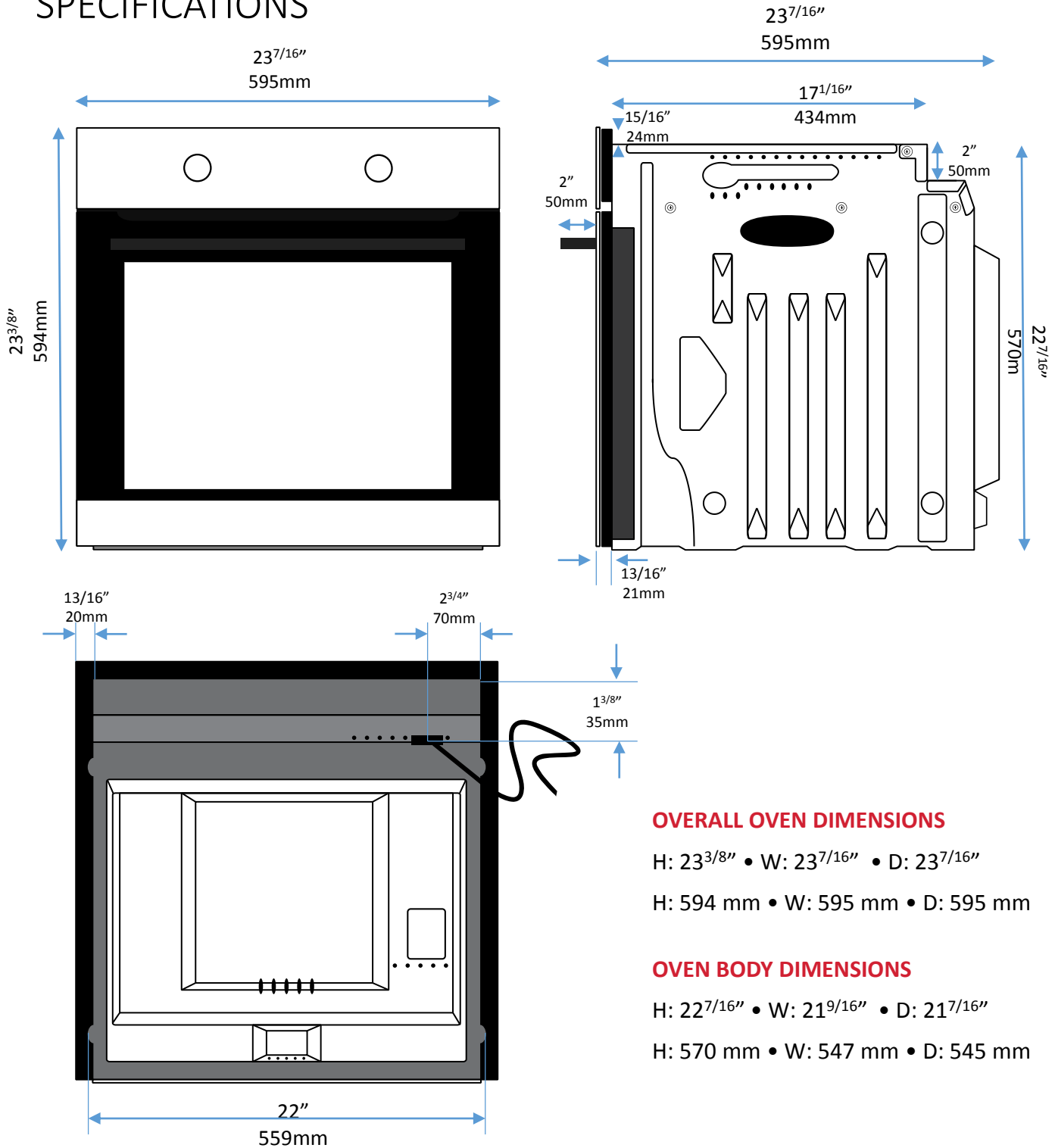
BOTTOM HEAT



DEFROST

## BCK330050M

### SPECIFICATIONS



#### OVERALL OVEN DIMENSIONS

H:  $23\frac{3}{8}"$  • W:  $23\frac{7}{16}"$  • D:  $23\frac{7}{16}"$

H: 594 mm • W: 595 mm • D: 595 mm

#### OVEN BODY DIMENSIONS

H:  $22\frac{7}{16}"$  • W:  $21\frac{9}{16}"$  • D:  $21\frac{7}{16}"$

H: 570 mm • W: 547 mm • D: 545 mm

## BCK330050M

### DIMENSIONS + CUT-OUTS

#### OVEN DIMENSIONS (BODY)

- H: 22<sup>7/16</sup>" • W: 21<sup>9/16</sup>" • D: 21<sup>7/16</sup>"
- H: 570 mm • W: 547 mm • D: 545 mm

#### CUT-OUT DIMENSIONS

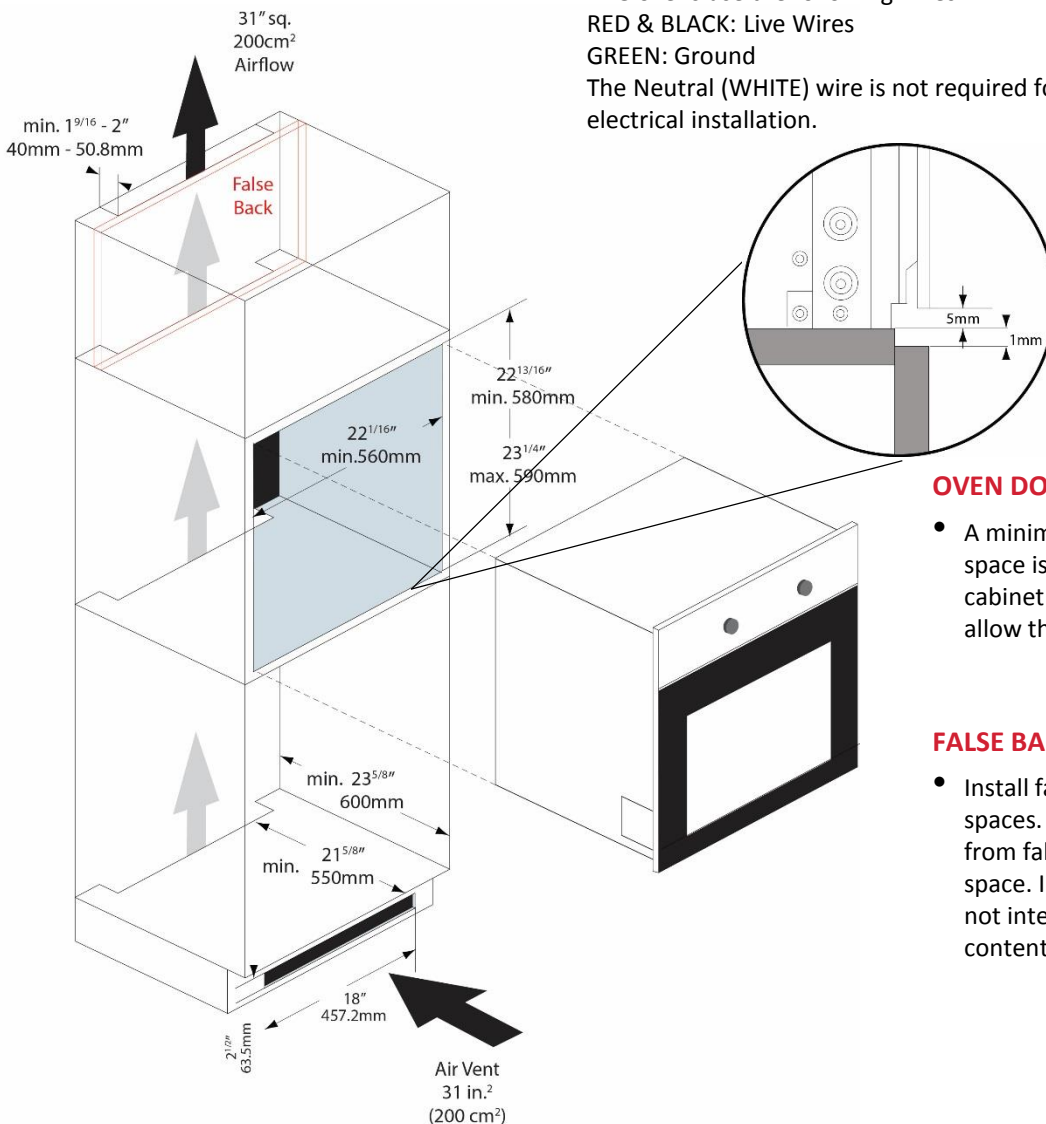
- H: min. 22<sup>13/16</sup>" x W: min. 22<sup>1/16</sup>" x D: 23<sup>5/8</sup>"
- H: min. 580mm x W: min. 560mm x D: 600mm

#### ELECTRICAL REQUIREMENTS

- 208/230 Volt, 60Hz, 20 AMP, 3500W

#### \*IMPORTANT\*

- AEG ovens are supplied with a 5' long electrical cable and must be hard wired to the electrical supply
- AEG ovens use the following wires:  
RED & BLACK: Live Wires  
GREEN: Ground  
The Neutral (WHITE) wire is not required for the electrical installation.



#### OVEN DOOR CLEARANCE

- A minimum of 1mm of clearance space is needed above the cabinet or appliance below to allow the oven door to open

#### FALSE BACKS

- Install false backs for storage spaces. This will prevent contents from falling through the vent space. In addition, warm air will not interfere with your stored contents

## BCK330050M

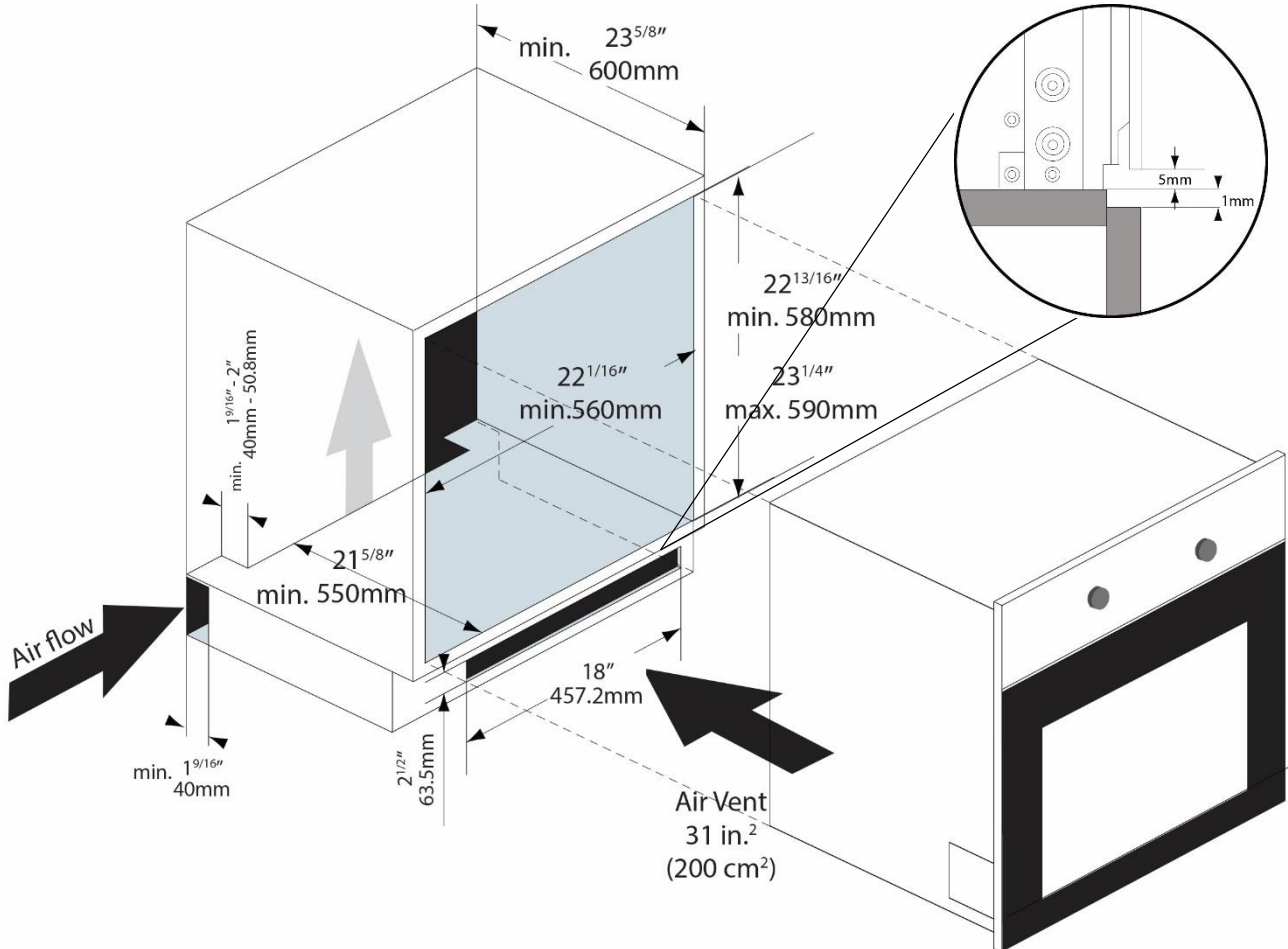
### DIMENSIONS + CUT-OUTS

#### AIR FLOW REQUIREMENTS

- If the oven is being placed under the counter, there must be a minimum gap of  $1\frac{9}{16}$ " (4cm) cut out of the shelf behind the oven to allow air to flow freely.
- If sufficient air flow is not provided, the life of the appliance will be shortened.
- Cut-out in the toe kick is required for adequate air flow.
- Optional bottom vent grill (7427640) available.

#### OVEN DOOR CLEARANCE

- A minimum of 1mm of clearance space is needed above the cabinet or appliance below to allow the oven door to open



# AEG

AEG Appliances are designed and manufactured to the highest standards. Each appliance is covered by a comprehensive 2-year parts and labour warranty.

Refer to product warranty policy for complete terms and conditions.

## FOR PARTS AND SERVICE

Euro-Parts & Service

39822 Belgrave Road, Belgrave, ON. N0G 1E0

1 800 678 8352 (Canada) • 1 800 561 4614 (U.S.)

[www.euro-parts.ca](http://www.euro-parts.ca) • [parts@euro-parts.ca](mailto:parts@euro-parts.ca) • [service@euro-parts.ca](mailto:service@euro-parts.ca)

AEG appliances are imported and distributed in North America by Euro-Line Appliances Inc. For more information, please visit one of our showrooms or

[www.euro-line-appliances.com](http://www.euro-line-appliances.com)   [www.elawest.com](http://www.elawest.com)

## ***EURO-LINE APPLIANCES INC.***

871 Cranberry Court  
Oakville, ON L6L 6J7 Canada  
905 829 3980  
1 800 421 6332

[marketing@euro-line-appliances.com](mailto:marketing@euro-line-appliances.com)

## ***EURO-LINE APPLIANCES WEST INC.***

101-1014 Homer Street  
Vancouver, BC V6B 2W9 Canada  
604 235 3980  
1 855 ELA WEST (352 9378)

[info@elawest.com](mailto:info@elawest.com)

