

KKK884500M
24" Built-In Espresso Coffee
Machine

AEG

KKK884500M

24" Built-in Coffee Systems



ITALIAN STYLE ESPRESSO COFFEE AT HOME

Pre-programmed coffee including espresso, long and mug coffee.

FOR A TRUE CAPPUCCINO, WITH THE PERFECT PROPORTIONS OF MILK AND FOAM

To make a truly authentic cappuccino, use the cappuccino jug to steam and foam the milk to suit your own taste.

FEATURES

- 24" (60cm) Built-in anti-fingerprint stainless steel automatic coffee maker
- Prepares a range of beverages including espresso, lattes, and cappuccinos
- Electronic touch controls
- Pre-heating function
- Multi-cup jug
- Uses fresh coffee beans or ground coffee
- Coffee Taste Function to give you precise control over each cup
- Pre-programmed coffee selection
- Auto-start
- Removable 1.8L water tank
- Grinder capacity gr: 200
- Height adjustable coffee dispenser
- Drip tray
- LCD digital display
- Automatic self-cleans before every brew cycle
- Optimal trim kit for 30" installation, TK455

DIMENSIONS

- D: 14^{3/16}" x W: 23^{7/16}" x H: 17^{15/16}"
- D: 361mm x W: 595mm x H: 455mm

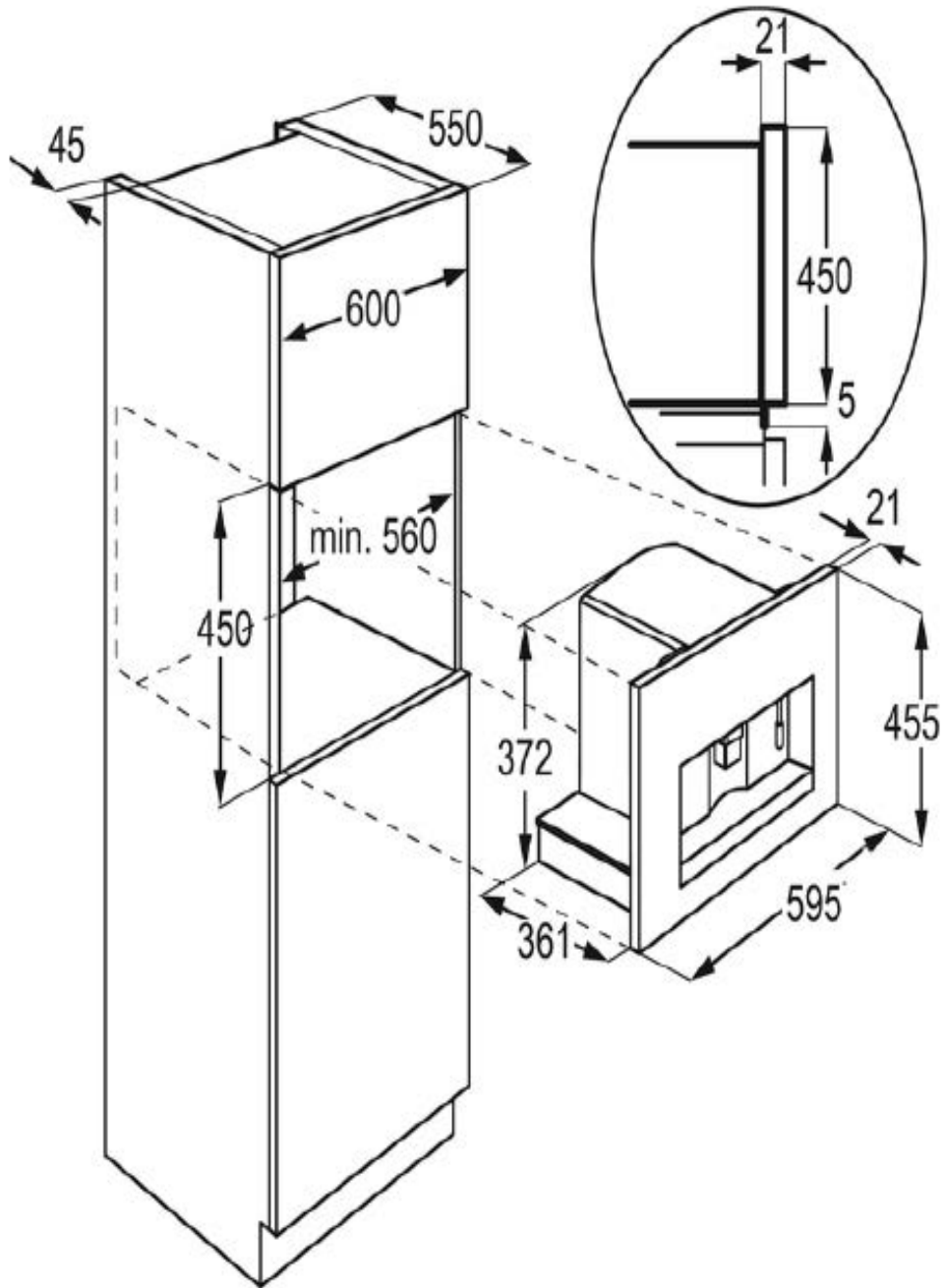
CUT-OUT DIMENSIONS

- D: 21^{5/8}" x W: 22^{1/16}" x H: 17^{3/4}"
- D: 550mm x W: min. 560mm x H: 450mm

ELECTRICAL REQUIREMENTS

- 208/240 Volts. 60Hz. 15 AMP
- 1350 Watts

KKK884500M Coffee Machine



AEG

AEG Appliances are designed and manufactured to the highest standards. Each appliance is covered by a comprehensive 2-year parts and labour warranty.

Refer to product warranty policy for complete terms and conditions.

FOR PARTS AND SERVICE

Euro-Parts & Service

39822 Belgrave Road, Belgrave, ON. N0G 1E0

1 800 678 8352 (Canada) • 1 800 561 4614 (U.S.)

www.euro-parts.ca • parts@euro-parts.ca • service@euro-parts.ca

AEG appliances are imported and distributed in North America by Euro-Line Appliances Inc. For more information, please visit one of our showrooms or

www.euro-line-appliances.com www.elawest.com

EURO-LINE APPLIANCES INC.

871 Cranberry Court
Oakville, ON L6L 6J7 Canada
905 829 3980
1 800 421 6332

marketing@euro-line-appliances.com

EURO-LINE APPLIANCES WEST INC.

101-1014 Homer Street
Vancouver, BC V6B 2W9 Canada
604 235 3980
1 855 ELA WEST (352 9378)

info@elawest.com

